

250 EXC EU
250 EXC SIX DAYS EU
250 EXC AUS
250 XC-W USA
300 EXC EU
300 EXC SIX DAYS EU
300 EXC AUS
300 XC-W USA
300 XC-W SIX DAYS USA

Art. no. 3206179en



KTM

Read this repair manual carefully and thoroughly before beginning work.

This vehicle can only fulfill the demands placed on it in the long run if the specified service work is performed regularly by qualified experts.

The repair manual was written to correspond to the most current state of this model series. We reserve the right to make changes in the interest of technical advancement without, at the same time, updating this repair manual.

We shall not provide a description of general workshop methods. Likewise, safety rules that apply in a workshop are not specified here. It is assumed that repair work will be performed by a fully trained mechanic.

All specifications are non-binding. KTM Sportmotorcycle AG specifically reserves the right to modify or delete technical specifications, prices, colors, forms, materials, services, designs, equipment, etc., without prior notice and without specifying reasons, to adapt these to local conditions, as well as to stop production of a particular model without prior notice. KTM accepts no liability for delivery options, deviations from illustrations and descriptions, as well as misprints and other errors. The models portrayed partly contain special equipment that does not belong to the regular scope of supply.

© 2013 KTM-Sportmotorcycle AG, Mattighofen Austria

All rights reserved

Reproduction, even in part, as well as copying of all kinds, is permitted only with the express written permission of the copyright owner.



ISO 9001(12 100 6061)

According to the international quality management standard ISO 9001, KTM uses quality assurance processes that lead to the maximum possible quality of the products.

Issued by: TÜV Management Service

REG.NO. 12 100 6061

KTM-Sportmotorcycle AG
5230 Mattighofen, Austria

TABLE OF CONTENTS

1	MEANS OF REPRESENTATION	6	6.2.6	Positioning the fork protection	34
1.1	Symbols used	6	6.2.7	Removing the fork legs	34
1.2	Formats used	6	6.2.8	Installing the fork legs	35
2	SAFETY ADVICE	7	6.2.9	Removing the fork protector	35
2.1	Repair Manual	7	6.2.10	Installing the fork protector	36
2.2	Safety advice	7	6.2.11	Performing a fork service	36
2.3	Degrees of risk and symbols	7	6.2.12	Disassembling the fork legs	36
2.4	Work rules	7	6.2.13	Removing the spring	38
3	IMPORTANT INFORMATION	8	6.2.14	Disassembling the cartridge	39
3.1	Guarantee, warranty	8	6.2.15	Disassembling the piston rod	40
3.2	Operating and auxiliary substances	8	6.2.16	Disassembling the hydrostop unit	41
3.3	Spare parts, accessories	8	6.2.17	Disassembling the seal ring retainer	42
3.4	Figures	8	6.2.18	Checking the fork legs	42
4	SERIAL NUMBERS	9	6.2.19	Assembling the seal ring retainer	43
4.1	Chassis number	9	6.2.20	Assembling the hydrostop unit	44
4.2	Type label	9	6.2.21	Assembling the piston rod	44
4.3	Engine number	9	6.2.22	Assembling the cartridge	46
4.4	Fork part number	9	6.2.23	Assembling the fork legs	47
4.5	Shock absorber part number	9	6.2.24	Greasing the steering head bearing	50
5	MOTORCYCLE	10	6.2.25	Removing the lower triple clamp	51
5.1	Raising the motorcycle with the lift stand	10	6.2.26	Installing the lower triple clamp	51
5.2	Removing the motorcycle from the lift stand	10	6.2.27	Checking the play of the steering head bearing	53
5.3	Starting	10	6.2.28	Adjusting the play of the steering head bearing	53
5.4	Starting the motorcycle for checking	11	7	HANDLEBAR, CONTROLS	54
6	FORK, TRIPLE CLAMP	12	7.1	Handlebar position	54
6.1	EXC EU/AUS, XC-W	12	7.2	Adjusting the handlebar position	54
6.1.1	Adjusting the compression damping of the fork	12	7.3	Adjusting the basic position of the clutch lever	54
6.1.2	Adjusting the rebound damping of the fork	12	7.4	Checking the routing of the throttle cable	55
6.1.3	Adjusting the spring preload of the fork	12	7.5	Checking the play in the throttle cable	55
6.1.4	Bleeding the fork legs	13	7.6	Adjusting the play in the throttle cable	56
6.1.5	Cleaning the dust boots of the fork legs	13	8	FRAME	57
6.1.6	Loosening the fork protection	14	8.1	Removing the engine guard (250/300 SIX DAYS)	57
6.1.7	Positioning the fork protection	14	8.2	Installing the engine guard (250/300 SIX DAYS)	57
6.1.8	Removing the fork legs	14	9	SHOCK ABSORBER, SWINGARM	58
6.1.9	Installing the fork legs	14	9.1	Adjusting the high-speed compression damping of the shock absorber	58
6.1.10	Removing the fork protector	15	9.2	Adjusting the low-speed compression damping of the shock absorber	58
6.1.11	Installing the fork protector	15	9.3	Adjusting the rebound damping of the shock absorber	59
6.1.12	Performing a fork service	16	9.4	Measuring the sag of the unloaded rear wheel	59
6.1.13	Disassembling the fork legs	16	9.5	Checking the static sag of the shock absorber	59
6.1.14	Cartridge disassembly	19	9.6	Checking the riding sag of the shock absorber	60
6.1.15	Disassembling the compression damping fitting	21	9.7	Adjusting the spring preload of the shock absorber	60
6.1.16	Checking the fork legs	21	9.8	Adjusting the riding sag	61
6.1.17	Assembling the compression damping fitting	22	9.9	Removing the shock absorber	61
6.1.18	Assembling the cartridge	23	9.10	Installing the shock absorber	61
6.1.19	Assembling the fork legs	24	9.11	Servicing the shock absorber	62
6.1.20	Greasing the steering head bearing	29	9.12	Removing the spring	62
6.1.21	Removing the lower triple clamp	29	9.13	Disassembling the damper	63
6.1.22	Installing the lower triple clamp	30	9.14	Disassembling the piston rod	64
6.1.23	Checking the play of the steering head bearing	31	9.15	Disassembling the seal ring retainer	65
6.1.24	Adjusting the play of the steering head bearing	32	9.16	Replacing the pilot bushing	66
6.2	250/300 SIX DAYS	32	9.17	Checking the damper	67
6.2.1	Adjusting the compression damping of the fork	32	9.18	Disassembling the rebound adjuster	67
6.2.2	Adjusting the rebound damping of the fork	33	9.19	Removing the heim joint	68
6.2.3	Bleeding the fork legs	33	9.20	Installing the heim joint	69
6.2.4	Cleaning the dust boots of the fork legs	33			
6.2.5	Loosening the fork protection	34			

TABLE OF CONTENTS

9.21	Assembling the rebound adjuster.....	70	15.5	Disconnecting the negative cable of the battery.....	102
9.22	Assembling the seal ring retainer.....	70	15.6	Connecting the negative cable of the battery....	103
9.23	Assembling the piston rod.....	71	15.7	Removing the battery	103
9.24	Assembling the damper	72	15.8	Installing the battery	104
9.25	Bleeding and filling the damper	75	15.9	Checking the charging voltage	104
9.26	Filling the damper with nitrogen.....	77	15.10	Checking the closed current.....	104
9.27	Installing the spring	78	15.11	Checking the starter relay	105
9.28	Changing the heim joint.....	79	16	BRAKE SYSTEM	106
10	EXHAUST	81	16.1	Checking the front brake linings	106
10.1	Removing the main silencer	81	16.2	Changing the front brake linings.....	106
10.2	Installing the main silencer.....	81	16.3	Checking the free travel of the hand brake lever	108
10.3	Changing the glass fiber yarn filling of the main silencer.....	81	16.4	Adjusting free travel of hand brake lever (All 250/300 EXC models).....	108
11	AIR FILTER	83	16.5	Adjusting the basic position of the hand brake lever (all 250/300 XC-W)	108
11.1	Removing the air filter box lid	83	16.6	Checking the front brake fluid level	109
11.2	Installing the air filter box lid	83	16.7	Adding front brake fluid.....	109
11.3	Removing the air filter.....	83	16.8	Changing the front brake fluid.....	110
11.4	Installing the air filter.....	83	16.9	Checking the rear brake linings	111
11.5	Cleaning the air filter and air filter box.....	84	16.10	Changing the brake linings of the rear brake	112
11.6	Sealing the air filter box	84	16.11	Checking the free travel of foot brake lever	113
12	FUEL TANK, SEAT, TRIM	85	16.12	Adjusting the basic position of the foot brake lever	113
12.1	Opening the filler cap.....	85	16.13	Checking the rear brake fluid level.....	114
12.2	Closing the filler cap	85	16.14	Adding brake fluid for the rear brake.....	114
12.3	Removing the seat	85	16.15	Changing the rear brake fluid	115
12.4	Mounting the seat	86	17	LIGHTING SYSTEM, INSTRUMENTS	117
12.5	Removing the fuel tank.....	86	17.1	Checking the headlight setting	117
12.6	Installing the fuel tank	87	17.2	Adjusting the headlight range.....	117
12.7	Fuel tap	88	17.3	EXC EU/AUS, XC-W.....	117
13	MASK, FENDER.....	89	17.3.1	Speedometer overview.....	117
13.1	Removing the front fender	89	17.3.2	Activation and test.....	118
13.2	Installing the front fender	89	17.3.3	Setting kilometers or miles	118
13.3	Removing the headlight mask with the headlight.....	89	17.3.4	Adjusting the speedometer functions	118
13.4	Refitting the headlight mask with the headlight.....	90	17.3.5	Setting the clock	119
14	WHEELS	91	17.3.6	Activating the additional functions	119
14.1	Checking the tire air pressure.....	91	17.3.7	Setting the wheel circumference	120
14.2	Checking the tire condition	91	17.3.8	Querying lap time	120
14.3	Checking the brake discs	92	17.4	250/300 SIX DAYS	121
14.4	Checking the spoke tension.....	92	17.4.1	Speedometer overview.....	121
14.5	Front wheel	93	17.4.2	Activation and test.....	121
14.5.1	Removing the front wheel	93	17.4.3	Setting kilometers or miles	121
14.5.2	Installing the front wheel	93	17.4.4	Setting the speedometer functions	122
14.5.3	Removing the brake disc of the front brake....	94	17.4.5	Setting the clock	122
14.5.4	Installing the brake disc of the front brake	94	17.4.6	Setting the wheel circumference	123
14.6	Rear wheel	94	17.4.7	Viewing the lap time	123
14.6.1	Removing the rear wheel	94	18	ENGINE	124
14.6.2	Installing the rear wheel	95	18.1	Removing the engine.....	124
14.6.3	Removing the brake disc of the rear brake	96	18.2	Installing the engine.....	128
14.6.4	Installing the brake disc of the rear brake.....	96	18.3	Engine disassembly.....	133
14.6.5	Checking the chain for dirt	96	18.3.1	Clamping the engine into the engine work stand.....	133
14.6.6	Cleaning the chain.....	97	18.3.2	Draining the gear oil.....	133
14.6.7	Checking the chain tension.....	97	18.3.3	Removing the clutch push rod.....	133
14.6.8	Checking the chain, rear sprocket, engine sprocket and chain guide.....	98	18.3.4	Removing the shift lever	133
14.6.9	Adjusting the chain tension	99	18.3.5	Removing the engine sprocket.....	133
15	WIRING HARNESS, BATTERY.....	101	18.3.6	Removing the spacer.....	134
15.1	Plug-in connection, ignition timing map.....	101	18.3.7	Removing the starter motor.....	134
15.2	Removing the main fuse	101	18.3.8	Removing the kick starter	135
15.3	Installing the main fuse	101	18.3.9	Removing the cylinder head.....	136
15.4	Recharging the battery	101			

18.3.10	Removing the cylinder	136	18.5.7	Installing the reed valve housing	172
18.3.11	Removing the piston	137	18.5.8	Installing the rotor	172
18.3.12	Removing the water pump cover	138	18.5.9	Installing the locking lever	173
18.3.13	Removing the clutch cover	138	18.5.10	Installing the shift drum locating unit	173
18.3.14	Removing the clutch discs	138	18.5.11	Installing the shift shaft	173
18.3.15	Removing the clutch basket	139	18.5.12	Installing the intermediate kick starter gear	173
18.3.16	Removing the kick starter shaft	140	18.5.13	Installing the kick starter shaft	173
18.3.17	Removing the intermediate kick starter gear	140	18.5.14	Installing the clutch basket	174
18.3.18	Removing the shift shaft	141	18.5.15	Installing the clutch discs	175
18.3.19	Removing the shift drum locating unit	141	18.5.16	Installing the clutch cover	176
18.3.20	Removing the locking lever	141	18.5.17	Installing the water pump cover	177
18.3.21	Removing the rotor	141	18.5.18	Installing the piston	177
18.3.22	Removing the reed valve housing	142	18.5.19	Installing the cylinder	178
18.3.23	Removing the left engine case section	142	18.5.20	Checking the X-distance	179
18.3.24	Removing the shift rails	142	18.5.21	Adjusting the X-distance	180
18.3.25	Removing the shift drum	143	18.5.22	Adjusting the Z-distance	180
18.3.26	Removing the shift forks	143	18.5.23	Installing the cylinder head	182
18.3.27	Removing the transmission shafts	143	18.5.24	Installing the kick starter	182
18.3.28	Removing the crankshaft	143	18.5.25	Installing the starter motor	182
18.4	Work on individual parts	144	18.5.26	Installing the spacer	184
18.4.1	Work on the right section of the engine case	144	18.5.27	Installing the engine sprocket	184
18.4.2	Work on the left section of the engine case	145	18.5.28	Installing the shift lever	184
18.4.3	Removing the crankshaft bearing inner race	145	18.5.29	Installing the clutch push rod	185
18.4.4	Installing the crankshaft bearing inner race	146	18.5.30	Installing the gear oil drain plug	185
18.4.5	Changing the connecting rod, conrod bearing, and crank pin	146	18.5.31	Removing the engine from the work stand ..	185
18.4.6	Checking the crankshaft run-out at the bearing pin	147	19	CARBURETOR	186
18.4.7	Checking/measuring the cylinder	147	19.1	Choke	186
18.4.8	Removing the exhaust control	148	19.2	Carburetor - adjusting the idle speed	186
18.4.9	Checking the exhaust control	150	19.3	Emptying the carburetor float chamber	187
18.4.10	Installing the exhaust control	150	19.4	Removing the carburetor	187
18.4.11	Cylinder - Nikasil® coating	152	19.5	Installing the carburetor	188
18.4.12	Checking/measuring the piston	153	19.6	Checking/adjusting the carburetor components	189
18.4.13	Checking the piston ring end gap	154	19.7	Disassembling the carburetor	190
18.4.14	Piston/cylinder - measuring the mounting clearance	154	19.8	Checking the choke slide	191
18.4.15	Checking the reed valve housing, reed valve, and intake flange	155	19.9	Checking the jet needle	191
18.4.16	Work on the clutch cover	155	19.10	Checking the throttle slide	191
18.4.17	Checking the clutch	159	19.11	Checking the float needle valve	192
18.4.18	Preassembling the shift shaft	160	19.12	Assembling the carburetor	192
18.4.19	Checking the shift mechanism	161	19.13	Checking/adjusting the float level	193
18.4.20	Disassembling the main shaft	162	20	CLUTCH	194
18.4.21	Disassembling the countershaft	163	20.1	Checking/correcting the fluid level of the hydraulic clutch	194
18.4.22	Checking the transmission	163	20.2	Changing the hydraulic clutch fluid	194
18.4.23	Assembling the main shaft	164	21	WATER PUMP, COOLING SYSTEM	195
18.4.24	Assembling the countershaft	165	21.1	Cooling system	195
18.4.25	Checking the kick starter	167	21.2	Checking the antifreeze and coolant level	195
18.4.26	Preassembling the kick starter shaft	167	21.3	Checking the coolant level	195
18.4.27	Checking the electric starter drive	169	21.4	Draining the coolant	196
18.5	Engine assembly	170	21.5	Refilling with coolant	196
18.5.1	Installing the crankshaft	170	22	EXHAUST CONTROL	198
18.5.2	Installing the transmission shafts	170	22.1	Engine characteristic - setting the auxiliary spring	198
18.5.3	Installing the shift forks	171	23	LUBRICATION SYSTEM	199
18.5.4	Installing the shift drum	171	23.1	Changing the gear oil	199
18.5.5	Installing the shift rails	171	23.2	Draining the gear oil	199
18.5.6	Installing the left engine case section	171	23.3	Refilling with gear oil	200
			23.4	Checking the gear oil level	200
			23.5	Adding gear oil	200
			24	IGNITION SYSTEM	202
			24.1	Checking the ignition system	202

TABLE OF CONTENTS

24.2	Ignition coil - checking the primary winding.....	202	30.6	Page 1 of 5 (250 EXC SIX DAYS EU, 300 EXC SIX DAYS EU).....	236
24.3	Ignition coil - checking the secondary winding.....	203	30.7	Page 2 of 5 (250 EXC SIX DAYS EU, 300 EXC SIX DAYS EU).....	238
24.4	Checking the spark plug connector	203	30.8	Page 3 of 5 (250 EXC SIX DAYS EU, 300 EXC SIX DAYS EU).....	240
24.5	Alternator - checking the charging coil of the ignition	204	30.9	Page 4 of 5 (250 EXC SIX DAYS EU, 300 EXC SIX DAYS EU).....	242
24.6	Alternator - checking the battery winding	204	30.10	Page 5 of 5 (250 EXC SIX DAYS EU, 300 EXC SIX DAYS EU).....	244
24.7	Alternator - checking the light winding.....	205	30.11	Page 1 of 5 (250/300 EXC AUS).....	246
24.8	Checking the ignition pulse generator	205	30.12	Page 2 of 5 (250/300 EXC AUS).....	248
24.9	Removing the stator and crankshaft position sensor.....	206	30.13	Page 3 of 5 (250/300 EXC AUS).....	250
24.10	Installing the stator and crankshaft position sensor.....	206	30.14	Page 4 of 5 (250/300 EXC AUS).....	252
25	ELECTRIC STARTER	207	30.15	Page 5 of 5 (250/300 EXC AUS).....	254
25.1	Checking the starter motor	207	30.16	Page 1 of 3 (250 XC-W USA, 300 XC-W USA).....	256
26	TECHNICAL DATA.....	208	30.17	Page 2 of 3 (250 XC-W USA, 300 XC-W USA).....	258
26.1	Engine	208	30.18	Page 3 of 3 (250 XC-W USA, 300 XC-W USA).....	260
26.1.1	All 250 models.....	208	30.19	Page 1 of 3 (300 XC-W SIX DAYS USA)	262
26.1.2	All 300 models.....	208	30.20	Page 2 of 3 (300 XC-W SIX DAYS USA)	264
26.2	Engine tolerance, wear limits	209	30.21	Page 3 of 3 (300 XC-W SIX DAYS USA)	266
26.3	Engine tightening torques	210	31	SUBSTANCES	268
26.4	Capacities	210	32	AUXILIARY SUBSTANCES	270
26.4.1	Gear oil.....	210	33	SPECIAL TOOLS	272
26.4.2	Coolant.....	210	34	STANDARDS	282
26.4.3	Fuel	211	INDEX.....		283
26.5	Chassis	211			
26.6	Electrical system.....	212			
26.7	Tires.....	212			
26.8	Fork.....	212			
26.8.1	EXC EU/AUS, XC-W.....	212			
26.8.2	250/300 SIX DAYS.....	213			
26.9	Shock absorber.....	213			
26.10	Chassis tightening torques	214			
26.11	Carburetor	215			
26.11.1	250 EXC EU, 250 EXC SIX DAYS EU	215			
26.11.2	250 EXC AUS	215			
26.11.3	250 XC-W USA.....	215			
26.11.4	300 EXC EU, 300 EXC SIX DAYS EU	215			
26.11.5	300 EXC AUS	216			
26.11.6	300 XC-W USA, 300 XC-W SIX DAYS USA.....	216			
26.12	Carburetor tuning.....	217			
26.12.1	Carburetor tuning (All 250 models)	217			
26.12.2	Carburetor tuning (All 300 models)	218			
26.12.3	General carburetor tuning	219			
27	CLEANING, CARE	220			
27.1	Cleaning the motorcycle	220			
27.2	Checks and maintenance steps for winter operation.....	221			
28	STORAGE.....	222			
28.1	Storage	222			
28.2	Preparing for use after storage.....	222			
29	SERVICE SCHEDULE	223			
29.1	Service schedule.....	223			
29.2	Service work (as additional order)	224			
30	WIRING DIAGRAM	226			
30.1	Page 1 of 5 (250 EXC EU, 300 EXC EU).....	226			
30.2	Page 2 of 5 (250 EXC EU, 300 EXC EU).....	228			
30.3	Page 3 of 5 (250 EXC EU, 300 EXC EU).....	230			
30.4	Page 4 of 5 (250 EXC EU, 300 EXC EU).....	232			
30.5	Page 5 of 5 (250 EXC EU, 300 EXC EU).....	234			

1.1 Symbols used

The meaning of specific symbols is described below.



Indicates an expected reaction (e.g. of a work step or a function).



Indicates an unexpected reaction (e.g. of a work step or a function).



Indicates a page reference (more information is provided on the specified page).



Indicates information with more details or tips.



Indicates the result of a testing step.



Denotes a voltage measurement.



Denotes a current measurement.



Denotes a resistance measurement.

1.2 Formats used

The typographical formats used in this document are explained below.

Proprietary name Identifies a proprietary name.

Name[®] Identifies a protected name.

Brand[™] Identifies a trademark.

2.1 Repair Manual

Read this Repair Manual carefully and thoroughly before beginning work. It contains useful information and tips that will help you repair and maintain your vehicle.

This manual assumes that the necessary special KTM tools and KTM workplace and workshop equipment are available.

2.2 Safety advice

A number of safety instructions need to be followed to operate the vehicle safely. Therefore, read this manual carefully. The safety instructions are highlighted in the text and are referred to at the relevant passages.



Info

The vehicle has various information and warning labels at prominent locations. Do not remove information/warning labels. If they are missing, you or others may not recognize dangers and may therefore be injured.

2.3 Degrees of risk and symbols



Danger

Identifies a danger that will immediately and invariably lead to fatal or serious permanent injury if the appropriate measures are not taken.



Warning

Identifies a danger that is likely to lead to fatal or serious injury if the appropriate measures are not taken.



Caution

Identifies a danger that may lead to minor injuries if the appropriate measures are not taken.

Note

Identifies a danger that will lead to considerable machine and material damage if the appropriate measures are not taken.



Warning

Identifies a danger that will lead to environmental damage if the appropriate measures are not taken.

2.4 Work rules

Special tools are necessary for certain tasks. The tools are not contained in the vehicle but can be ordered under the number in parentheses. E.g.: bearing puller (15112017000)

During assembly, non-reusable parts (e.g. self-locking screws and nuts, seals and seal rings, O-rings, pins, lock washers) must be replaced by new parts.

In some instances, a thread locker (e.g. **Loctite**®) is required. The manufacturer instructions for use must be followed.

After disassembly, clean the parts that are to be reused and check them for damage and wear. Change damaged or worn parts.

After you complete the repair or service work, check the operating safety of the vehicle.

3.1 Guarantee, warranty

The work prescribed in the service schedule must be carried out by an authorized KTM workshop only and confirmed in the customer's Service & Warranty Booklet and in the **KTM dealer.net**; otherwise, all warranty claims will be void. No warranty claims can be considered for damage resulting from manipulations and/or alterations to the vehicle.

Additional information on the guarantee or warranty and the procedures involved can be found in the Service & Warranty Booklet.

3.2 Operating and auxiliary substances



Warning

Environmental hazard Improper handling of fuel is a danger to the environment.

- Do not allow fuel to get into the ground water, the ground, or the sewage system.

Use operating and auxiliary substances (such as fuel and lubricants) as specified in the Owner's Manual.

3.3 Spare parts, accessories

Only use spare parts and accessories approved and/or recommended by KTM. KTM accepts no liability for other products and any resulting damage or loss.

The current **KTM PowerParts** for your vehicle can be found on the KTM website.

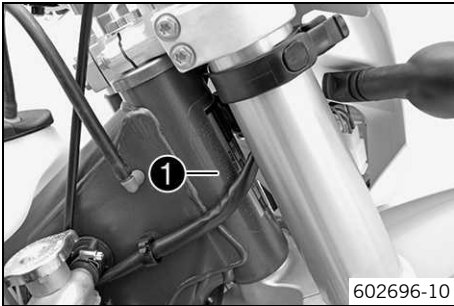
International KTM Website: <http://www.ktm.com>

3.4 Figures

The figures contained in the manual may depict special equipment.

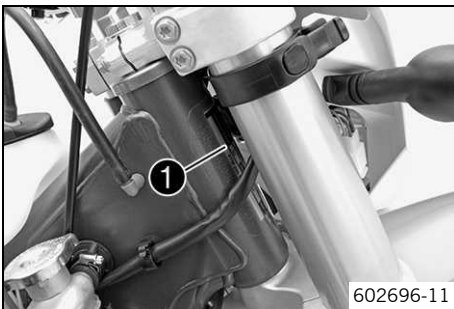
In the interest of clarity, some components may be shown disassembled or may not be shown at all. It is not always necessary to disassemble the component to perform the activity in question. Please follow the instructions in the text.

4.1 Chassis number



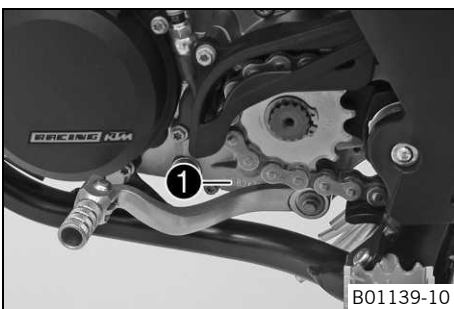
The chassis number ❶ is stamped on the right side of the steering head.

4.2 Type label



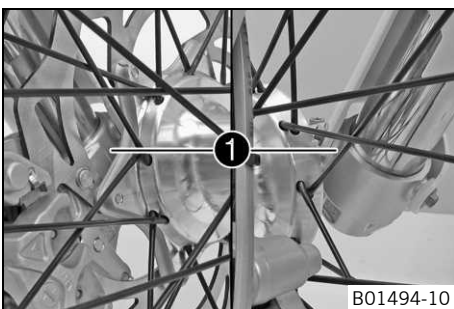
The type label ❶ is fixed to the front of the steering head.

4.3 Engine number



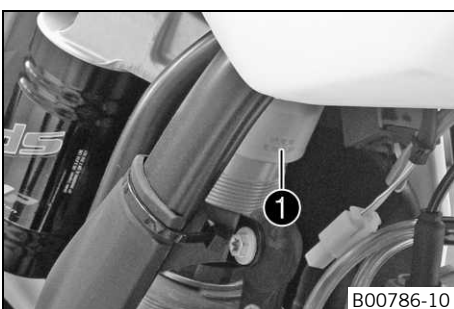
The engine number ❶ is stamped on the left side of the engine under the engine sprocket.

4.4 Fork part number



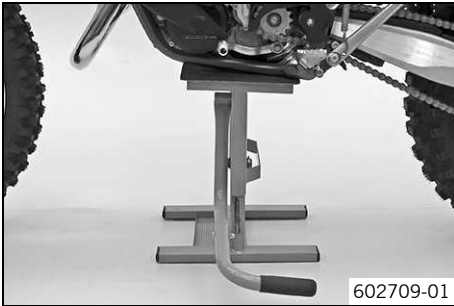
The fork part number ❶ is stamped on the inner side of the fork stub.

4.5 Shock absorber part number



The shock absorber part number ❶ is stamped on the top of the shock absorber above the adjusting ring on the engine side.

5.1 Raising the motorcycle with the lift stand



Note

Danger of damage The parked vehicle may roll away or fall over.

- Always place the vehicle on a firm and even surface.

- Raise the motorcycle at the frame underneath the engine.

Lift stand (54829055000) (☛ p. 273)

- ✓ The wheels must no longer touch the ground.

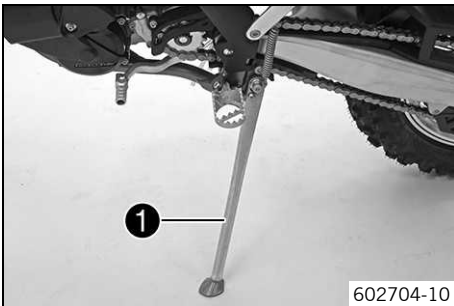
- Secure the motorcycle against falling over.

5.2 Removing the motorcycle from the lift stand

Note

Danger of damage The parked vehicle may roll away or fall over.

- Always place the vehicle on a firm and even surface.



- Remove the motorcycle from the lift stand.

- Remove the lift stand.

- To park the motorcycle, press side stand ❶ to the ground with your foot and lean the motorcycle on it.

Info

When you are riding, the side stand must be folded up and secured with the rubber band.

5.3 Starting



Danger

Danger of poisoning Exhaust gases are toxic and inhaling them may result in unconsciousness and/or death.

- When running the engine, always make sure there is sufficient ventilation, and do not start or run the engine in an enclosed space without an effective exhaust extraction system.

Note

Engine failure High engine speeds in cold engines have a negative effect on the service life of the engine.

- Always warm up the engine at low engine speeds.



Info

If the motorcycle does not start easily, there may be old fuel in the float chamber. The easily ignitable components of the fuel evaporate during lengthy periods of disuse.

When the float chamber is filled with fresh, ignitable fuel, the engine will start immediately.

Motorcycle standstill of more than 1 week

- Empty the carburetor float chamber. (☛ p. 187)
- Turn handle ❶ of the fuel tap to the **ON** position. (Figure 602702-10☛ p. 88)
- ✓ Fuel can flow from the fuel tank to the carburetor.
- Take the motorcycle off of the stand.
- Shift gear to neutral.

(250/300 EXC AUS)

- Turn the emergency OFF switch to the position ○.

The engine is cold


- Pull out the choke lever all the way.
- Press the electric starter button or press the kick starter robustly through its full range.



Info


Do not turn the throttle.

5.4 Starting the motorcycle for checking

-  **Danger**
Danger of poisoning Exhaust gases are toxic and inhaling them may result in unconsciousness and/or death.
- When running the engine, always make sure there is sufficient ventilation, and do not start or run the engine in an enclosed space without an effective exhaust extraction system.

- Shift gear to neutral.

(250/300 EXC AUS)

- Turn the emergency OFF switch to the position .
- Press the electric starter button or press the kick starter robustly through its full range.

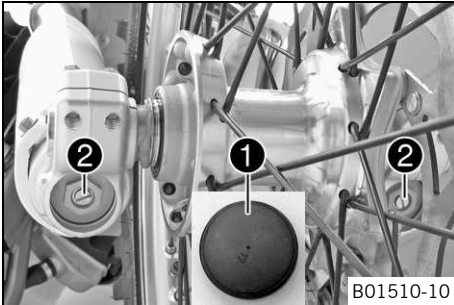
 **Info**

Do not open the throttle.
Press the starter for a maximum of 5 seconds. Wait for a least 5 seconds before trying again.

6.1 EXC EU/AUS, XC-W

6.1.1 Adjusting the compression damping of the fork

i Info
The hydraulic compression damping determines the fork suspension behavior.



- Remove protection caps ❶.
- Turn adjusting screws ❷ clockwise all the way.

i Info
Adjusting screws ❷ are located at the bottom end of the fork legs. Make the same adjustment on both fork legs.

- Turn back counterclockwise by the number of clicks corresponding to the fork type.

Guideline

Compression damping	
Comfort	22 clicks
Standard	20 clicks
Sport	18 clicks

i Info
Turn clockwise to increase damping; turn counterclockwise to reduce damping.

- Mount protection caps ❶.

6.1.2 Adjusting the rebound damping of the fork

i Info
The hydraulic rebound damping determines the fork suspension behavior.



- Turn adjusting screws ❶ clockwise all the way.

i Info
Adjusting screws ❶ are located at the top end of the fork legs. Make the same adjustment on both fork legs.

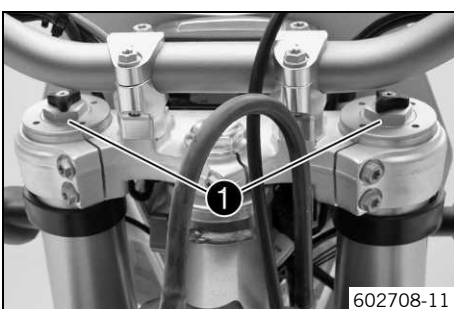
- Turn back counterclockwise by the number of clicks corresponding to the fork type.

Guideline

Rebound damping	
Comfort	20 clicks
Standard	18 clicks
Sport	16 clicks

i Info
Turn clockwise to increase damping; turn counterclockwise to reduce damping.

6.1.3 Adjusting the spring preload of the fork



- Turn the adjusting screws counterclockwise all the way.

i Info
Make the same adjustment on both fork legs.

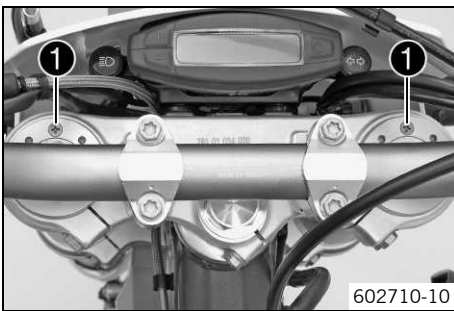
- Turn back clockwise by the number of turns corresponding to the fork type.

Guideline

Spring preload - Preload Adjuster	
Comfort	1 turn
Standard	2 turns
Sport	2 turns

i Info
 Turn clockwise to increase spring preload; turn counterclockwise to reduce spring preload.
 Adjusting the spring preload has no influence on the absorption setting of the rebound damping.
 Basically, however, you should set the rebound damping higher with a higher spring preload.

6.1.4 Bleeding the fork legs



Preparatory work

- Raise the motorcycle with the lift stand. (☛ p. 10)

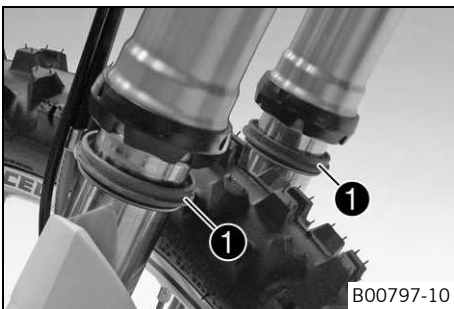
Main work

- Remove bleeder screws ❶ briefly.
- ✓ Any excess pressure escapes from the interior of the fork.
- Mount and tighten bleeder screws.

Finishing work

- Remove the motorcycle from the lift stand. (☛ p. 10)

6.1.5 Cleaning the dust boots of the fork legs



Preparatory work

- Raise the motorcycle with the lift stand. (☛ p. 10)
- Loosen the fork protection. (☛ p. 14)

Main work

- Push dust boots ❶ of both fork legs downwards.

i Info
 The dust boots remove dust and coarse dirt particles from the inside fork tubes. Over time, dirt can penetrate behind the dust boots. If this dirt is not removed, the oil seals behind can start to leak.

! Warning
Danger of accidents Reduced braking efficiency due to oil or grease on the brake discs.
 - Always keep the brake discs free of oil and grease, and clean them with brake cleaner when necessary.

- Clean and oil the dust boots and inner fork tube of both fork legs.

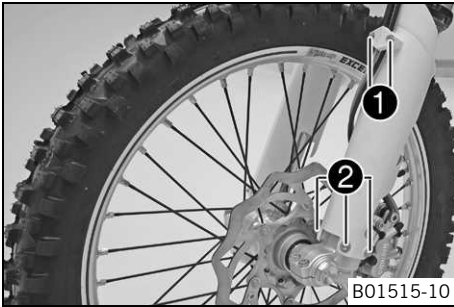
Universal oil spray (☛ p. 271)

- Press the dust boots back into their normal position.
- Remove excess oil.

Finishing work

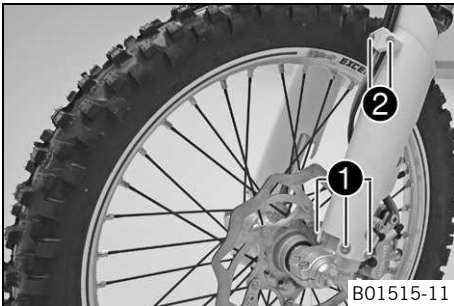
- Position the fork protection. (☛ p. 14)
- Remove the motorcycle from the lift stand. (☛ p. 10)

6.1.6 Loosening the fork protection



- Remove screws ❶ and take off the clamp.
- Remove screws ❷ on the left fork leg. Push the fork protection downwards.
- Remove the screws on the right fork leg. Push the fork protection downwards.

6.1.7 Positioning the fork protection



- Position the fork protection on the left fork leg. Mount and tighten screws ❶.

Guideline

Remaining screws, chassis	M6	10 Nm (7.4 lbf ft)
---------------------------	----	--------------------

- Position the brake line. Position the clamp and mount and tighten screws ❷.
- Position the fork protection on the right fork leg. Mount and tighten the screws.

Guideline

Remaining screws, chassis	M6	10 Nm (7.4 lbf ft)
---------------------------	----	--------------------

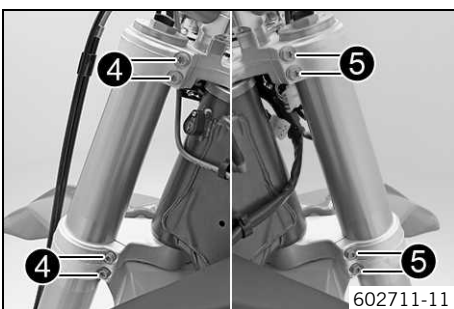
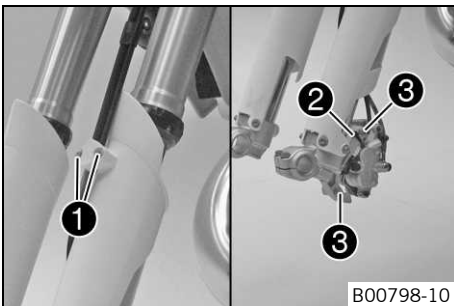
6.1.8 Removing the fork legs

Preparatory work

- Raise the motorcycle with the lift stand. (☛ p. 10)
- Remove the front wheel. (☛ p. 93)
- Remove the headlight mask with the headlight. (☛ p. 89)

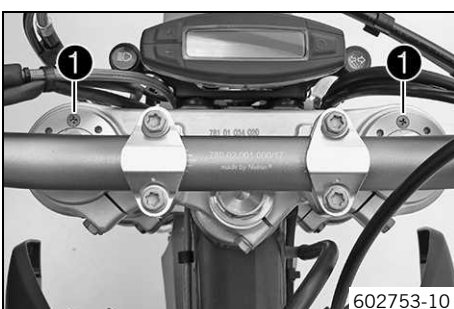
Main work

- Remove screws ❶ and take off the clamp.
- Remove cable binder ❷.
- Remove screws ❸ and take off the brake caliper.
- Hang the brake caliper and the brake line loosely to the side.



- Loosen screws ❹. Remove the fork leg on the left.
- Loosen screws ❺. Remove the fork leg on the right.

6.1.9 Installing the fork legs



Main work

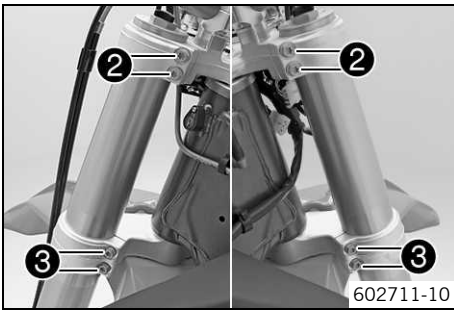
- Position the fork legs.



Info

Grooves are milled into the side of the upper end of the fork legs. The second milled groove (from the top) must be flush with the top edge of the upper triple clamp.

Position bleeder screws ❶ toward the front.



- Tighten screws 2.

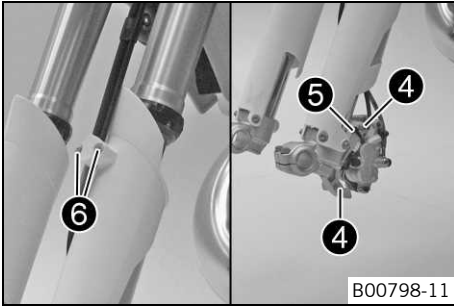
Guideline

Screw, top triple clamp	M8	20 Nm (14.8 lbf ft)
-------------------------	----	------------------------

- Tighten screws 3.

Guideline

Screw, bottom triple clamp	M8	15 Nm (11.1 lbf ft)
----------------------------	----	------------------------



- Position the brake caliper and mount and tighten screws 4.

Guideline

Screw, front brake caliper	M8	25 Nm (18.4 lbf ft)	Loctite® 243™
----------------------------	----	------------------------	---------------

- Mount cable binder 5.
- Position the brake line and wiring harness. Put the clamp on and mount and tighten screws 6.

Finishing work

- Install the front wheel. (☛ p. 93)
- Refit the headlight mask with the headlight. (☛ p. 90)
- Check the headlight setting. (☛ p. 117)

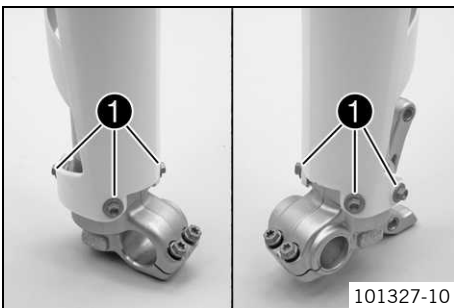
6.1.10 Removing the fork protector

Preparatory work

- Raise the motorcycle with the lift stand. (☛ p. 10)
- Remove the front wheel. (☛ p. 93)
- Remove the headlight mask with the headlight. (☛ p. 89)
- Remove the fork legs. (☛ p. 14)

Main work

- Remove screws 1 on the left fork leg. Lift off the fork protector.
- Remove the screws on the right fork leg. Lift off the fork protector.



6.1.11 Installing the fork protector

Main work

- Position the fork protection on the left fork leg. Mount and tighten screws 1.

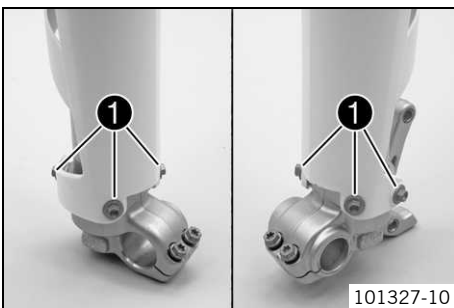
Guideline

Remaining screws, chassis	M6	10 Nm (7.4 lbf ft)
---------------------------	----	--------------------

- Position the fork protection on the right fork leg. Mount and tighten the screws.

Guideline

Remaining screws, chassis	M6	10 Nm (7.4 lbf ft)
---------------------------	----	--------------------



Finishing work

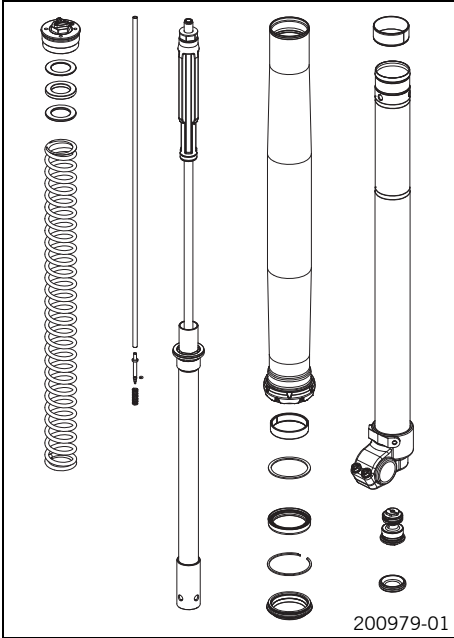
- Install the fork legs. (☛ p. 14)
- Install the front wheel. (☛ p. 93)
- Refit the headlight mask with the headlight. (☛ p. 90)
- Check the headlight setting. (☛ p. 117)

6.1.12 Performing a fork service



Info

These operations are the same on both fork legs.



Condition

The fork legs have been removed.

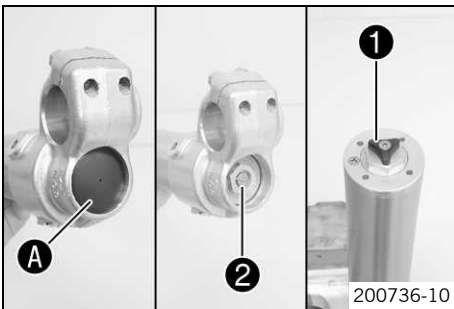
- Disassemble the fork legs. (☛ p. 16)
- Disassemble the cartridge. (☛ p. 19)
- Check the fork legs. (☛ p. 21)
- Assemble the cartridge. (☛ p. 23)
- Assemble the fork legs. (☛ p. 24)

6.1.13 Disassembling the fork legs



Info

The steps are identical for both fork legs.



Condition

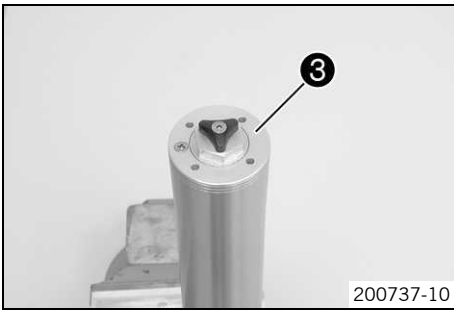
The fork legs are disassembled.

- Remove protective cover **A**.
- Note down the present state of rebound damping **1** and compression damping **2**.
- Note down of the present state of the spring preload.
- Completely open the adjusters of the rebound damping and compression damping.



- Clamp the fork leg in the area of lower triple clamp.

Clamping stand (T1403S) (☛ p. 279)



- Loosen **Preload Adjuster 3**.

Pin wrench (T103) (☛ p. 276)



Info

The **Preload Adjuster** cannot be taken off yet.

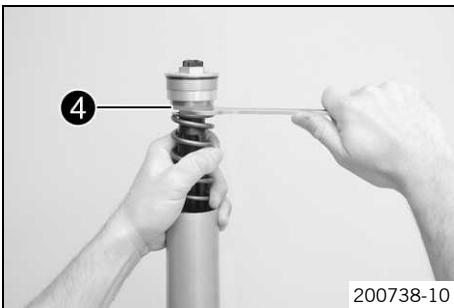


- Take out the fork leg and clamp with the axle clamp.



Info

Use soft jaws.



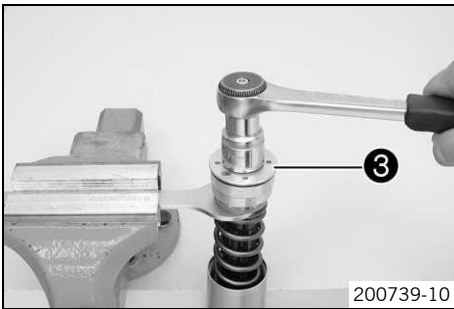
- Push the outer tube downward.
- Pull the spring downward. Place the special tool on the hexagonal part.

Open-end wrench (T14032) (☛ p. 279)

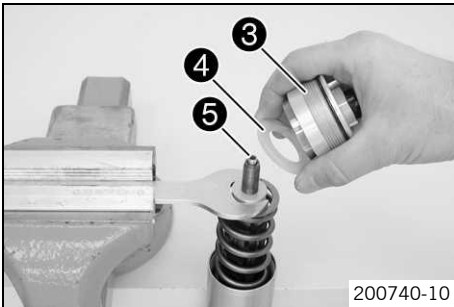


Info

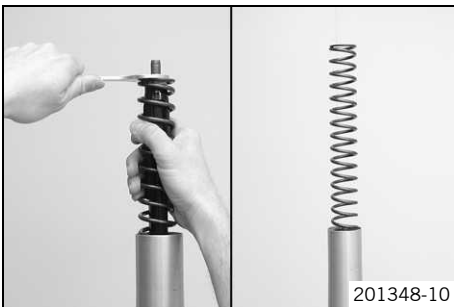
The preload spacers **4** should be above the special tool.



- Clamp the special tool in the bench vise. Loosen **Preload Adjuster 3**.



- Remove **Preload Adjuster 3** with preload spacers **4**.
- Remove adjustment tube **5**.



- Pull the spring downward. Remove the special tool.
- Remove the spring.

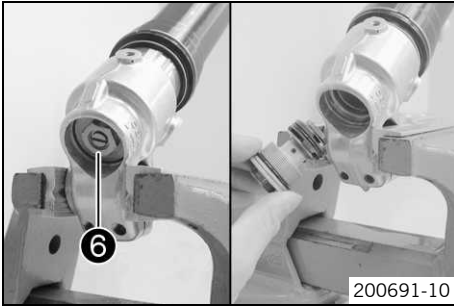


- Drain the fork oil.



Info

Pull out and push in the piston rod a few times to empty the cartridge.



- Clamp the fork leg with the axle clamp.

Guideline

Use soft jaws.

- Unscrew and remove the compression damping fitting 6.

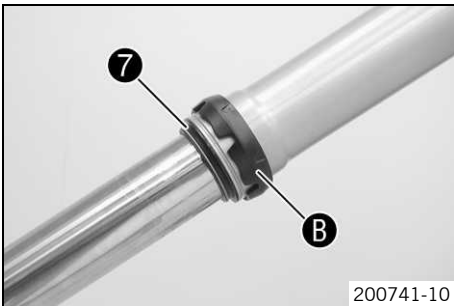


Info

Place a fluid collector beneath it, as usually some oil will drain out.



- Remove the cartridge.

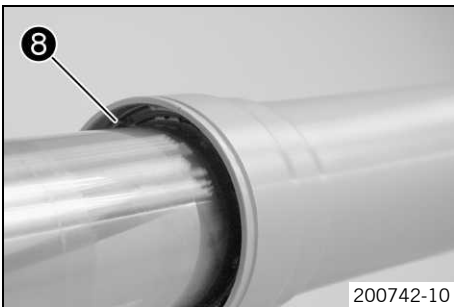


- Remove dust boot 7.
- Remove fork protector ring B.



Info

The fork protector ring does not necessarily need to be disassembled for the further repair.

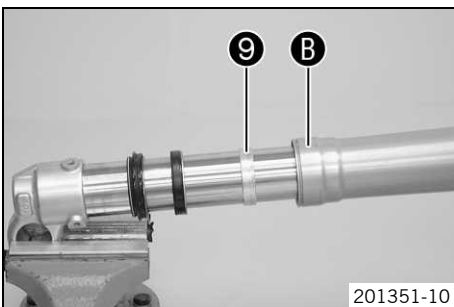


- Remove lock ring 8.



Info

The lock ring has a coarsely finished end against which the screwdriver can be placed.



- Warm up the outer tube in area B of the lower sliding bushing.

Guideline

50 °C (122 °F)

- Jerk the outer tube out of the inner tube.



Info

The lower sliding bushing 9 must be pulled out of its bearing seat when doing this.

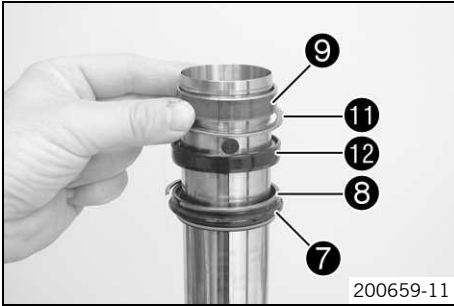


- Remove upper sliding bushing 10.



Info

Gently pull them apart without using any tool.



- Take off the lower sliding bushing 9.
- Take off support ring 11.
- Take off seal ring 12.
- Take off lock ring 8.
- Take off dust boot 7.
- Take out the fork leg.

6.1.14 Cartridge disassembly



Info

The steps are identical for both fork legs.

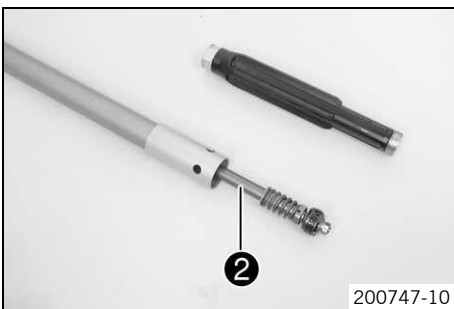
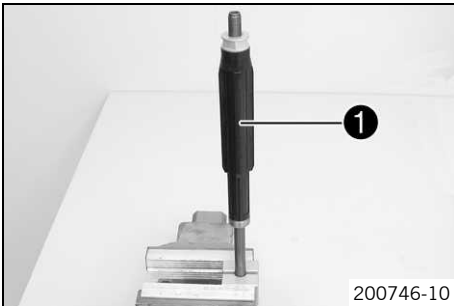
Preparatory work

- Disassemble the fork legs. (☛ p. 16)

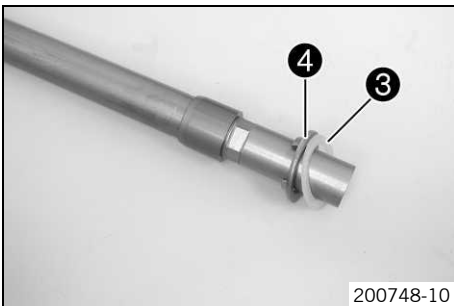
Main work

- Remove fluid barrier 1 from the piston rod.

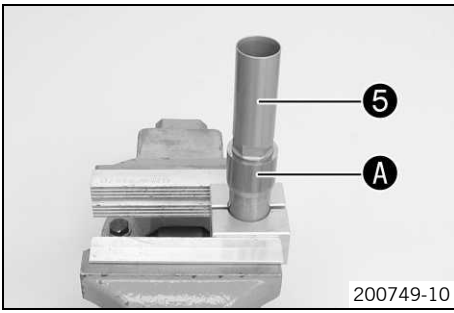
Clamping stand (T14016S) (☛ p. 279)



- Remove piston rod 2 from the cartridge.



- Remove washer 3 and spring seat 4 from the cartridge.



- Degrease the cartridge and clamp using the special tool.

Clamping stand (T14015S) (☛ p. 278)

- Warm up the cartridge in the area of **A**.

Guideline

50 °C (122 °F)

- Unscrew and remove screwsleeve **5**.

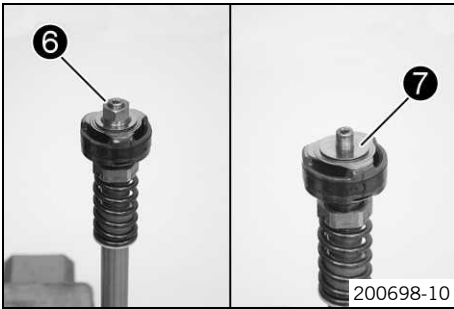


Info
This step is unnecessary for the further disassembly.

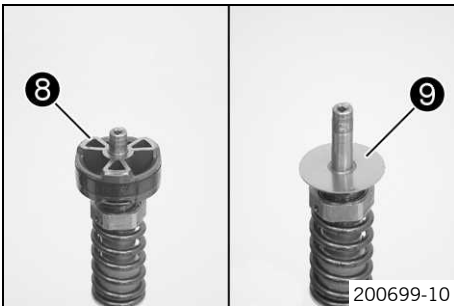


- Degrease the piston rod.
- Clamp the piston rod with the special tool.

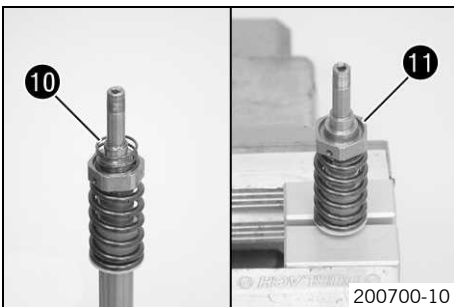
Clamping stand (T14016S) (☛ p. 279)



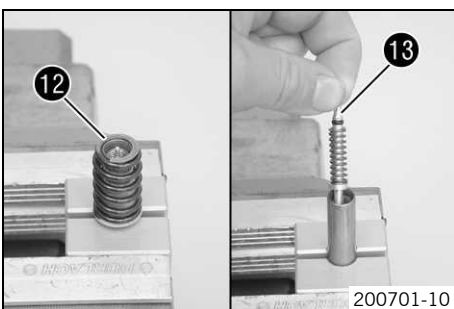
- Remove nut **6**.
- Remove shim stack **7** completely.



- Remove piston **8**.
- Remove shim stack **9** completely.



- Remove spring **10**.
- Remove tap rebound **11**.



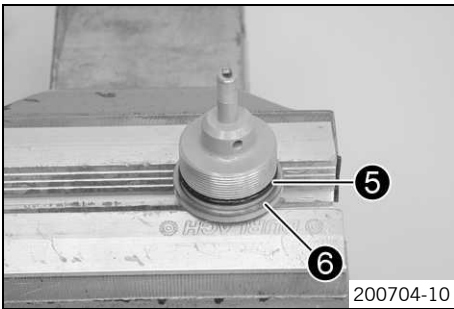
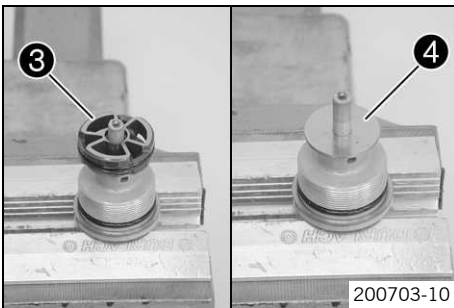
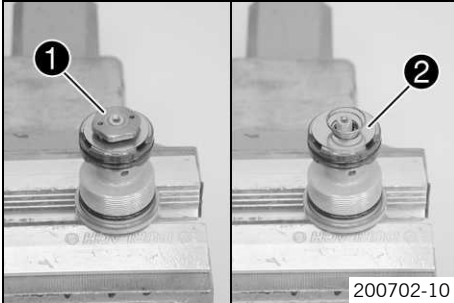
- Remove spring **12**.
- Remove valve **13** of the rebound damping together with the spring.
- Take out the piston rod.

6.1.15 Disassembling the compression damping fitting



Info

The steps are identical for both fork legs.



Preparatory work

- Disassemble the fork legs. (☛ p. 16)

Main work

- Clamp the compression damping fitting in a bench vise using soft jaws.
- Remove nut ①.
- Remove the spring.
- Remove washer ②.

- Remove piston ③.
- Remove shim stack ④.

- Remove O-ring ⑤ and seal ring ⑥ from the compression damping fitting.
- Extract the compression damping fitting.

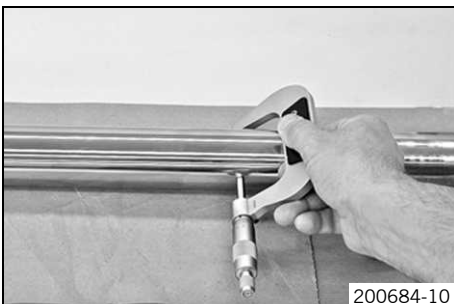
6.1.16 Checking the fork legs

Condition

The fork legs must be disassembled.



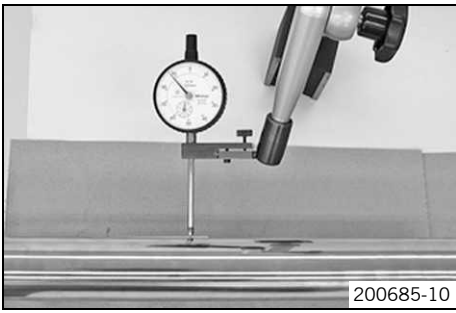
- Check the inner tube and axle clamp for damage.
 - » If there is damage:
 - Change the inner tube.



- Measure the outside diameter at several locations on the inner tube.

Outside diameter of the inner tube	47.975... 48.005 mm (1.88878... 1.88996 in)
------------------------------------	---

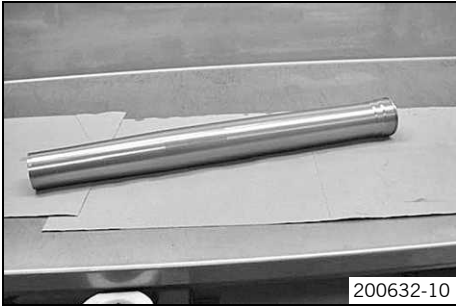
- » If the measured value is below the specified value:
 - Change the inner tube.



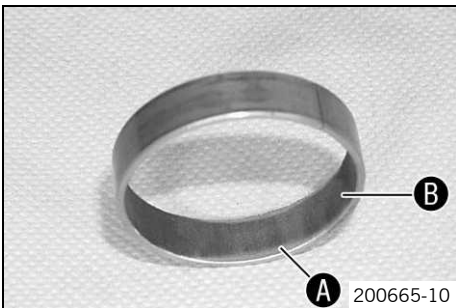
- Measure the run-out of the inner tube.

Inner tub run-out	≤ 0.20 mm (≤ 0.0079 in)
-------------------	-------------------------

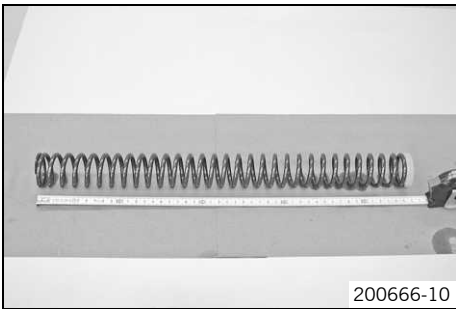
- » If the measured value is greater than the specified value:
 - Change the inner tube.



- Check the outer tube for damage.
 - » If there is damage:
 - Change the outer tube.



- Check the surface of the sliding bushing.
 - » If the bronze-colored layer **A** under the sliding layer **B** is visible:
 - Replace the sliding bushing.



- Check the spring length.

Guideline

Spring length with preload spacer(s)	
Weight of rider: 65... 75 kg (143... 165 lb.)	513 mm (20.2 in)
Weight of rider: 75... 85 kg (165... 187 lb.)	513 mm (20.2 in)
Weight of rider: 85... 95 kg (187... 209 lb.)	513 mm (20.2 in)

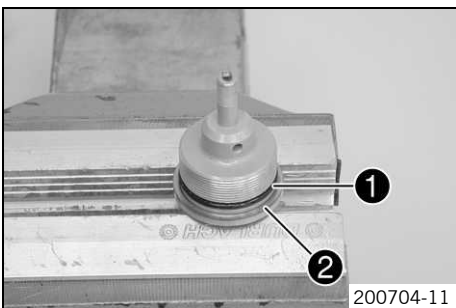
- » If the measured value is greater than the specified value:
 - Reduce the thickness of the preload spacer.
- » If the measured value is less than the specified value:
 - Increase the thickness of the preload spacer.

6.1.17 Assembling the compression damping fitting



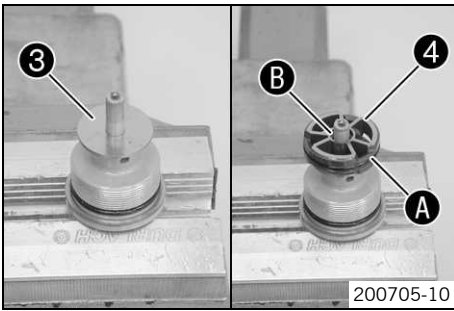
Info

The steps are identical for both fork legs.



- Clamp the compression damping fitting in a bench vise using soft jaws.
- Mount O-ring **1** and seal ring **2**.
- Grease the O-ring.

Lubricant (T158) (☛ p. 270)



- Mount shim stack 3.

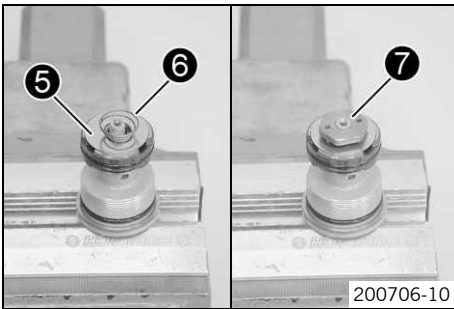
i Info
Mount the smaller shims below.

- Mount pistons 4 with O-ring A.

i Info
The side with the largest inside diameter B faces upward.

- Grease the piston O-ring.

Fork oil (SAE 4) (48601166S1) (☞ p. 268)



- Mount washer 5.
- Mount spring 6 with the tighter coil facing downward.
- Mount and tighten nut 7.

Guideline

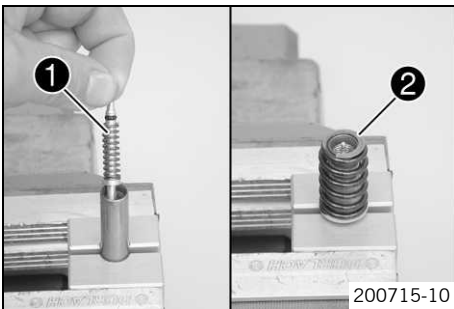
Compression damping fitting nut	M6x0.5	3 Nm (2.2 lbf ft)
---------------------------------	--------	-------------------

i Info
The washer 5 must have freedom of movement relative to the spring force.

- Secure the nut by locking.
- Extract the compression damping fitting.

6.1.18 Assembling the cartridge

i Info
The steps are identical for both fork legs.



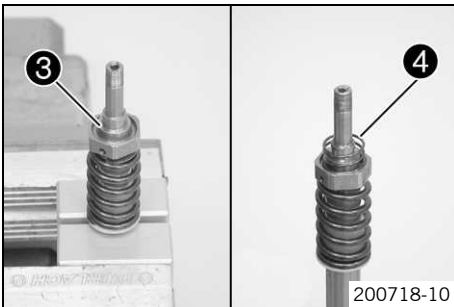
- Clamp in the piston rod.

Clamping stand (T14016S) (☞ p. 279)

- Mount valve 1 of the rebound damping, with the spring and O-ring.
- Grease the O-ring.

Lubricant (T158) (☞ p. 270)

- Mount spring 2.



- Grease tap rebound 3 O-ring.

Lubricant (T158) (☞ p. 270)

- Mount and tighten the tap rebound.

Guideline

Tap rebound	M9x1	18 Nm (13.3 lbf ft)	Loctite® 2701™
-------------	------	------------------------	----------------

- Position spring 4.



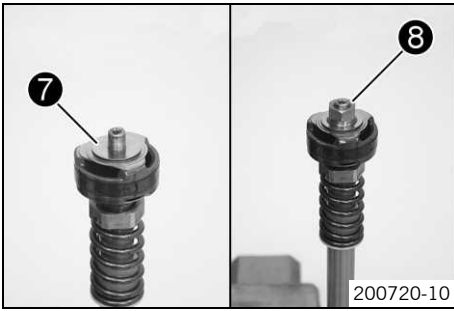
- Mount shim stack 5.

i Info
Mount the smaller shims below.

- Press the shim stack downward against the spring force.

i Info
The shim stack must be pressed downward over the collar.

- Mount piston 6 with the piston ring.



Info
The side with the largest inside diameter faces downward.

- Mount shim stack 7.



Info
Align the triangular plate exactly with the piston opening.

- Mount and tighten nut 8.

Guideline

Tap rebound nut	M6x0.5	5 Nm (3.7 lbf ft)
-----------------	--------	-------------------



Info
Mount the nut with the collar facing downward.

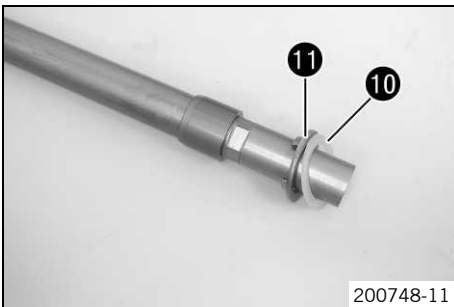
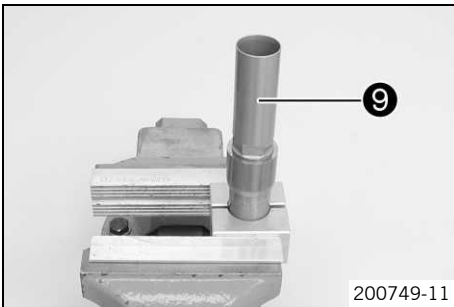
- Secure the nut by locking.
- Degrease the cartridge and clamp using the special tool.

Clamping stand (T14015S) (☛ p. 278)

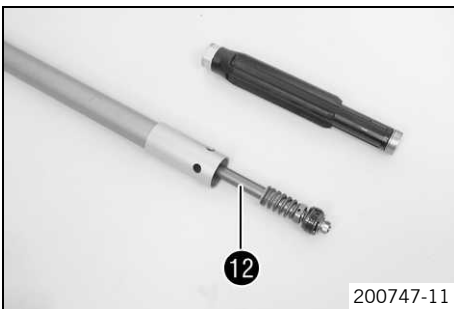
- Mount and tighten screwsleeve 9.

Guideline

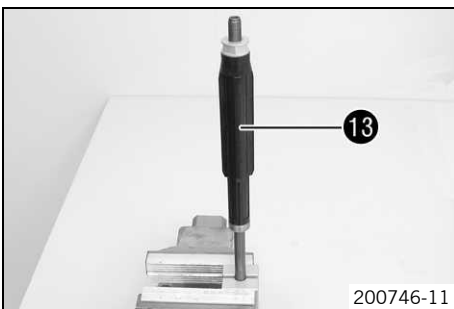
Screwsleeve	M29x1	46 Nm (33.9 lbf ft)	Loctite® 241
-------------	-------	------------------------	---------------------



- Mount washer 10 and spring seat 11.



- Push piston rod 12 into the cartridge.



- Screw on fluid barrier 13 to the stop.

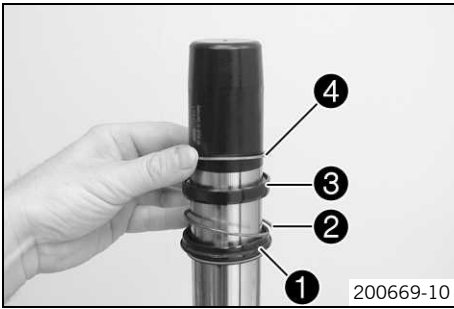


Info
The fluid barrier must be screwed on tightly against the stop. Do not use a tool.

6.1.19 Assembling the fork legs



Info
The steps are identical for both fork legs.



Preparatory work

- Check the fork legs. (☛ p. 21)
- Assemble the cartridge. (☛ p. 23)
- Assemble the compression damping fitting. (☛ p. 22)

Main work

- Clamp in the inner tube with the axle clamp.

Guideline

Use soft jaws.

- Install the special tool.

Protecting sleeve (T1401) (☛ p. 278)

- Grease and slide on dust boot ①.

Lubricant (T511) (☛ p. 270)

i Info

Always change the dust boot, seal ring, lock ring, and support ring. Mount the sealing lip with the spring expander facing downward.

- Slide on lock ring ②.
- Grease and slide on seal ring ③.

Lubricant (T511) (☛ p. 270)

i Info

The sealing lip should face downward and the open side upward.

- Slide on support ring ④.
- Remove the special tool.
- Roughen, clean, and grease the edges of the sliding bushings using 600 grit sandpaper.

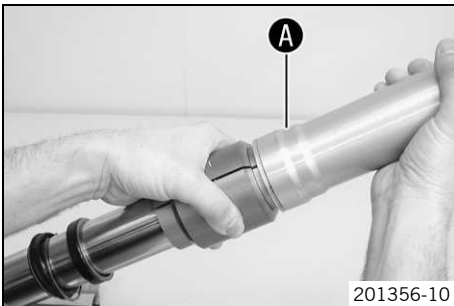
Fork oil (SAE 4) (48601166S1) (☛ p. 268)



- Slide on lower sliding bushing ⑤.
- Mount upper sliding bushing ⑥.

i Info

Gently pull them apart without using any tool.



- Slide on the outer tube.
- Warm up the outer tube in the lower sliding bushing area of A.

Guideline

50 °C (122 °F)

- Hold the lower sliding bushing with the longer shoulder of the special tool.

Assembly tool (T1402S) (☛ p. 279)

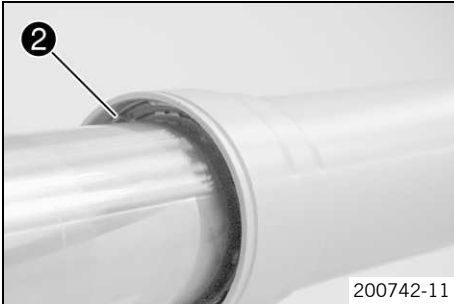
- Press the outer tube all the way in.



- Position the support ring.
- Hold the seal ring with the shorter shoulder of the special tool.

Assembly tool (T1402S) (☛ p. 279)

- Press the outer tube all the way in.

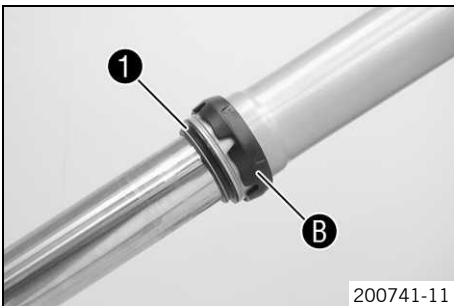


- Mount lock ring ②.

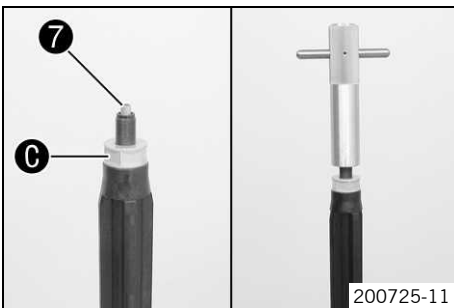


Info

The lock ring must audibly lock into place.



- Install dust boot ①.
- Mount fork protector ring ⑥.



- Mount adjustment tube ⑦ of the rebound damping in the cartridge.
- ✓ The adjustment tube extends 5 mm (0.197 in) out from the cartridge and can be pressed inward against the spring force.
- ✗ The adjustment tube extends more than 7 mm (0.276 in) out from the cartridge and cannot be pressed inward against the spring force.
- Screw on water excluder ⑨ to the stop.



Info

The water excluder must be screwed on tightly against the stop. Do not use a tool.

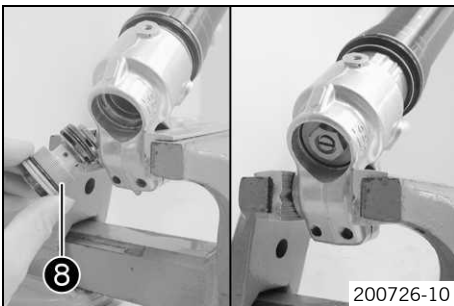
- Mount the special tool on the cartridge.

Gripping tool (T14026S1) (☛ p. 279)



Info

The special tool must be used in order that the adjustment tube is not raised. Otherwise, oil will reach the piston rod.



- Push the cartridge into the inner tube.
- Mount and tighten compression damping fitting ⑧.

Guideline

Compression damping fitting	M29x1	35 Nm (25.8 lbf ft)
-----------------------------	-------	------------------------



Info

If the cartridge turns as well, press the piston rod slightly to the side.

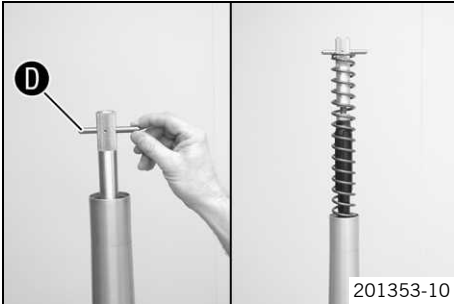


201354-10

- Clamp in the fork vertically.
- Fill with fork oil.

Fork oil per fork leg	625 ml (21.13 fl. oz.)	Fork oil (SAE 4) (48601166S1) (☛ p. 268)
-----------------------	------------------------	--

i Info
Pull out the piston rod and push back in a number of times to bleed the cartridge.



201353-10

- Remove pin **D** of the special tool.

Gripping tool (T14026S1) (☛ p. 279)

- Pull out the piston rod. Install the spring. Reinstall the pin.

Guideline

Spring rate	
Weight of rider: 65... 75 kg (143... 165 lb.)	4.0 N/mm (22.8 lb/in)
Weight of rider: 75... 85 kg (165... 187 lb.)	4.2 N/mm (24 lb/in)
Weight of rider: 85... 95 kg (187... 209 lb.)	4.4 N/mm (25.1 lb/in)



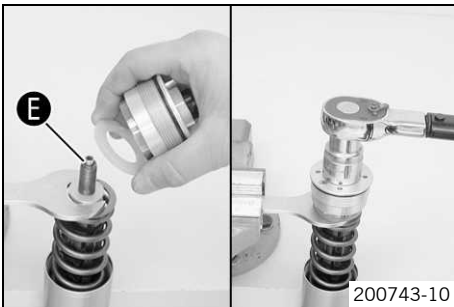
200679-10

- Pull the spring downward. Place the special tool on the hexagonal part.

Open-end wrench (T14032) (☛ p. 279)

- Remove the special tool.

Gripping tool (T14026S1) (☛ p. 279)



200743-10

- Clamp the special tool in the bench vise.
- Grease the thread of the piston rod.
- Grease the upper edge **E** of the piston rod.

Lubricant (T159) (☛ p. 270)

Lubricant (T158) (☛ p. 270)

- Screw the **Preload Adjuster** with preload spacer onto the piston rod.

i Info
The **Preload Adjuster** must be screwed in all the way before the piston rod also begins to turn. In case of tight piston rod threads, it must be held to keep it from turning. If the **Preload Adjuster** is not screwed in all the way, the rebound adjustment will not function.

- Tighten the **Preload Adjuster**.

Guideline

Preload Adjuster on the piston rod	M12x1	25 Nm (18.4 lbf ft)
---	-------	---------------------

- Take pressure off of the special tool. Pull the spring downward and remove the special tool.



200738-11



- Push the outer tube upward.
- Clamp the outer tube in the area of lower triple clamp.

Clamping stand (T1403S) (☛ p. 279)

- Grease the **Preload Adjuster** O-ring.

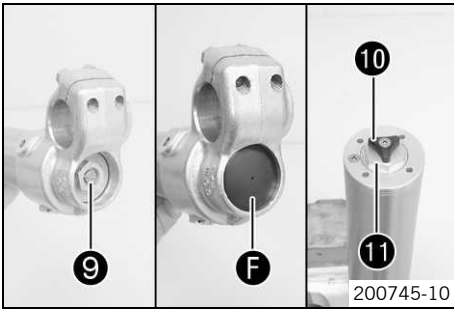
Lubricant (T158) (☛ p. 270)

- Screw on and tighten the **Preload Adjuster**.

Guideline

Preload Adjuster on the outer tube	M51x1.5	50 Nm (36.9 lbf ft)
---	---------	------------------------

Pin wrench (T103) (☛ p. 276)



Alternative 1

- Turn adjusting screw of compression damping 9 and adjusting screw of rebound damping 10 clockwise all the way.
- Turn back counterclockwise by the number of clicks corresponding to the fork type.

Guideline

Rebound damping	
Comfort	20 clicks
Standard	18 clicks
Sport	16 clicks
Compression damping	
Comfort	22 clicks
Standard	20 clicks
Sport	18 clicks

- Turn the adjusting screw of spring preload 11 counterclockwise all the way.
- Turn back clockwise the number of turns corresponding to the fork type.

Guideline

Spring preload - Preload Adjuster	
Comfort	1 turn
Standard	2 turns
Sport	2 turns

Alternative 2



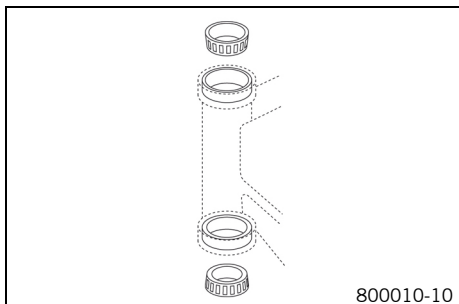
Warning

Danger of accidents Modifications to the suspension settings can seriously alter the vehicle's ride behavior.

- Extreme modifications to the adjustment of the suspension components can cause a serious deterioration in the handling characteristics and overload some components.
- Only make adjustments within the recommended range.
- After making adjustments, ride slowly at first to get the feel of the new ride behavior.

- Set the adjusting screws to the position determined before removal.
- Mount protective cover F.

6.1.20 Greasing the steering head bearing



- Remove the lower triple clamp. (☛ p. 29)
- Install the lower triple clamp. (☛ p. 30)

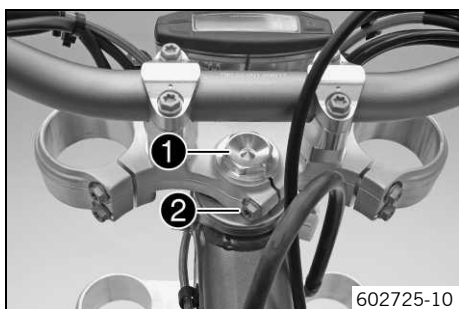
6.1.21 Removing the lower triple clamp

Preparatory work

- Raise the motorcycle with the lift stand. (☛ p. 10)
- Remove the front wheel. (☛ p. 93)
- Remove the headlight mask with the headlight. (☛ p. 89)
- Remove the fork legs. (☛ p. 34)
- Remove the front fender. (☛ p. 89)
- Remove the handlebar cushion.

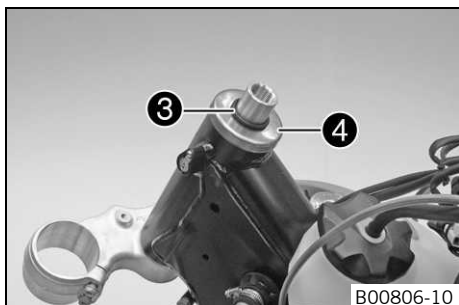
Main work

- Remove screw ❶. Loosen screw ❷. Take off the upper triple clamp with the handlebar and set it aside.



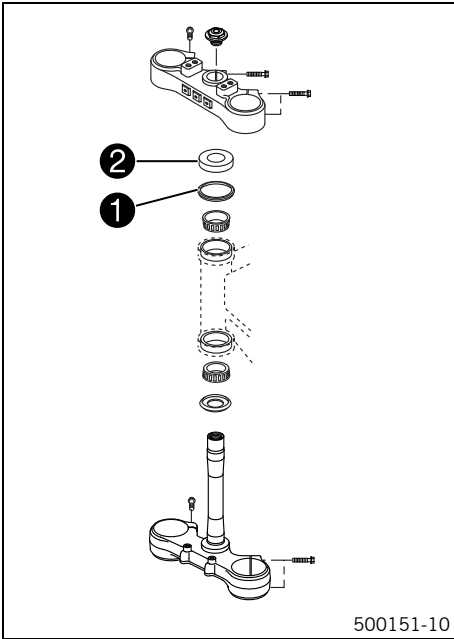
i Info

Protect the motorcycle and its attachments against damage by covering them.
Do not bend the cables and lines.



- Remove O-ring ❸. Remove protective ring ❹.
- Take out the lower triple clamp with the steering stem.
- Take out the upper steering head bearing.

6.1.22 Installing the lower triple clamp

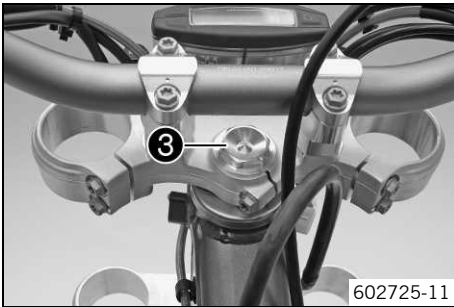


Main work

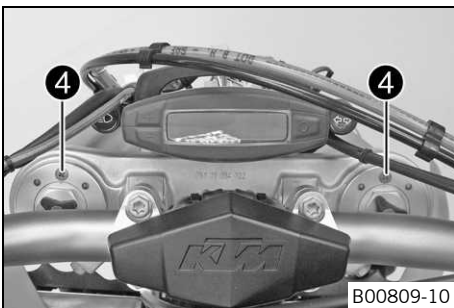
- Clean the bearing and sealing elements, check for damage, and grease.

High viscosity grease (☛ p. 270)

- Insert the lower triple clamp with the steering stem. Mount the upper steering head bearing.
- Check whether the top steering head seal ① is correctly positioned.
- Push on protective ring ②.



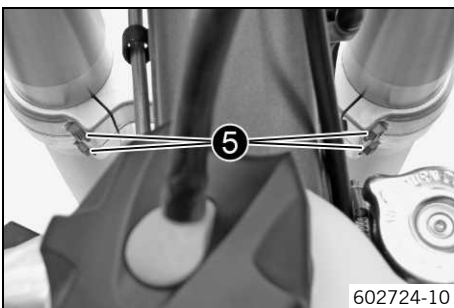
- Position the upper triple clamp with the steering.
- Position the clutch line and wiring harness.
- Mount screw ③ but do not tighten yet.



- Position the fork legs.

i Info

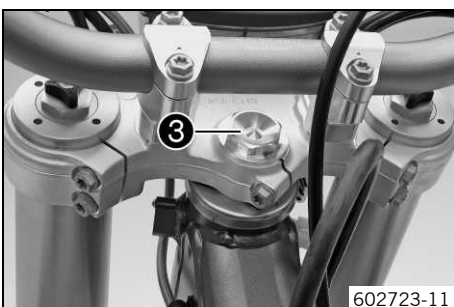
Grooves are milled into the side of the upper end of the fork legs. The second milled groove (from the top) must be flush with the top edge of the upper triple clamp. Position bleeder screws ④ toward the front.



- Tighten screws ⑤.

Guideline

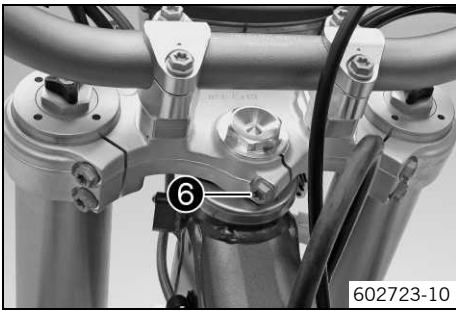
Screw, bottom triple clamp	M8	15 Nm (11.1 lbf ft)
----------------------------	----	------------------------



- Tighten screw ③.

Guideline

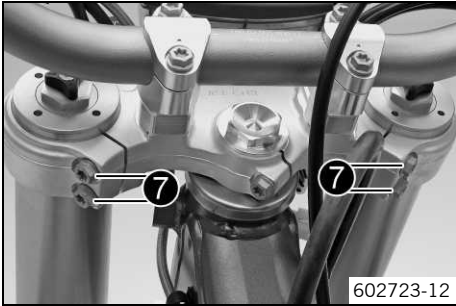
Screw, top steering head	M20x1.5	12 Nm (8.9 lbf ft)
--------------------------	---------	--------------------



- Tighten screw 6.

Guideline

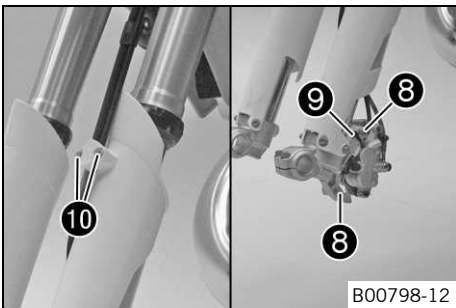
Screw, top steering stem	M8	20 Nm (14.8 lbf ft)
--------------------------	----	------------------------



- Tighten screws 7.

Guideline

Screw, top triple clamp	M8	20 Nm (14.8 lbf ft)
-------------------------	----	------------------------



- Position the brake caliper. Mount and tighten screws 8.

Guideline

Screw, front brake caliper	M8	25 Nm (18.4 lbf ft)	Loctite® 243™
----------------------------	----	------------------------	---------------

- Mount cable binder 9.
- Position the brake line, wiring harness and clamp. Mount and tighten screws 10.

Finishing work

- Mount the handlebar cushion.
- Install the front fender. (☛ p. 89)
- Install the front wheel. (☛ p. 93)
- Refit the headlight mask with the headlight. (☛ p. 90)
- Check that the wiring harness, throttle cables and brake and clutch lines can move freely and are routed correctly.
- Check the play of the steering head bearing. (☛ p. 31)
- Remove the motorcycle from the lift stand. (☛ p. 10)
- Check the headlight setting. (☛ p. 117)

6.1.23 Checking the play of the steering head bearing



Warning

Danger of accidents Unstable vehicle handling from incorrect steering head bearing play.

- Adjust the steering head bearing play without delay.

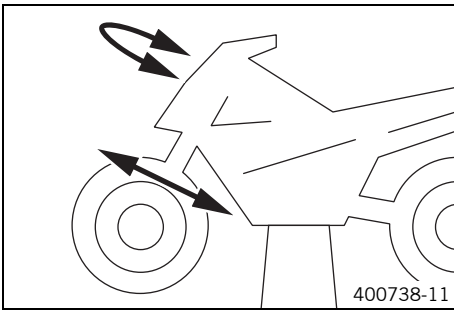


Info

If the bike is ridden with play in the steering head bearing, the bearing and the bearing seats in the frame can become damaged over time.

Preparatory work

- Raise the motorcycle with the lift stand. (☛ p. 10)



Main work

- Move the handlebar to the straight-ahead position. Move the fork legs to and fro in the direction of travel.

No play should be noticeable in the steering head bearing.

- » If there is noticeable play present:
 - Adjust the play of the steering head bearing. (☛ p. 32)
- Move the handlebar to and fro over the entire steering range.

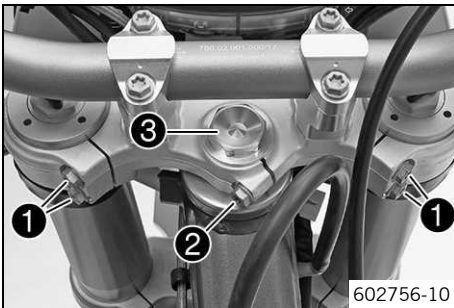
The handlebar must be able to move easily over the entire steering range. There should be no perceptible detent positions.

- » If detent positions are noticeable:
 - Adjust the play of the steering head bearing. (☛ p. 32)
 - Check the steering head bearing and replace if required.

Finishing work

- Remove the motorcycle from the lift stand. (☛ p. 10)

6.1.24 Adjusting the play of the steering head bearing



Preparatory work

- Raise the motorcycle with the lift stand. (☛ p. 10)

Main work

- Loosen screws ❶ and ❷.
- Loosen and retighten screw ❸.

Guideline

Screw, top steering head	M20x1.5	12 Nm (8.9 lbf ft)
--------------------------	---------	--------------------

- Using a plastic hammer, tap lightly on the upper triple clamp to avoid strains.
- Tighten screws ❶.

Guideline

Screw, top triple clamp	M8	20 Nm (14.8 lbf ft)
-------------------------	----	---------------------

- Tighten screw ❷.

Guideline

Screw, top steering stem	M8	20 Nm (14.8 lbf ft)
--------------------------	----	---------------------

Finishing work

- Check the play of the steering head bearing. (☛ p. 31)
- Remove the motorcycle from the lift stand. (☛ p. 10)

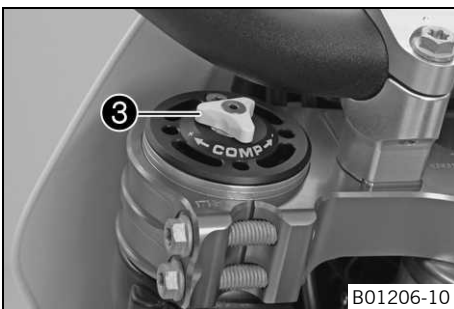
6.2 250/300 SIX DAYS

6.2.1 Adjusting the compression damping of the fork



Info

The hydraulic compression damping determines the fork suspension behavior.



- Turn the white adjusting screw ❸ all the way clockwise.



Info

Adjusting screw ❸ is located at the upper end of the left fork leg. The compression damping is located in the left fork leg (white adjusting screw). The rebound damping is located in the right fork leg (red adjusting screw).

- Turn back counterclockwise by the number of clicks corresponding to the fork type.

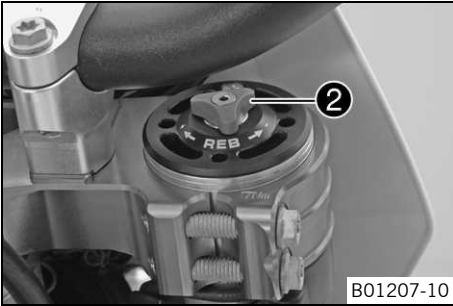
Guideline

Compression damping	
Comfort	15 clicks
Standard	13 clicks
Sport	11 clicks

i Info
Turn clockwise to increase damping; turn counterclockwise to reduce damping.

6.2.2 Adjusting the rebound damping of the fork

i Info
The hydraulic rebound damping determines the fork suspension behavior.



- Turn the red adjusting screw 2 all the way clockwise.

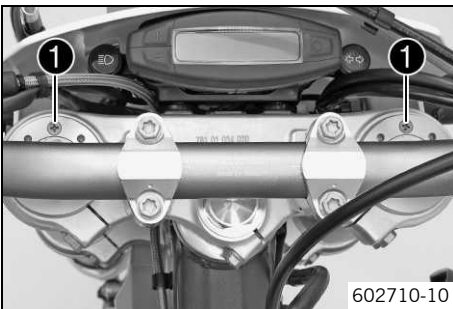
i Info
Adjusting screw 2 is located at the upper end of the right fork leg. The rebound damping is located in the right fork leg (red adjusting screw). The compression damping is located in the left fork leg (white adjusting screw).

- Turn back counterclockwise by the number of clicks corresponding to the fork type.
- Guideline

Rebound damping	
Comfort	15 clicks
Standard	13 clicks
Sport	11 clicks

i Info
Turn clockwise to increase damping; turn counterclockwise to reduce damping.

6.2.3 Bleeding the fork legs



Preparatory work

- Raise the motorcycle with the lift stand. (☞ p. 10)

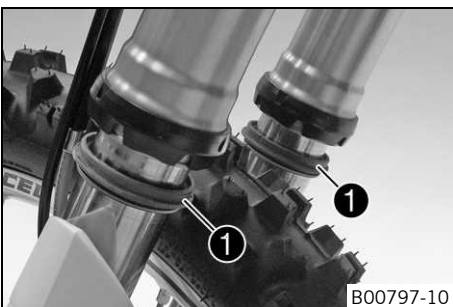
Main work

- Remove bleeder screws 1 briefly.
- ✓ Any excess pressure escapes from the interior of the fork.
- Mount and tighten bleeder screws.

Finishing work

- Remove the motorcycle from the lift stand. (☞ p. 10)

6.2.4 Cleaning the dust boots of the fork legs



Preparatory work

- Raise the motorcycle with the lift stand. (☞ p. 10)
- Loosen the fork protection. (☞ p. 34)

Main work

- Push dust boots 1 of both fork legs downwards.

i Info
The dust boots remove dust and coarse dirt particles from the inside fork tubes. Over time, dirt can penetrate behind the dust boots. If this dirt is not removed, the oil seals behind can start to leak.



Warning

Danger of accidents Reduced braking efficiency due to oil or grease on the brake discs.

- Always keep the brake discs free of oil and grease, and clean them with brake cleaner when necessary.

- Clean and oil the dust boots and inner fork tube of both fork legs.

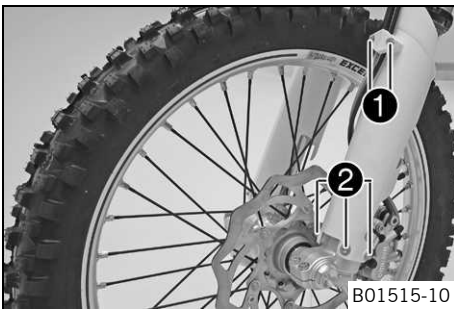
Universal oil spray (☛ p. 271)

- Press the dust boots back into their normal position.
- Remove excess oil.

Finishing work

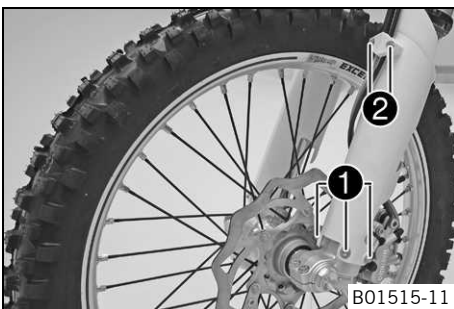
- Position the fork protection. (☛ p. 34)
- Remove the motorcycle from the lift stand. (☛ p. 10)

6.2.5 Loosening the fork protection



- Remove screws 1 and take off the clamp.
- Remove screws 2 on the left fork leg. Push the fork protection downwards.
- Remove the screws on the right fork leg. Push the fork protection downwards.

6.2.6 Positioning the fork protection



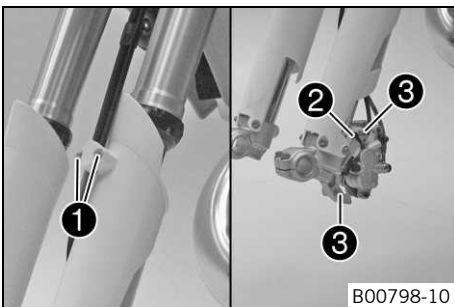
- Position the fork protection on the left fork leg. Mount and tighten screws 1.
- Guideline

Remaining screws, chassis	M6	10 Nm (7.4 lbf ft)
---------------------------	----	--------------------

- Position the brake line. Position the clamp and mount and tighten screws 2.
 - Position the fork protection on the right fork leg. Mount and tighten the screws.
- Guideline

Remaining screws, chassis	M6	10 Nm (7.4 lbf ft)
---------------------------	----	--------------------

6.2.7 Removing the fork legs

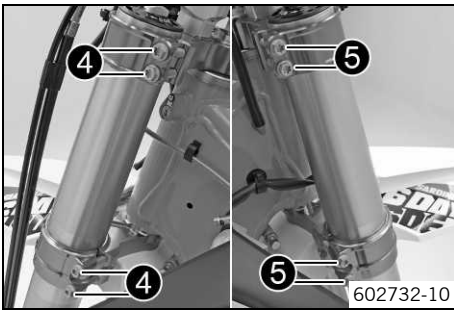


Preparatory work

- Raise the motorcycle with the lift stand. (☛ p. 10)
- Remove the front wheel. (☛ p. 93)
- Remove the headlight mask with the headlight. (☛ p. 89)

Main work

- Remove screws 1 and take off the clamp.
- Remove cable binder 2.
- Remove screws 3 and take off the brake caliper.
- Hang the brake caliper and the brake line loosely to the side.



- Loosen screws 4. Remove the fork leg on the left.
- Loosen screws 5. Remove the fork leg on the right.

6.2.8 Installing the fork legs



Main work

- Position the fork legs.

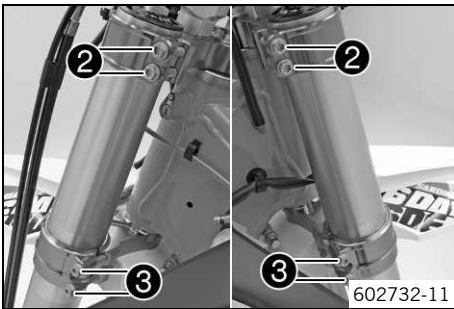


Info

The rebound damping is located in the right fork leg (red adjusting screw). The compression damping is located in the left fork leg (white adjusting screw).

Grooves are milled into the side of the upper end of the fork legs. The second milled groove (from the top) must be flush with the top edge of the upper triple clamp.

Position bleeder screws 1 toward the front.



- Tighten screws 2.

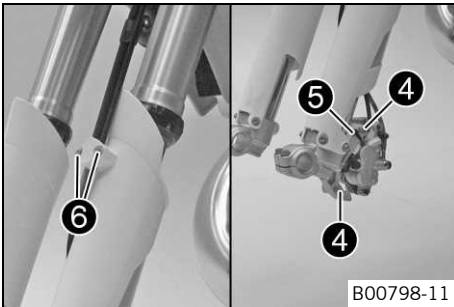
Guideline

Screw, top triple clamp	M8	17 Nm (12.5 lbf ft)
-------------------------	----	------------------------

- Tighten screws 3.

Guideline

Screw, bottom triple clamp	M8	15 Nm (11.1 lbf ft)
----------------------------	----	------------------------



- Position the brake caliper and mount and tighten screws 4.

Guideline

Screw, front brake caliper	M8	25 Nm (18.4 lbf ft)	Loctite® 243™
----------------------------	----	------------------------	---------------

- Mount cable binder 5.
- Position the brake line and wiring harness. Put the clamp on and mount and tighten screws 6.

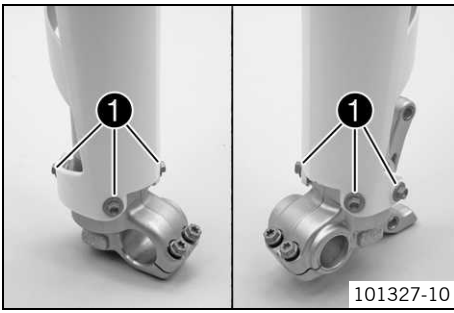
Finishing work

- Install the front wheel. (☛ p. 93)
- Refit the headlight mask with the headlight. (☛ p. 90)
- Check the headlight setting. (☛ p. 117)

6.2.9 Removing the fork protector

Preparatory work

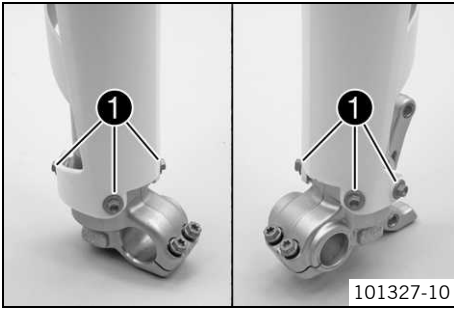
- Raise the motorcycle with the lift stand. (☛ p. 10)
- Remove the front wheel. (☛ p. 93)
- Remove the headlight mask with the headlight. (☛ p. 89)
- Remove the fork legs. (☛ p. 34)



Main work

- Remove screws ❶ on the left fork leg. Lift off the fork protector.
- Remove the screws on the right fork leg. Lift off the fork protector.

6.2.10 Installing the fork protector



Main work

- Position the fork protection on the left fork leg. Mount and tighten screws ❶.

Guideline

Remaining screws, chassis	M6	10 Nm (7.4 lbf ft)
---------------------------	----	--------------------

- Position the fork protection on the right fork leg. Mount and tighten the screws.

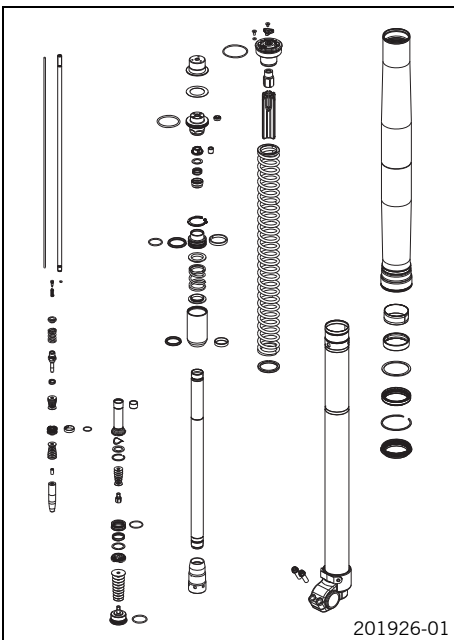
Guideline

Remaining screws, chassis	M6	10 Nm (7.4 lbf ft)
---------------------------	----	--------------------

Finishing work

- Install the fork legs. (☛ p. 35)
- Install the front wheel. (☛ p. 93)
- Refit the headlight mask with the headlight. (☛ p. 90)
- Check the headlight setting. (☛ p. 117)

6.2.11 Performing a fork service



Condition

The fork legs have been removed.

- Disassemble the fork legs. (☛ p. 36)
- Remove the spring. (☛ p. 38)
- Disassemble the cartridge. (☛ p. 39)
- Disassemble the piston rod. (☛ p. 40)
- Disassemble the hydrostop unit. (☛ p. 41)
- Disassemble the seal ring retainer. (☛ p. 42)
- Check the fork legs. (☛ p. 42)
- Assemble the seal ring retainer. (☛ p. 43)
- Assemble the hydrostop unit. (☛ p. 44)
- Assemble the piston rod. (☛ p. 44)
- Assemble the cartridge. (☛ p. 46)
- Assemble the fork legs. (☛ p. 47)

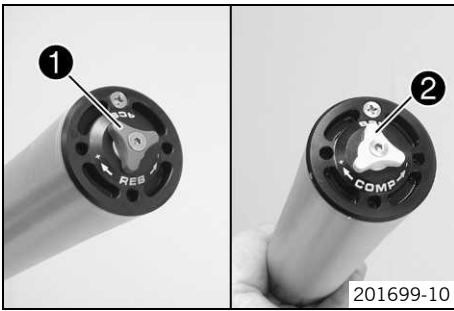
6.2.12 Disassembling the fork legs

i Info

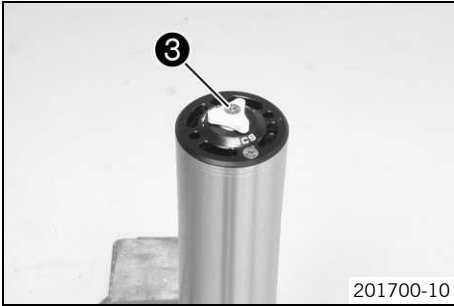
The steps are identical for both fork legs.

Condition

The fork legs are disassembled.



- Note down the current state of rebound damping **1 REB** (red adjuster of right fork leg).
- Note down the current state of compression damping **2 COMP** (white adjuster of left fork leg).
- Fully open the adjusters of the rebound and compression damping.



- Clamp the fork leg in the area of the lower triple clamp.

Clamping stand (T1403S) (☛ p. 279)

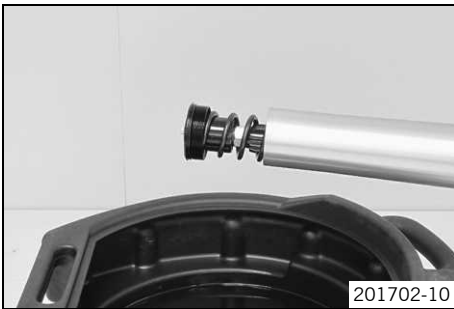
- Remove the screw. Remove adjuster **3**.



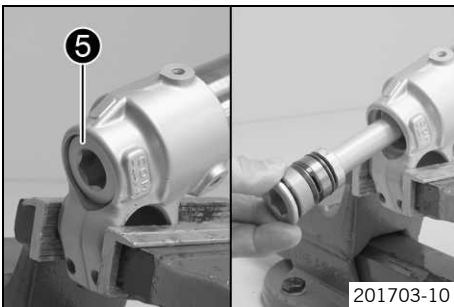
- Release screw cap **4**.

Special socket (T14047) (☛ p. 280)

i Info
The cartridge cannot be taken off yet.

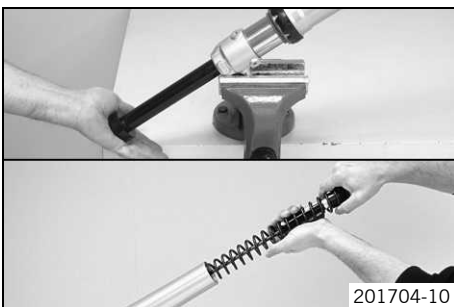


- Unclamp the fork leg.
- Push the outer tube down. Drain the fork oil.



- Clamp the fork leg with the axle clamp.
- Release hydrostop unit **5** and remove it.

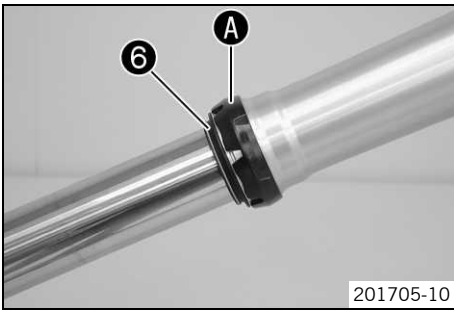
i Info
Do not use an impact wrench.
Place a pan underneath since oil will run out.



- Remove the cartridge from the fork leg.

Press-out tool (T14051) (☛ p. 280)

i Info
Removing the O-ring seat from the cartridge usually requires the application of force.

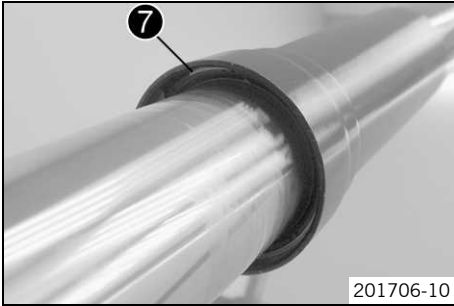


- Remove dust boot 6.
- Remove fork protection ring A.



Info

The fork protection ring does not necessarily need to be removed for repair work.

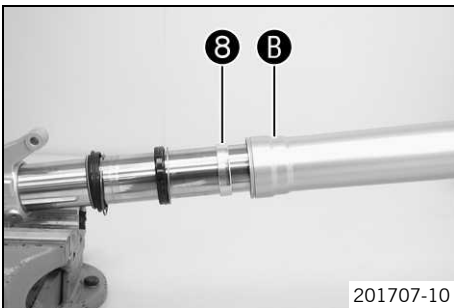


- Remove lock ring 7.



Info

The lock ring has a ground end against which a screwdriver can be positioned.



- Warm the outer tube in area B of the lower sliding bushing.

Guideline

50 °C (122 °F)

- Pull the outer tube forcefully off of the inner tube.



Info

The lower sliding bushing 8 must be pulled out of its bearing seat.



- Remove the upper sliding bushing 9.



Info

Do not use a tool; pull the ends apart slightly by hand.



- Take off the lower sliding bushing 8.
- Take off support ring 10.
- Take off seal ring 11.
- Take off lock ring 7.
- Take off dust boot 6.
- Unclamp the fork leg.

6.2.13 Removing the spring



Info

The steps are identical for both fork legs.

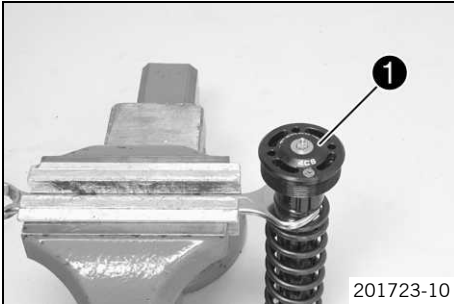
Preparatory work

- Disassemble the fork legs. (☛ p. 36)



Main work

- Pull the spring down. Mount the open end wrench on the hexagonal part.



- Clamp the open end wrench in the vise. Release screw cap ① but do not remove it yet.

Special socket (T14047) (☞ p. 280)



- Pull the spring down. Remove the open end wrench.
- Remove the screw cap.
- Remove the spring with the preload spacer(s).

6.2.14 Disassembling the cartridge



Info

The steps are identical for both fork legs.

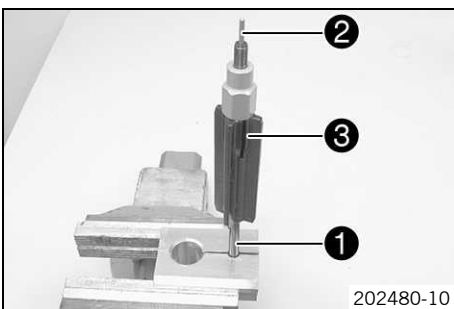
Preparatory work

- Disassemble the fork legs. (☞ p. 36)
- Remove the spring. (☞ p. 38)

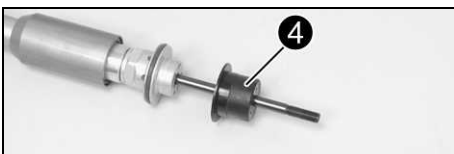
Main work

- Degrease piston rod ① and clamp it in the vise.

Clamping stand (T14049S) (☞ p. 280)

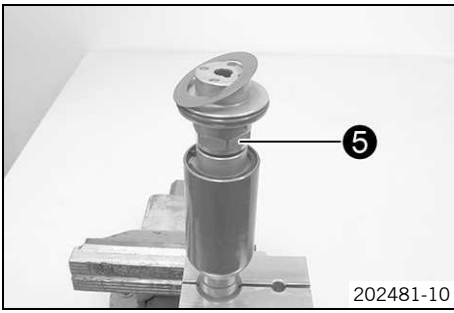


- Remove adjusting tube ②. Unscrew spring guide ③.



- Remove spring seat ④.
- Pull the piston rod out of the cartridge.





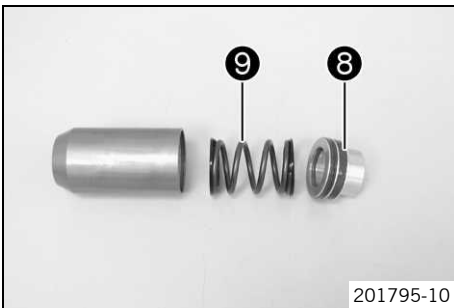
- Clamp the tube of the cartridge into a vise.

Clamping stand (T14049S) (☛ p. 280)

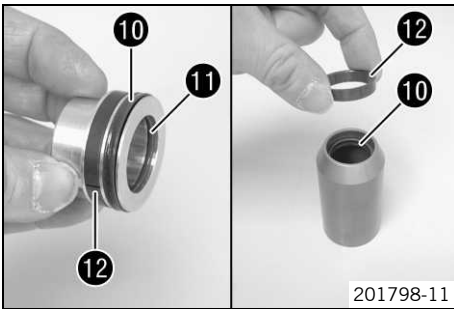
- Release seal ring retainer 5 and remove with the washer.



- Remove lock ring 6.
- Pull reservoir 7 off of the tube.



- Pull sleeve 8 out of the reservoir.
- Remove spring 9.



- Remove seal rings 10 and O-ring 11.
- Remove pilot bushings 12.

6.2.15 Disassembling the piston rod



Info

The steps are identical for both fork legs, except for the hydrostop needle and valve.

Preparatory work

- Disassemble the fork legs. (☛ p. 36)
- Remove the spring. (☛ p. 38)
- Disassemble the cartridge. (☛ p. 39)

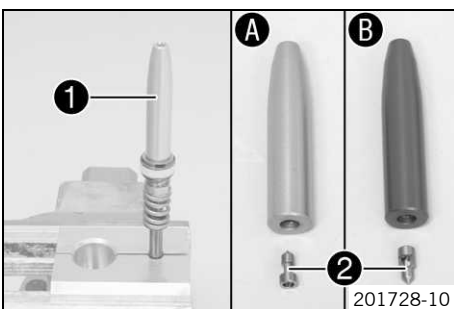
Main work

- Degrease the piston rod.
- Clamp the piston rod with the special tool as far up as possible.

Clamping stand (T14049S) (☛ p. 280)

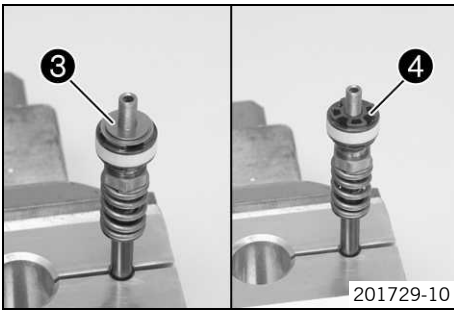
- Release hydrostop needle 1 and remove it from the piston rod.

✓ The valve 2 usually remains in the hydrostop needle.

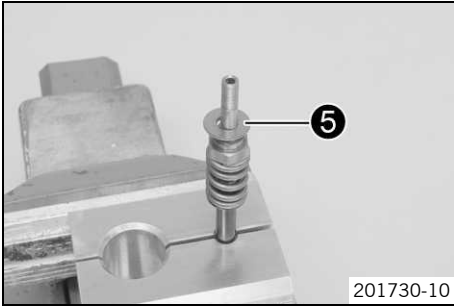


Info

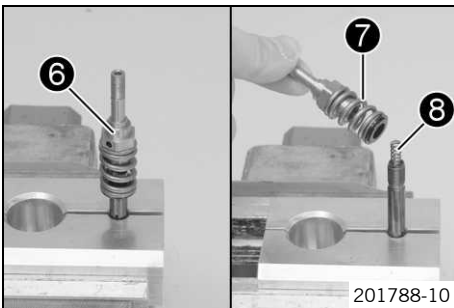
- A – silver hydrostop needle on compression damping side.
- B – red hydrostop needle on rebound damping side.



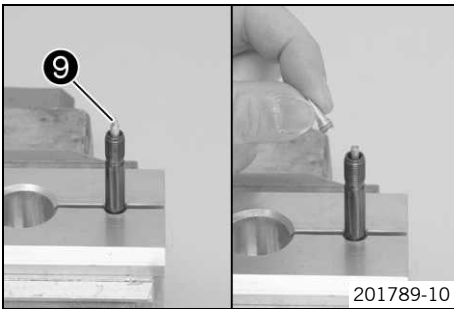
- Remove the rebound shim stack ③.
- Remove piston ④.



- Remove the compression shim stack ⑤.
- Remove spring.



- Remove adapter ⑥ with spring ⑦ and washer.
- Remove spring ⑧.



- Remove valve needle ⑨ from the piston rod.



Info

The adjusting tube can be used for this.

6.2.16 Disassembling the hydrostop unit



Info

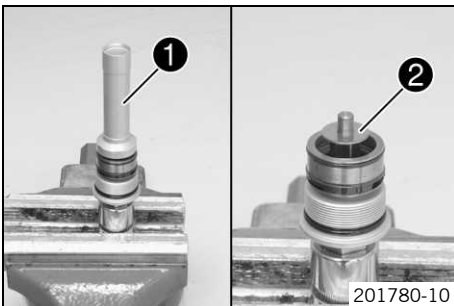
The steps are identical for both fork legs.

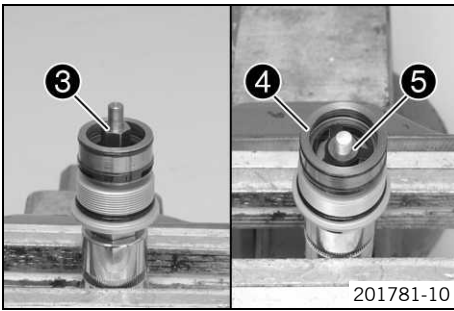
Preparatory work

- Disassemble the fork legs. (☛ p. 36)

Main work

- Mount the hydrostop unit on a fitting hexagon socket and clamp into a vice.
- Remove sleeve ①.
- Remove shim stack ②.



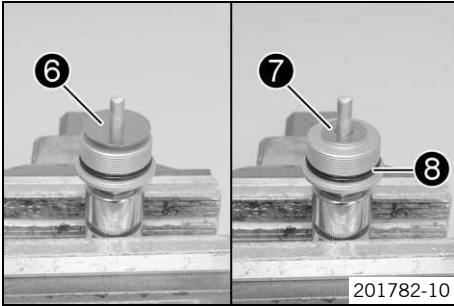


- Remove adapter 3.
- Remove hub 4 with washers 5.

i Info

It is possible that only one washer or no washer is present.

- Remove the O-ring from the hub.



- Remove shim stack 6.
- Remove washer 7.
- Remove O-ring 8.

6.2.17 Disassembling the seal ring retainer

i Info

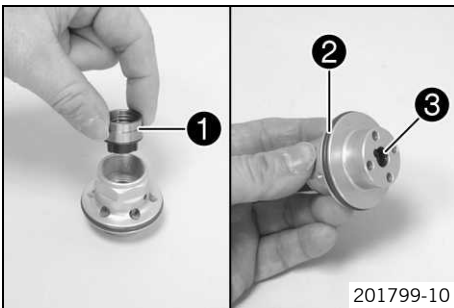
The steps are identical for both fork legs.

Preparatory work

- Disassemble the fork legs. (☛ p. 36)
- Remove the spring. (☛ p. 38)
- Disassemble the cartridge. (☛ p. 39)

Main work

- Remove pilot bushing support 1.
- Remove O-ring 2 and seal ring 3.



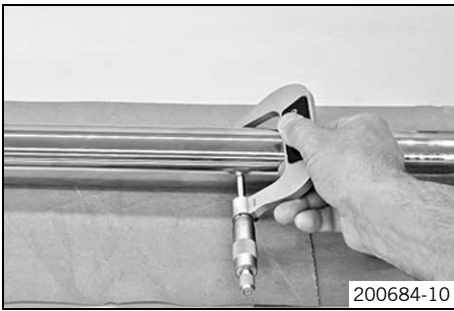
6.2.18 Checking the fork legs

Condition

The fork legs have been disassembled.

- Check the inner tube and axle clamp for damage.
 - » If there is damage:
 - Change the inner tube.

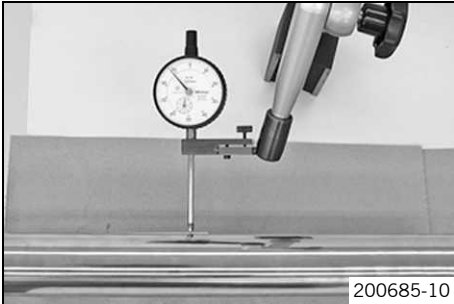




- Measure the outside diameter at multiple locations of the inner tube.

Outside diameter of inner tube	47.975... 48.005 mm (1.88878... 1.88996 in)
--------------------------------	---

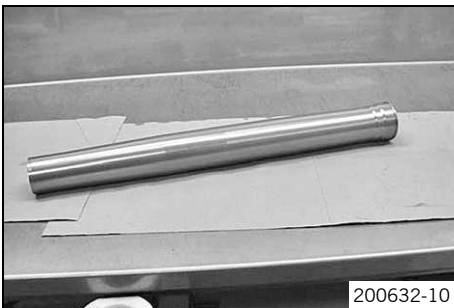
- » If the measured value is smaller than the specified value:
 - Change the inner tube.



- Measure the run-out of the inner tube.

Inner tube run-out	≤ 0.20 mm (≤ 0.0079 in)
--------------------	-------------------------

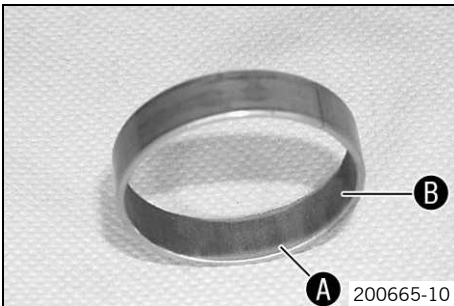
- » If the measured value is larger than the specified value:
 - Change the inner tube.



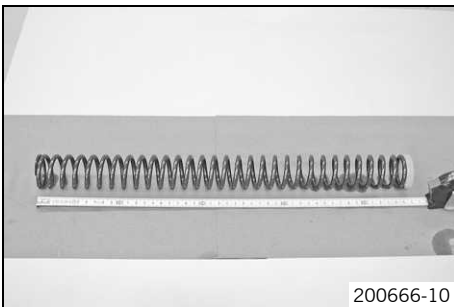
- Measure the inside diameter at multiple locations of the outer tube.

Inside diameter of outer tube	≤ 49.20 mm (≤ 1.937 in)
-------------------------------	-------------------------

- » If the measured value is larger than the specified value:
 - Change the outer tube.
- Check the outer tube for damage.
 - » If there is damage:
 - Change the outer tube.



- Check the surface of the sliding bushings.
 - » If the bronze-colored layer **A** under sliding layer **B** is visible or the surface is rough:
 - Change the sliding bushings.



- Check the spring length.

Guideline

Spring length with preload spacer(s)	470 mm (18.5 in)
--------------------------------------	------------------

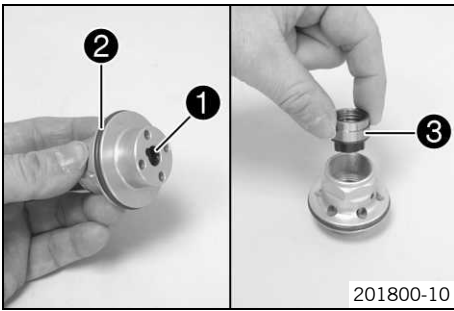
- » If the measured value is larger than the specified value:
 - Reduce the thickness of the preload spacers.
- » If the measured value is smaller than the specified value:
 - Increase the thickness of the preload spacers.

6.2.19 Assembling the seal ring retainer



Info

The steps are identical for both fork legs.



- Mount and grease seal ring ①.

Lubricant (T158) (☛ p. 270)

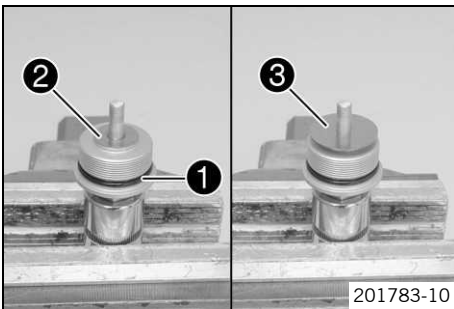
- Mount and grease O-ring ②.

Lubricant (T158) (☛ p. 270)

- Position pilot bushing support ③.

6.2.20 Assembling the hydrostop unit

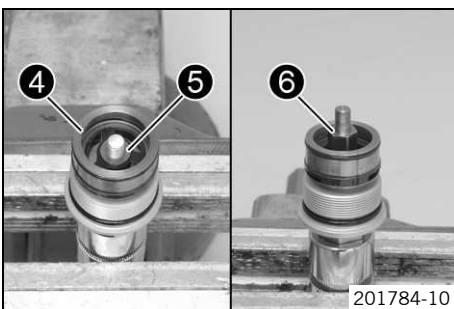
i Info
The steps are identical for both fork legs.



- Mount and grease O-ring ①.

Lubricant (T158) (☛ p. 270)

- Mount washer ②.
- Mount shim stack ③ with the smaller washers facing downward.



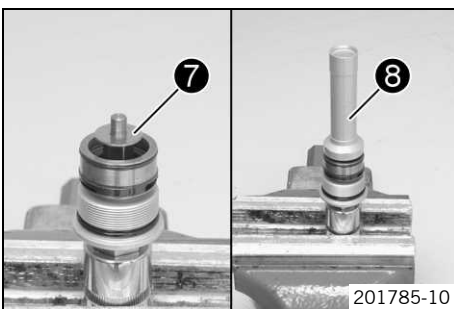
- Mount the new O-ring on hub ④.
- Mount the hub with washers ⑤.

i Info
It is possible that only one or no washer is present.

- Mount and tighten adapter ⑥.

Guideline

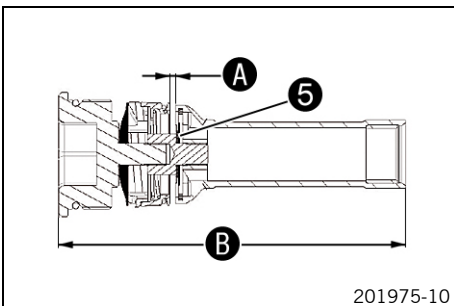
Hydrostop unit adapter	M6x0.5	7 Nm (5.2 lbf ft)
------------------------	--------	-------------------



- Mount shim stack ⑦ with the smaller washers facing downward.
- Mount and tighten sleeve ⑧.

Guideline

Hydrostop unit sleeve	M6x0.5	7 Nm (5.2 lbf ft)
-----------------------	--------	-------------------



- Check distance ① and total length ② of the hydrostop.

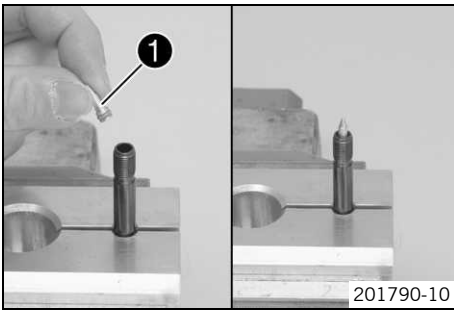
Guideline

Hydrostop distance	≥ 1.5 mm (≥ 0.059 in)
Hydrostop length	108.5... 109.5 mm (4.272... 4.311 in)

- » If the dimensions are out of tolerance:
 - Add or remove washers ⑤.

6.2.21 Assembling the piston rod

i Info
The steps are identical for both fork legs, except for the hydrostop needle and valve.

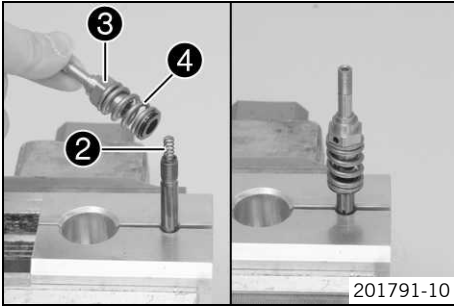


- Degrease the piston rod.
- Clamp the piston rod with the special tool.

Clamping stand (T14049S) (☛ p. 280)

- Lubricate the O-ring. Mount valve needle 1 in the piston rod.

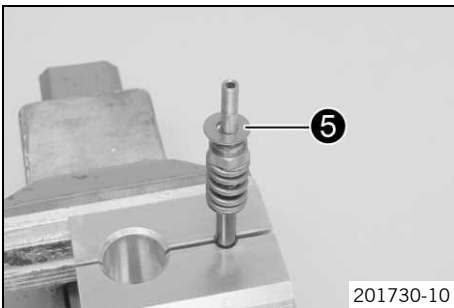
Lubricant (T158) (☛ p. 270)



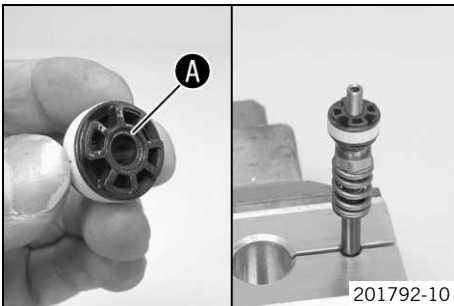
- Mount spring 2.
- Mount and tighten adapter 3 with spring 4 and washer.

Guideline

Adapter of piston rod	M6x0.5	12 Nm (8.9 lbf ft)
-----------------------	--------	--------------------



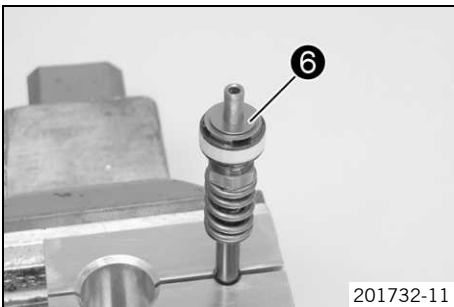
- Position the spring.
- Mount the compression shim stack 5 with the smaller washers facing downward.



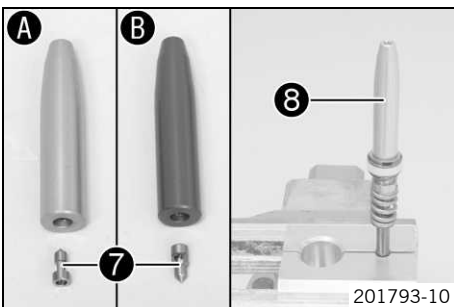
- Grind the piston on both sides on a surfacing plate using 1200 grit sandpaper.
- Clean the piston.
- Lubricate the piston ring.

Fork oil (SAE 4) (48601166S1) (☛ p. 268)

- Mount the piston with chamfer A facing down.



- Mount the rebound shim stack 6 with the smaller washers facing upward.



- Press the piston downward against the spring.
✓ The piston should not squeeze the shims.
- Position valve 7 in the hydrostop needle 8. Mount and tighten the hydrostop needle.

Guideline

Hydrostop needle on piston rod	M6x0.5	7 Nm (5.2 lbf ft)
--------------------------------	--------	-------------------



Info

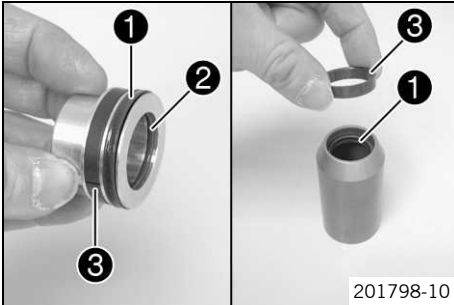
- A – silver hydrostop needle on compression damping side.
- B – red hydrostop needle on rebound damping side.

- Unclamp the piston rod.

6.2.22 Assembling the cartridge

i Info

The steps are identical for both fork legs.



201798-10

Preparatory work

- Assemble the seal ring retainer. (☞ p. 43)
- Assemble the piston rod. (☞ p. 44)

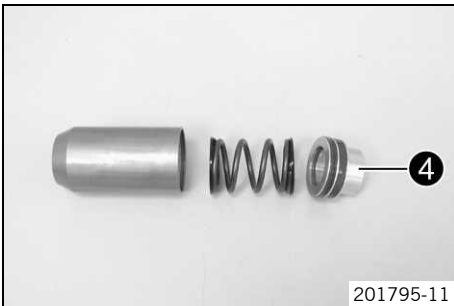
Main work

- Mount and grease seal rings 1 and O-ring 2.

Lubricant (T158) (☞ p. 270)

- Mount and lubricate pilot bushings 3.

Fork oil (SAE 4) (48601166S1) (☞ p. 268)
--



201795-11

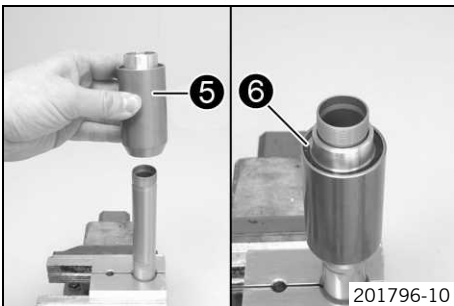
- Check the length of the reservoir spring.

Guideline

Reservoir spring length with preload spacer	46 mm (1.81 in)
---	-----------------

- » If the length is out of tolerance:
 - Correct the preload spacers.

- Position the spring with the preload spacers in the reservoir.
- Position sleeve 4 in the reservoir.



201796-10

- Clamp the tube of the cartridge into a vise.

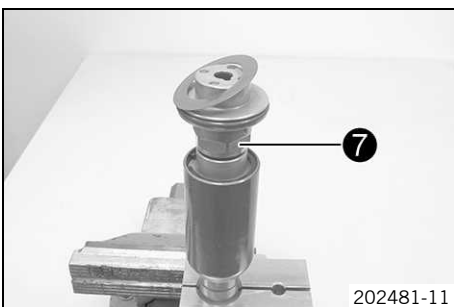
Clamping stand (T14049S) (☞ p. 280)

- Slide reservoir 5 onto the tube.

i Info

Hold the sleeve in the reservoir to prevent it from sliding out.

- Mount lock ring 6.



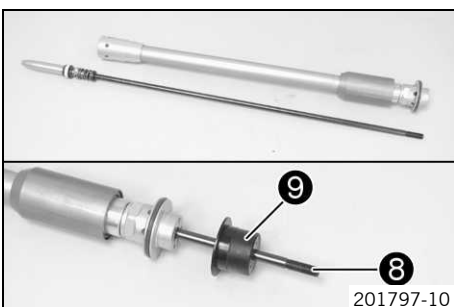
202481-11

- Mount seal ring retainer 7 with the washer and tighten.

Guideline

Seal ring retainer	M23.5x0.75	46 Nm (33.9 lbf ft)	Loctite® 2701™
--------------------	------------	------------------------	----------------

- Unclamp the cartridge.



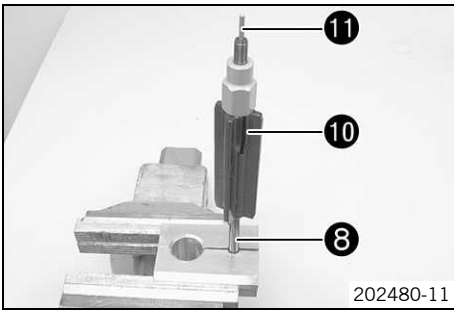
201797-10

- Slide piston rod 8 into the cartridge.

i Info

Ensure that the piston ring is seated correctly.

- Mount spring seat 9.



- Degrease piston rod 8 and clamp in the vise.

Clamping stand (T14049S) (☞ p. 280)

- Screw spring guide 10 all the way on.



Info

The nut must be firmly tightened against the stop by hand. Do not use a tool.

- Mount adjusting tube 11.
- Unclamp the piston rod. Mount the preload spacer(s).

6.2.23 Assembling the fork legs



Info

When assembling, ensure that the right cartridge is mounted in the corresponding inner tube and the right adjuster is mounted on the corresponding screw cap.

Compression damping side – screw cap with mark **COMP**, brake caliper holder, white adjuster.

Rebound damping side – screw cap with mark **REB**, no brake caliper holder, red adjuster.



Preparatory work

- Assemble the hydrostop unit. (☞ p. 44)

Main work

- Clamp the inner tube with the axle clamp.

Guideline

Use soft jaws.

- Mount special tool.

Protecting sleeve (T1401) (☞ p. 278)

- Lubricate and mount dust boot 1.

Lubricant (T511) (☞ p. 270)



Info

Always change the dust boot, seal ring, lock ring and support ring. Mount the sealing lip with the spring expander facing downward.

- Slide on lock ring 2.
- Lubricate and slide on seal ring 3.

Lubricant (T511) (☞ p. 270)



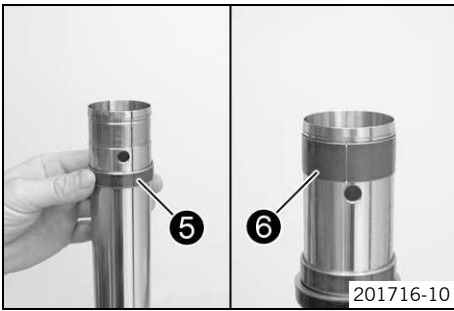
Info

Mount with the sealing lip facing down and the open side facing up.

- Slide on support ring 4.
- Remove the special tool.
- Grind the edges of the sliding bushings with sandpaper grit 600, clean the bushings and lubricate them.

Fork oil (SAE 4) (48601166S1) (☞ p. 268)

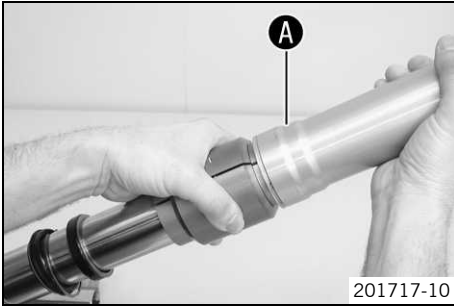




- Slide on the lower sliding bushing 5.
- Mount the upper sliding bushing 6.

i Info

Do not use a tool; pull the ends apart slightly by hand.



- Warm the outer tube in area A of the lower sliding bushing.

Guideline

50 °C (122 °F)

- Slide the outer tube onto the inner tube.
- Hold the lower sliding bushing with the longer section of the special tool.

Mounting tool (T14040S) (☛ p. 280)

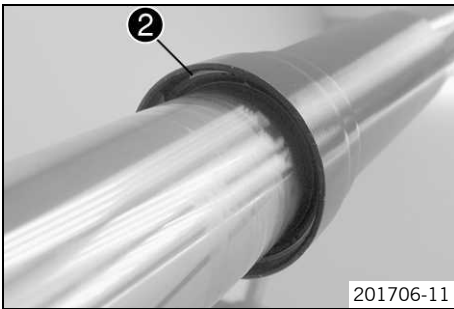
- Push the sliding bushing all the way into the outer tube.



- Position the support ring.
- Hold the seal ring with the shorter section of the special tool.

Mounting tool (T14040S) (☛ p. 280)

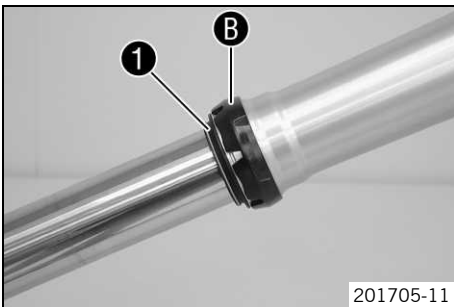
- Push the seal ring and support ring all the way into the outer tube.



- Mount lock ring 2.

i Info

The lock ring must engage audibly.



- Mount dust boot 1.
- Mount fork protection ring B.



- Lubricate the O-ring. Slide the cartridge all the way into the fork leg.

Fork oil (SAE 4) (48601166S1) (☛ p. 268)



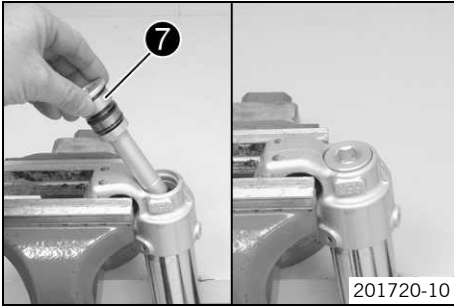
- Turn the fork. Have the entire filling quantity of fork oil available.

Oil capacity per fork leg	635 ml (21.47 fl. oz.)	Fork oil (SAE 4) (48601166S1) (☛ p. 268)
---------------------------	------------------------	--

- Add some of the fork oil while pulling out and pushing in the piston rod numerous times.

Guideline

Fork oil quantity	510 ml (17.24 fl. oz.)
-------------------	------------------------



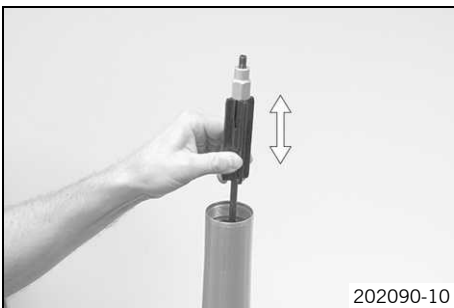
- Mount and tighten hydrostop unit 7.

Guideline

Hydrostop unit	M30x1	40 Nm (29.5 lbf ft)
----------------	-------	---------------------



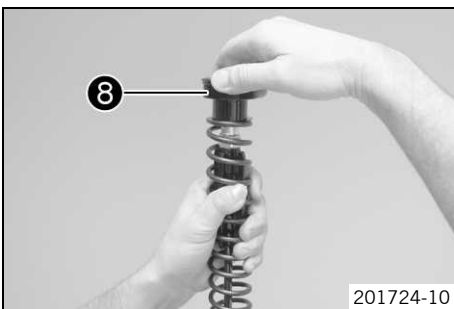
- Clamp the fork vertically.
- Add the remaining quantity of fork oil.



- Pull out the piston rod and push it back in numerous times while pressing it to one side slightly.
 - ✓ Air bubbles emerge and the cartridge is bled.
- Keep bleeding until no more air bubbles emerge.
 - ✓ The piston rod moves out automatically to the middle of the total stroke distance.

i Info

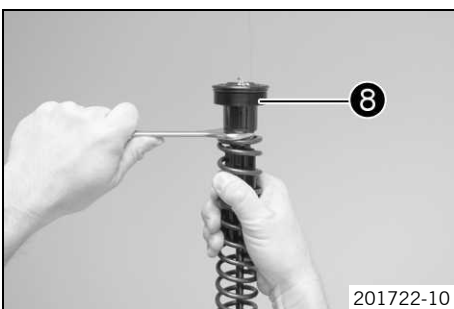
When fully bled, the correct air chamber length is achieved automatically.



- Position spring.
- Pull the spring down. Mount screw cap 8.

i Info

When assembling, ensure that the screw caps are correctly mounted according to the hydrostop needles.
 Rebound damping side – red hydrostop needle, screw cap with mark **REB**.
 Compression damping side – silver hydrostop needle, screw cap with mark **COMP**.



- Pull the spring down. Mount the open end wrench on the hexagonal part.
- Hold the open end wrench. Tighten screw cap 8.

Guideline

Screw cap on piston rod	M8x0.75	18 Nm (13.3 lbf ft)
-------------------------	---------	---------------------

Special socket (T14047) (☛ p. 280)



- Push the outer tube up.
- Clamp the outer tube in the area of the lower triple clamp.

Clamping stand (T1403S) (☛ p. 279)

- Tighten screw cap 8.

Guideline

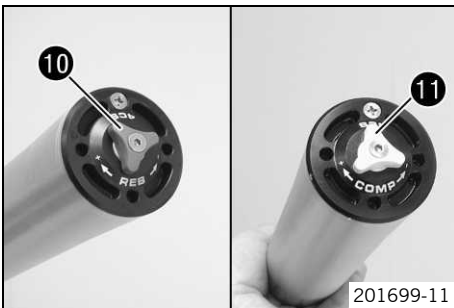
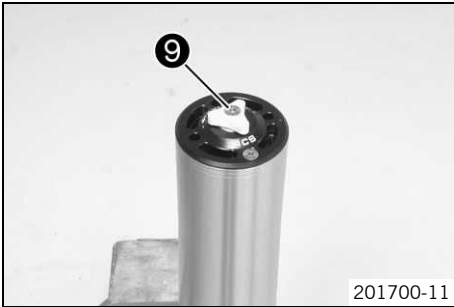
Cartridge on outer tube	M51x1.5	40 Nm (29.5 lbf ft)
-------------------------	---------	------------------------

Special socket (T14047) (☛ p. 280)

- Mount the adjuster. Mount and tighten screw 9.

Guideline

Screw, adjuster	M4x0.5	2.5 Nm (1.84 lbf ft)
-----------------	--------	-------------------------



Alternative 1

- Turn the adjuster of compression damping 10 (mark **COMP**) and the adjuster of rebound damping 11 (mark **REB**) all the way clockwise.

Guideline

Rebound damping	
Comfort	15 clicks
Standard	13 clicks
Sport	11 clicks
Compression damping	
Comfort	15 clicks
Standard	13 clicks
Sport	11 clicks

- Turn counterclockwise by the number of clicks corresponding to the fork type.

Alternative 2



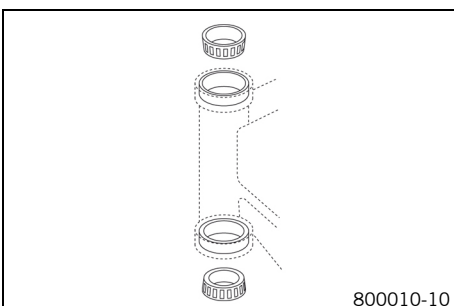
Warning

Danger of accidents Modifications to the suspension settings can seriously alter the vehicle's ride behavior.

- Extreme modifications to the adjustment of the suspension components can cause a serious deterioration in the handling characteristics and overload some components.
- Only make adjustments within the recommended range.
- After making adjustments, ride slowly at first to get the feel of the new ride behavior.

- Set the adjusters to the positions determined upon removal.

6.2.24 Greasing the steering head bearing



- Remove the lower triple clamp. (☛ p. 51)
- Install the lower triple clamp. (☛ p. 51)

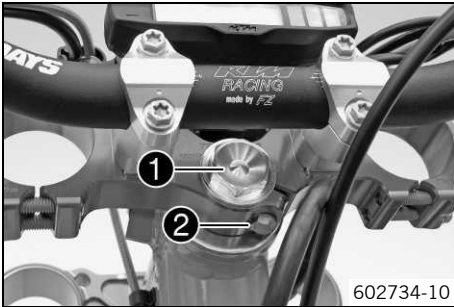
6.2.25 Removing the lower triple clamp

Preparatory work

- Raise the motorcycle with the lift stand. (☛ p. 10)
- Remove the front wheel. (☛ p. 93)
- Remove the headlight mask with the headlight. (☛ p. 89)
- Remove the fork legs. (☛ p. 34)
- Remove the front fender. (☛ p. 89)
- Remove the handlebar cushion.

Main work

- Remove screw ❶. Remove screw ❷, take off the upper triple clamp with the handlebar, and set it aside.

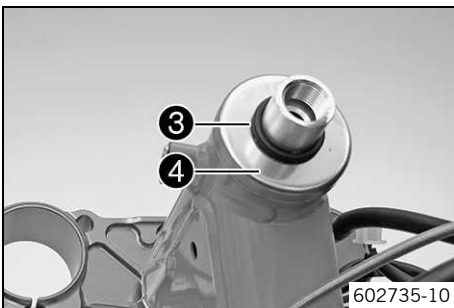


602734-10



Info

Protect the motorcycle and its attachments against damage by covering them.
Do not bend the cables and lines.



602735-10

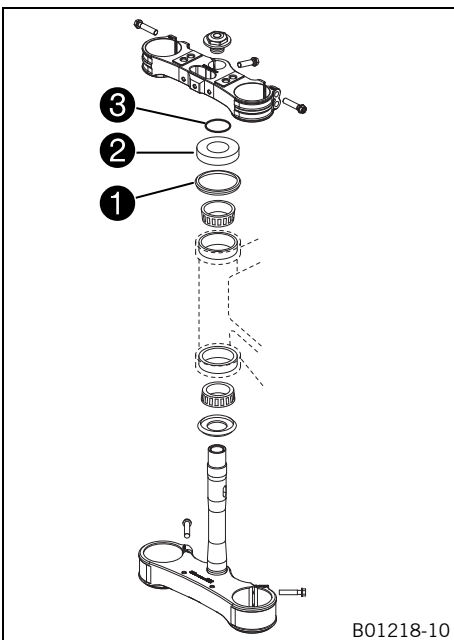
- Remove O-ring ❸. Remove protective ring ❹.
- Take out the lower triple clamp with the steering stem.
- Take out the upper steering head bearing.

6.2.26 Installing the lower triple clamp

Main work

- Clean the bearing and sealing elements, check for damage, and grease.

High viscosity grease (☛ p. 270)



B01218-10

- Insert the lower triple clamp with the steering stem. Mount the upper steering head bearing.
- Check whether the top steering head seal ❶ is correctly positioned.
- Slide on protective ring ❷ and O-ring ❸.



602736-10

- Position the upper triple clamp with the steering.
- Mount screw ❹ but do not tighten yet.
- Position the clutch line and wiring harness.

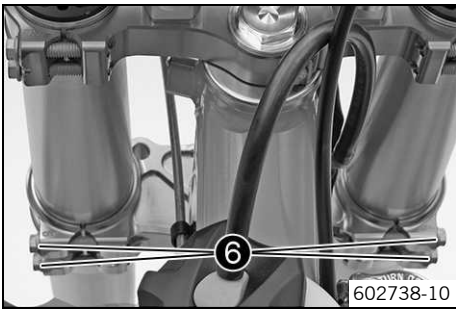


- Position the fork legs.



Info

The upper milled groove in the fork leg must be flush with the top edge of the upper triple clamp.
Position bleeder screws **5** toward the front.



- Tighten screws **6**.

Guideline

Screw, bottom triple clamp	M8	15 Nm (11.1 lbf ft)
----------------------------	----	------------------------



- Tighten screw **4**.

Guideline

Screw, top steering head	M20x1.5	12 Nm (8.9 lbf ft)
--------------------------	---------	--------------------



- Mount and tighten screw **7**.

Guideline

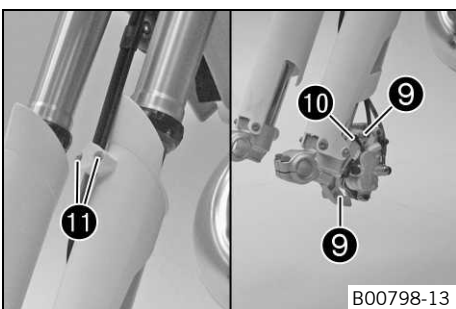
Screw, top steering stem	M8	17 Nm (12.5 lbf ft)	Loctite® 243™
--------------------------	----	------------------------	---------------



- Tighten screws **8**.

Guideline

Screw, top triple clamp	M8	17 Nm (12.5 lbf ft)
-------------------------	----	------------------------



- Position the brake caliper. Mount and tighten screws **9**.

Guideline

Screw, front brake caliper	M8	25 Nm (18.4 lbf ft)	Loctite® 243™
----------------------------	----	------------------------	---------------

- Mount cable binder **10**.
- Position the brake line, wiring harness and clamp. Mount and tighten screws **11**.
- Install the front fender. (☛ p. 89)
- Mount the handlebar cushion.
- Refit the headlight mask with the headlight. (☛ p. 90)
- Install the front wheel. (☛ p. 93)

Finishing work

- Check that the wiring harness, throttle cables and brake and clutch lines can move freely and are routed correctly.
- Check the play of the steering head bearing. (☛ p. 53)
- Remove the motorcycle from the lift stand. (☛ p. 10)

6.2.27 Checking the play of the steering head bearing



Warning

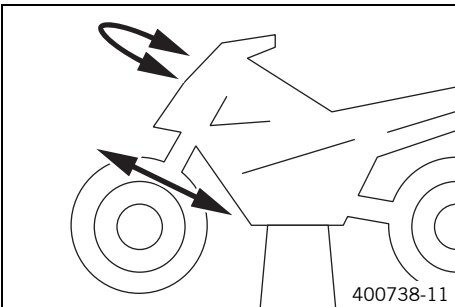
Danger of accidents Unstable vehicle handling from incorrect steering head bearing play.

- Adjust the steering head bearing play without delay.



Info

If the bike is ridden with play in the steering head bearing, the bearing and the bearing seats in the frame can become damaged over time.



Preparatory work

- Raise the motorcycle with the lift stand. (☛ p. 10)

Main work

- Move the handlebar to the straight-ahead position. Move the fork legs to and fro in the direction of travel.

No play should be noticeable in the steering head bearing.

- » If there is noticeable play present:
 - Adjust the play of the steering head bearing. (☛ p. 53)
- Move the handlebar to and fro over the entire steering range.

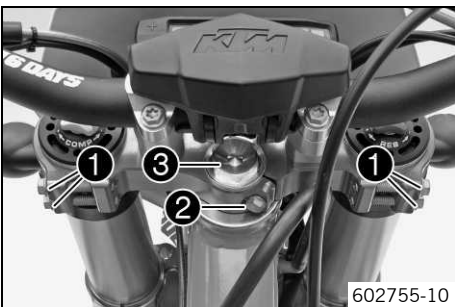
The handlebar must be able to move easily over the entire steering range. There should be no perceptible detent positions.

- » If detent positions are noticeable:
 - Adjust the play of the steering head bearing. (☛ p. 53)
 - Check the steering head bearing and replace if required.

Finishing work

- Remove the motorcycle from the lift stand. (☛ p. 10)

6.2.28 Adjusting the play of the steering head bearing



Preparatory work

- Raise the motorcycle with the lift stand. (☛ p. 10)

Main work

- Loosen screws ①. Remove screw ②.
- Loosen and retighten screw ③.

Guideline

Screw, top steering head	M20x1.5	12 Nm (8.9 lbf ft)
--------------------------	---------	--------------------

- Using a plastic hammer, tap lightly on the upper triple clamp to avoid strains.
- Tighten screws ①.

Guideline

Screw, top triple clamp	M8	17 Nm (12.5 lbf ft)
-------------------------	----	---------------------

- Mount and tighten screw ②.

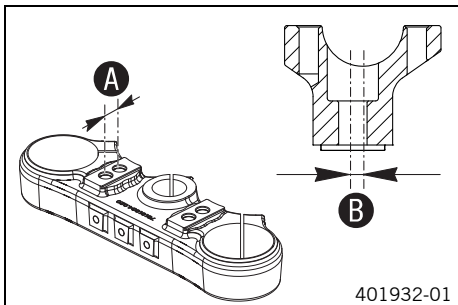
Guideline

Screw, top steering stem	M8	17 Nm (12.5 lbf ft)	Loctite® 243™
--------------------------	----	---------------------	---------------

Finishing work

- Check the play of the steering head bearing. (☛ p. 53)
- Remove the motorcycle from the lift stand. (☛ p. 10)

7.1 Handlebar position



On the upper triple clamp, there are two holes a distance of **A** apart.

Hole distance A	15 mm (0.59 in)
-----------------	-----------------

The holes on the handlebar support are placed at a distance of **B** from the center.

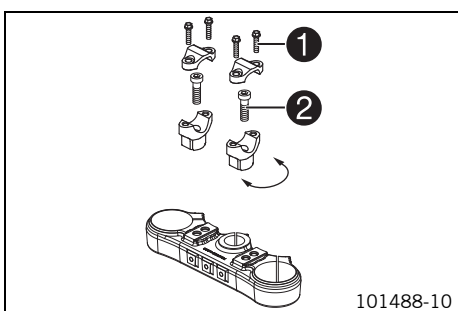
Hole distance B	3.5 mm (0.138 in)
-----------------	-------------------

The handlebar can be mounted in four different positions. In this way, the handlebar can be mounted in the position that is most comfortable for the rider.

7.2 Adjusting the handlebar position

Warning
Danger of accidents Handlebar breakage.

- If the handlebar is bent or straightened it will cause material fatigue, and the handlebar can break. Always replace handlebar.



- Remove screws **1**. Remove the handlebar clamp. Remove the handlebar and lay it to one side.

Info
 Protect the motorcycle and its attachments against damage by covering them.
 Do not bend the cables and lines.

- Remove screws **2**. Remove the handlebar support.
- Place the handlebar support in the required position. Mount and tighten screws **2**.

Guideline

Screw, handlebar support	M10	40 Nm (29.5 lbf ft)	Loctite® 243™
--------------------------	-----	------------------------	---------------

Info
 Position the left and right handlebar supports evenly.

- Position the handlebar.

Info
 Make sure cables and wiring are positioned correctly.

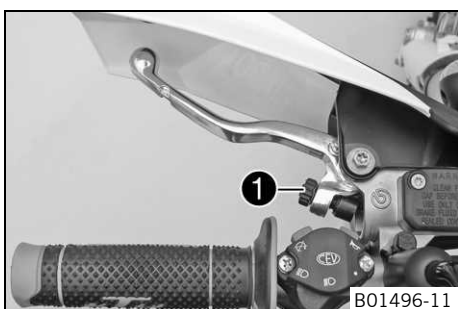
- Position the handlebar clamps. Mount screws **1** and tighten evenly.

Guideline

Screw, handlebar clamp	M8	20 Nm (14.8 lbf ft)
------------------------	----	------------------------

Info
 Make sure the gap widths are even.

7.3 Adjusting the basic position of the clutch lever



- Adjust the basic setting of the clutch lever to your hand size by turning adjusting screw **1**.

Info
 When the adjusting screw is turned counterclockwise, the clutch lever moves closer to the handlebar.
 When the adjusting screw is turned clockwise, the clutch lever moves away from the handlebar.
 The range of adjustment is limited.
 Turn the adjusting screw by hand only, and do not apply any force.
 Do not make any adjustments while riding!

7.4 Checking the routing of the throttle cable



Preparatory work

- Remove the seat. (☛ p. 85)
- Remove the fuel tank. (☛ p. 86)

Main work

- Check the routing of the throttle cable.

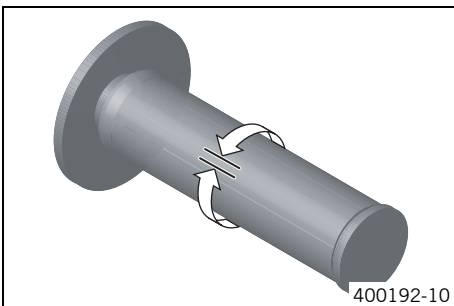
The throttle cable must be routed behind the handlebar, on the right of the upper frame tube, and to the carburetor.

- » If the throttle cable is not routed as specified:
 - Correct the routing of the throttle cable.

Finishing work

- Install the fuel tank. (☛ p. 87)
- Mount the seat. (☛ p. 86)

7.5 Checking the play in the throttle cable



- Check the throttle grip for smooth operation.
- Move the handlebar to the straight-ahead position. Move the throttle grip backwards and forwards to ascertain the play in the throttle cable.

Play in throttle cable	3... 5 mm (0.12... 0.2 in)
------------------------	----------------------------

- » If the throttle cable play does not meet specifications:
 - Adjust the play in the throttle cable. (☛ p. 56)



Danger

Danger of poisoning Exhaust gases are toxic and inhaling them may result in unconsciousness and/or death.

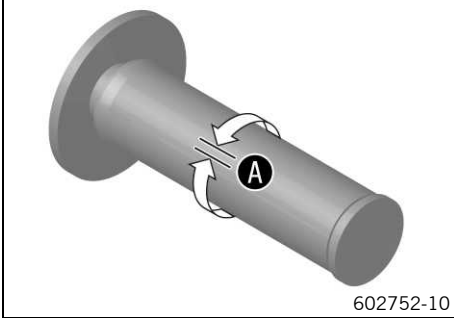
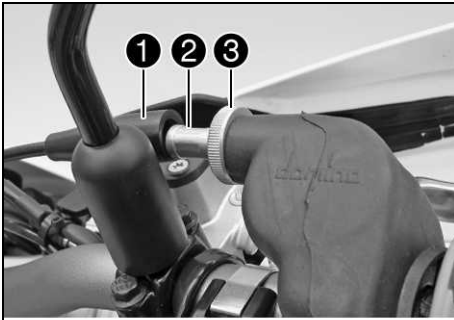
- When running the engine, always make sure there is sufficient ventilation, and do not start or run the engine in an enclosed space without an effective exhaust extraction system.

- Start the engine and let it run idle. Move the handlebar to and fro over the entire steering range.

The idle speed must not change.

- » If the idle speed changes:
 - Adjust the play in the throttle cable. (☛ p. 56)

7.6 Adjusting the play in the throttle cable



602752-10

Main work

- Move the handlebar to the straight-ahead position.
- Push back sleeve ①.
- Ensure that the throttle cable sleeve is pushed all the way into barrel adjuster ②.
- Loosen nut ③.
- Turn adjusting screw ② in such a way there is throttle cable play ④ in the throttle grip.

Guideline

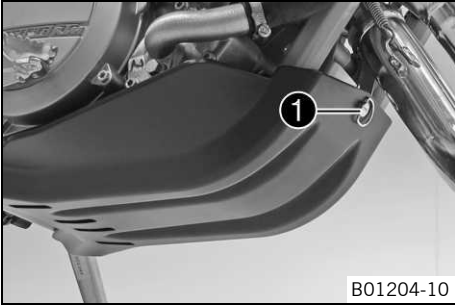
Play in throttle cable	3... 5 mm (0.12... 0.2 in)
------------------------	----------------------------

- Tighten nut ③.
- Slide on sleeve ①.

Finishing work

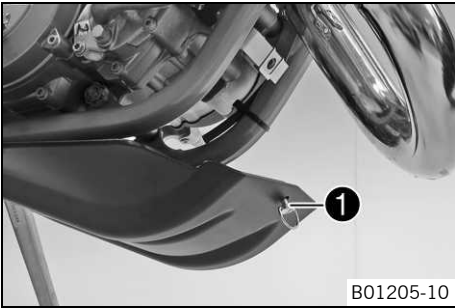
- Check the throttle grip for smooth operation.

8.1 Removing the engine guard (250/300 SIX DAYS)



- Turn quick release ❶ counterclockwise until it disengages. Remove the engine guard.

8.2 Installing the engine guard (250/300 SIX DAYS)

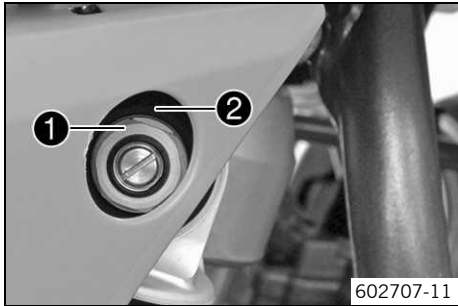


- Attach the engine guard at the back of the frame and swing it up at front.
- Turn quick release ❶ all the way clockwise.

9.1 Adjusting the high-speed compression damping of the shock absorber

Caution
Danger of accidents Disassembly of pressurized parts can lead to injury.
 – The shock absorber is filled with high density nitrogen. Adhere to the description provided.

Info
 The high-speed setting can be seen during the fast compression of the shock absorber.



- Turn adjusting screw ❶ all the way clockwise using a socket wrench.

Info
 Do not loosen nut ❷!

- Turn back counterclockwise by the number of turns corresponding to the shock absorber type.

Guideline

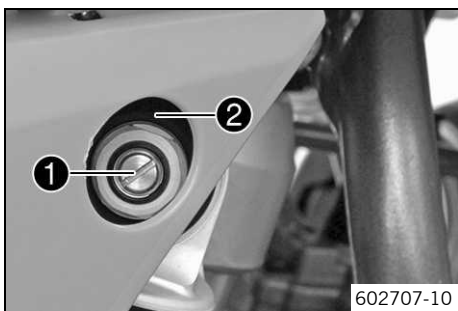
Compression damping, high-speed	
Comfort	2 turns
Standard	1.5 turns
Sport	1.25 turns

Info
 Turn clockwise to increase damping; turn counterclockwise to reduce damping.

9.2 Adjusting the low-speed compression damping of the shock absorber

Caution
Danger of accidents Disassembly of pressurized parts can lead to injury.
 – The shock absorber is filled with high density nitrogen. Adhere to the description provided.

Info
 The low-speed setting can be seen during the slow to normal compression of the shock absorber.



- Turn adjusting screw ❶ clockwise with a screwdriver to the last click.

Info
 Do not loosen nut ❷!

- Turn back counterclockwise by the number of clicks corresponding to the shock absorber type.

Guideline

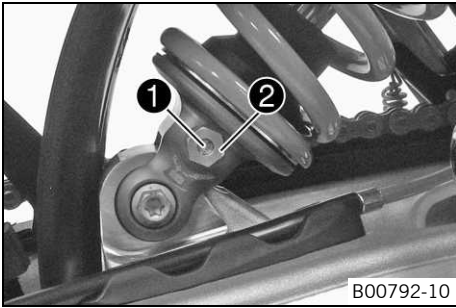
Compression damping, low-speed	
Comfort	25 clicks
Standard	20 clicks
Sport	15 clicks

Info
 Turn clockwise to increase damping; turn counterclockwise to reduce damping.

9.3 Adjusting the rebound damping of the shock absorber

Caution
Danger of accidents Disassembly of pressurized parts can lead to injury.

- The shock absorber is filled with high density nitrogen. Adhere to the description provided.



- Turn adjusting screw ❶ clockwise with a screwdriver to the last click.

i Info
 Do not loosen nut ❷!

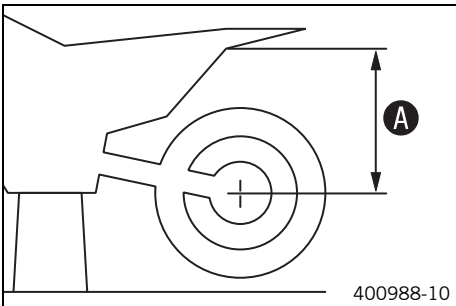
- Turn back counterclockwise by the number of clicks corresponding to the shock absorber type.

Guideline

Rebound damping	
Comfort	28 clicks
Standard	24 clicks
Sport	22 clicks

i Info
 Turn clockwise to increase damping; turn counterclockwise to reduce damping.

9.4 Measuring the sag of the unloaded rear wheel



Preparatory work

- Raise the motorcycle with the lift stand. (☛ p. 10)

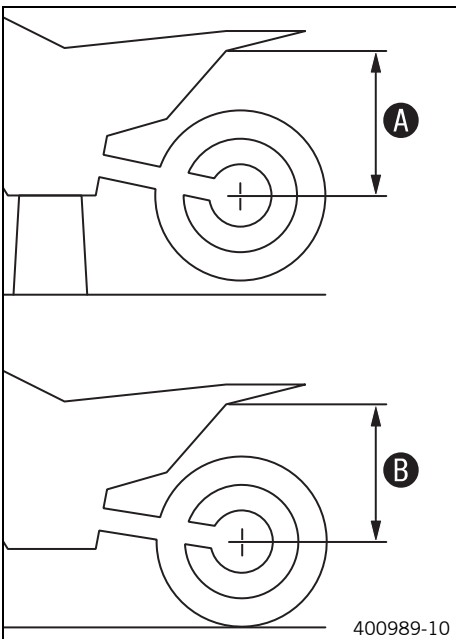
Main work

- Measure the distance – as vertically as possible – between the rear axle and a fixed point such as a mark on the side cover.
- Note down the value as dimension A.

Finishing work

- Remove the motorcycle from the lift stand. (☛ p. 10)

9.5 Checking the static sag of the shock absorber



- Measure distance A of the unloaded rear wheel. (☛ p. 59)
- Hold the motorcycle upright with the aid of an assistant.
- Measure the distance between the rear axle and the fixed point again.
- Note down the value as dimension B.

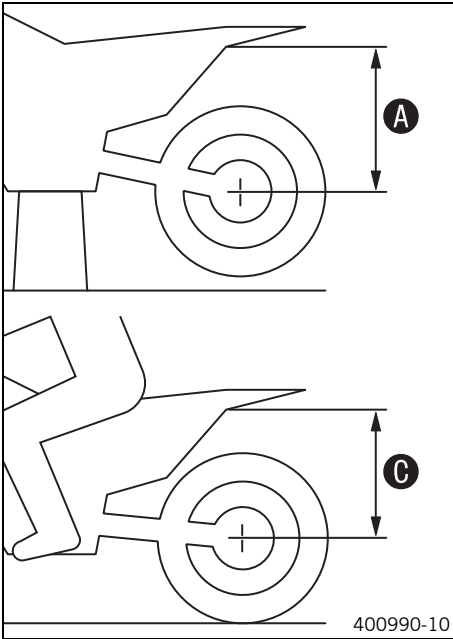
i Info
 The static sag is the difference between measurements A and B.

- Check the static sag.

Static sag	33... 35 mm (1.3... 1.38 in)
------------	------------------------------

- » If the static sag is less or more than the specified value:
 - Adjust the spring preload of the shock absorber. (☛ p. 60)

9.6 Checking the riding sag of the shock absorber



- Measure distance **A** of the unloaded rear wheel. (☞ p. 59)
- With another person holding the motorcycle, the rider, wearing full protective clothing, sits on the seat in a normal sitting position (feet on footrests) and bounces up and down a few times.
 - ✓ The rear wheel suspension levels out.
- Another person now measures the distance between the rear axle and the fixed point.
- Note down the value as dimension **C**.

i Info

The riding sag is the difference between measurements **A** and **C**.

- Check the riding sag.

Guideline

Riding sag	105... 115 mm (4.13... 4.53 in)
------------	---------------------------------

- » If the riding sag differs from the specified measurement:
 - Adjust the riding sag. (☞ p. 61)

9.7 Adjusting the spring preload of the shock absorber

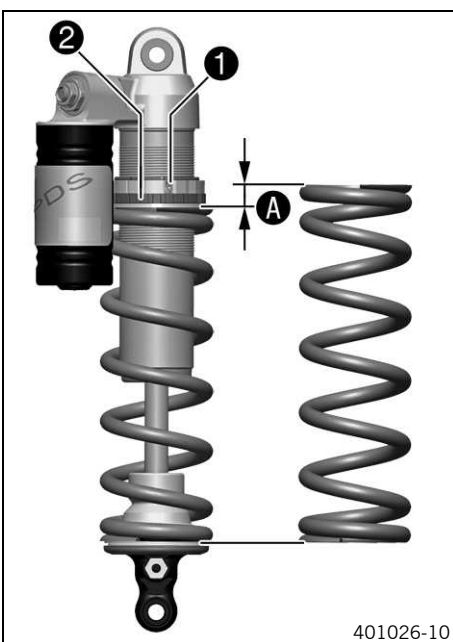
! Caution

Danger of accidents Disassembly of pressurized parts can lead to injury.

- The shock absorber is filled with high density nitrogen. Adhere to the description provided.

i Info

Before changing the spring preload, make a note of the present setting, e.g., by measuring the length of the spring.



Preparatory work

- Raise the motorcycle with the lift stand. (☞ p. 10)
- Remove the shock absorber. (☞ p. 61)
- After removing the shock absorber, clean it thoroughly.

Main work

- Loosen screw **1**.
- Turn adjusting ring **2** until the spring is no longer under tension.

Hook wrench (T106S) (☞ p. 276)

- Measure the overall spring length when not under tension.
- Tighten the spring by turning adjusting ring **2** to measurement **A**.

Guideline

Spring preload	
Comfort	7 mm (0.28 in)
Standard	7 mm (0.28 in)
Sport	7 mm (0.28 in)

i Info

Depending on the static sag and/or the riding sag, it may be necessary to increase or decrease the spring preload.

- Tighten screw **1**.

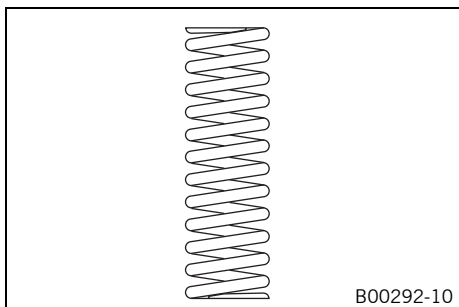
Guideline

Screw, shock absorber adjusting ring	M5	5 Nm (3.7 lbf ft)
--------------------------------------	----	-------------------

Finishing work

- Install the shock absorber. (☞ p. 61)
- Remove the motorcycle from the lift stand. (☞ p. 10)

9.8 Adjusting the riding sag



Preparatory work

- Raise the motorcycle with the lift stand. (☛ p. 10)
- Remove the shock absorber. (☛ p. 61)
- After removing the shock absorber, clean it thoroughly.

Main work

- Choose and mount a suitable spring.

Guideline

Spring rate	
Weight of rider: 65... 75 kg (143... 165 lb.)	66 N/mm (377 lb/in)
Weight of rider: 75... 85 kg (165... 187 lb.)	69 N/mm (394 lb/in)
Weight of rider: 85... 95 kg (187... 209 lb.)	72 N/mm (411 lb/in)



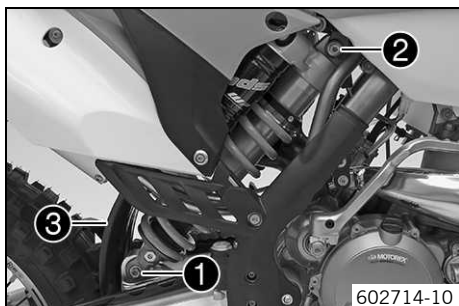
Info

The spring rate is shown on the outside of the spring.

Finishing work

- Install the shock absorber. (☛ p. 61)
- Remove the motorcycle from the lift stand. (☛ p. 10)
- Check the static sag of the shock absorber. (☛ p. 59)
- Check the riding sag of the shock absorber. (☛ p. 60)
- Adjust the rebound damping of the shock absorber. (☛ p. 59)

9.9 Removing the shock absorber



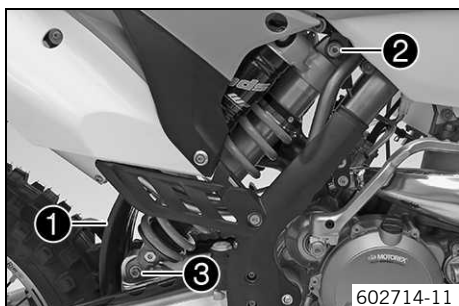
Preparatory work

- Raise the motorcycle with the lift stand. (☛ p. 10)

Main work

- Remove screw ① and lower the rear wheel with the swing arm as far as possible without blocking the rear wheel. Fix the rear wheel in this position.
- Remove screw ②, push splash protector ③ to the side, and remove the shock absorber.

9.10 Installing the shock absorber



Main work

- Push splash protector ① to the side and position the shock absorber. Mount and tighten screw ②.

Guideline

Screw, top shock absorber	M12	80 Nm (59 lbf ft)	Loctite® 2701™
---------------------------	-----	----------------------	----------------

- Mount and tighten screw ③.

Guideline

Screw, bottom shock absorber	M12	80 Nm (59 lbf ft)	Loctite® 2701™
------------------------------	-----	----------------------	----------------



Info

The heim joint for the shock absorber at the swing arm is Teflon coated. It must not be lubricated with grease or with other lubricants. Lubricants dissolve the Teflon coating, thereby drastically reducing the service life.

Finishing work

- Remove the motorcycle from the lift stand. (☛ p. 10)

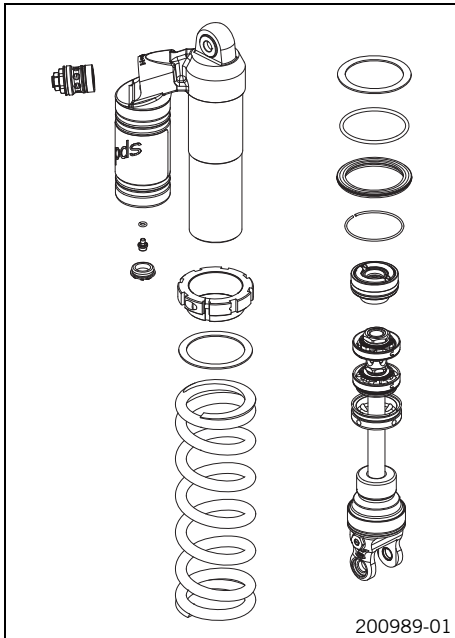
9.11 Servicing the shock absorber



Caution

Danger of accidents Disassembly of pressurized parts can lead to injury.

- The shock absorber is filled with high density nitrogen. Adhere to the description provided.



Condition

The shock absorber has been removed.

- Remove the spring. (☛ p. 62)
- Disassemble the damper. (☛ p. 63)
- Disassemble the piston rod. (☛ p. 64)
- Disassemble the seal ring retainer. (☛ p. 65)
- Check the damper. (☛ p. 67)
- Disassemble the rebound adjuster. (☛ p. 67)
- Remove the heim joint. (☛ p. 68)
- Install the heim joint. (☛ p. 69)
- Assemble the rebound adjuster. (☛ p. 70)
- Assemble the seal ring retainer. (☛ p. 70)
- Assemble the piston rod. (☛ p. 71)
- Assemble the damper. (☛ p. 72)
- Install the spring. (☛ p. 78)

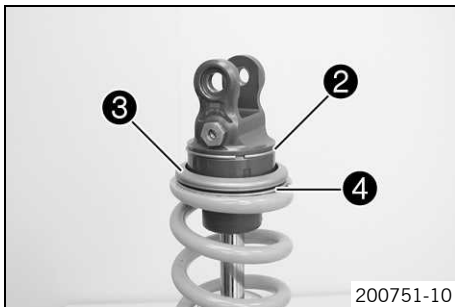
9.12 Removing the spring

Condition

The shock absorber has been demounted.

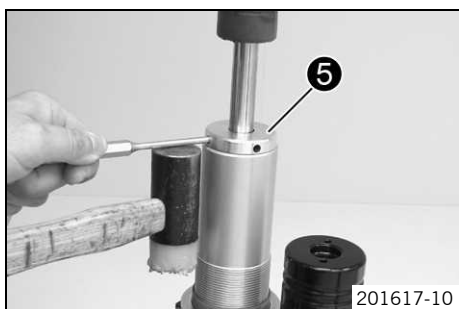
- Clamp the shock absorber in a bench vise using soft jaws.
- Measure and note down the spring length in a preloaded state.
- Loosen screw ❶.
- Turn the adjusting ring until the spring is no longer under tension.

Hook wrench (T106S) (☛ p. 276)



- Remove O-ring ❷.
- Remove spring retainer ❸ and intermediate washer ❹.
- Remove the spring.

9.13 Disassembling the damper



Preparatory work

- Remove the spring. (☛ p. 62)

Main work

- Note down the present state of rebound damping ① and compression damping ②.
- Completely open the adjustment elements of the rebound damping and compression damping.
- Remove rubber cap ③ of the reservoir.

- Slowly unscrew screw ④.
✓ The pressurized nitrogen is bled off.

- Remove locking cap ⑤.

- Press seal ring retainer ⑥ all the way in with the special tool.

Disassembly tool (T1216) (☛ p. 278)

- Remove lock ring ⑦.

i Info

Do not scratch the inner surface.

- Take out the damper.

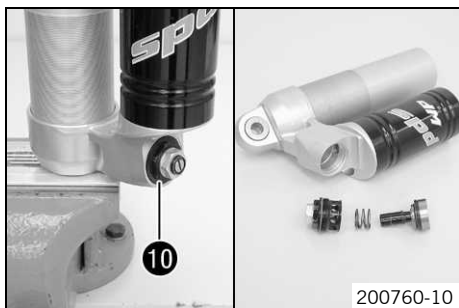
- Remove screw ⑧. Drain the oil.



- Remove the piston rod. Drain the remaining oil.



- Remove adjusting ring 9 with the intermediate washer.



- Remove compression adjuster 10. Remove the spring and piston.

9.14 Disassembling the piston rod

Preparatory work

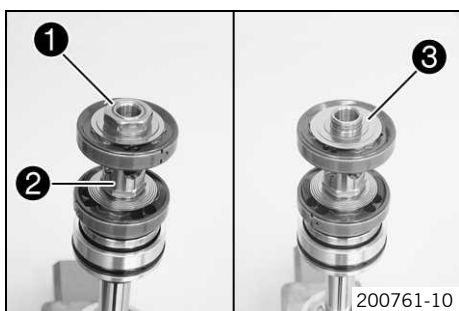
- Remove the spring. (☛ p. 62)
- Disassemble the damper. (☛ p. 63)

Main work

- Clamp the piston rod with the fork in a bench vise.

Guideline

Use soft jaws.



- Remove nut 1.



Info

If mount 2 is loosened, apply counteractive force.

- Remove rebound damping shim stack 3.



Info

Guide the rebound damping shim stack onto a screwdriver and put them aside together.

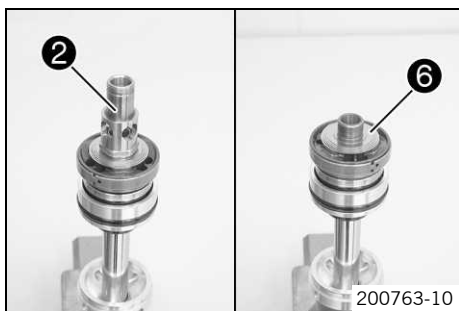


- Remove piston 4.
- Remove compression damping shim stack 5.



Info

Guide the compression damping shim stack onto a screwdriver and put them aside together.



- Unscrew and remove mount ②.
- Remove rebound damping shim stack ⑥.



Info

Guide the rebound damping shim stack onto a screwdriver and put them aside together.

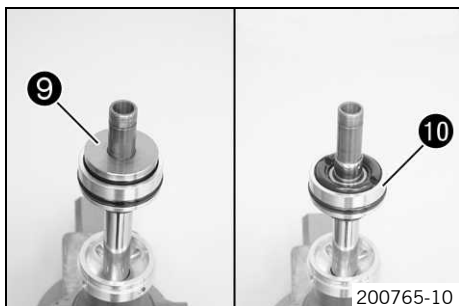


- Remove piston ⑦.
- Remove compression damping shim stack ⑧.

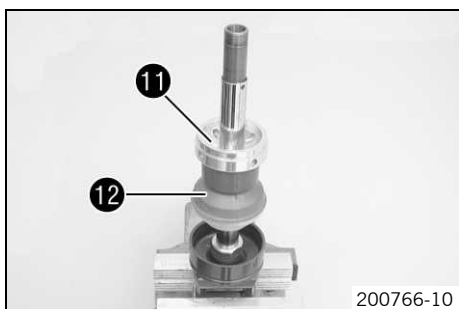


Info

Guide the compression damping shim stack onto a screwdriver and put them aside together.



- Remove rebound damping washer ⑨.
- Remove seal ring retainer ⑩.



- Remove locking cap ⑪ and bump rubber ⑫.

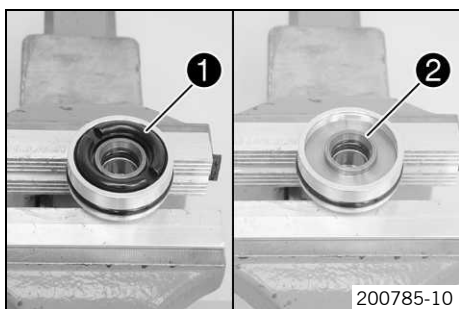
9.15 Disassembling the seal ring retainer

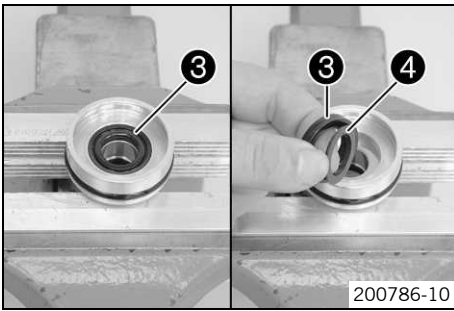
Preparatory work

- Remove the spring. (☛ p. 62)
- Disassemble the damper. (☛ p. 63)
- Disassemble the piston rod. (☛ p. 64)

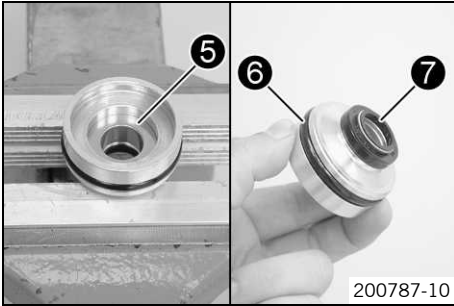
Main work

- Remove rebound rubber ①.
- Remove centering disk ②.





- Remove seal ring ③.
- Remove washer ④ from seal ring ③.



- Remove washer ⑤.
- Remove O-ring ⑥.
- Remove dust boot ⑦.

9.16 Replacing the pilot bushing

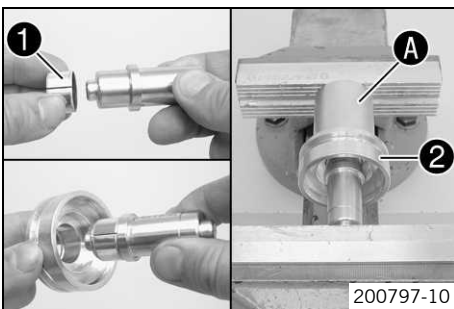
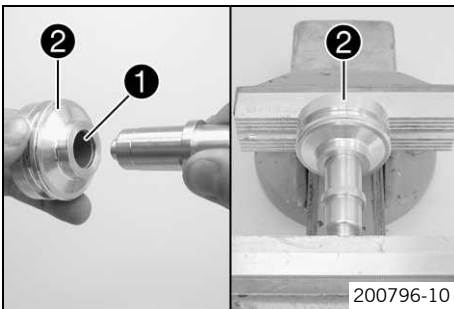
Preparatory work

- Remove the spring. (☛ p. 62)
- Disassemble the damper. (☛ p. 63)
- Disassemble the piston rod. (☛ p. 64)
- Disassemble the seal ring retainer. (☛ p. 65)

Main work

- Press pilot bushing ① out of seal ring retainer ② using the special tool.

Press drift (T1504) (☛ p. 280)



- Slide the new pilot bushing ① onto the special tool.

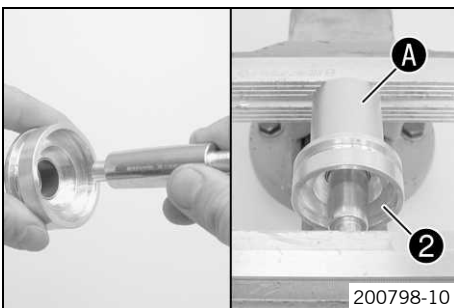
Press drift (T1504) (☛ p. 280)

- Position the pilot bushing in the seal ring retainer using the special tool.

Press drift (T1504) (☛ p. 280)

- Support seal ring retainer ② with the sleeve A of the special tool. Press the pilot bushing all the way in.

Assembly tool (T150S) (☛ p. 281)



- Lubricate the special tool.

Shock absorber oil (SAE 2.5) (50180342S1) (☛ p. 269)

Calibration pin (T1205) (☛ p. 277)

- Support seal ring retainer ② with the sleeve A of the special tool.

Assembly tool (T150S) (☛ p. 281)

- Press the special tool through the new pilot bushing.

Calibration pin (T1205) (☛ p. 277)

✓ The pilot bushing is to be calibrated.

Finishing work

- Assemble the seal ring retainer. (☛ p. 70)

9.17 Checking the damper



Condition

The damper has been disassembled.

- Measure the inside diameter on both ends and in the middle of the damper cartridge.

Damper cartridge	
Diameter	50.08 mm (1.9716 in)

- » If the measured value is greater than the specified value:
 - Replace the damper cartridge.
- Check the damper cartridge for damage and wear.
 - » If there is damage or wear:
 - Replace the damper cartridge.
- Check the heim joint for damage and wear.
 - » If there is damage or wear:
 - Replace the heim joint.
- Measure the diameter of the piston rod.

Piston rod	
Diameter	17.95 mm (0.7067 in)

- » If the measured value is smaller than the specified value:
 - Replace the piston rod.
- Measure the run-out of the piston rod.

Piston rod	
Run-out	0.02 mm (0.0008 in)

- » If the measured value is greater than the specified value:
 - Replace the piston rod.
- Check the piston rod for damage and wear.
 - » If there is damage or wear:
 - Replace the piston rod.
- Check the piston rings for damage and wear.
 - » If damage or a bronze-colored surface is visible:
 - Replace the piston rings.



9.18 Disassembling the rebound adjuster

Preparatory work

- Remove the spring. (☛ p. 62)
- Disassemble the damper. (☛ p. 63)
- Disassemble the piston rod. (☛ p. 64)

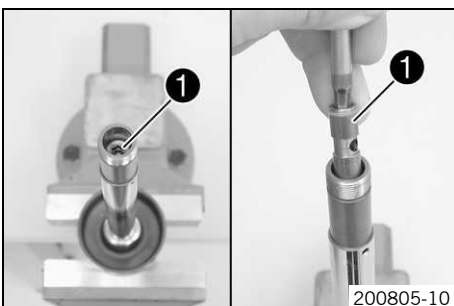
Main work

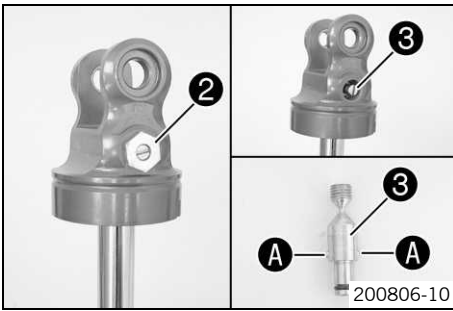
- Warm up the piston rod in the area of the rebound damping valve seat.

Guideline

80 °C (176 °F)

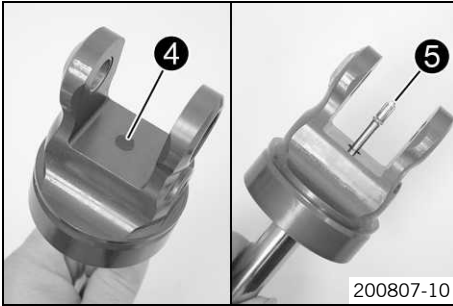
- Remove rebound damping valve seat ❶.





- Remove screwsleeve ②.
- Remove adjusting screw ③.

i Info
Do not lose balls ① and spring.

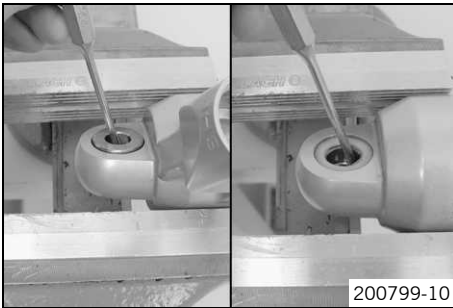


- Remove rubber plug ④.
- From the opposite side, press rebound needle ⑤ out of the piston rod.

9.19 Removing the heim joint

Condition

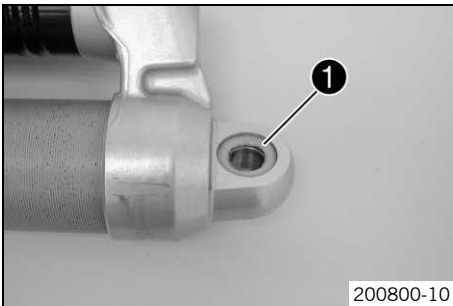
The shock absorber has been demounted.



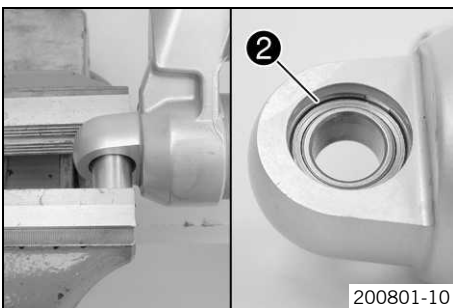
- Clamp the shock absorber in a vise using soft jaws.
- Remove the collar bushing of the heim joint.

Pin (T120) (☛ p. 276)

- Turn the shock absorber around and remove the second heim joint collar bushing.



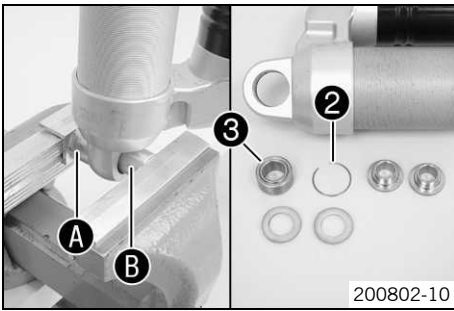
- Remove seal ring ① on both sides.



- Press the heim joint against a lock ring using the special tool.

Pressing tool (T1207S) (☛ p. 277)

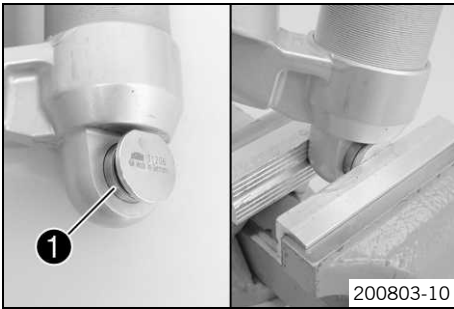
- Remove the second lock ring ②.



- Place special tool **A** underneath and press out heim joint **3** using special tool **B**.

Pressing tool (T1207S) (☛ p. 277)

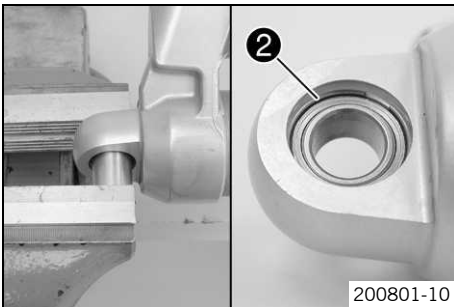
9.20 Installing the heim joint



- Position new heim joint **1** and special tool.

Pressing tool (T1206) (☛ p. 277)

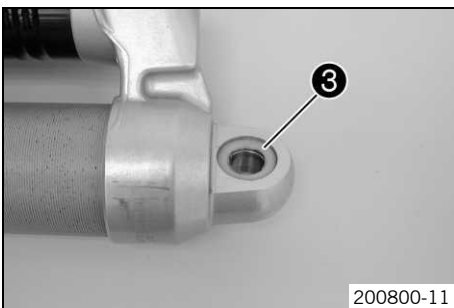
- Press in the heim joint all the way.



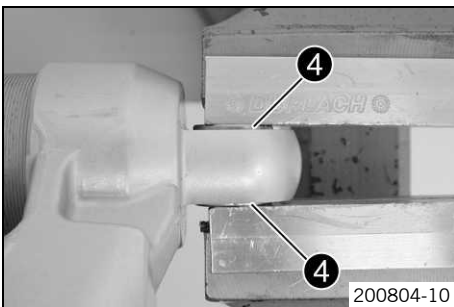
- Press the heim joint against the lock ring using the special tool.

Pressing tool (T1207S) (☛ p. 277)

- Mount the second lock ring **2**.

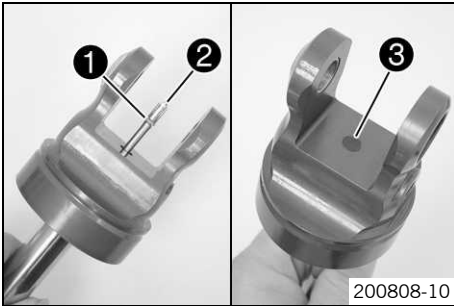


- Mount seal ring **3** on both sides.



- Position both collar bushings **4** and press in.

9.21 Assembling the rebound adjuster



- Grease O-ring 1 of the rebound needle.

Lubricant (T158) (☛ p. 270)

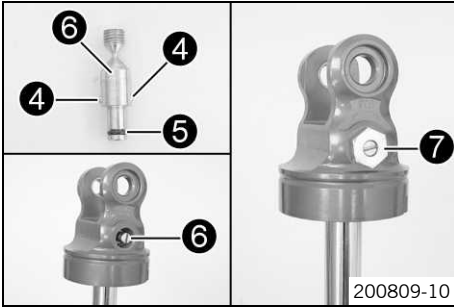
- Mount rebound needle 2 in the piston rod.



Info

Push in the rebound needle to the point where it is possible to mount the rebound damping adjusting screw.

- Mount rubber plug 3.



- Lubricate spring, balls 4 and O-ring 5.

Lubricant (T159) (☛ p. 270)

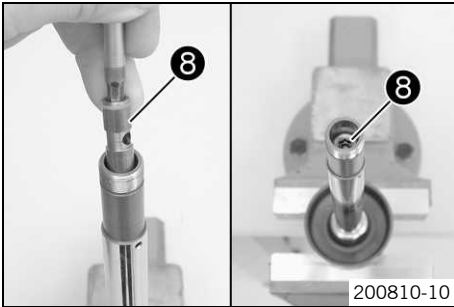
- Screw in the rebound damping adjusting screw 6 all the way.
- Mount and tighten screw sleeve 7.

Guideline

Screw sleeve	M14x1	18 Nm (13.3 lbf ft)
--------------	-------	------------------------

- Screw out the rebound damping adjusting screw 6 to the stop.
- Grease the O-ring of the rebound damping seat.

Lubricant (T159) (☛ p. 270)



- Mount and tighten rebound damping valve seat 8.

Guideline

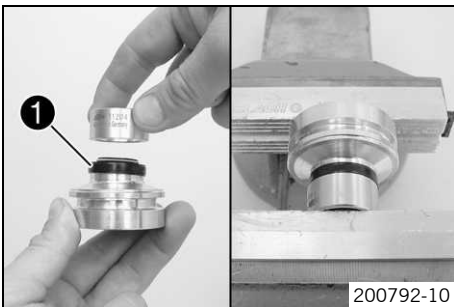
Rebound damping valve seat	M8x1	6 Nm (4.4 lbf ft)	Loctite® 2701™
----------------------------	------	----------------------	-----------------------



Info

The rebound damping valve seat must be pressed inward before tightening.

9.22 Assembling the seal ring retainer

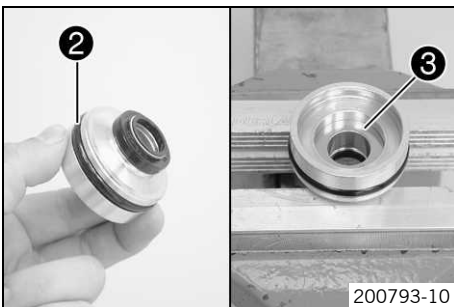


- Mount dust boot 1 with the special tool.

Mounting sleeve (T1204) (☛ p. 277)

- Grease the sealing lip of the dust boot.

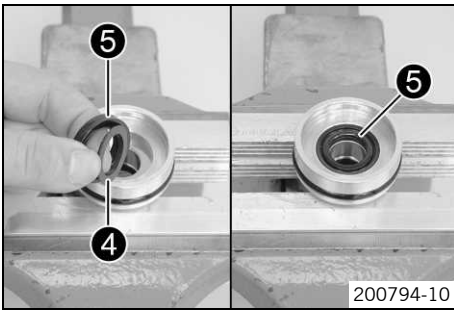
Lubricant (T625) (☛ p. 270)



- Grease the O-ring groove.

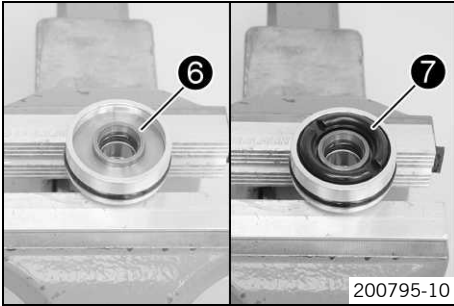
Lubricant (T158) (☛ p. 270)

- Mount O-ring 2.
- Mount washer 3.



- Position washer 4 on seal ring 5.
- Grease the seal ring and mount with the washer facing downward.

Lubricant (T511) (☛ p. 270)



- Mount centering disk 6.
- Mount rebound rubber 7.

9.23 Assembling the piston rod

Preparatory work

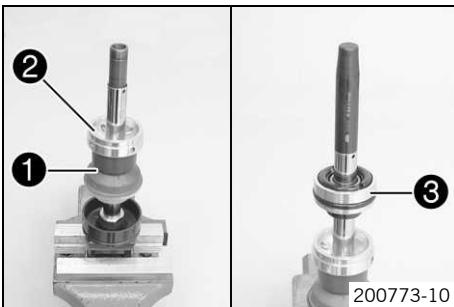
- Assemble the seal ring retainer. (☛ p. 70)
- Assemble the rebound adjuster. (☛ p. 70)

Main work

- Clamp the piston rod with the fork in a bench vise.

Guideline

Use soft jaws.

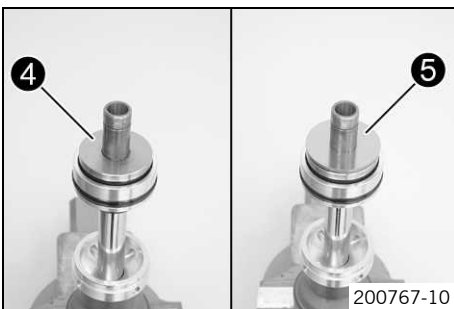


- Mount bump rubber 1 and locking cap 2.
- Position the special tool on the piston rod.

Mounting sleeve (T1215) (☛ p. 278)

- Grease the dust boot and slide seal ring retainer 3 onto the piston rod.

Lubricant (T625) (☛ p. 270)



- Remove the special tool.
- Mount rebound damping washer 4.
- Mount the compression shim stack 5 with the smaller shims facing downward.



- Grind piston 6 on both sides, using 1200 grit sandpaper on a surfacing plate.
- Clean the piston.
- Mount the piston.

Guideline

View A	Top view of piston
View B	Bottom view of piston



- Mount rebound damping shim stack 7 with the smaller shims at the top.
- Apply thread locker to the threads of the piston rod.

Loctite® 2701™

- Screw on mount 8 to the point where the piston can still be turned.



- Mount the compression shim stack 9 with the smaller shims facing downward.



- Grind piston 10 on both sides on a surface plate using 1200 grit sandpaper.
- Clean the piston.
- Mount the piston.

Guideline

View A	Top view of piston
View B	Bottom view of piston



- Mount rebound damping shim stack 11 with the smaller shims facing upward.
- Grease the threads of the mount.

Lubricant (T152) (☛ p. 270)

- Mount nut 12, but do not tighten it yet.



- Align both pistons using the special tool.

Centering sleeve (T1214) (☛ p. 277)

- Tighten the nut.

Guideline

Piston rod nut	M16x1	40 Nm (29.5 lbf ft)
----------------	-------	------------------------

- Remove the special tool.

9.24 Assembling the damper

Preparatory work

- Assemble the seal ring retainer. (☛ p. 70)
- Assemble the rebound adjuster. (☛ p. 70)
- Assemble the piston rod. (☛ p. 71)



Main work

- Slide the spring and piston onto compression adjuster ①.
- Grease the O-ring.

Lubricant (T158) (☛ p. 270)

- Grease the threads.

Lubricant (T159) (☛ p. 270)

- Mount and tighten the compression adjuster.

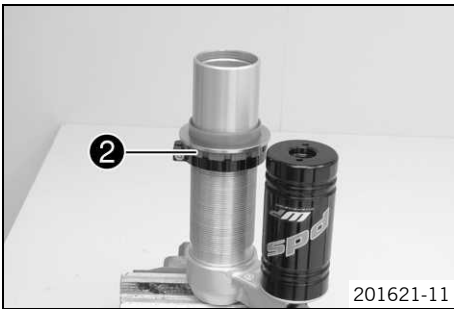
Guideline

Compression adjuster	M31x1	50 Nm (36.9 lbf ft)
----------------------	-------	------------------------

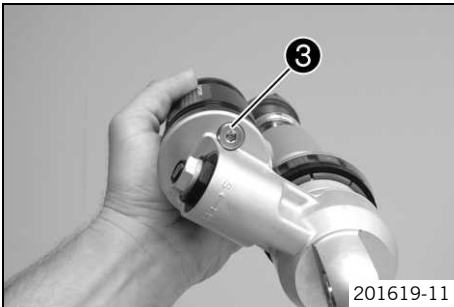
- Install adjusting ring ② with an intermediate washer.

i Info

The adjusting ring cannot be mounted after the piston rod has been assembled!



- Mount screw ③ but do not tighten yet.



- Grease the O-ring of the seal ring retainer.

Lubricant (T158) (☛ p. 270)

- Fill the damper cartridge approximately half way.

Shock absorber oil (SAE 2.5) (50180342S1) (☛ p. 269)

- Carefully mount the piston rod.



- Mount seal ring retainer ④ and slide it under the ring groove.

- Mount lock ring ⑤.

i Info

Do not scratch the inner surface.

- Pull out the piston rod in order that the seal ring retainer fits closely against the lock ring.



- Mount locking cap ⑥ of the damper cartridge.

- Bleed and fill the damper. (☛ p. 75)

- Fill the damper with nitrogen. (☛ p. 77)





- Mount rubber cap 7 of the reservoir.
- Turn adjusting ring 8 completely down toward the bottom.



Alternative 1

- Turn adjusting screw 9 clockwise with a screwdriver up to the last perceptible click.
- Turn back counterclockwise by the number of clicks corresponding to the shock absorber type.

Guideline

Compression damping, low-speed	
Comfort	25 clicks
Standard	20 clicks
Sport	15 clicks

- Turn adjusting screw 10 clockwise with an open end wrench until it stops.
- Turn back counterclockwise by the number of turns corresponding to the shock absorber type.

Guideline

Compression damping, high-speed	
Comfort	2 turns
Standard	1.5 turns
Sport	1.25 turns

- Turn adjusting screw 11 clockwise up to the last perceptible click.
- Turn back counterclockwise by the number of clicks corresponding to the shock absorber type.

Guideline

Rebound damping	
Comfort	28 clicks
Standard	24 clicks
Sport	22 clicks

Alternative 2



Warning

Danger of accidents Modifications to the suspension settings can seriously alter the vehicle's ride behavior.

- Extreme modifications to the adjustment of the suspension components can cause a serious deterioration in the handling characteristics and overload some components.
- Only make adjustments within the recommended range.
- After making adjustments, ride slowly at first to get the feel of the new ride behavior.

- Mount adjusting screws 9, 10 and 11 in the positions determined when disassembling.

9.25 Bleeding and filling the damper

i Info

Before working with the vacuum pump, carefully read the vacuum pump operating manual. Completely open the adjusters of the rebound and compression damping.



- Remove the screw from the filling port.
- Mount adapter ① on the damper.

i Info

Hand-tighten only without using a tool.

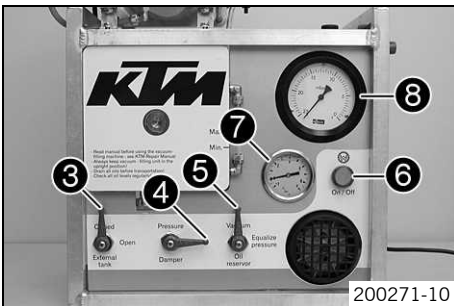
- Connect adapter ① to connector ② of the vacuum pump.

Vacuum pump (T1240S) (☛ p. 278)

- Clamp the damper with soft jaws or hold it as shown in the photo.

i Info

Clamp the damper only lightly. The filling port must be located at the highest point. The piston rod moves in and out during filling; do not immobilize it by holding it with your hand.



- Position the control lever as shown in the photo.
 - ✓ Control lever **External tank** ③ is set to **Closed**; **Damper** ④ is set to **Vacuum**; and **Oil reservoir** ⑤ is set to **Vacuum**.
- Activate **On/Off** switch ⑥.
 - ✓ The suction process begins.
 - ✓ Pressure gauge ⑦ drops to the required value.

< 0 bar

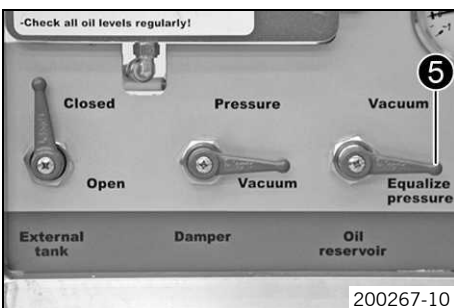
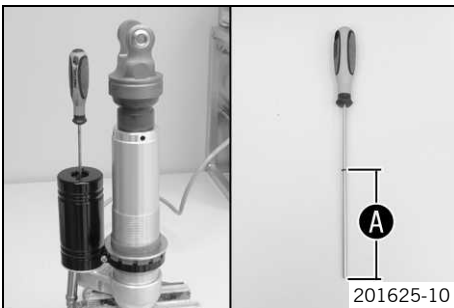
- ✓ Vacuum gauge ⑧ drops to the required value.

4 mbar

- Determine distance **A** between the floating piston and reservoir hole with the special tool.

Depth micrometer (T107S) (☛ p. 276)

- ✓ The floating piston is positioned in the lowermost position.



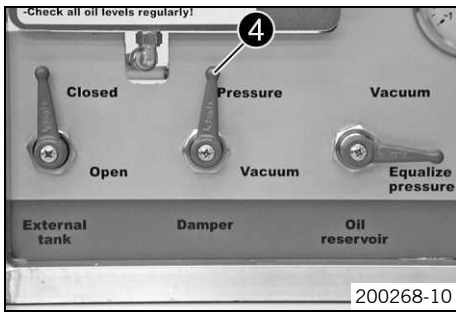
- When the vacuum gauge reaches the required value, turn control lever **Oil reservoir** ⑤ to **Equalize pressure**.

Guideline

4 mbar

- ✓ The pressure gauge increases to the required value.

0 bar



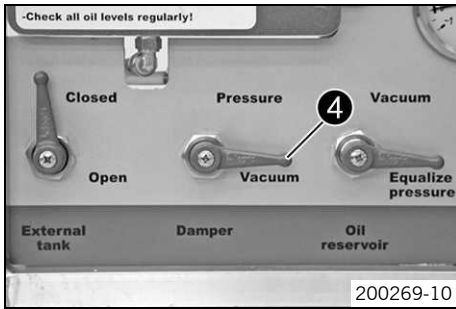
- When the pressure gauge reaches the required value, turn control lever **Damper 4** to **Pressure**.

Guideline

0 bar

- ✓ Oil is pumped into the damper.
- ✓ The pressure gauge increases to the required value.

3 bar



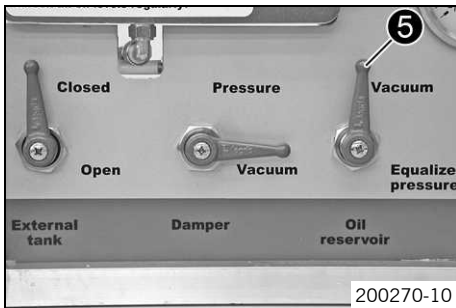
- When the pressure gauge reaches the required value, turn control lever **Damper 4** to **Vacuum**.

Guideline

3 bar

- ✓ The pressure gauge drops to the required value.

0 bar



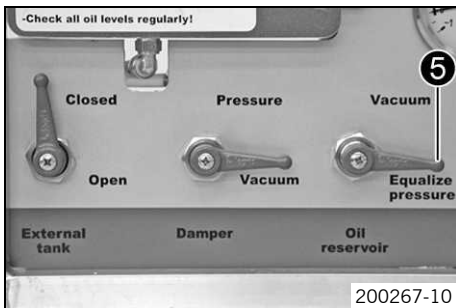
- When the pressure gauge reaches the required value, turn control lever **Oil reservoir 5** to **Vacuum**.

Guideline

0 bar

- ✓ The vacuum gauge drops to the required value.

8 mbar



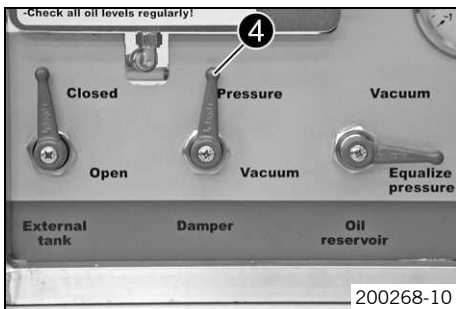
- When the vacuum gauge reaches the required value, turn control lever **Oil reservoir 5** to **Equalize Pressure**.

Guideline

8 mbar

- ✓ The pressure gauge drops to the required value.

0 bar



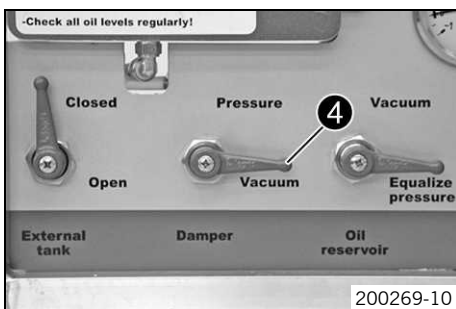
- When the pressure gauge reaches the required value, turn control lever **Damper 4** to **Pressure**.

Guideline

0 bar

- ✓ Oil is pumped into the damper.
- ✓ The pressure gauge increases to the required value.

3 bar



- When the pressure gauge reaches the required value, turn control lever **Damper 4** to **Vacuum**.

Guideline

3 bar

- ✓ The pressure gauge drops to the required value.

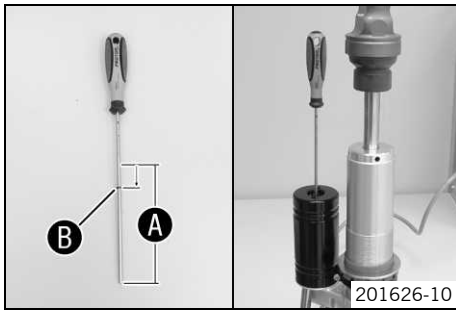
0 bar

- When the pressure gauge reaches the required value, activate the **On/Off** switch.

Guideline

0 bar

- ✓ The vacuum pump is switched off.



- Slide O-ring **B** to the end of the special tool by the specified value (distance **A** minus specified value).

Guideline

10 mm

Depth micrometer (T107S) (☛ p. 276)

- Push the floating piston into the reservoir to the distance described above using the special tool.

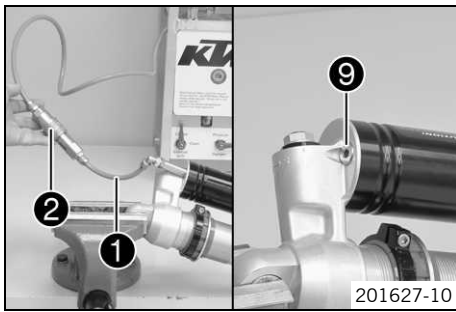
i Info

When the piston rod is fully extended, the floating piston must be at precisely this position; otherwise, damage will occur when the shock absorber compresses and rebounds.

- Remove the special tool.
- Remove adapter **1** from connector **2** of the vacuum pump.

i Info

Hold the damper so that the filling port is at the highest point.

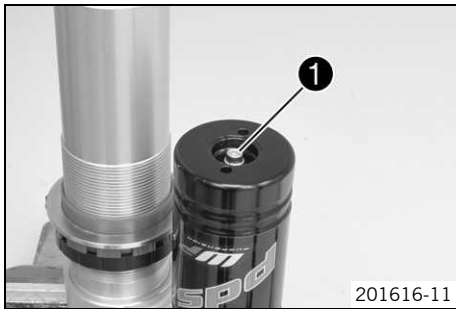


- Remove the adapter.
- Mount and tighten screw **9**.

Guideline

Filling port screw	M10x1	14 Nm (10.3 lbf ft)
--------------------	-------	------------------------

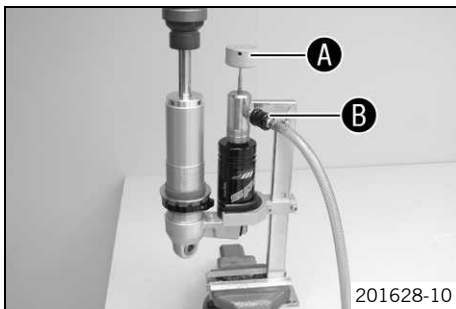
9.26 Filling the damper with nitrogen



- Screw in the screw **1** approx. two turns, but do not tighten.

i Info

The piston rod is completely extended.



- Keep the special tool in place in the bench vise.

Nitrogen filling tool (T170S1) (☛ p. 281)

- Connect the special tool to the pressure regulator of the filling cylinder.

Filling gas - nitrogen

- Adjust the pressure regulator.

Guideline

Gas pressure	10 bar (145 psi)
--------------	------------------

- Position the shock absorber in the special tool.

✓ The hexagonal part of tap handle **A** engages in the hexagon socket of the screw of the filling port.

- Open spigot **B**.
- Fill the shock absorber for at least 15 seconds.

Guideline

Gas pressure	10 bar (145 psi)
--------------	------------------

i Info

Monitor the pressure control valve indicator. Ensure that the shock absorber has been filled to the specified pressure.

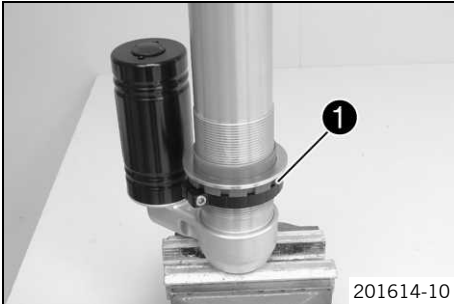
- Screw the filling port shut with tap handle **A**.

- Close spigot ③ and remove the damper from the special tool.
- Tighten the screw of the filling port.

Guideline

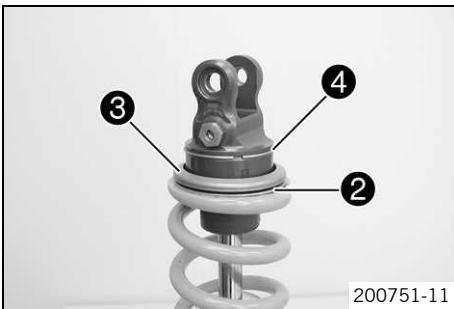
Reservoir filling port screw	M5	3.5 Nm (2.58 lbf ft)
------------------------------	----	-------------------------

9.27 Installing the spring



201614-10

- Ensure that adjusting ring ① is screwed on with the intermediate washer.



200751-11

- Measure the overall spring length when not under tension.
- Position the spring.

Guideline

Spring rate	
Weight of rider: 65... 75 kg (143... 165 lb.)	66 N/mm (377 lb/in)
Weight of rider: 75... 85 kg (165... 187 lb.)	69 N/mm (394 lb/in)
Weight of rider: 85... 95 kg (187... 209 lb.)	72 N/mm (411 lb/in)

- Mount intermediate washer ② and spring retainer ③.
- Mount ring ④.

Alternative 1

- Tighten the spring by turning adjusting ring to measurement.

Guideline

Spring preload	
Comfort	7 mm (0.28 in)
Standard	7 mm (0.28 in)
Sport	7 mm (0.28 in)

Hook wrench (T106S) (☛ p. 276)

Alternative 2



Warning

Danger of accidents Modifications to the suspension settings can seriously alter the vehicle's ride behavior.

- Extreme modifications to the adjustment of the suspension components can cause a serious deterioration in the handling characteristics and overload some components.
- Only make adjustments within the recommended range.
- After making adjustments, ride slowly at first to get the feel of the new ride behavior.

- Tighten the spring by turning the adjusting ring to the measured value determined when it was removed.

Hook wrench (T106S) (☛ p. 276)



- Tighten screw 5.

Guideline

Screw, shock absorber adjusting ring	M5	5 Nm (3.7 lbf ft)
--------------------------------------	----	-------------------

9.28 Changing the heim joint

Preparatory work

- Raise the motorcycle with the lift stand. (☛ p. 10)

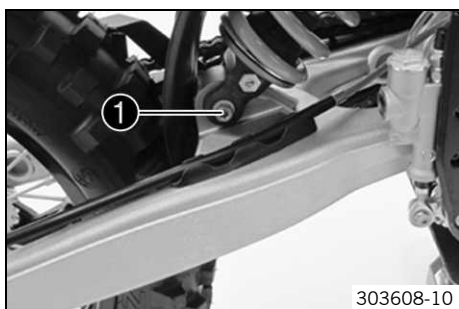
Main work

- Remove screw 1 and lower the rear wheel with the swing arm as far as possible without blocking the rear wheel. Fix the rear wheel in this position.

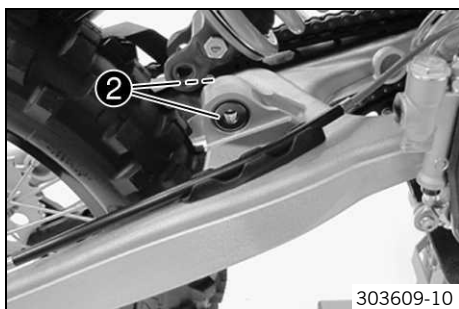


Info

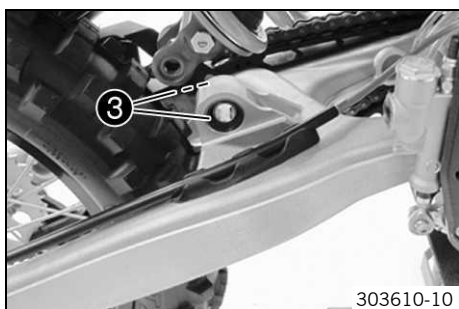
Raise the wheel slightly to make it easier to remove the screw.



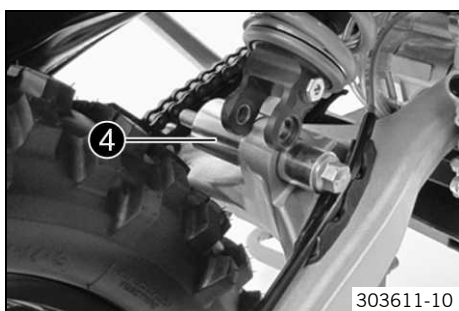
- Move the shock absorber to the rear.



- Remove spacers 2 on both sides.



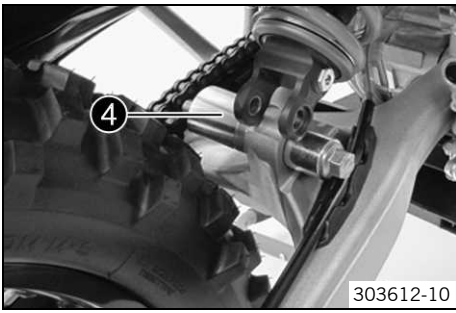
- Remove shaft seal rings 3 on both sides.



- Mount special tool 4.

Mounting tool, heim joint (50329000044) (☛ p. 272)
--

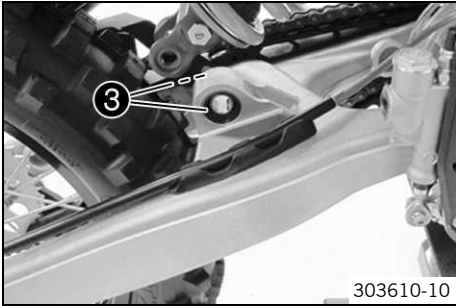
- Press out the heim joint by screwing in the screw.



- Position the new heim joint.
- Mount special tool 4.

Mounting tool, heim joint (50329000044) (☛ p. 272)

- Press in the heim joint by screwing in the screw.

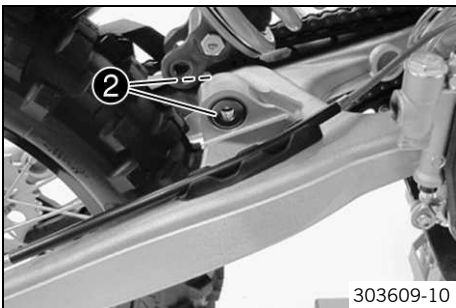


- Press in shaft seal rings 3 on both sides with the open side facing inward.

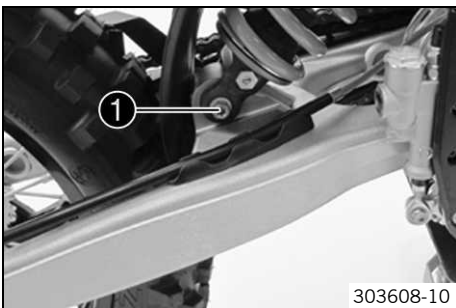


Info

The heim joint for the shock absorber at the swing arm is Teflon coated. It must not be greased with grease or with other lubricants. Lubricants dissolve the Teflon coating, thereby drastically reducing the service life.



- Mount spacers 2 on both sides.



- Position the shock absorber.
- Mount and tighten screw 1.

Guideline

Screw, bottom shock absorber	M12	80 Nm (59 lbf ft)	Loctite® 2701™
------------------------------	-----	----------------------	----------------



Info

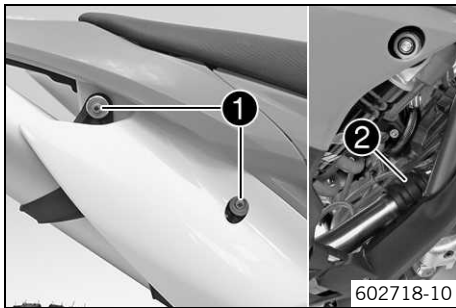
Raise the wheel slightly to make it easier to mount the screw.

Finishing work

- Remove the motorcycle from the lift stand. (☛ p. 10)

10.1 Removing the main silencer

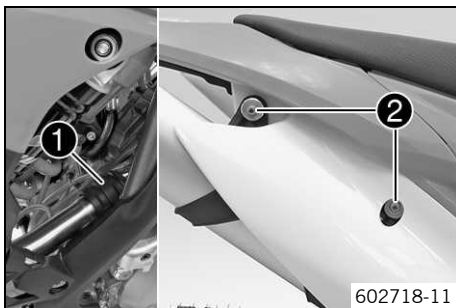
- Warning**
Danger of burns The exhaust system gets very hot when the vehicle is driven.
- Allow the exhaust system to cool down. Do not touch hot components.



602718-10

- Remove screws ①.
- Pull the main silencer off of the manifold at the rubber sleeve ②.

10.2 Installing the main silencer



602718-11

- Mount the main silencer with rubber sleeve ①.
- Mount and tighten screws ②.

Guideline

Remaining screws, chassis	M6	10 Nm (7.4 lbf ft)
---------------------------	----	--------------------

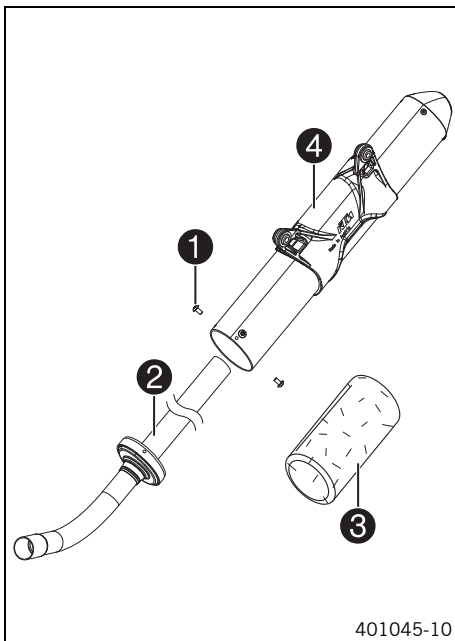
10.3 Changing the glass fiber yarn filling of the main silencer

- Warning**
Danger of burns The exhaust system gets very hot when the vehicle is driven.
- Allow the exhaust system to cool down. Do not touch hot components.

i Info
 Over time, the fibers of the glass fiber yarn escape and the damper "burns" out. Not only is the noise level higher, the performance characteristic changes.

Preparatory work

- Remove the main silencer. (☛ p. 81)



Main work

- Remove screws ①. Pull out inner tube ②.
- Pull the glass fiber yarn filling ③ from the inner tube.
- Clean the parts that are to be reinstalled.
- Mount the new glass fiber yarn filling ③ on the inner tube.
- Slide outer tube ④ over the inner tube with the new glass fiber yarn filling.
- Mount and tighten all screws ①.

Finishing work

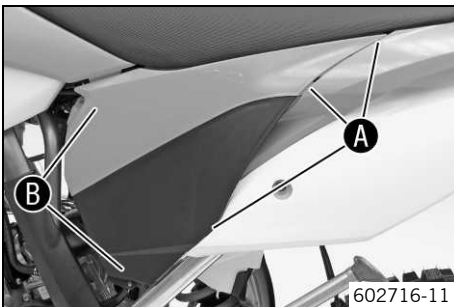
- Install the main silencer. (☛ p. 81)

11.1 Removing the air filter box lid



- Pull off the air filter box lid in area **A** sideways and remove it toward the front.

11.2 Installing the air filter box lid



- Insert the air filter box lid into the rear area **A** and clip it into the front area **B**.

11.3 Removing the air filter

Note

Engine failure Unfiltered intake air has a negative effect on the service life of the engine.

- Never ride the vehicle without an air filter since dust and dirt can get into the engine and result in increased wear.



Warning

Environmental hazard Hazardous substances cause environmental damage.

- Oil, grease, filters, fuel, cleaners, brake fluid, etc., should be disposed of as stipulated in applicable regulations.

Preparatory work

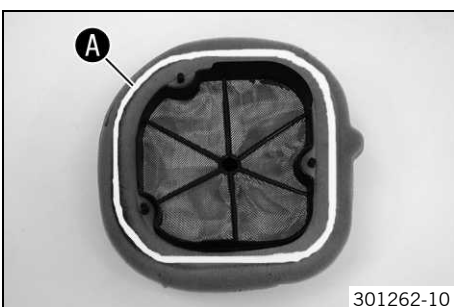
- Remove the air filter box lid. (☛ p. 83)

Main work

- Detach air filter holder **1** at the bottom and swing it to one side. Remove the air filter with the air filter support.
- Remove the air filter from the air filter support.



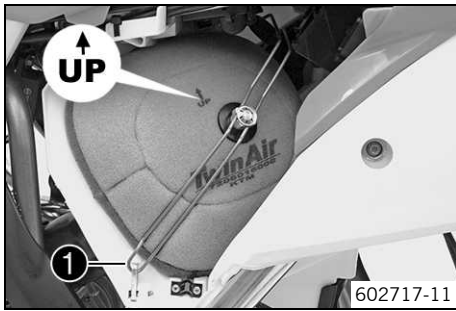
11.4 Installing the air filter



Main work

- Mount the clean air filter on the air filter support.
- Grease the air filter in area **A**.

Long-life grease (☛ p. 270)



- Insert both parts together, position them and fasten them using air filter holder ①.
- ✓ The arrow of marking **UP** faces up.



Info

If the air filter is not correctly mounted, dust and dirt can enter the engine and cause damage.

Finishing work

- Install the air filter box lid. (☛ p. 83)

11.5 Cleaning the air filter and air filter box



Warning

Environmental hazard Hazardous substances cause environmental damage.

- Oil, grease, filters, fuel, cleaners, brake fluid, etc., should be disposed of as stipulated in applicable regulations.



Info

Do not clean the air filter with fuel or petroleum since these substances attack the foam.



Preparatory work

- Remove the air filter box lid. (☛ p. 83)
- Remove the air filter. (☛ p. 83)

Main work

- Wash the air filter thoroughly in special cleaning liquid and allow it to dry properly.

Air filter cleaner (☛ p. 270)



Info

Only squeeze the air filter to dry it; never wring it out.

- Oil the dry air filter with a high quality filter oil.

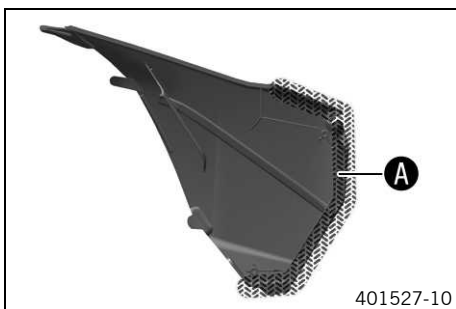
Oil for foam air filter (☛ p. 271)

- Clean the air filter box.
- Clean the intake flange and check it for damage and tightness.

Finishing work

- Install the air filter. (☛ p. 83)
- Install the air filter box lid. (☛ p. 83)

11.6 Sealing the air filter box



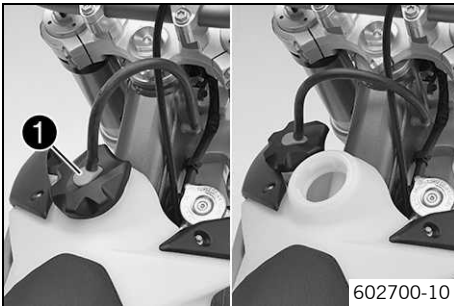
- Seal the air filter box in the marked area ①.

12.1 Opening the filler cap

- Danger**
Fire hazard Fuel is highly flammable.
- Never refuel the vehicle near open flames or burning cigarettes, and always switch off the engine first. Be careful that no fuel is spilt, especially on hot vehicle components. Clean up spilt fuel immediately.
 - The fuel in the fuel tank expands when warm and may emerge if overfilled. Follow the instructions on refueling.

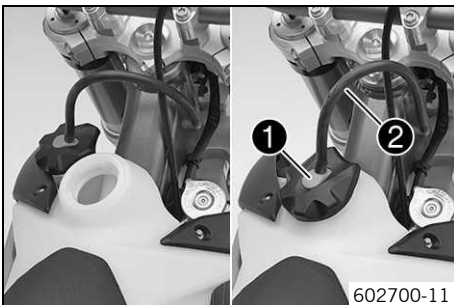
- Warning**
Danger of poisoning Fuel is poisonous and a health hazard.
- Fuel must not come into contact with the skin, eyes, or clothing. Do not breathe in the fuel vapors. If contact occurs with the eyes, rinse with water immediately and contact a physician. Immediately clean contaminated areas on the skin with soap and water. If fuel is swallowed, contact a physician immediately. Change clothing that is contaminated with fuel. Store fuel properly in a suitable canister and keep away from children.

- Warning**
Environmental hazard Improper handling of fuel is a danger to the environment.
- Do not allow fuel to get into the ground water, the ground, or the sewage system.



- Press release button ①, turn the filler cap counterclockwise and lift it free.

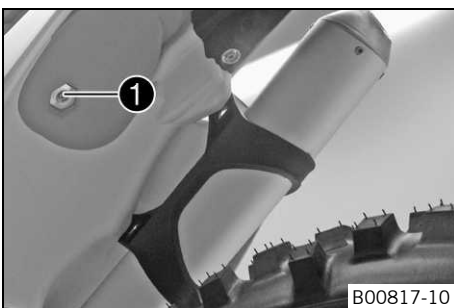
12.2 Closing the filler cap



- Replace the filler cap and turn clockwise until the release button ① locks in place.

i Info
Run the fuel tank breather hose ② without kinks.

12.3 Removing the seat

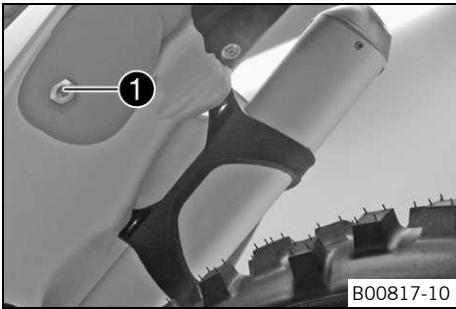


- Remove screw ①. Lift up the seat at the rear, pull it back and then remove from above.

12.4 Mounting the seat



- Hook in the front of the seat at the collar bushing of the fuel tank, lower at the rear and simultaneously push forward.
- Make sure that the seat is correctly locked in.



- Mount and tighten screw ❶ of the seat fixation.

Guideline

Remaining screws, chassis	M6	10 Nm (7.4 lbf ft)
---------------------------	----	--------------------

12.5 Removing the fuel tank

Danger
Fire hazard Fuel is highly flammable.

- Never refuel the vehicle near open flames or burning cigarettes, and always switch off the engine first. Be careful that no fuel is spilt, especially on hot vehicle components. Clean up spilt fuel immediately.
- The fuel in the fuel tank expands when warm and may emerge if overfilled. Follow the instructions on refueling.

Warning
Danger of poisoning Fuel is poisonous and a health hazard.

- Fuel must not come into contact with the skin, eyes, or clothing. Do not breathe in the fuel vapors. If contact occurs with the eyes, rinse with water immediately and contact a physician. Immediately clean contaminated areas on the skin with soap and water. If fuel is swallowed, contact a physician immediately. Change clothing that is contaminated with fuel. Store fuel properly in a suitable canister and keep away from children.

Preparatory work

- Remove the seat. (☛ p. 85)

Main work

- Turn handle ❶ of the fuel tap to the **OFF** position. (Figure 602702-10 ☛ p. 88)
- Pull off the fuel hose.

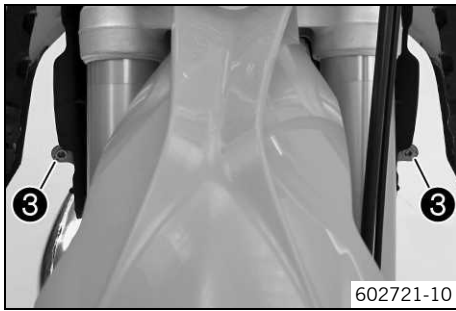
i Info
 Remaining fuel may run out of the fuel hose.

- Remove screws ❶ with the collar sleeve.

(All 250/300 EXC models)

- Hang the horn and horn bracket to one side.
- Remove screw ❷ with the rubber bushing.
- Remove the tube from the fuel tank vent line.





- Pull both spoilers off of the sides of the radiator bracket **3** and lift off the fuel tank.

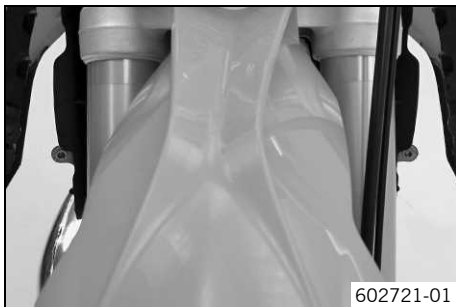
12.6 Installing the fuel tank

Danger
Fire hazard Fuel is highly flammable.

- Never refuel the vehicle near open flames or burning cigarettes, and always switch off the engine first. Be careful that no fuel is spilt, especially on hot vehicle components. Clean up spilt fuel immediately.
- The fuel in the fuel tank expands when warm and may emerge if overfilled. Follow the instructions on refueling.

Warning
Danger of poisoning Fuel is poisonous and a health hazard.

- Fuel must not come into contact with the skin, eyes, or clothing. Do not breathe in the fuel vapors. If contact occurs with the eyes, rinse with water immediately and contact a physician. Immediately clean contaminated areas on the skin with soap and water. If fuel is swallowed, contact a physician immediately. Change clothing that is contaminated with fuel.



Main work

- Check the routing of the throttle cable. (☛ p. 55)
- Position the fuel tank and fit the two spoilers to the sides of the radiator bracket.
- Make sure that no cables are trapped or damaged.



- Mount the fuel tank vent hose.
- Mount and tighten screw **1** with the rubber bushing.

Guideline

Remaining screws, chassis	M6	10 Nm (7.4 lbf ft)
---------------------------	----	--------------------

(All 250/300 EXC models)

- Position the horn with the horn bracket.



- Mount and tighten screws **2** with the collar sleeve.

Guideline

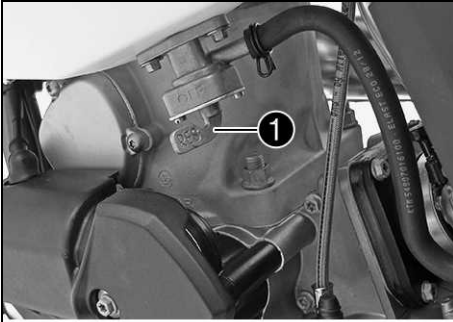
Remaining screws, chassis	M6	10 Nm (7.4 lbf ft)
---------------------------	----	--------------------

- Connect the fuel hose.

Finishing work

- Mount the seat. (☛ p. 86)

12.7 Fuel tap

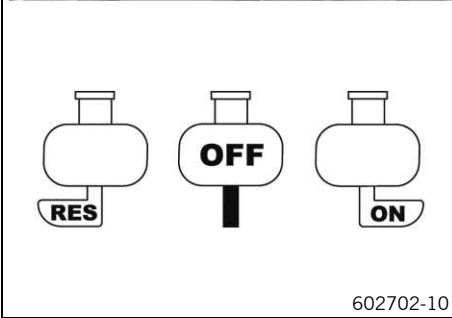


The fuel tap is on the left side of the fuel tank.

Tap handle ❶ on the fuel tap is used to open or close the supply of fuel to the carburetor.

Possible states

- Fuel supply closed **OFF** – Fuel cannot flow from the fuel tank to the carburetor.
- Fuel supply open **ON** – Fuel can flow from the fuel tank to the carburetor. The fuel tank empties to the point of reserve capacity.
- Open the fuel reserve supply **RES** – Fuel can flow from the fuel tank to the carburetor. The fuel tank empties fully.



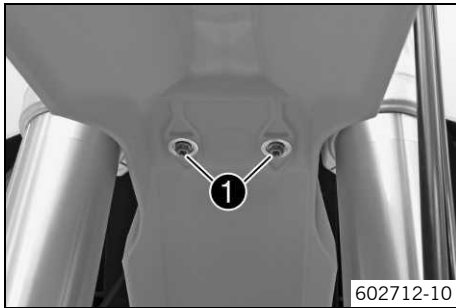
13.1 Removing the front fender

Preparatory work

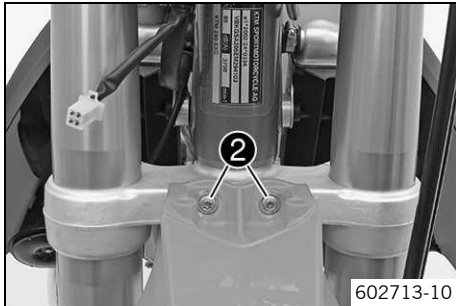
- Remove the headlight mask with the headlight. (☛ p. 89)

Main work

- Remove screws ❶.



- Remove screws ❷. Remove the front fender.



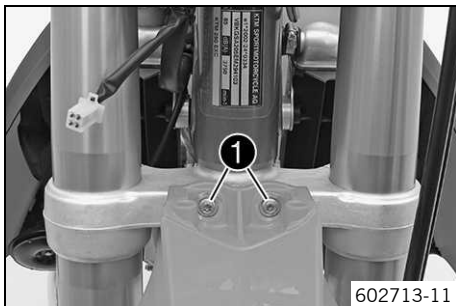
13.2 Installing the front fender

Main work

- Position the front fender. Mount and tighten screws ❶.

Guideline

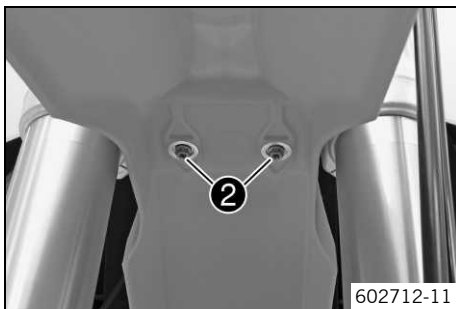
Remaining screws, chassis	M6	10 Nm (7.4 lbf ft)
---------------------------	----	--------------------



- Mount and tighten screws ❷.

Guideline

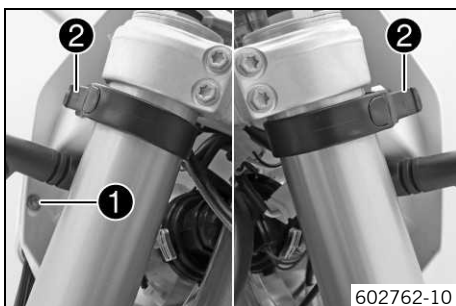
Remaining screws, chassis	M6	10 Nm (7.4 lbf ft)
---------------------------	----	--------------------



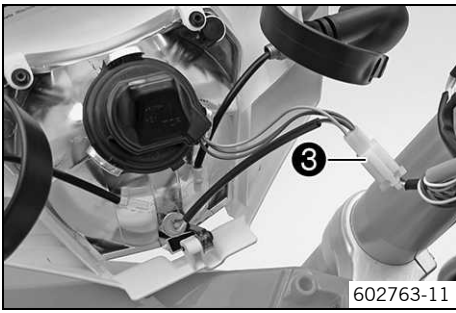
Finishing work

- Refit the headlight mask with the headlight. (☛ p. 90)
- Check the headlight setting. (☛ p. 117)

13.3 Removing the headlight mask with the headlight

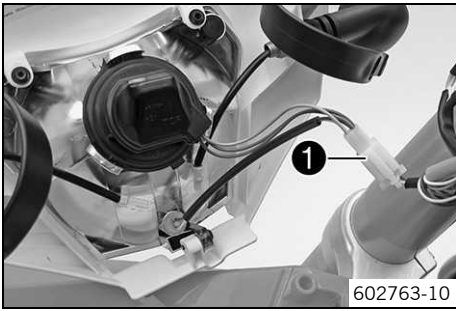


- Switch off all power consumers.
- Remove screw ❶ and take off the clamp.
- Release rubber band ❷. Slide the headlight mask up and swing it forward.



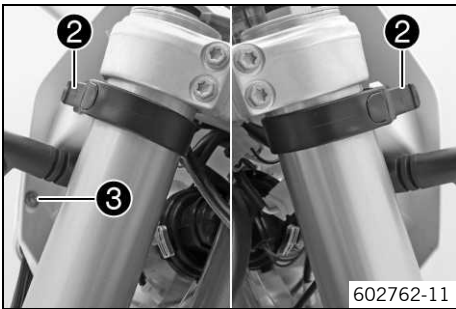
- Disconnect the electrical plug-in connection ③ and take off the headlight mask with the headlight.

13.4 Refitting the headlight mask with the headlight



Main work

- Connect the electric plug connector ①.



- Position the headlight mask and fix it with the rubber band ②.



Info

Ensure that the holding lugs engage in the fender.

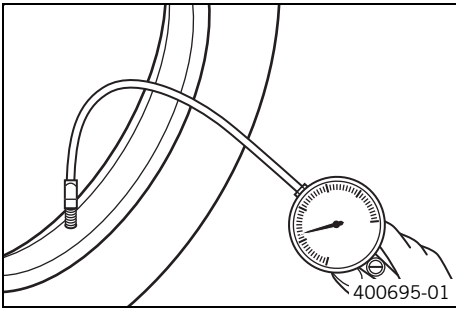
- Position the brake line and wiring harness. Put on the clamp and mount and tighten screw ③.

Finishing work

- Check the headlight setting. (☛ p. 117)

14.1 Checking the tire air pressure

i Info
 Low tire air pressure leads to abnormal wear and overheating of the tire.
 Correct tire air pressure ensures optimal riding comfort and maximum tire service life.



- Remove the dust cap.
- Check the tire air pressure when the tires are cold.

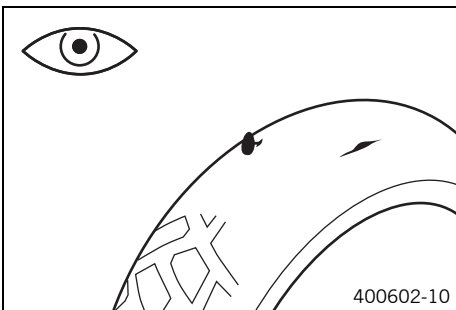
Tire air pressure off road	
Front	1.0 bar (15 psi)
Rear	1.0 bar (15 psi)

Tire air pressure, road (All 250/300 EXC models)	
Front	1.5 bar (22 psi)
Rear	1.5 bar (22 psi)

- » If the tire pressure does not meet specifications:
 - Correct the tire pressure.
- Mount the dust cap.

14.2 Checking the tire condition

i Info
 Only mount tires approved and/or recommended by KTM.
 Other tires could have a negative effect on handling characteristics.
 The type, condition and air pressure of the tires all have an important impact on the handling characteristics of the motorcycle.
 The front and rear wheels must be mounted with tires with similar profiles.
 Worn tires have a negative effect on handling characteristics, especially on wet surfaces.



- Check the front and rear tires for cuts, run-in objects and other damage.
 - » If the tire exhibits cuts, run-in objects or other damage:
 - Change the tire.
- Check the depth of the tread.

i Info
 Note local national regulations concerning the minimum tread depth.

Minimum tread depth	≥ 2 mm (≥ 0.08 in)
---------------------	--------------------

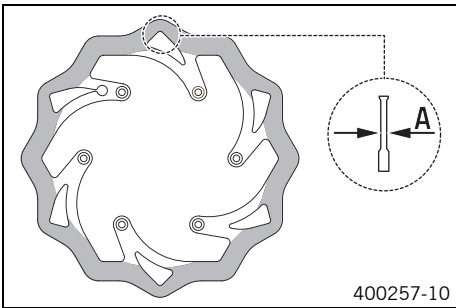
- » If the tread depth is less than the minimum permissible depth:
 - Change the tire.
- Check the tire age.

i Info
 The tire's date of manufacture is usually part of the tire markings and is indicated by the last four digits of the **DOT** marking. The first two digits indicate the week of manufacture and the last two digits the year of manufacture.
 KTM recommends that the tires are changed at the latest after 5 years, regardless of the actual state of wear.

- » If the tire is older than five years:
 - Change the tire.

14.3 Checking the brake discs

Warning
Danger of accidents Reduced braking efficiency due to worn brake disc(s).
 - Change the worn brake disc(s) without delay.



- Check the thickness of the front and rear brake discs at several places on the disc to see if it conforms to measurement **A**.

Info
 Wear reduces the thickness of the brake disc around the area used by the brake linings.

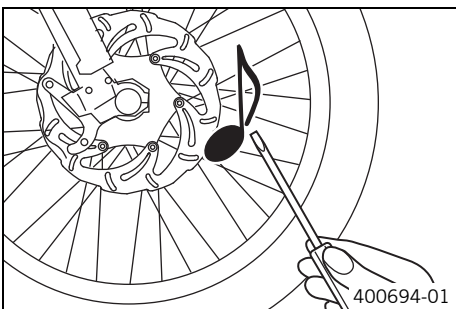
Brake discs - wear limit	
Front	2.5 mm (0.098 in)
Rear	3.5 mm (0.138 in)

- » If the brake disc thickness is less than the specified value:
 - Change the brake disc.
- Check the front and rear brake discs for damage, cracking and deformation.
 - » If the brake disc exhibits damage, cracking or deformation:
 - Change the brake disc.

14.4 Checking the spoke tension

Warning
Danger of accidents Instable handling due to incorrect spoke tension.
 - Ensure that the spoke tension is correct.

Info
 A loose spoke causes wheel imbalance and rapidly leads to more loose spokes. If the spokes are too tight, they can break due to local overload. Check the spoke tension regularly, especially on a new motorcycle.



- Briefly strike each spoke with the tip of a screwdriver.

Info
 The tone frequency depends on the length of the spoke and the spoke diameter. If you hear different tone frequencies from different spokes of equal length and diameter, this is an indication of different spoke tensions.

You should hear a high note.

- » If the spoke tension varies:
 - Correct the spoke tension.
- Check the spoke torque.

Guideline

Spoke nipple, front wheel	M4.5	5... 6 Nm (3.7... 4.4 lbf ft)
Spoke nipple, rear wheel	M4.5	5... 6 Nm (3.7... 4.4 lbf ft)

Torque wrench with various accessories in set (58429094000) (🔧 p. 275)

14.5 Front wheel

14.5.1 Removing the front wheel



Preparatory work

- Raise the motorcycle with the lift stand. (☛ p. 10)

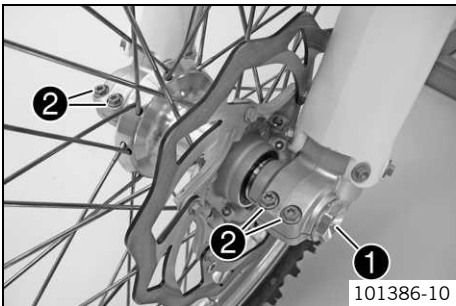
Main work

- Press the brake caliper onto the brake disc by hand in order to push back the brake pistons.

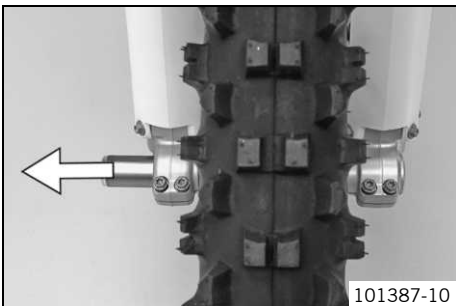


Info

Make sure when pushing back the brake pistons that you do not press the brake caliper against the spokes.



- Loosen screw ❶ by several rotations.
- Loosen screws ❷.
- Press on screw ❶ to push the wheel spindle out of the axle clamp.
- Remove screw ❶.

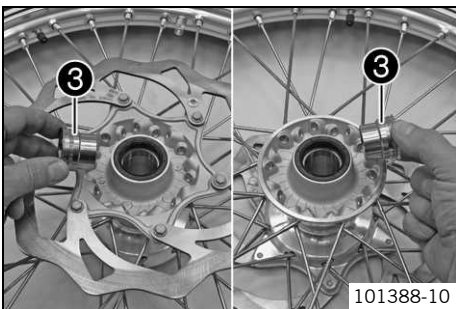


- Holding the front wheel, withdraw the wheel spindle. Take the front wheel out of the fork.



Info

Do not pull the hand brake lever when the front wheel is removed. Always lay the wheel down in such a way that the brake disc is not damaged.



- Remove spacers ❸.

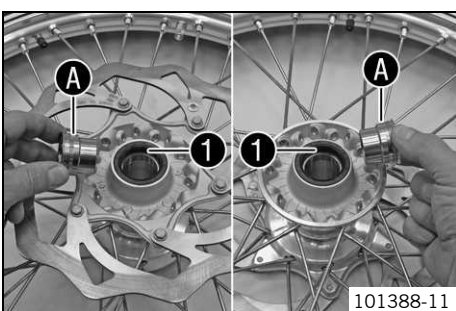
14.5.2 Installing the front wheel



Warning

Danger of accidents Reduced braking efficiency due to oil or grease on the brake discs.

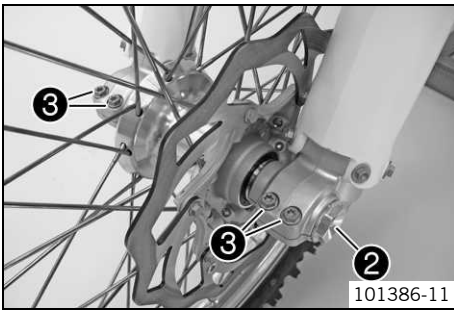
- Always keep the brake discs free of oil and grease, and clean them with brake cleaner when necessary.



- Check the wheel bearing for damage and wear.
 - » If the wheel bearing is damaged or worn:
 - Change the wheel bearing.
- Clean and grease shaft seal rings ❶ and bearing surface A of the spacers.

Long-life grease (☛ p. 270)

- Insert the spacers.



- Lift the front wheel into the fork, position it, and insert the wheel spindle.
- Mount and tighten screw 2.

Guideline

Screw, front wheel spindle	M24x1.5	45 Nm (33.2 lbf ft)
----------------------------	---------	------------------------

- Operate the hand brake lever several times until the brake linings are lying correctly against the brake disc.
- Remove the motorcycle from the lift stand. (☛ p. 10)
- Pull the front wheel brake and push down hard on the fork several times to align the fork legs.
- Tighten screws 3.

Guideline

Screw, fork stub	M8	15 Nm (11.1 lbf ft)
------------------	----	------------------------

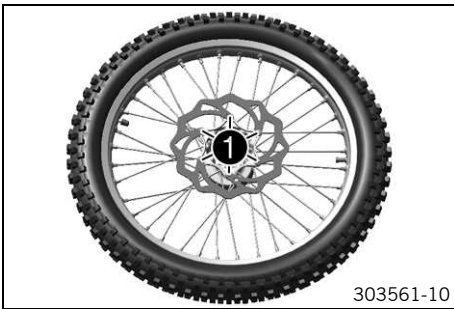
14.5.3 Removing the brake disc of the front brake

Preparatory work

- Raise the motorcycle with the lift stand. (☛ p. 10)
- Remove the front wheel. (☛ p. 93)

Main work

- Remove screws 1. Take off the brake disc.



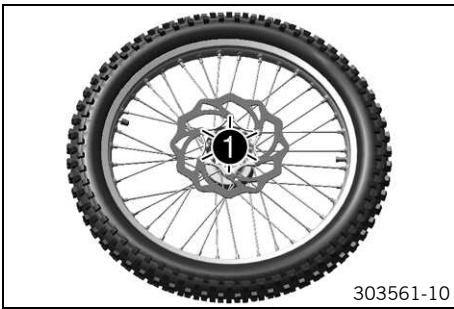
14.5.4 Installing the brake disc of the front brake

Main work

- Clean the contact surface of the brake disc.
- Position the brake disc with the label facing outward. Mount and tighten screws 1.

Guideline

Screw, front brake disc	M6	14 Nm (10.3 lbf ft)	Loctite® 243™
-------------------------	----	------------------------	----------------------



Finishing work

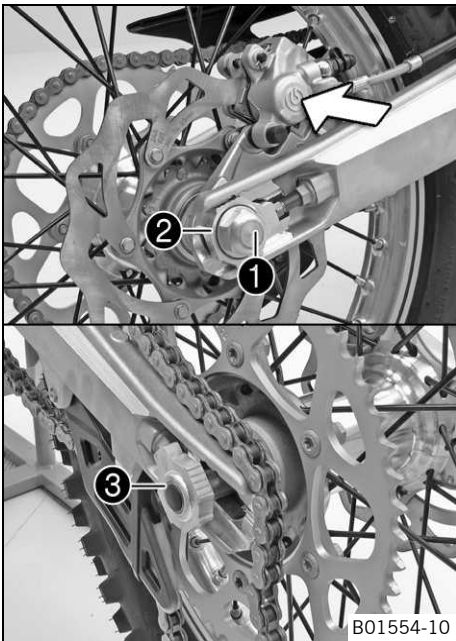
- Install the front wheel. (☛ p. 93)

14.6 Rear wheel

14.6.1 Removing the rear wheel

Preparatory work

- Raise the motorcycle with the lift stand. (☛ p. 10)



Main work

- Press the brake caliper onto the brake disc by hand in order to push back the brake piston.

i Info

Make sure when pushing back the brake piston that you do not press the brake caliper against the spokes.

- Remove nut 1.
- Remove chain adjuster 2. Withdraw wheel spindle 3 only enough to allow the rear wheel to be pushed forward.
- Push the rear wheel forward as far as possible. Remove the chain from the rear sprocket.

i Info

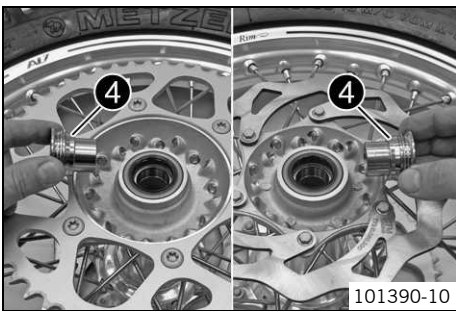
Protect the motorcycle and its attachments against damage by covering them.

- Holding the rear wheel, withdraw the wheel spindle. Take the rear wheel out of the swingarm.

i Info

Do not operate the foot brake when the rear wheel is removed. Always lay the wheel down in such a way that the brake disc is not damaged.

- Remove spacers 4.



14.6.2 Installing the rear wheel

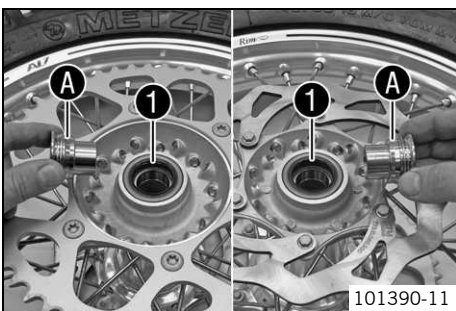
Warning
Danger of accidents Reduced braking efficiency due to oil or grease on the brake discs.
 - Always keep the brake discs free of oil and grease, and clean them with brake cleaner when necessary.

Main work

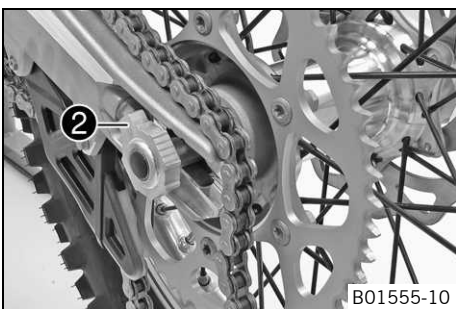
- Check the wheel bearing for damage and wear.
 - » If the wheel bearing is damaged or worn:
 - Change the wheel bearing.
- Clean and grease shaft seal rings 1 and bearing surface A of the spacers.

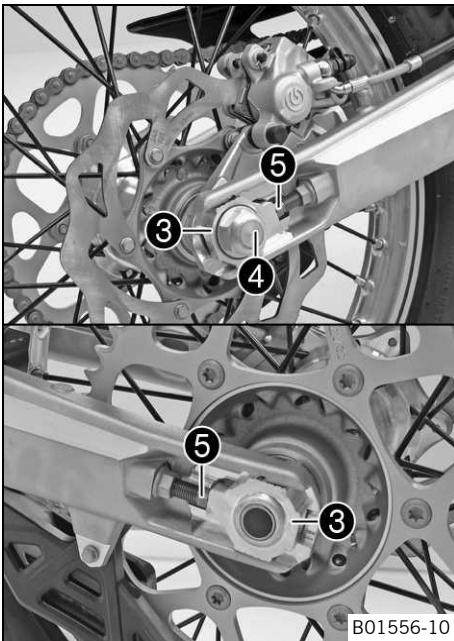
Long-life grease (☛ p. 270)

- Insert the spacers.



- Lift the rear wheel into the swing arm, position it, and insert wheel spindle 2.
- Apply the chain.





- Position chain adjuster ③. Mount nut ④, but do not tighten it yet.
- Make sure that chain adjusters ⑤ are fitted correctly on adjusting screws ⑥.
- Check the chain tension. (☞ p. 97)
- Tighten nut ④.

Guideline

Nut, rear wheel spindle	M20x1.5	80 Nm (59 lbf ft)
-------------------------	---------	-------------------



Info

The wide adjustment range of the chain adjusters (32 mm (1.18 in)) enables different secondary ratios with the same chain length. Chain adjusters ③ can be turned by 180°.

- Operate the foot brake lever several times until the brake linings are lying correctly against the brake disc and there is a pressure point.

Finishing work

- Remove the motorcycle from the lift stand. (☞ p. 10)

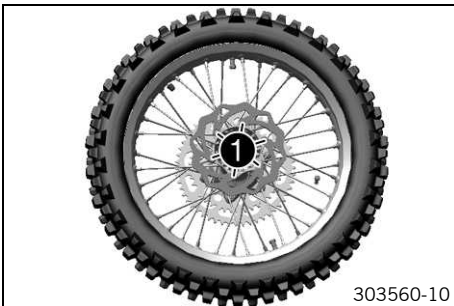
14.6.3 Removing the brake disc of the rear brake

Preparatory work

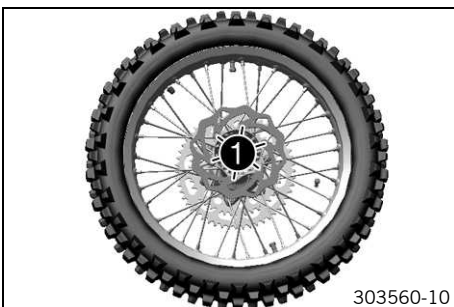
- Raise the motorcycle with the lift stand. (☞ p. 10)
- Remove the rear wheel. (☞ p. 94)

Main work

- Remove screws ①. Take off the brake disc.



14.6.4 Installing the brake disc of the rear brake



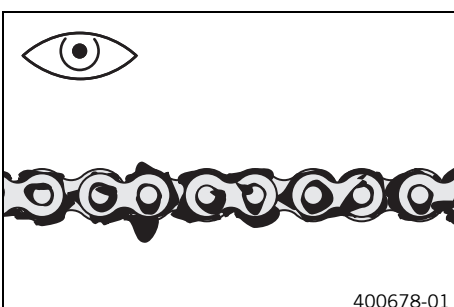
- Clean the contact surface of the brake disc.
- Position the brake disc with the label facing outward. Mount and tighten screws ①.

Guideline

Screw, rear brake disc	M6	14 Nm (10.3 lbf ft)	Loctite® 243™
------------------------	----	---------------------	---------------

- Install the rear wheel. (☞ p. 95)

14.6.5 Checking the chain for dirt



- Check the chain for heavy soiling.
 - » If the chain is very dirty:
 - Clean the chain. (☞ p. 97)

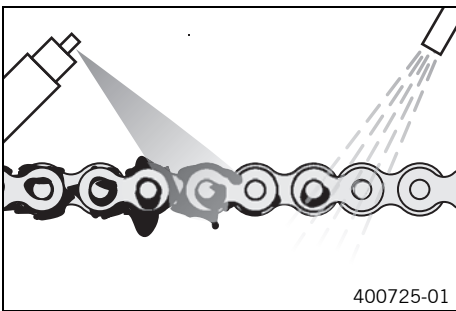
14.6.6 Cleaning the chain

Warning
Danger of accidents Oil or grease on the tires reduces their grip.
 – Remove oil and grease with a suitable cleaning material.

Warning
Danger of accidents Reduced braking efficiency due to oil or grease on the brake discs.
 – Always keep the brake discs free of oil and grease, and clean them with brake cleaner when necessary.

Warning
Environmental hazard Hazardous substances cause environmental damage.
 – Oil, grease, filters, fuel, cleaners, brake fluid, etc., should be disposed of as stipulated in applicable regulations.

Info
 The service life of the chain depends largely on its maintenance.

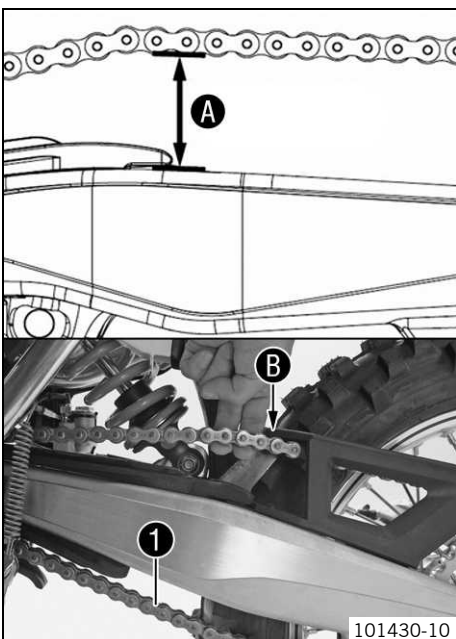


– Clean the chain regularly and then treat with chain spray.

Chain cleaner (☛ p. 270)
Off-road chain spray (☛ p. 271)

14.6.7 Checking the chain tension

Warning
Danger of accidents Danger caused by incorrect chain tension.
 – If the chain is too taut, the components of the secondary power transmission (chain, engine sprocket, rear sprocket, bearings in the transmission and in the rear wheel) will be under additional load. In addition to premature wear, this can cause the chain or the countershaft of the transmission to break in extreme cases. If the chain is too loose, however, it may fall off the engine sprocket or rear sprocket and block the rear wheel or damage the engine. Ensure that the chain tension is correct and adjust it if necessary.



Preparatory work

– Raise the motorcycle with the lift stand. (☛ p. 10)

Main work

– Push the chain at the end of the chain sliding component upwards to measure chain tension **A**.

Info
 The bottom chain section **1** must be taut.
 When the chain guard is mounted, it must be possible to pull up the chain at least to the point where it makes contact with chain guard **B**.
 Chain wear is not always even, so you should repeat this measurement at different chain positions.

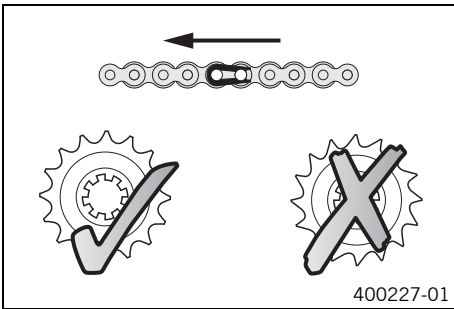
Chain tension	55... 58 mm (2.17... 2.28 in)
---------------	-------------------------------

» If the chain tension does not meet specifications:
 – Adjust the chain tension. (☛ p. 99)

Finishing work

- Remove the motorcycle from the lift stand. (☛ p. 10)

14.6.8 Checking the chain, rear sprocket, engine sprocket and chain guide



Preparatory work

- Raise the motorcycle with the lift stand. (☛ p. 10)

Main work

- Shift gear to neutral.
- Check the rear sprocket and engine sprocket for wear.
 - » If the rear sprocket and engine sprocket are worn:
 - Change the drivetrain kit.



Info

The engine sprocket, rear sprocket, and chain should always be changed together.

- Pull on the upper part of the chain with the specified weight **A**.

Guideline

Weight, chain wear measurement	10... 15 kg (22... 33 lb.)
--------------------------------	----------------------------

- Measure the distance **B** of 18 chain links in the lower chain section.



Info

Chain wear is not always even; repeat this measurement at different chain positions.

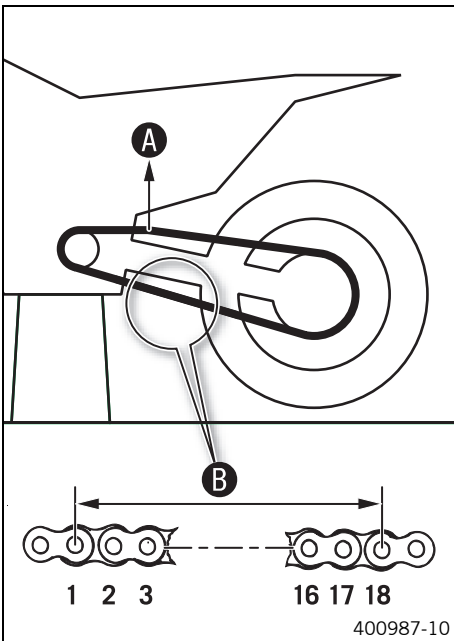
Maximum distance B at the longest chain section	272 mm (10.71 in)
--	-------------------

- » If the distance **B** is greater than the specified measurement:
 - Change the drivetrain kit.



Info

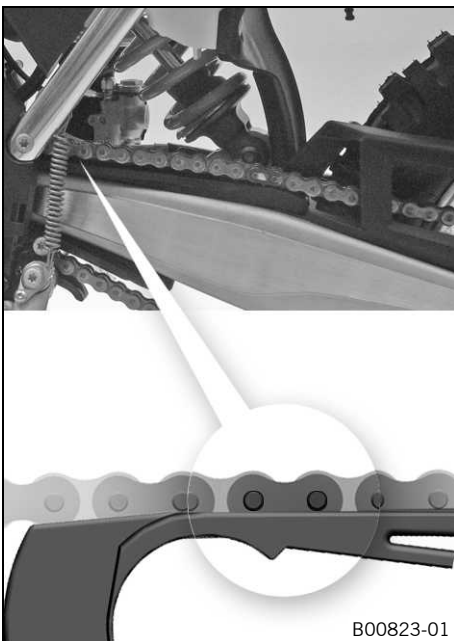
When you replace the chain, you should also change the rear sprocket and engine sprocket.
New chains wear out faster on old, worn sprockets.

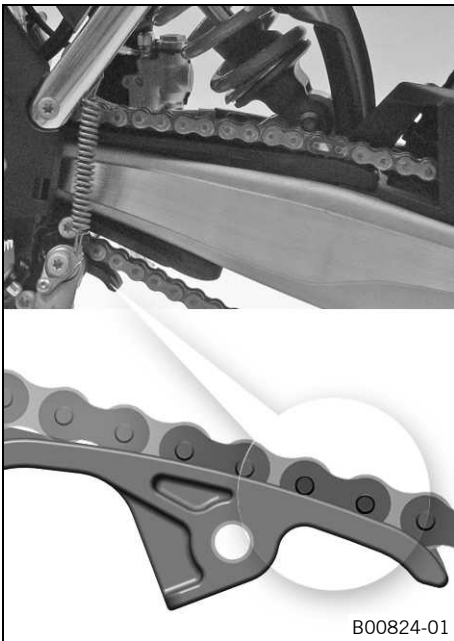


- Check the chain sliding guard for wear.
 - » If the lower edge of the chain pins is in line with or below the chain sliding guard:
 - Change the chain sliding guard.
- Check the chain sliding guard for tightness.
 - » If the chain sliding guard is loose:
 - Tighten the chain sliding guard.

Guideline

Screw, chain sliding guard	M6	6 Nm (4.4 lbf ft)	Loctite® 243™
----------------------------	----	----------------------	----------------------



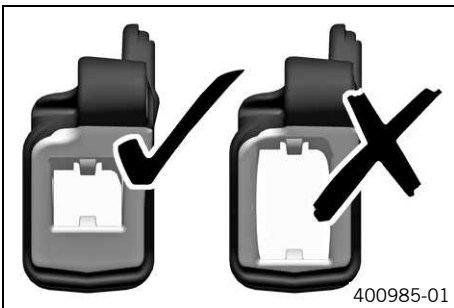


B00824-01

- Check the chain sliding piece for wear.
 - » If the lower edge of the chain pins is in line with or below the chain sliding piece:
 - Change the chain sliding piece.
- Check the chain sliding piece for tightness.
 - » If the chain sliding piece is loose:
 - Tighten the chain sliding piece.

Guideline

Screw, chain sliding piece	M8	15 Nm (11.1 lbf ft)
----------------------------	----	------------------------



400985-01

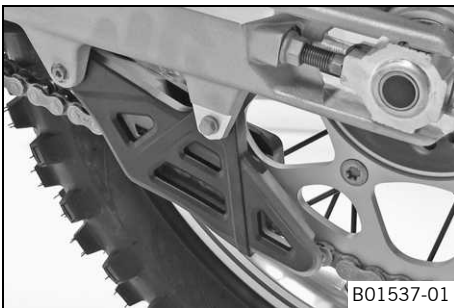
- Check the chain guide for wear.



Info

Wear can be seen on the front of the chain guide.

- » If the light part of the chain guide is worn:
 - Change the chain guide.



B01537-01

- Check the chain guide for tightness.
 - » If the chain guide is loose:
 - Tighten the chain guide.

Guideline

Remaining screws, chassis	M6	10 Nm (7.4 lbf ft)
---------------------------	----	-----------------------

Finishing work

- Remove the motorcycle from the lift stand. (🔧 p. 10)

14.6.9 Adjusting the chain tension



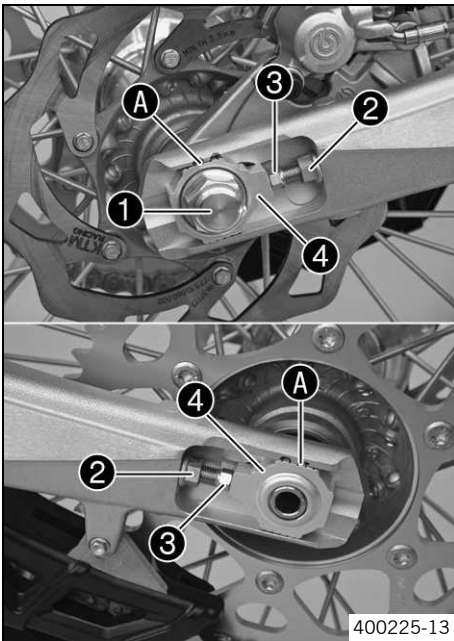
Warning

Danger of accidents Danger caused by incorrect chain tension.

- If the chain is too taut, the components of the secondary power transmission (chain, engine sprocket, rear sprocket, bearings in the transmission and in the rear wheel) will be under additional load. In addition to premature wear, this can cause the chain or the countershaft of the transmission to break in extreme cases. If the chain is too loose, however, it may fall off the engine sprocket or rear sprocket and block the rear wheel or damage the engine. Ensure that the chain tension is correct and adjust it if necessary.

Preparatory work

- Raise the motorcycle with the lift stand. (🔧 p. 10)
- Check the chain tension. (🔧 p. 97)



Main work

- Loosen nut ①.
- Loosen nuts ②.
- Adjust the chain tension by turning adjusting screws ③ left and right.

Guideline

Chain tension	55... 58 mm (2.17... 2.28 in)
Turn adjusting screws ③ on the left and right so that the markings on the left and right chain adjusters are in the same position relative to the reference marks ④. The rear wheel is then correctly aligned.	

- Tighten nuts ②.
- Make sure that chain adjusters ④ are fitted correctly on adjusting screws ③.
- Tighten nut ①.

Guideline

Nut, rear wheel spindle	M20x1.5	80 Nm (59 lbf ft)
-------------------------	---------	-------------------



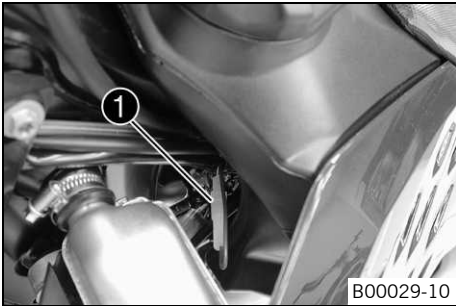
Info

The wide adjustment range of the chain adjusters (32 mm (1.18 in)) enables different secondary ratios with the same chain length. Chain adjusters ④ can be turned by 180°.

Finishing work

- Remove the motorcycle from the lift stand. (🔧 p. 10)

15.1 Plug-in connection, ignition timing map



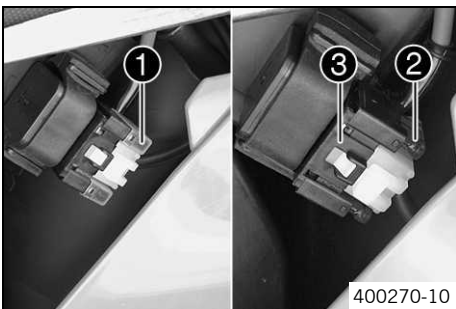
B00029-10

Plug-in connection ❶ is located in front of the fuel tank on the left side of the frame.

Possible states

- Soft – The plug-in connection is disconnected to achieve better rideability.
- Performance – The plug-in connection is connected to achieve higher performance.

15.2 Removing the main fuse



400270-10

Preparatory work

- Switch off all power consumers and switch off the engine.
- Remove the air filter box lid. (☛ p. 83)

Main work

- Remove the protection cover ❶.



Info

The main fuse ❷ is located in the starter relay ❸ under the filter box cover.

- Remove main fuse ❷.

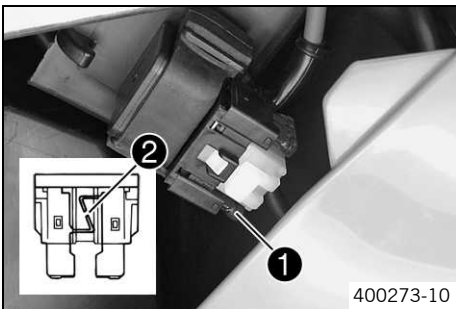
15.3 Installing the main fuse



Warning

Fire hazard The electrical system can be overloaded if the wrong fuses are used.

- Use only fuses with the prescribed amperage. Never by-pass or repair fuses.



400273-10

- Insert the main fuse.

Fuse (58011109110) (☛ p. 212)



Info

A reserve fuse ❶ is located in the starter relay. Replace a burned-out fuse ❷ only by an equivalent fuse.

- Replace the protection cover.
- Install the air filter box lid. (☛ p. 83)

15.4 Recharging the battery



Warning

Risk of injury Battery acid and battery gases cause serious chemical burns.

- Keep batteries out of the reach of children.
- Wear suitable protective clothing and goggles.
- Avoid contact with battery acid and battery gases.
- Keep sparks and open flames away from the battery. Only charge in well-ventilated rooms.
- In the event of skin contact, rinse with large amounts of water. If battery acid gets in the eyes, rinse with water for at least 15 minutes and contact a physician.



Warning

Environmental hazard The battery contains elements that are harmful to the environment.

- Do not discard batteries with the household waste. Dispose of faulty batteries in an environmentally compatible manner. Give the battery to your authorized KTM dealer or dispose of it at a collection point for used batteries.



Warning

Environmental hazard Hazardous substances cause environmental damage.

- Oil, grease, filters, fuel, cleaners, brake fluid, etc., should be disposed of as stipulated in applicable regulations.



Info

Even when there is no load on the battery, it still loses power steadily. The charge state and the type of charge are very important for the service life of the battery. Rapid recharging with a high charging current shortens the battery's service life. If the charging current, charging voltage and charging time are exceeded, electrolyte escapes through the safety valves. This reduces the battery capacity. If the battery is depleted from starting the vehicle repeatedly, the battery must be charged immediately. If the battery is left in a discharged state for an extended period, it will become over-discharged and sulfate, destroying the battery. The battery is maintenance-free, i.e., the acid level does not have to be checked.

Preparatory work

- Switch off all power consumers and the engine.
- Remove the seat. (☛ p. 85)
- Disconnect the minus (negative) cable of the battery to avoid damage to the motorcycle's electronics.

Main work

- Connect the battery charger to the battery. Switch on the battery charger.

Battery charger (58429074000)

You can also use the battery charger to test rest potential and start potential of the battery, and to test the alternator. With this device, you cannot overcharge the battery.



Info

Never remove the lid ❶. Charge the battery with at most 10% of the capacity specified on the battery ❷.

- Switch off the charger after charging. Disconnect the battery.

Guideline

The charge current, charge voltage and charge time must not be exceeded.

Charge the battery regularly when the motorcycle is not in use	3 months
--	----------

Finishing work

- Mount the seat. (☛ p. 86)



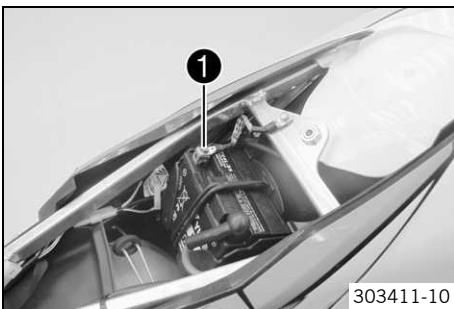
15.5 Disconnecting the negative cable of the battery

Preparatory work

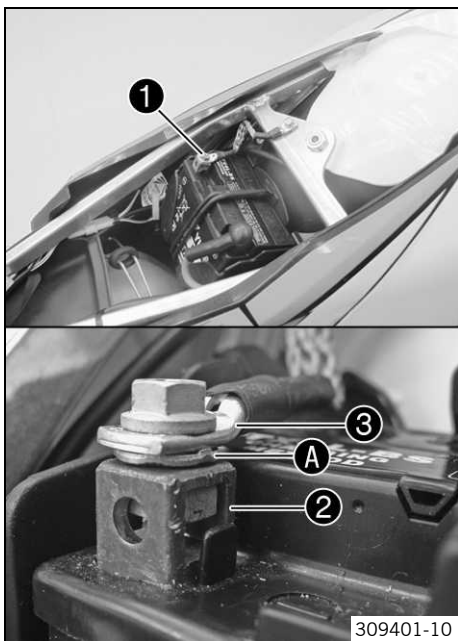
- Remove the seat. (☛ p. 85)

Main work

- Disconnect the negative (minus) cable ❶ of the battery.



15.6 Connecting the negative cable of the battery



Main work

- Attach negative cable ①.

Guideline

Screw, battery terminal	M5	2.5 Nm (1.84 lbf ft)
-------------------------	----	-------------------------



Info

Contact disk **A** must be mounted between battery terminal **2** and cable lugs **3** with the claws facing up.

Finishing work

- Mount the seat. (☛ p. 86)

15.7 Removing the battery



Warning

Risk of injury Battery acid and battery gases cause serious chemical burns.

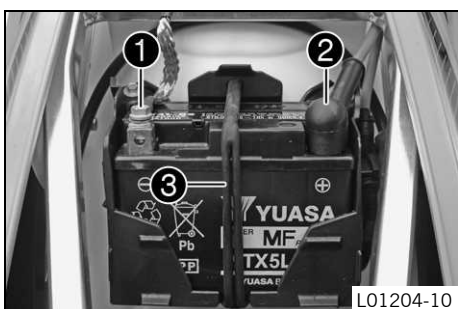
- Keep batteries out of the reach of children.
- Wear suitable protective clothing and goggles.
- Avoid contact with battery acid and battery gases.
- Keep sparks and open flames away from the battery. Only charge in well-ventilated rooms.
- In the event of skin contact, rinse with large amounts of water. If battery acid gets in the eyes, rinse with water for at least 15 minutes and contact a physician.

Preparatory work

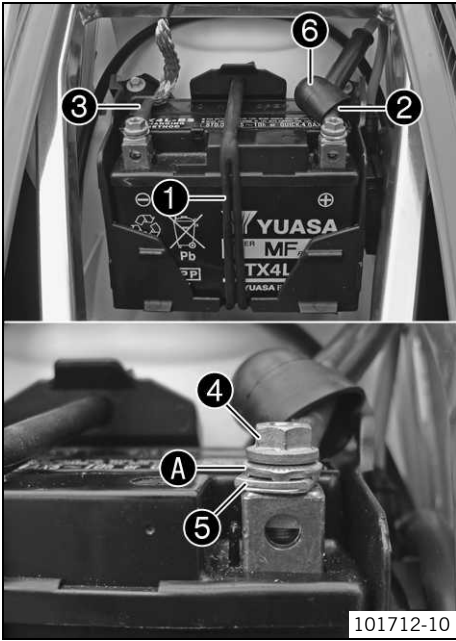
- Switch off all power consumers and the engine.
- Remove the seat. (☛ p. 85)

Main work

- Disconnect the negative (minus) cable ① of the battery.
- Pull back the plus pole cover ② and disconnect the positive (plus) cable of the battery.
- Detach rubber band ③ at the bottom.
- Lift the battery out.



15.8 Installing the battery



Main work

- Insert the battery into the battery compartment with the terminals facing to the front.

Battery (YTX4L-BS) (☞ p. 212)

- Attach rubber band ①.
- Attach positive cable ②.

Guideline

Screw, battery terminal	M5	2.5 Nm (1.84 lbf ft)
-------------------------	----	-------------------------

i Info

Contact disk **A** must be mounted between screw ④ and cable socket ⑤ with the claws facing down.

- Slide positive terminal cover ⑥ over the positive terminal.
- Attach negative cable ③.

Guideline

Screw, battery terminal	M5	2.5 Nm (1.84 lbf ft)
-------------------------	----	-------------------------

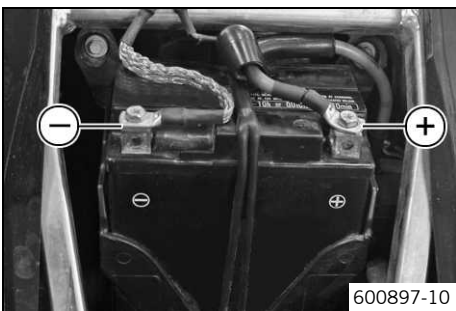
i Info

Contact disk **A** must be mounted between screw ④ and cable socket ⑤ with the claws facing down.

Finishing work

- Mount the seat. (☞ p. 86)

15.9 Checking the charging voltage



Condition

The battery must be fully functional and completely charged.

- Carry out the start procedure. (☞ p. 10)
- **V** Measure the voltage between the specified points.
Measuring point **Plus (+)** – Measuring point **Ground (-)**

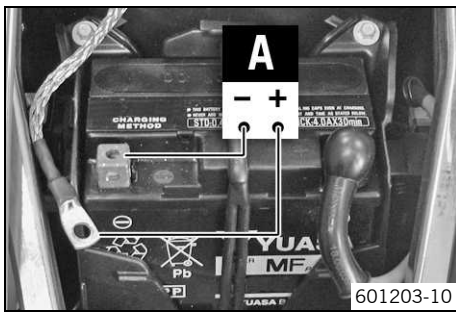
Charging voltage	
5,000 rpm	13.5... 15.0 V

- » If the displayed value is less than the specified value:
 - Check the plug-in connections from the alternator to the voltage regulator.
 - Check the plug-in connections from the voltage regulator to the wiring harness.
 - Alternator - check the battery winding. (☞ p. 204)
 - Alternator - check the light winding. (☞ p. 205)
- » If the displayed value is greater than the specified value:
 - Change the voltage regulator.

15.10 Checking the closed current

Preparatory work

- Switch off all power consumers and switch off the engine.
- Remove the seat. (☞ p. 85)



Main work

- Disconnect the negative (minus) cable of the battery.
- Measure the current between battery ground (-) and the negative cable.



Info

The value of the open-circuit current applies only to vehicles in the original state, i.e. without additional power consumers.

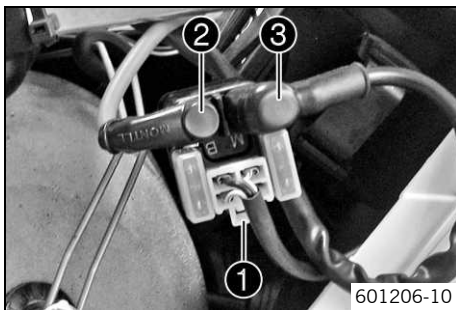
Maximum closed current	< 1.0 mA
------------------------	----------

- » If the measured value is higher than the specified value:
 - Disconnect the voltage regulator from the wiring harness and perform the measurement again.

15.11 Checking the starter relay

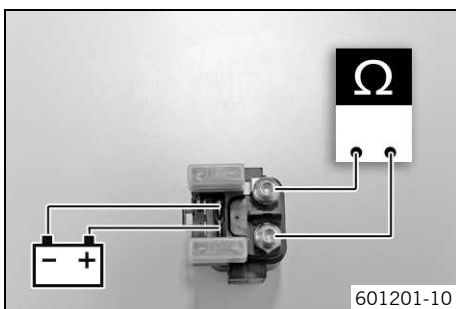
Preparatory work

- Switch off all power consumers and switch off the engine.
- Remove the seat. (☛ p. 85)
- Remove the air filter box lid. (☛ p. 83)



Main work

- Disconnect the negative (minus) cable of the battery.
- Pull the starter relay off of the bracket.
- Pull off connector ❶.
- Disconnect cables ❷ and ❸ from the starter relay.



- Connect the starter relay to a 12 V power supply as shown in the figure.
- Measure the resistance between the specified points.

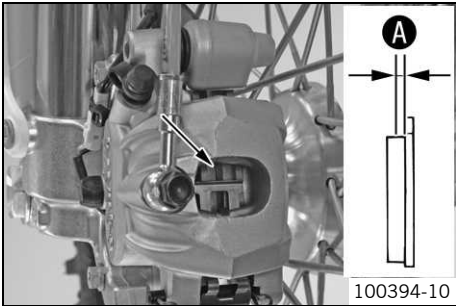
Resistance of open circuit	0 Ω
----------------------------	-----

- » If the display does not equal the setpoint value:
 - Change the starter relay.

16.1 Checking the front brake linings

Warning
Danger of accidents Reduced braking efficiency caused by worn brake linings.

- Change worn brake linings immediately.



- Check the brake linings for minimum thickness **A**.

Minimum thickness A	$\geq 1 \text{ mm } (\geq 0.04 \text{ in})$
----------------------------	---

- » If the minimum thickness is less than specified:
 - Change the front brake linings. (☛ p. 106)
- Check the brake linings for damage and cracking.
 - » If damage or cracking is visible:
 - Change the front brake linings. (☛ p. 106)

16.2 Changing the front brake linings

Warning
Danger of accident Brake system failure.

- Maintenance work and repairs must be carried out professionally.

Warning
Skin irritation Brake fluid can cause skin irritation on contact.

- Avoid contact with skin and eyes, and keep out of the reach of children.
- Wear suitable protective clothing and goggles.
- If brake fluid comes into contact with the eyes, flush the eyes thoroughly with water and consult a physician immediately.

Warning
Danger of accidents Reduced braking efficiency due to old brake fluid.

- Change the brake fluid of the front and rear brake according to the service schedule.

Warning
Danger of accidents Reduced braking efficiency due to oil or grease on the brake discs.

- Always keep the brake discs free of oil and grease, and clean them with brake cleaner when necessary.

Warning
Danger of accidents Reduced braking efficiency due to use of non-approved brake linings.

- Brake linings available from accessory suppliers are often not tested and approved for use on KTM vehicles. The construction and friction factor of the brake linings and therefore the brake power can differ considerably from the original KTM brake linings. If brake linings are used that differ from the originals, there is no guarantee that they comply with the original license. The vehicle no longer corresponds to the condition at delivery, and the warranty is no longer valid.

Warning
Environmental hazard Hazardous substances cause environmental damage.

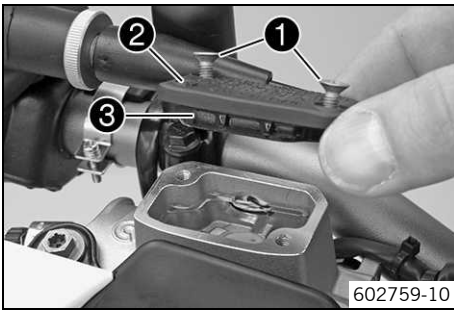
- Oil, grease, filters, fuel, cleaners, brake fluid, etc., should be disposed of as stipulated in applicable regulations.

Info

Never use DOT 5 brake fluid! It is silicone-based and purple in color. Oil seals and brake lines are not designed for DOT 5 brake fluid.

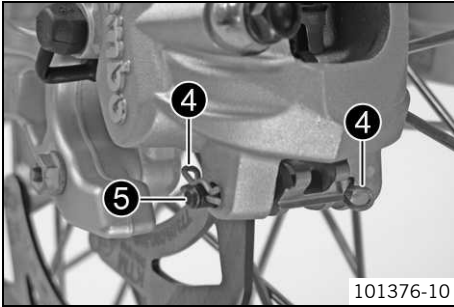
Avoid contact between brake fluid and painted parts. Brake fluid attacks paint!

Use only clean brake fluid from a sealed container!

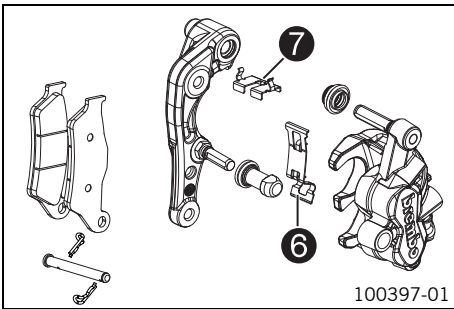


- Move the brake fluid reservoir mounted on the handlebar to a horizontal position.
- Remove screws ①.
- Remove cover ② with membrane ③.
- Manually press the brake caliper toward the brake disc to push back the brake pistons. Ensure that brake fluid does not flow out of the brake fluid reservoir, extracting it by suction if it does.

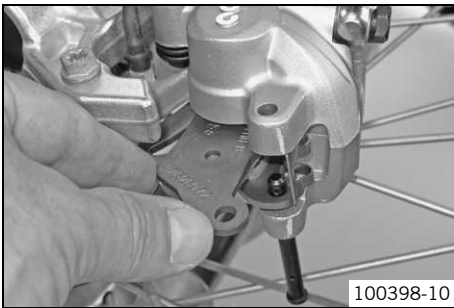
i Info
Make sure when pushing back the brake pistons that you do not press the brake caliper against the spokes.



- Remove cotter pins ④, pull out pin ⑤, and remove the brake linings.
- Clean the brake caliper and brake caliper support.



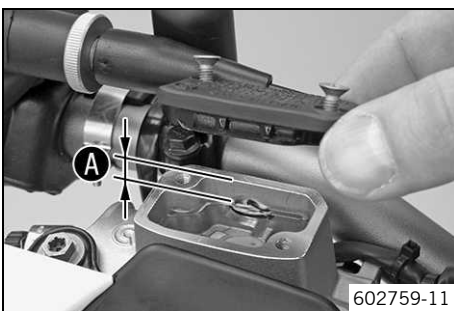
- Check that leaf spring ⑥ in the brake caliper and sliding plate ⑦ in the brake caliper support are seated correctly.



- Insert the new brake linings, insert the pin, and mount the cotter pins.

i Info
Always change the full set of brake linings.

- Operate the hand brake lever several times until the brake linings are lying correctly against the brake disc and there is a pressure point.



- Correct the brake fluid quantity to level ①.

Guideline

Dimension ① (brake fluid level below top edge of container)	5 mm (0.2 in)
---	---------------

Brake fluid DOT 4 / DOT 5.1 (☛ p. 268)

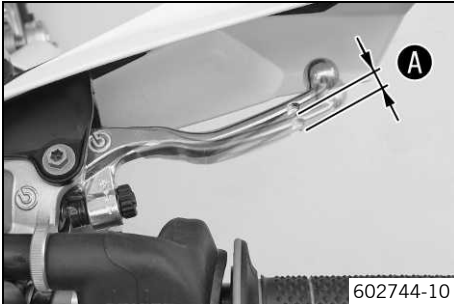
- Position the cover with the membrane. Mount and tighten the screws.

i Info
Wash off overflowed or spilled brake fluid immediately with water.

16.3 Checking the free travel of the hand brake lever

Warning
Danger of accidents Brake system failure.

- If there is no free travel on the hand brake lever, pressure builds up on the front brake circuit. The front brake can fail due to overheating. Adjust the free travel on hand brake lever according to specifications.



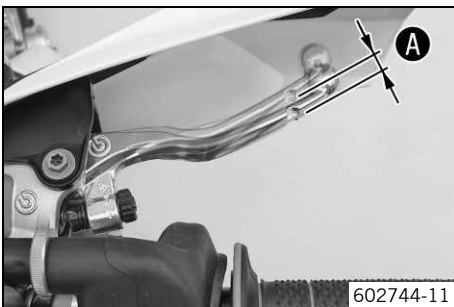
602744-10

(All 250/300 EXC models)

- Press the hand brake lever toward the handlebar and check free travel **A**.

Free travel of hand brake lever	≥ 3 mm (≥ 0.12 in)
---------------------------------	--------------------

- » If the free travel does not equal the specification:
 - Adjust the free travel of the hand brake lever. (☛ p. 108)



602744-11

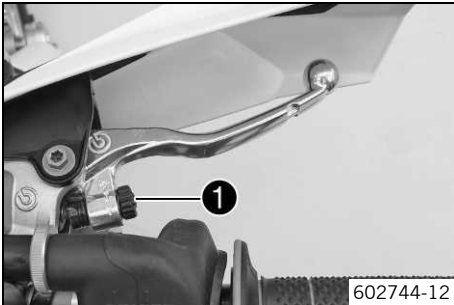
(all 250/300 XC-W)

- Press the hand brake lever forward and check free travel **A**.

Free travel of hand brake lever	≥ 3 mm (≥ 0.12 in)
---------------------------------	--------------------

- » If the free travel does not equal the specification:
 - Adjust the basic position of the hand brake lever. (☛ p. 108)

16.4 Adjusting free travel of hand brake lever (All 250/300 EXC models)



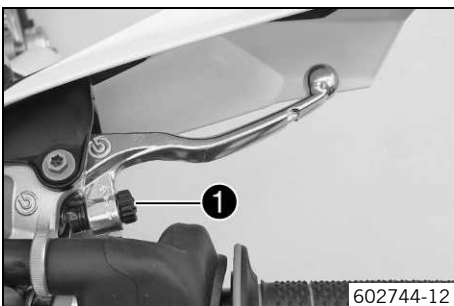
602744-12

- Check the free travel of the hand brake lever. (☛ p. 108)
- Adjust the free travel of the hand brake lever with the adjustment screw **1**.

i Info

Turn the adjustment screw clockwise to reduce free travel. The pressure point moves away from the handlebar.
 Turn the adjustment screw counterclockwise to increase free travel. The pressure point moves towards the handlebar.
 The range of adjustment is limited.
 Turn the adjusting screw by hand only, and do not apply any force.
 Do not make any adjustments while riding!

16.5 Adjusting the basic position of the hand brake lever (all 250/300 XC-W)



602744-12

- Check the free travel of the hand brake lever. (☛ p. 108)
- Adjust the basic setting of the hand brake lever to your hand size by turning adjusting screw **1**.

i Info

Turn the adjusting screw clockwise to increase the distance between the hand brake lever and the handlebar.
 Turn the adjusting screw counterclockwise to decrease the distance between the hand brake lever and the handlebar.
 The range of adjustment is limited.
 Turn the adjusting screw by hand only, and do not apply any force.
 Do not make any adjustments while riding!

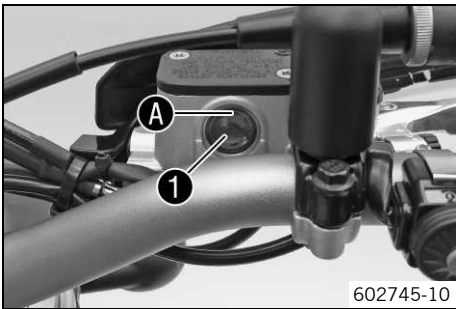
16.6 Checking the front brake fluid level

Warning
Danger of accidents Failure of the brake system.

- If the brake fluid level falls below the **MIN** mark, this indicates a leakage in the brake system or worn-out brake linings. Check the brake system and do not continue riding.

Warning
Danger of accidents Reduced braking efficiency due to old brake fluid.

- Change the brake fluid of the front and rear brake according to the service schedule.



- Move the brake fluid reservoir mounted on the handlebar to a horizontal position.
- Check the brake fluid level in the viewer 1.
 - » If the brake fluid level has dropped below marking A:
 - Add front brake fluid. (☛ p. 109)

16.7 Adding front brake fluid

Warning
Danger of accidents Failure of the brake system.

- If the brake fluid level falls below the **MIN** mark, this indicates a leakage in the brake system or worn-out brake linings. Check the brake system and do not continue riding.

Warning
Skin irritation Brake fluid can cause skin irritation on contact.

- Avoid contact with skin and eyes, and keep out of the reach of children.
- Wear suitable protective clothing and goggles.
- If brake fluid comes into contact with the eyes, flush the eyes thoroughly with water and consult a physician immediately.

Warning
Danger of accidents Reduced braking efficiency due to old brake fluid.

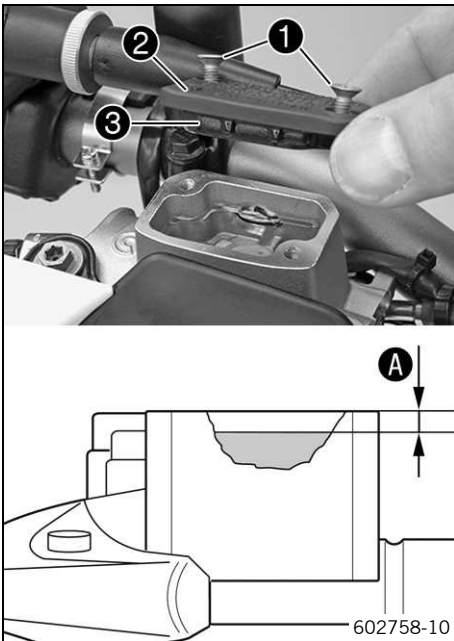
- Change the brake fluid of the front and rear brake according to the service schedule.

Warning
Environmental hazard Hazardous substances cause environmental damage.

- Oil, grease, filters, fuel, cleaners, brake fluid, etc., should be disposed of as stipulated in applicable regulations.

Info

Never use DOT 5 brake fluid! It is silicone-based and purple in color. Oil seals and brake lines are not designed for DOT 5 brake fluid.
 Avoid contact between brake fluid and painted parts. Brake fluid attacks paint!
 Use only clean brake fluid from a sealed container!



- Move the brake fluid reservoir mounted on the handlebar to a horizontal position.
- Remove screws ❶.
- Remove cover ❷ with membrane ❸.
- Add brake fluid to level A.

Guideline

Dimension A (brake fluid level below top edge of container)	5 mm (0.2 in)
---	---------------

Brake fluid DOT 4 / DOT 5.1 (☞ p. 268)
--

- Position the cover with the membrane. Mount and tighten the screws.

i Info
Clean up overflowed or spilt brake fluid immediately with water.

16.8 Changing the front brake fluid

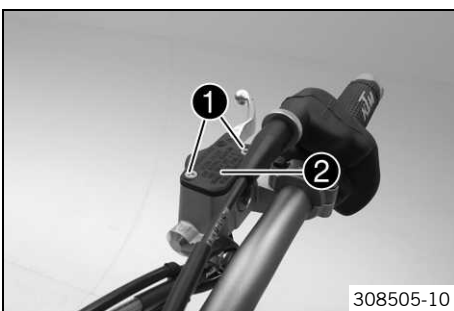
⚠ Warning
Skin irritation Brake fluid can cause skin irritation on contact.

- Avoid contact with skin and eyes, and keep out of the reach of children.
- Wear suitable protective clothing and goggles.
- If brake fluid comes into contact with the eyes, flush the eyes thoroughly with water and consult a physician immediately.

🌿 Warning
Environmental hazard Hazardous substances cause environmental damage.

- Oil, grease, filters, fuel, cleaners, brake fluid, etc., should be disposed of as stipulated in applicable regulations.

i Info
Avoid contact between brake fluid and painted parts. Brake fluid attacks paint!
Use only clean brake fluid from a sealed container.



- Move the brake fluid reservoir mounted on the handlebar to a horizontal position.
- Cover the painted parts.
- Remove screws ❶.
- Remove cover ❷ with membrane.
- Draw the old brake fluid out of the brake fluid reservoir using a syringe and fill with fresh brake fluid.

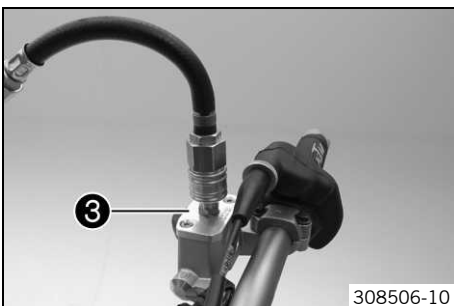
Bleed syringe (50329050000) (☞ p. 273)
Brake fluid DOT 4 / DOT 5.1 (☞ p. 268)

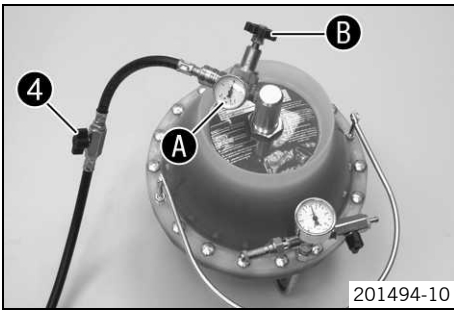
- Mount bleeder cover ❸.

Bleeder cover (00029013005) (☞ p. 272)
--

- Connect the bleeding device.

Bleeding device (00029013100) (☞ p. 272)
--





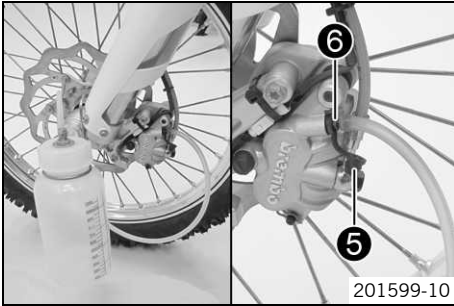
- Open shut-off valve 4.

i Info
Follow the operating instructions of the bleeder device.

- Ensure that the filling pressure is correctly set at pressure gauge A. If necessary, adjust the filling pressure at pressure regulator B.

Guideline

Filling pressure	2... 2.5 bar (29... 36 psi)
------------------	-----------------------------



- Pull off protection cap 5 of the brake caliper bleeder screw. Connect the hose of the bleeder bottle.

Bleeding device (00029013100) (☞ p. 272)
--

- Open bleeder screw 6 by approx. one half turn.

i Info
Bleed until fresh brake fluid emerges from the bleeder bottle hose without bubbles.

- Tighten the bleeder screw.
- Close shut-off valve 4.
- Open the bleeder screw again until brake fluid stops emerging.

i Info
This prevents overfilling of the brake fluid reservoir.

- Tighten the bleeder screw. Remove the hose of the bleeder bottle. Mount the protection cap.
- Disconnect the bleeding device. Remove the bleeder cover.
- Add brake fluid to level C.

Guideline

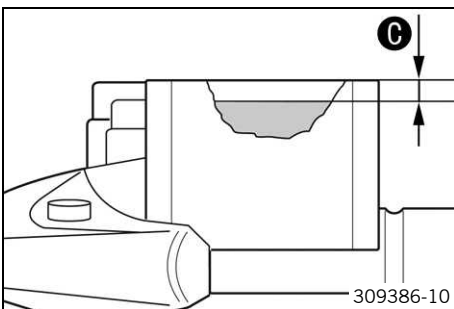
Level C	5 mm (0.2 in)
---------	---------------

Brake fluid DOT 4 / DOT 5.1 (☞ p. 268)
--

- Position the cover with the membrane. Mount and tighten the screws.

i Info
Clean up overflowed or spilt brake fluid immediately with water.

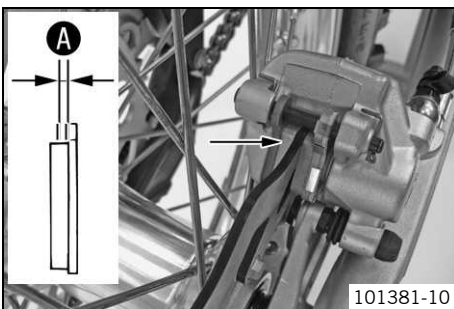
- Check the hand brake lever for a firm pressure point.



16.9 Checking the rear brake linings

Warning
Danger of accidents Reduced braking efficiency caused by worn brake linings.

- Change worn brake linings immediately.



- Check the brake linings for minimum thickness A.

Minimum thickness A	≥ 1 mm (≥ 0.04 in)
---------------------	--------------------

- » If the minimum thickness is less than specified:
 - Change the brake linings of the rear brake. (☞ p. 112)
- Check the brake linings for damage and cracking.
 - » If damage or cracking is visible:
 - Change the brake linings of the rear brake. (☞ p. 112)

16.10 Changing the brake linings of the rear brake



Warning

Danger of accident Brake system failure.

- Maintenance work and repairs must be carried out professionally.



Warning

Skin irritation Brake fluid can cause skin irritation on contact.

- Avoid contact with skin and eyes, and keep out of the reach of children.
- Wear suitable protective clothing and goggles.
- If brake fluid comes into contact with the eyes, flush the eyes thoroughly with water and consult a physician immediately.



Warning

Danger of accidents Reduced braking efficiency due to old brake fluid.

- Change the brake fluid of the front and rear brake according to the service schedule.



Warning

Danger of accidents Reduced braking efficiency due to use of non-approved brake linings.

- Brake linings available from accessory suppliers are often not tested and approved for use on KTM vehicles. The construction and friction factor of the brake linings and therefore the brake power can differ considerably from the original KTM brake linings. If brake linings are used that differ from the originals, there is no guarantee that they comply with the original license. The vehicle no longer corresponds to the condition at delivery, and the warranty is no longer valid.



Warning

Environmental hazard Hazardous substances cause environmental damage.

- Oil, grease, filters, fuel, cleaners, brake fluid, etc., should be disposed of as stipulated in applicable regulations.

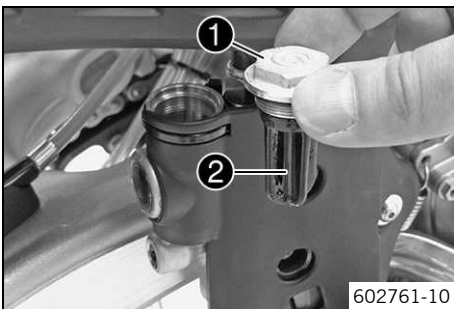


Info

Never use DOT 5 brake fluid! It is silicone-based and purple in color. Oil seals and brake lines are not designed for DOT 5 brake fluid.

Avoid contact between brake fluid and painted parts. Brake fluid attacks paint!

Use only clean brake fluid from a sealed container!

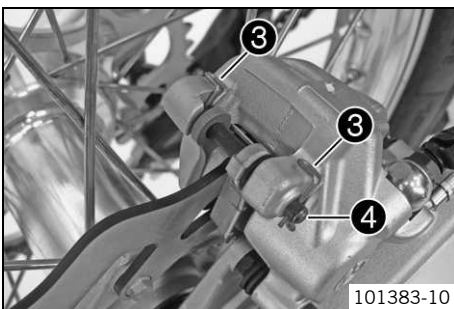


- Position the vehicle vertically.
- Remove screw cap ① with membrane ② and the O-ring.
- Press the brake piston back into the basic position and ensure that brake fluid does not flow out of the brake fluid reservoir, extracting it by suction if it does.

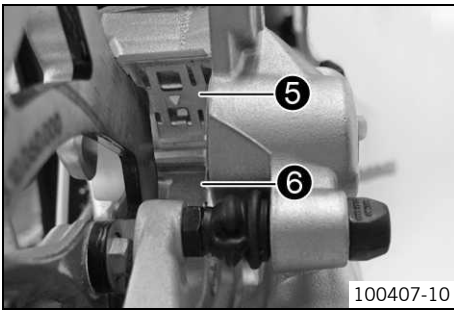


Info

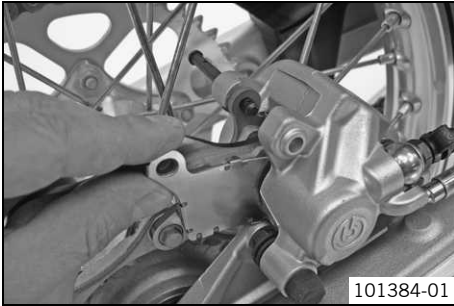
Make sure when pushing back the brake piston that you do not press the brake caliper against the spokes.



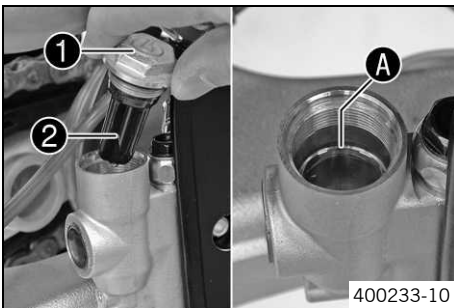
- Remove cotter pins ③, pull out pin ④, and remove the brake linings.
- Clean the brake caliper and brake caliper support.



- Check that leaf spring 5 in the brake caliper and sliding plate 6 in the brake caliper support are seated correctly.



- Insert the brake linings, insert the pin, and mount the cotter pins.
- Operate the foot brake lever several times until the brake linings are lying against the brake disc and there is a pressure point.



- Correct the brake fluid level to marking A.

Brake fluid DOT 4 / DOT 5.1 (☞ p. 268)
--

- Mount screw cap 1 with membrane 2 and the O-ring.

i Info

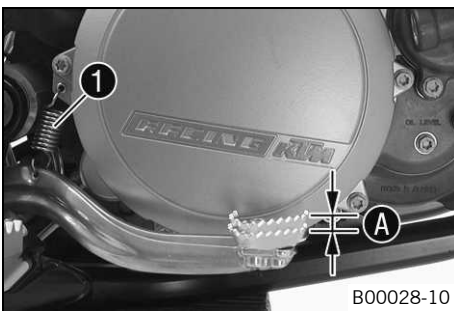
Wash off overflowed or spilled brake fluid immediately with water.

16.11 Checking the free travel of foot brake lever

Warning

Danger of accidents Brake system failure.

- If there is no free travel on the foot brake lever, pressure builds up on the rear brake circuit. The rear brake can fail due to overheating. Adjust the free travel on foot brake lever according to specifications.



- Disconnect spring 1.
- Move the foot brake lever back and forth between the end stop and the contact to the foot brake cylinder piston and check free travel A.

Guideline

Free travel at foot brake lever	3... 5 mm (0.12... 0.2 in)
---------------------------------	----------------------------

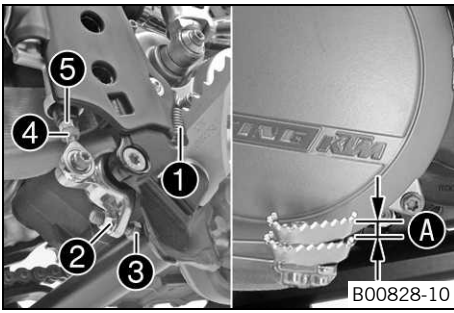
- » If the free travel does not meet specifications:
 - Adjust the basic position of the foot brake lever. (☞ p. 113)
- Reconnect spring 1.

16.12 Adjusting the basic position of the foot brake lever

Warning

Danger of accidents Brake system failure.

- If there is no free travel on the foot brake lever, pressure builds up on the rear brake circuit. The rear brake can fail due to overheating. Adjust the free travel on foot brake lever according to specifications.



- Disconnect spring ①.
- Loosen nut ④ and, with push rod ⑤, turn it back until you have maximum free travel.
- To adjust the basic position of the foot brake lever individually, loosen nut ② and turn screw ③ accordingly.



Info
The range of adjustment is limited.

- Turn push rod ⑤ accordingly until you have free travel ④. If necessary, adjust the basic position of the foot brake lever.

Guideline

Free travel at foot brake lever	3... 5 mm (0.12... 0.2 in)
---------------------------------	----------------------------

- Hold screw ③ and tighten nut ②.

Guideline

Nut, foot brake lever stop	M8	20 Nm (14.8 lbf ft)
----------------------------	----	------------------------

- Hold push rod ⑤ and tighten nut ④.

Guideline

Remaining nuts, chassis	M6	10 Nm (7.4 lbf ft)
-------------------------	----	--------------------

- Reconnect spring ①.

16.13 Checking the rear brake fluid level



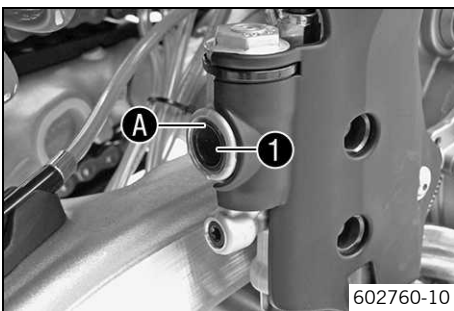
Warning
Danger of accidents Failure of the brake system.

- If the brake fluid level falls below the **MIN** mark, this indicates a leakage in the brake system or worn-out brake linings. Check the brake system and do not continue riding.



Warning
Danger of accidents Reduced braking efficiency due to old brake fluid.

- Change the brake fluid of the front and rear brake according to the service schedule.



- Stand the vehicle upright.
- Check the brake fluid level in the viewer ①.
 - » If the fluid has dropped below marking ④ in the level viewer:
 - Add brake fluid for the rear brake. (☛ p. 114)

16.14 Adding brake fluid for the rear brake



Warning
Danger of accidents Failure of the brake system.

- If the brake fluid level falls below the **MIN** mark, this indicates a leakage in the brake system or worn-out brake linings. Check the brake system and do not continue riding.



Warning
Skin irritation Brake fluid can cause skin irritation on contact.

- Avoid contact with skin and eyes, and keep out of the reach of children.
- Wear suitable protective clothing and goggles.
- If brake fluid comes into contact with the eyes, flush the eyes thoroughly with water and consult a physician immediately.

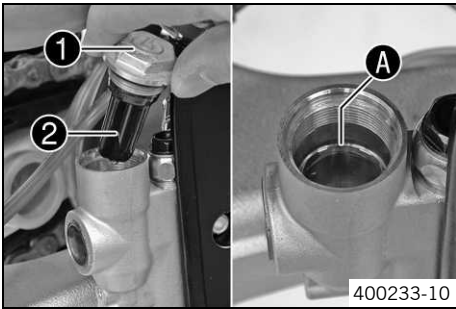


Warning
Danger of accidents Reduced braking efficiency due to old brake fluid.

- Change the brake fluid of the front and rear brake according to the service schedule.

Warning
Environmental hazard Hazardous substances cause environmental damage.
 – Oil, grease, filters, fuel, cleaners, brake fluid, etc., should be disposed of as stipulated in applicable regulations.

i Info
 Never use DOT 5 brake fluid! It is silicone-based and purple in color. Oil seals and brake lines are not designed for DOT 5 brake fluid.
 Avoid contact between brake fluid and painted parts. Brake fluid attacks paint!
 Use only clean brake fluid from a sealed container!



Preparatory work

- Check the rear brake linings. (☛ p. 111)

Main work

- Stand the vehicle upright.
- Remove screw cap ① with membrane ② and the O-ring.
- Add brake fluid to level A.

Brake fluid DOT 4 / DOT 5.1 (☛ p. 268)

- Mount the screw cap with the membrane and the O-ring.

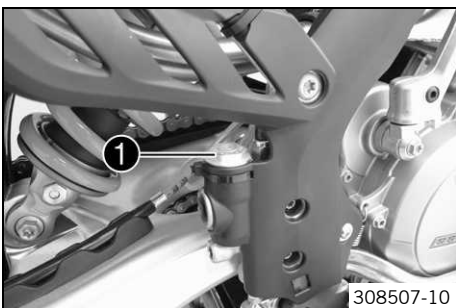
i Info
 Clean up overflowed or spilt brake fluid immediately with water.

16.15 Changing the rear brake fluid

Warning
Skin irritation Brake fluid can cause skin irritation on contact.
 – Avoid contact with skin and eyes, and keep out of the reach of children.
 – Wear suitable protective clothing and goggles.
 – If brake fluid comes into contact with the eyes, flush the eyes thoroughly with water and consult a physician immediately.

Warning
Environmental hazard Hazardous substances cause environmental damage.
 – Oil, grease, filters, fuel, cleaners, brake fluid, etc., should be disposed of as stipulated in applicable regulations.

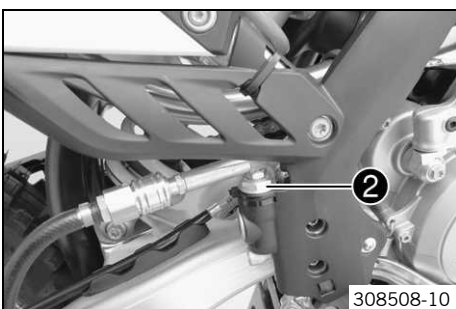
i Info
 Avoid contact between brake fluid and painted parts. Brake fluid attacks paint!
 Use only clean brake fluid from a sealed container.



- Cover the painted parts.
- Remove screw cap ① with membrane and the O-ring.
- Draw the old brake fluid out of the brake fluid reservoir using a syringe and fill with fresh brake fluid.

Bleed syringe (50329050000) (☛ p. 273)

Brake fluid DOT 4 / DOT 5.1 (☛ p. 268)

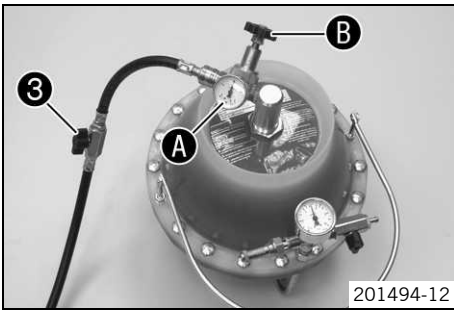


- Mount bleeder cover ②.

Bleeder cover (00029013006) (☛ p. 272)

- Connect the bleeding device.

Bleeding device (00029013100) (☛ p. 272)



- Open shut-off valve **3**.

i Info

Follow the operating instructions of the bleeding device.

- Ensure that the filling pressure is correctly set at pressure gauge **A**. If necessary, adjust the filling pressure at pressure regulator **B**.

Guideline

Filling pressure	2... 2.5 bar (29... 36 psi)
------------------	-----------------------------

- Pull off protection cap **4** of the bleeder screw. Connect the hose of the bleeder bottle.

Bleeding device (00029013100) (☛ p. 272)
--

- Open bleeder screw **5** by approx. one half turn.

i Info

Bleed until fresh brake fluid emerges from the bleeder bottle hose without bubbles.

- Tighten the bleeder screw.
- Close shut-off valve **3**.
- Open the bleeder screw again until brake fluid stops emerging.

i Info

This prevents overfilling of the brake fluid reservoir.

- Tighten the bleeder screw. Remove the hose of the bleeder bottle. Mount the protection cap.
- Disconnect the bleeding device. Remove the bleeder cover.
- Stand the vehicle upright.
- Add brake fluid to level **C**.

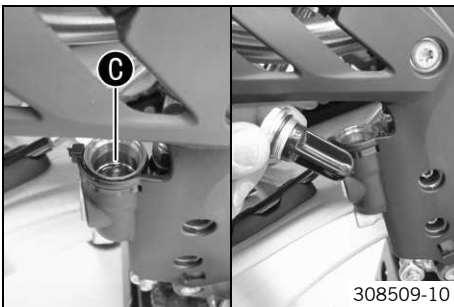
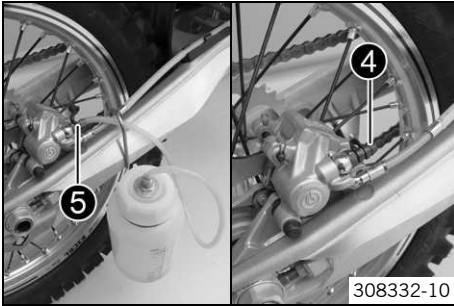
Brake fluid DOT 4 / DOT 5.1 (☛ p. 268)
--

- Fit and tighten the screw cap with the membrane and O-ring.

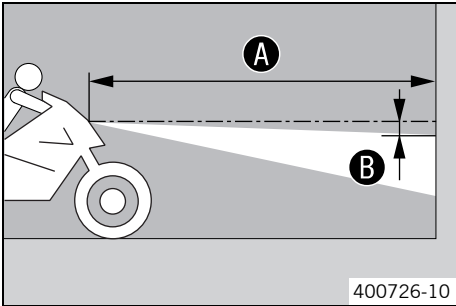
i Info

Clean up overflowed or spilt brake fluid immediately with water.

- Check the foot brake lever for a firm pressure point.



17.1 Checking the headlight setting



- Position the vehicle upright on a horizontal surface in front of a light wall and make a mark at the height of the center of the low beam headlight.
- Make another mark a distance **B** under the first mark.

Guideline

Distance B	5 cm (2 in)
-------------------	-------------

- Position the vehicle vertically a distance **A** away from the wall.

Guideline

Distance A	5 m (16 ft)
-------------------	-------------

- The rider now sits down on the motorcycle.
- Switch on the low beam.
- Check the headlight setting.

The boundary between light and dark must be exactly on the lower mark for a motorcycle with driver.

- » If the light-dark border does not meet specifications:
 - Adjust the headlight range. (☛ p. 117)

17.2 Adjusting the headlight range



Preparatory work

- Check the headlight setting. (☛ p. 117)

Main work

- Loosen screw **1**.
- Adjust the headlight range by swiveling the headlight.

Guideline

The boundary between light and dark must be exactly on the lower mark for a motorcycle with driver (instructions on how to apply the mark: Checking the headlight setting).

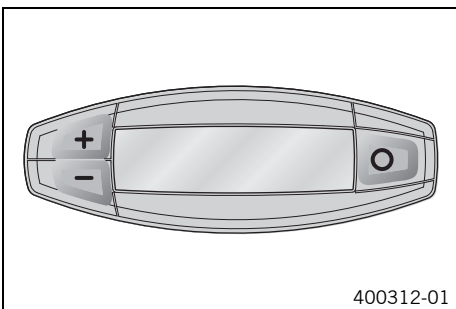
i **Info**

The headlight range may need to be corrected if luggage is carried on the vehicle.

- Tighten screw **1**.

17.3 EXC EU/AUS, XC-W

17.3.1 Speedometer overview

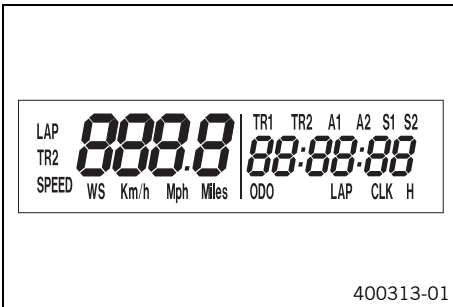


- Press the button **○** to change the display mode or change to one of the Setup menus.
- Press the button **+** to control different functions.
- Press the button **-** to control different functions.

i **Info**

When the vehicle is delivered, only the **SPEED/H** and **SPEED/ODO** display modes are activated.

17.3.2 Activation and test

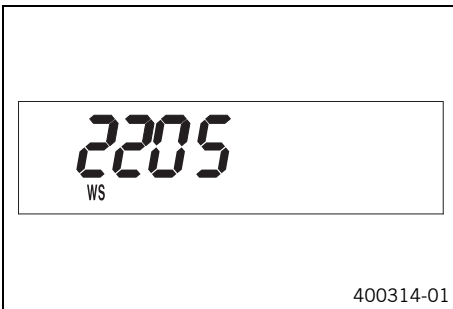


Activating the speedometer

The speedometer is activated when one of the buttons is pressed or an impulse comes from the wheel speed sensor.

Display test

To enable you to check that the display is functioning properly, all display segments light up briefly.



WS (wheel size)

After the display function check, the wheel size **WS** is displayed briefly.



Info

The number 2205 equals the circumference of the 21" front wheel with standard tires.

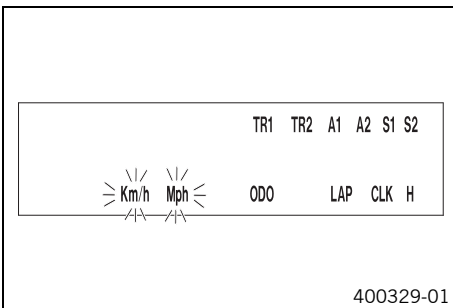
The display then changes to the last selected mode.

17.3.3 Setting kilometers or miles



Info

If you change the unit of measure, the **ODO** value is retained and converted accordingly. The values **TR1**, **TR2**, **A1**, **A2** and **S1** are cleared when the unit of measure is changed.



Condition

The motorcycle is stationary.

- Press the button briefly and repeatedly until **H** appears at the bottom right of the display.
- Press the button for 3 - 5 seconds.
 - ✓ The Setup menu is displayed and the active functions are shown.
- Press the button repeatedly until the **Km/h/Mph** display flashes.

Adjusting Km/h

- Press the button .

Adjusting Mph

- Press the button .
- Press the button for 3 - 5 seconds.
 - ✓ The settings are stored and the Setup menu is closed.



Info

If no button is pressed for 20 seconds, or if no impulse comes from the wheel speed sensor, the settings are automatically saved and the Setup menu is closed.

17.3.4 Adjusting the speedometer functions

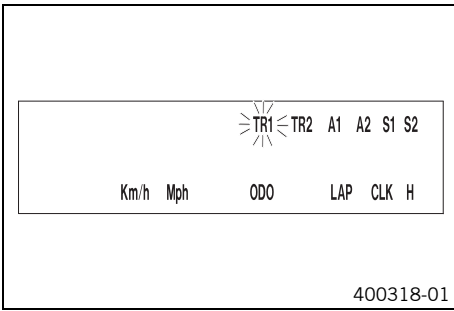


Info

When the vehicle is delivered, only the **SPEED/H** and **SPEED/ODO** display modes are activated.

Condition

The motorcycle is stationary.



- Press the button briefly and repeatedly until **H** appears at the bottom right of the display.
- Press the button for 3 - 5 seconds.
 - ✓ The Setup menu is displayed and the activated functions are shown.
- Change to the desired function by pressing the button briefly.
 - ✓ The selected function flashes.

Activating a function

- Press the button .
- ✓ The symbol remains on the screen and the display changes to the next function.

Deactivating the function

- Press the button .
- ✓ The symbol on the screen goes out and the display changes to the next function.

- All desired functions are activated or deactivated accordingly.

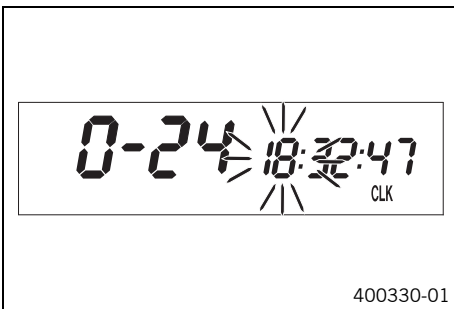
- Press the button for 3 - 5 seconds.

- ✓ The settings are stored and the Setup menu is closed.

i Info

If no button is pressed for 20 seconds, or if no impulse comes from the wheel speed sensor, the settings are automatically saved and the Setup menu is closed.

17.3.5 Setting the clock



Condition

The motorcycle is stationary.

- Press the button briefly and repeatedly until **CLK** appears at the bottom right of the display.
- Press the button for 3 - 5 seconds.
 - ✓ The hour display flashes.
- Set the hour display with the button and/or button .
- Press the button briefly.
 - ✓ The next segment of the display flashes and can be set.
- You can set the following segments in the same way as the hours by pressing the button and the button .

i Info

The seconds can only be set to zero.

- Press the button for 3 - 5 seconds.

- ✓ The settings are stored and the Setup menu is closed.

i Info

If no button is pressed for 20 seconds, or if no impulse comes from the wheel speed sensor, the settings are automatically saved and the Setup menu is closed.

17.3.6 Activating the additional functions



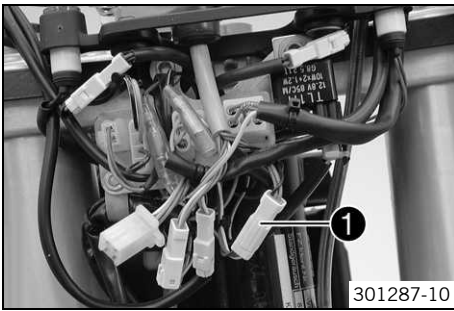
Danger

Voiding of the government approval for road use and the insurance coverage The vehicle is only authorized for operation on public roads in the homologated version.

- If the vehicle is modified in any way, it may only be used on designated tracks away from public roads. Advise the vehicle owner and rider of this.
- If you undertake any modifications, please insist on receiving a signed workshop order from your customer in which you inform the customer in writing that these modifications are performed at the customer's own risk and that the vehicle will no longer be approved for use on public roads once modified.

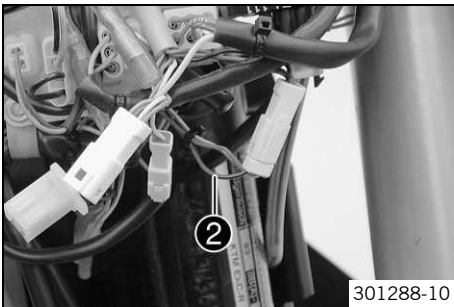
Preparatory work

- Remove the headlight mask with the headlight. (🔧 p. 89)



Main work

- Expose connector **CZ** ❶.



- Sever the black/brown cable ❷.
- Insulate both cable ends.

Finishing work

- Refit the headlight mask with the headlight. (☛ p. 90)
- Check the headlight setting. (☛ p. 117)

17.3.7 Setting the wheel circumference

Condition

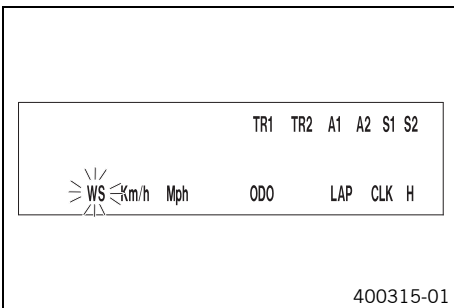
The motorcycle is stationary.

Preparatory work

- Remove the headlight mask with the headlight. (☛ p. 89)
- Activate the additional functions. (☛ p. 119)

Main work

- Press the button briefly and repeatedly until **H** appears at the bottom right of the display.
- Press the button for 3 - 5 seconds.
 - ✓ The setup menu is displayed and the active functions shown.
- Press the button until the **WS** indicator blinks.



- Press the button .
 - ✓ The wheel circumference is displayed in millimeters.

Enlarging the wheel circumference

- Press the button .

Reducing the wheel circumference

- Press the button .
- Press the button briefly.
- Press the button for 3 - 5 seconds.
 - ✓ The settings are stored and the setup menu is closed.

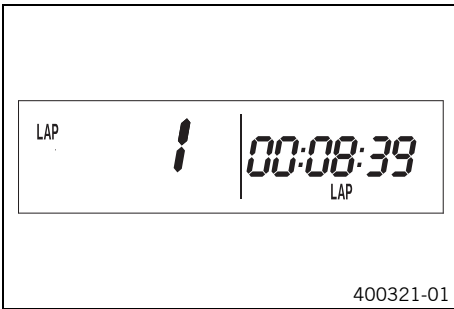
i Info

If no button is pressed for 20 seconds, or if no impulse comes from the wheel speed sensor, the settings are automatically saved and the Setup menu is closed.

17.3.8 Querying lap time

i Info

This function can be called up only if lap times are measured.



Condition

The motorcycle is stationary.

- Press the button briefly and repeatedly until **LAP** appears at the bottom right of the display.
- Press the button briefly.
- ✓ **LAP 1** appears on the left side of the display.
- Laps 1-10 can be displayed by pressing the button .
- The button has no function.
- Press the button briefly.
- ✓ Next display mode

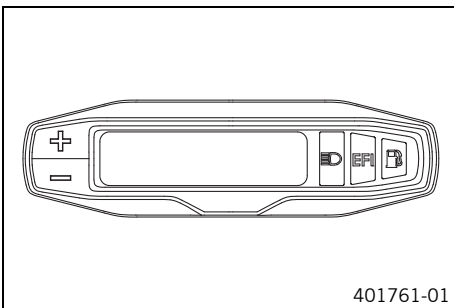


Info

If an impulse is received from the wheel speed sensor, the left side of the display changes back to the **SPEED** mode.

17.4 250/300 SIX DAYS

17.4.1 Speedometer overview



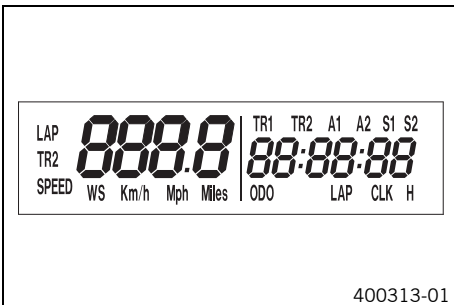
- Press the button to control different functions.
- Press the button to control different functions.



Info

When the vehicle is delivered, only the **SPEED/H** and **SPEED/ODO** display modes are activated.

17.4.2 Activation and test

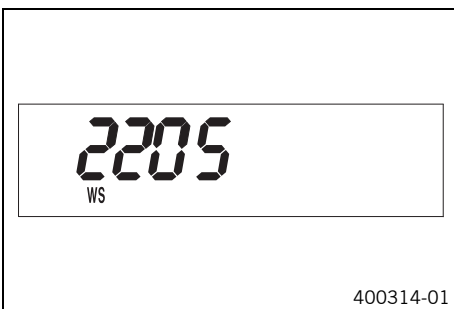


Activating the speedometer

The speedometer is activated when one of the buttons is pressed or an impulse comes from the wheel speed sensor.

Display test

To enable you to check that the display is functioning properly, all display segments light up briefly.



WS (wheel size)

After the display function check, the wheel size **WS** is displayed briefly.



Info

The number 2205 equals the circumference of the 21" front wheel with standard tires.

The display then changes to the last selected mode.

17.4.3 Setting kilometers or miles

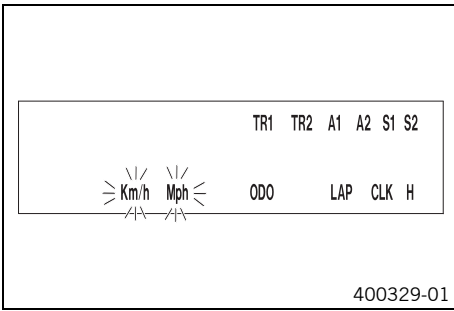


Info

If you change the unit, the value **ODO** is retained and converted accordingly. The values **TR1**, **TR2**, **A1**, **A2** and **S1** are cleared when the unit of measure is changed.

Condition

The motorcycle is stationary.



- Repeatedly press the button briefly until **H** appears at the bottom right of the display.
- Press the button for 2–3 seconds.
 - ✓ The Setup menu is displayed and the active functions are shown.
- Repeatedly press the button briefly until **Km/h/Mph** flashes.

Setting the Km/h

- Press the button .

Setting the Mph

- Press the button .
- Wait 3–5 seconds
 - ✓ The settings are stored.

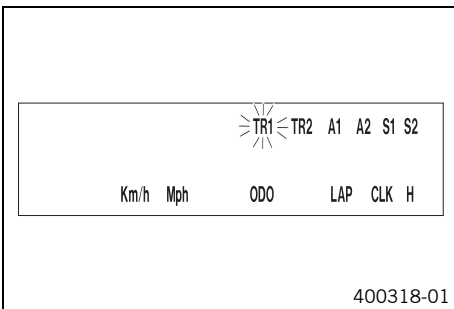
i Info

If no button is actuated for 10–12 seconds or there is no signal from the wheel speed sensor, then the settings are automatically stored and the Setup menu is closed.

17.4.4 Setting the speedometer functions

i Info

When the vehicle is delivered, only the **SPEED/H** and **SPEED/ODO** display modes are activated.



Condition

The motorcycle is stationary.

- Repeatedly press the button briefly until **H** appears at the bottom right of the display.
- Press the button for 2–3 seconds.
 - ✓ The Setup menu is displayed and the active functions are shown.

i Info

If no button is pressed for 10–12 seconds, the settings are automatically stored.
If no button is actuated for 20 seconds or there is no signal from the wheel speed sensor, then the settings are automatically stored and the Setup menu is closed.

- Repeatedly press the button briefly until the desired function flashes.
 - ✓ The selected function flashes.

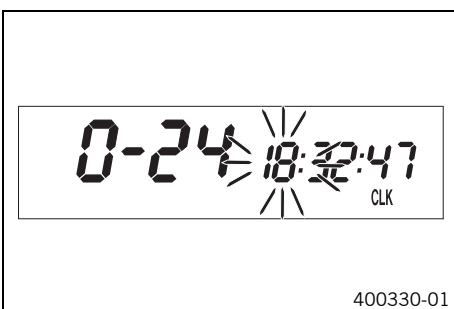
Activating the function

- Press the button .
 - ✓ The symbol continues to appear in the display and the next function appears.

Deactivating a function

- Press the button .
 - ✓ The symbol disappears in the display and the next function appears.

17.4.5 Setting the clock



Condition

The motorcycle is stationary.

- Repeatedly press the button briefly until **CLK** appears at the bottom right of the display.
- Press the button for 2–3 seconds.
 - ✓ The hour display flashes.
- Set the hour display with the button and/or button .
- Wait 3–5 seconds
 - ✓ The next segment of the display flashes and can be set.
- You can set the following segments in the same way as the hours by pressing the button and the button .



Info

The seconds can only be set to zero.
If no button is actuated for 15–20 seconds or there is no signal from the wheel speed sensor, then the settings are automatically stored and the Setup menu is closed.

17.4.6 Setting the wheel circumference

Condition

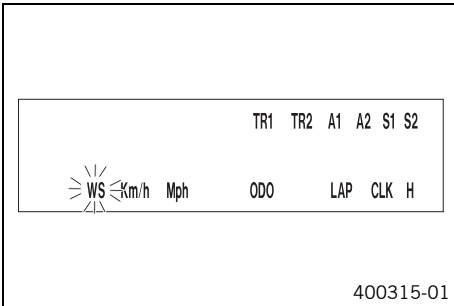
The motorcycle is stationary.

Preparatory work

- Remove the headlight mask with the headlight. (☛ p. 89)
- Activate the additional functions. (☛ p. 119)

Main work

- Repeatedly press the button briefly until **H** appears at the bottom right of the display.
- Press the button for 2–3 seconds.
- When **WS** flashes, press the button briefly.



Info

The wheel circumference is displayed in millimeters.

Enlarging the wheel circumference

- Press the button .

Reducing the wheel circumference

- Press the button .



Info

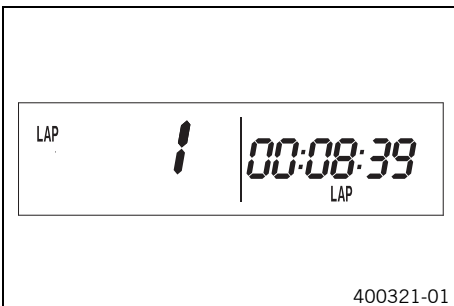
If no button is pressed for 20 seconds, or if no impulse comes from the wheel speed sensor, the settings are automatically saved and the Setup menu is closed.

17.4.7 Viewing the lap time



Info

This function can only be opened if lap times have actually been timed.



Condition

The motorcycle is stationary.

- Repeatedly press the button briefly until **LAP** appears at the bottom right of the display.
- Briefly press the button .
- ✓ **LAP 1** appears on the left side of the display.
- The laps 1–10 can be viewed with the button .
- Press and hold the button for 3–5 seconds to clear the lap times.
- Briefly press the button .
- ✓ Next display mode



Info

When a signal from the wheel speed sensor arrives, the left side of the display changes back to the **SPEED** mode.

18.1 Removing the engine

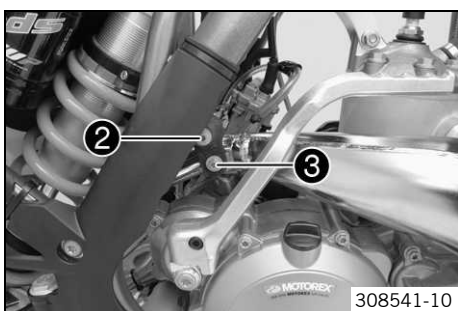
Preparatory work (250/300 SIX DAYS)

- Remove the engine guard. (☛ p. 57)
- Raise the motorcycle with the lift stand. (☛ p. 10)
- Remove the seat. (☛ p. 85)
- Remove the fuel tank. (☛ p. 86)
- Disconnect the negative (minus) cable of the battery. (☛ p. 102)
- Drain the coolant. (☛ p. 196)
- Remove the main silencer. (☛ p. 81)

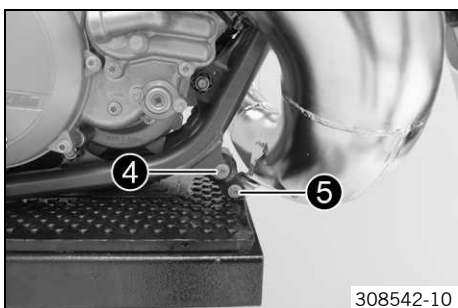
Main work

- Remove springs ❶.

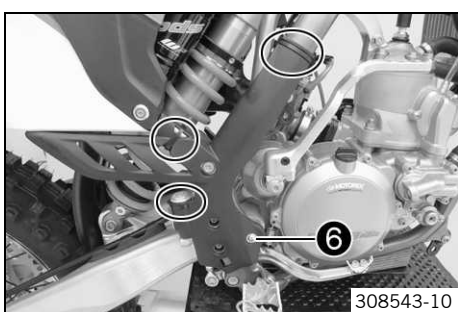
Spring hooks (50305017000) (☛ p. 272)



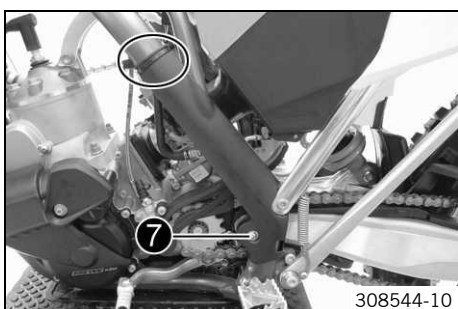
- Loosen screw ❷.
- Remove screw ❸.



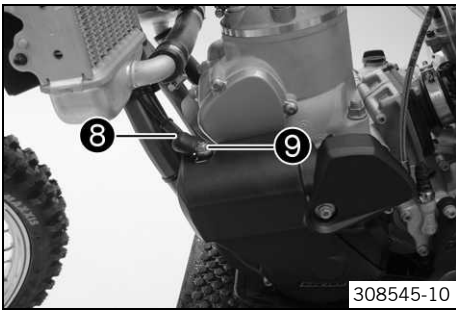
- Loosen screw ❹.
- Remove screw ❺.
- Take off the exhaust manifold.



- Loosen screw ❻.
- Remove the cable binders.
- Take off the frame protector.



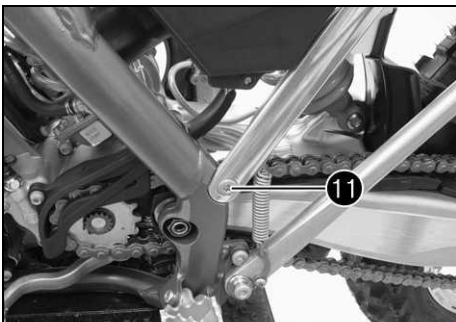
- Loosen screw ❼.
- Remove the cable binder.
- Take off the frame protector.



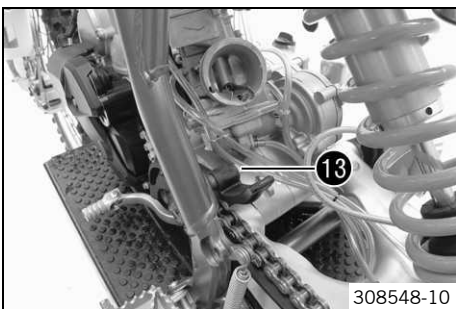
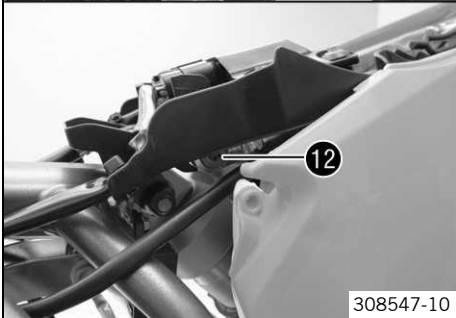
- Push back cover **8**.
- Remove nut **9** and hang the positive cable to the side.



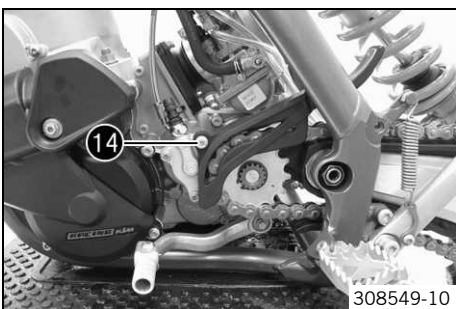
- Release hose clip **10**.



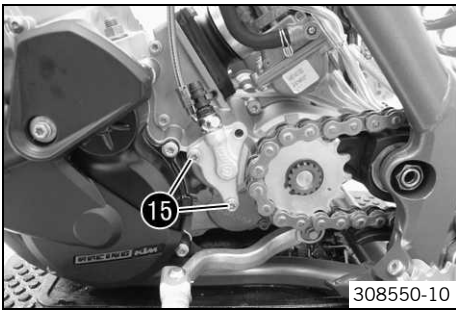
- Remove screw **11**.
- Loosen screw **12**.
- Repeat these steps on the opposite side.
- Swing up the subframe and secure it.



- Remove screw **13**.



- Remove screw **14**.
- Take off the engine sprocket cover.

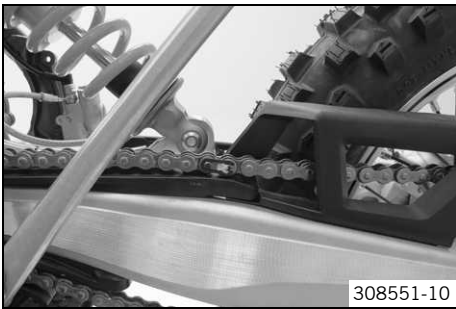


- Remove screws 15.
- Take off the clutch slave cylinder and hang it to one side.

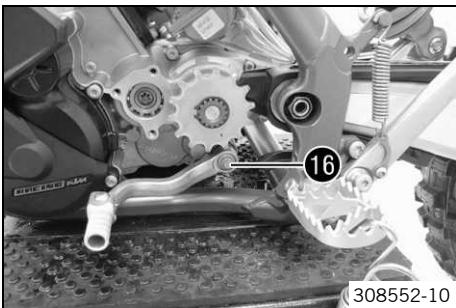


Info

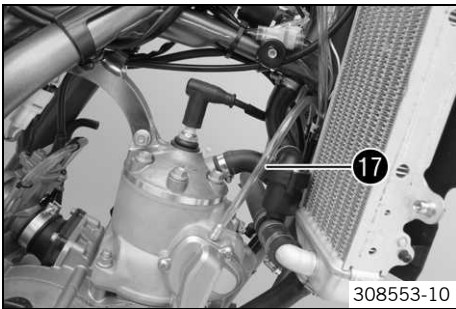
Do not kink the clutch line.
Do not activate the clutch lever while the clutch slave cylinder is removed.



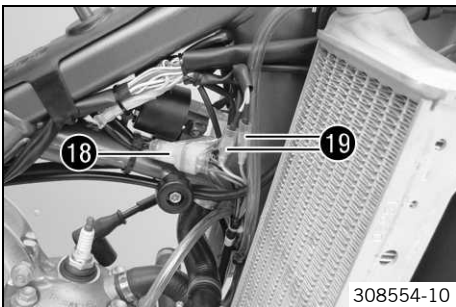
- Remove the connecting link of the chain.
- Take off the chain.



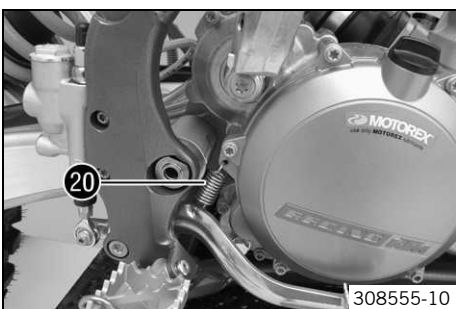
- Remove screw 16.
- Take off the shift lever.



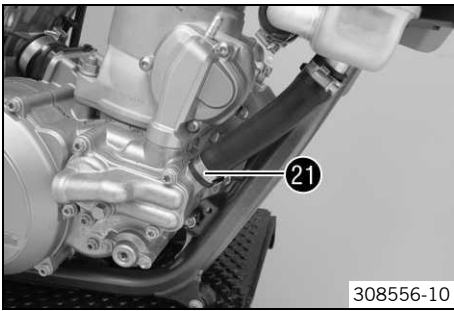
- Pull off the spark plug connector.
- Pull off vent hose 17.



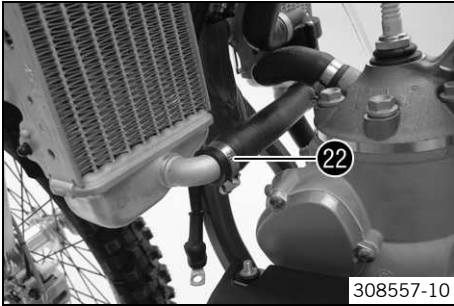
- Disconnect connector 18.
- Disconnect connector 19.
- Remove the cable binder and expose the cable.



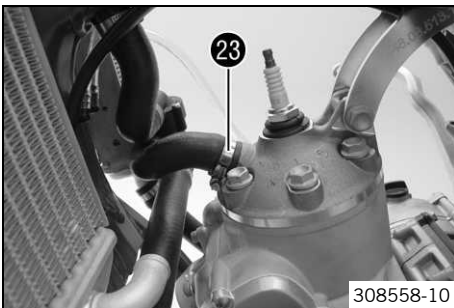
- Remove spring 20.



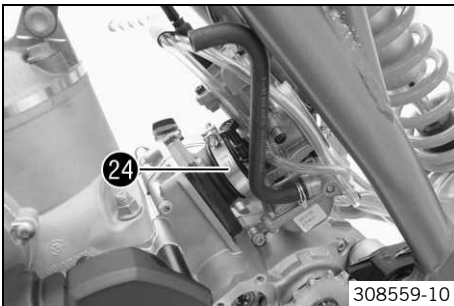
- Loosen hose clip 21.
- Pull off the radiator hose.



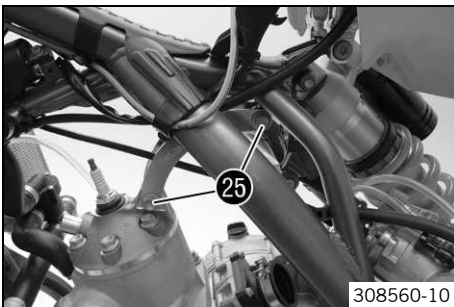
- Loosen hose clip 22.
- Pull off the radiator hose.



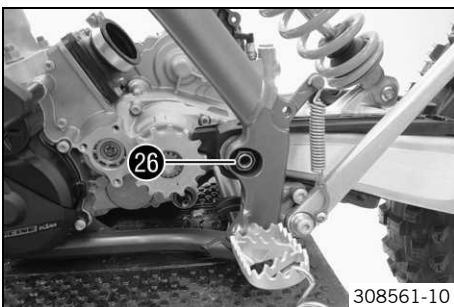
- Loosen hose clip 23.
- Pull off the radiator hose.



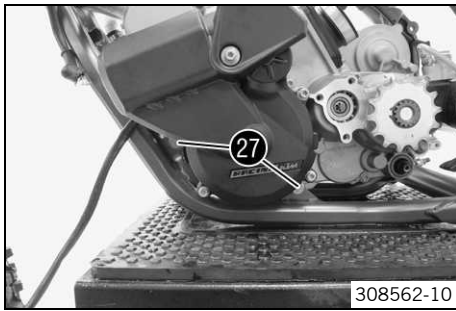
- Loosen hose clip 24.
- Pull the carburetor rearward out of the intake flange and hang it to one side.



- Remove fittings 25.
- Take off the engine braces.

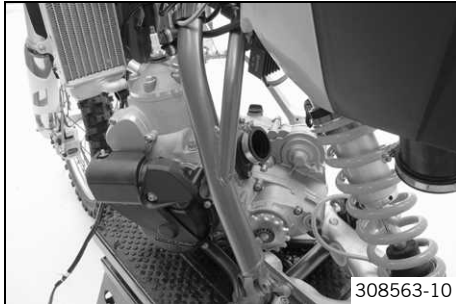


- Remove nut 26.
- Remove the swingarm pivot.
- Pull the swingarm toward the rear slightly.



308562-10

- Remove screws 27.



308563-10

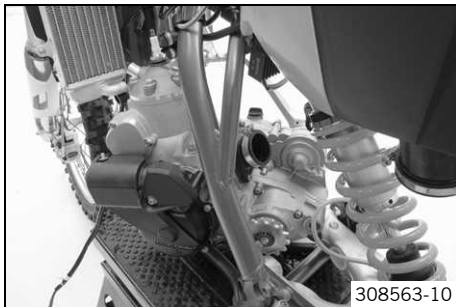
- Lift out the engine sideways.



Info

The help of an assistant is useful in this step. Ensure that the motorcycle is sufficiently secured against falling over. Protect the frame and attachments against damage.

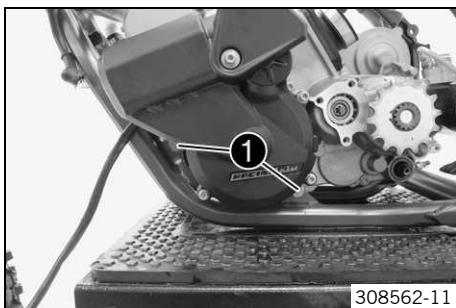
18.2 Installing the engine



308563-10

Main work

- Position the engine in the frame.

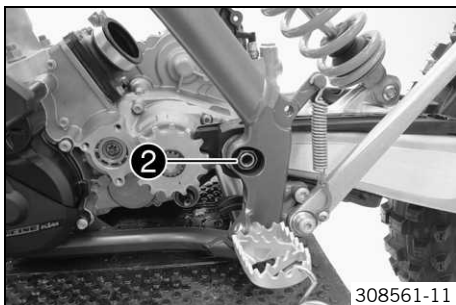


308562-11

- Mount screws 1 but do not tighten yet.

Guideline

Engine bracket screw	M10	60 Nm (44.3 lbf ft)
----------------------	-----	------------------------

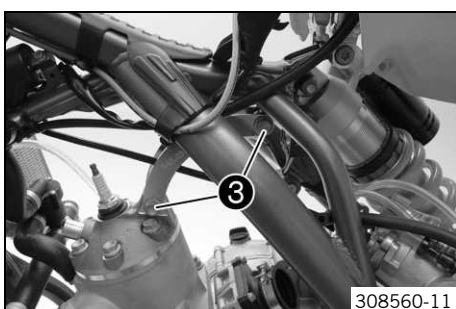


308561-11

- Position the swingarm.
- Mount the swingarm pivot.
- Mount nut 2 but do not tighten it yet.

Guideline

Nut, swingarm pivot	M16x1.5	100 Nm (73.8 lbf ft)
---------------------	---------	-------------------------



308560-11

- Position the engine braces.
- Mount and tighten fittings 3.

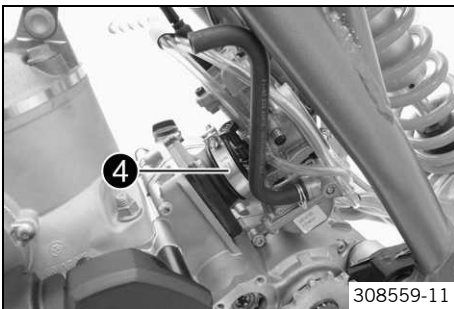
Guideline

Screw, engine brace	M8	33 Nm (24.3 lbf ft)
---------------------	----	------------------------

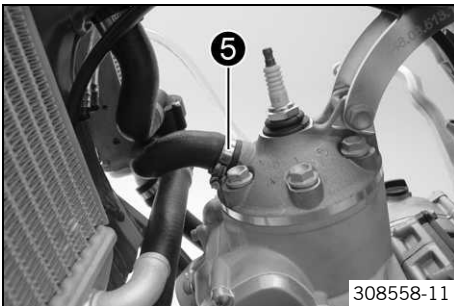
- Tighten screws 1 and nut 2.

Guideline

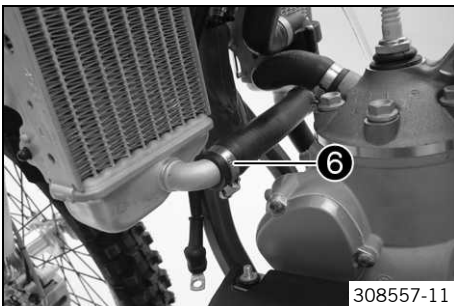
Engine bracket screw	M10	60 Nm (44.3 lbf ft)
Nut, swingarm pivot	M16x1.5	100 Nm (73.8 lbf ft)



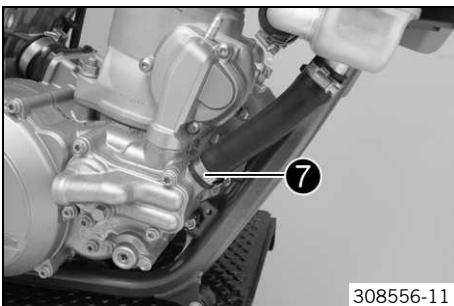
- Slide the carburetor into the intake flange.
- Position and tighten hose clip 4.



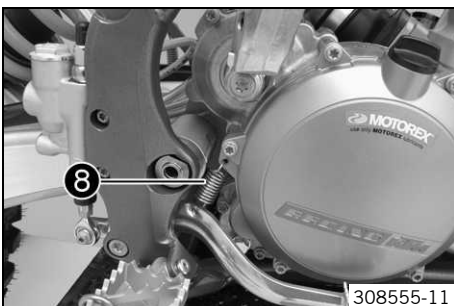
- Mount the radiator hose.
- Position and tighten hose clip 5.



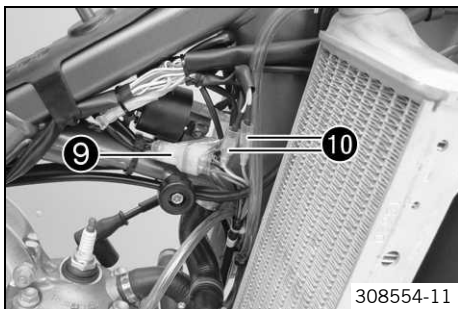
- Mount the radiator hose.
- Position and tighten hose clip 6.



- Mount the radiator hose.
- Position and tighten hose clip 7.



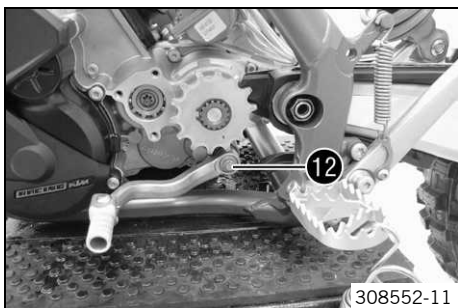
- Mount spring 8.



- Plug in connector 9.
- Plug in connector 10.
- Route the cable and secure with a cable binder.



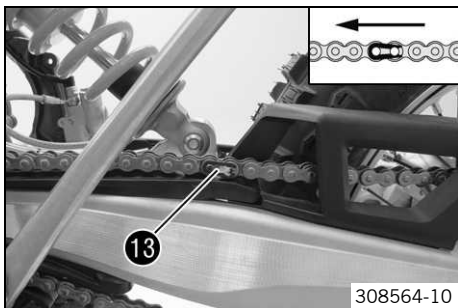
- Mount the spark plug connector.
- Mount vent hose 11.



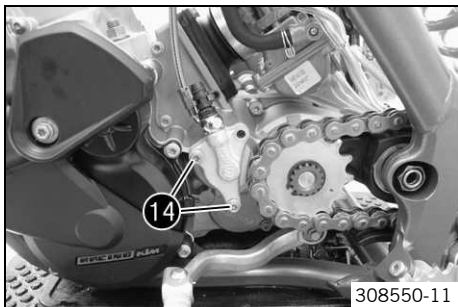
- Position the shift lever.
- Mount and tighten screw 12.

Guideline

Screw, shift lever	M6	14 Nm (10.3 lbf ft)	Loctite® 243™
--------------------	----	------------------------	---------------



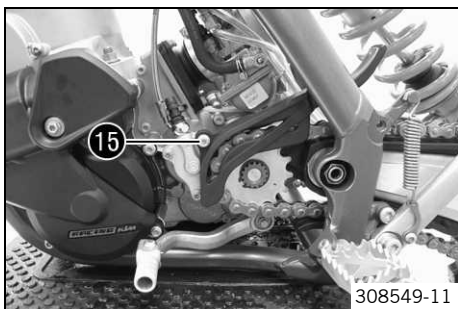
- Mount the chain.
- Connect the chain with connecting link 13.



- Position the clutch slave cylinder with the O-ring.
- Mount and tighten screws 14.

Guideline

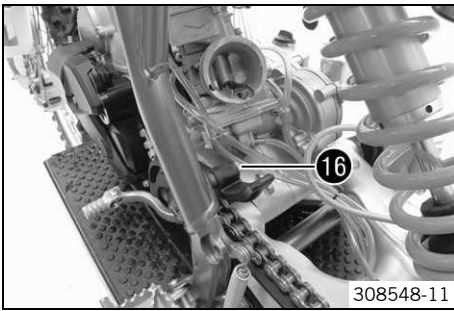
Screw, slave cylinder of the clutch	M6	10 Nm (7.4 lbf ft)
-------------------------------------	----	--------------------



- Position the engine sprocket cover.
- Mount and tighten screw 15.

Guideline

Screw, slave cylinder of the clutch	M6	10 Nm (7.4 lbf ft)
-------------------------------------	----	--------------------



- Mount and tighten screw 16.

Guideline

Remaining screws, chassis	M8	25 Nm (18.4 lbf ft)
---------------------------	----	------------------------



- Remove the fixation and position the subframe.



Info

Watch out for the intake flange.

- Mount and tighten screw 17.

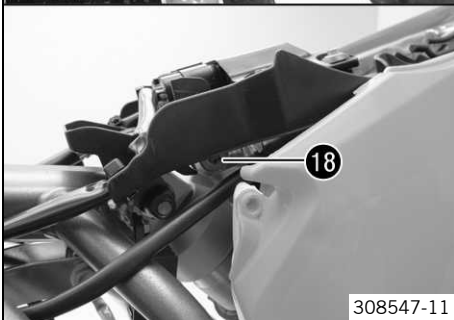
Guideline

Screw, subframe	M8	35 Nm (25.8 lbf ft)	Loctite® 2701™
-----------------	----	------------------------	-----------------------

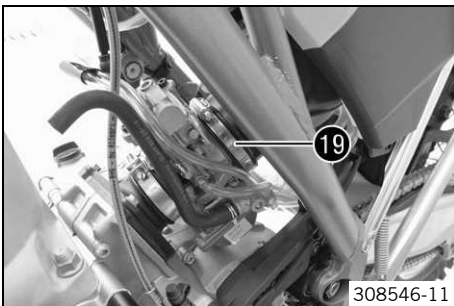
- Remove screw 18.
- Mount and tighten screw 18.

Guideline

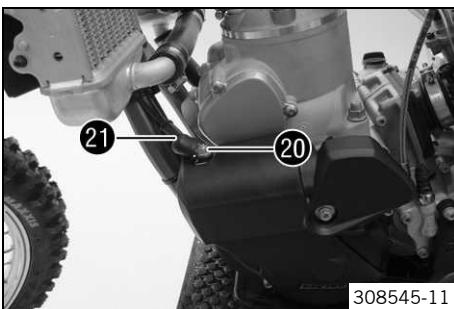
Screw, subframe	M8	35 Nm (25.8 lbf ft)	Loctite® 2701™
-----------------	----	------------------------	-----------------------



- Repeat these steps on the opposite side.



- Position and tighten hose clip 19.

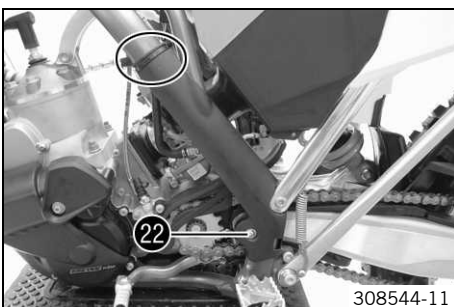


- Position the positive cable on the starter motor.
- Mount and tighten nut 20.

Guideline

Nut, cable on starter motor	M6	4 Nm (3 lbf ft)
-----------------------------	----	-----------------

- Position cover 21.

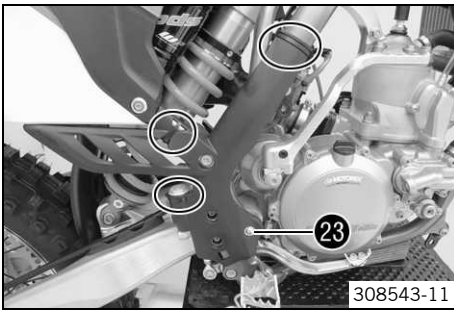


- Mount the frame protector.
- Tighten screw 22.

Guideline

Screw, frame protector	M5	3 Nm (2.2 lbf ft)
------------------------	----	-------------------

- Mount the cable binder.



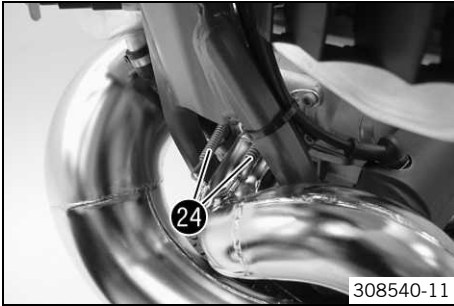
- Mount the frame protector.

- Tighten screw 23.

Guideline

Screw, frame protector	M5	3 Nm (2.2 lbf ft)
------------------------	----	-------------------

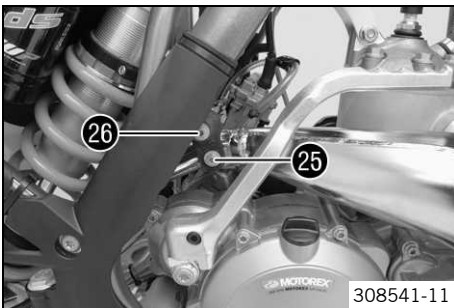
- Mount the cable binders.



- Position the exhaust manifold.

- Mount springs 24.

Spring hooks (50305017000) (☛ p. 272)



- Mount and tighten screw 25.

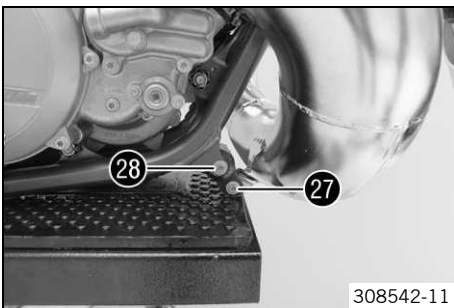
Guideline

Remaining screws, chassis	M6	10 Nm (7.4 lbf ft)
---------------------------	----	--------------------

- Tighten screw 26.

Guideline

Remaining screws, chassis	M6	10 Nm (7.4 lbf ft)
---------------------------	----	--------------------



- Mount and tighten screw 27.

Guideline

Remaining screws, chassis	M6	10 Nm (7.4 lbf ft)
---------------------------	----	--------------------

- Tighten screw 28.

Guideline

Remaining screws, chassis	M6	10 Nm (7.4 lbf ft)
---------------------------	----	--------------------

- Install the main silencer. (☛ p. 81)

- Connect the negative cable of the battery. (☛ p. 103)

- Remove screw cap 29 and add gear oil.

Gear oil	0.80 l (0.85 qt.)	Engine oil (15W/50) (☛ p. 268)
----------	-------------------	--------------------------------

- Mount and tighten screw cap 29.



Finishing work

- Remove the motorcycle from the lift stand. (☛ p. 10)

- Refill with coolant. (☛ p. 196)

- Install the fuel tank. (☛ p. 87)

- Connect the negative cable of the battery. (☛ p. 103)

- Mount the seat. (☛ p. 86)

- Take a short test ride.

- Check the engine for leakage.

- Check the gear oil level. (☛ p. 200)

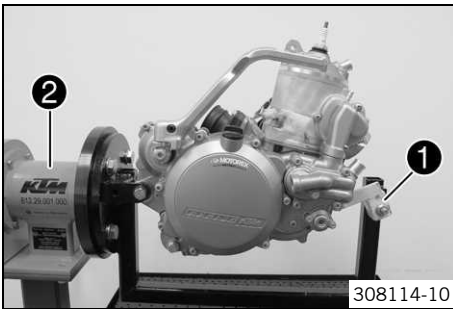
- Check the coolant level. (☛ p. 195)

(250/300 SIX DAYS)

- Install the engine guard. (☛ p. 57)

18.3 Engine disassembly

18.3.1 Clamping the engine into the engine work stand



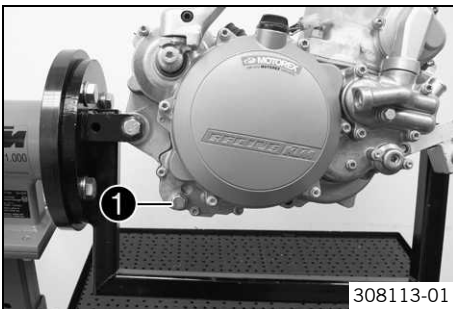
- Mount special tool ① on engine work stand ②.

Engine assembly stand (61229001000) (☞ p. 275)
--

Engine fixing arm (56029002030) (☞ p. 274)
--

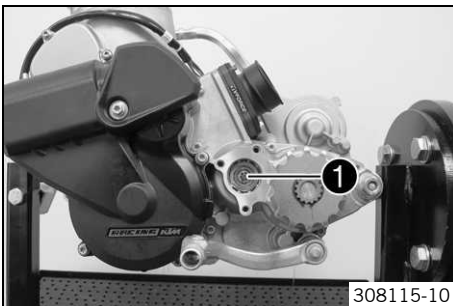
- Mount the engine on special tool ①.

18.3.2 Draining the gear oil



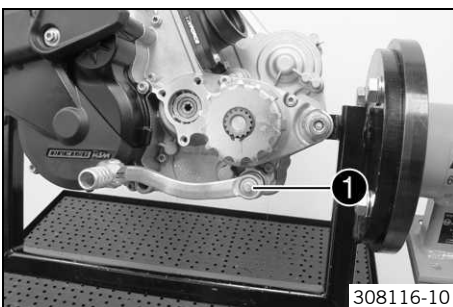
- Remove gear oil drain plug ① with the magnet and seal ring.
- Completely drain the gear oil.

18.3.3 Removing the clutch push rod



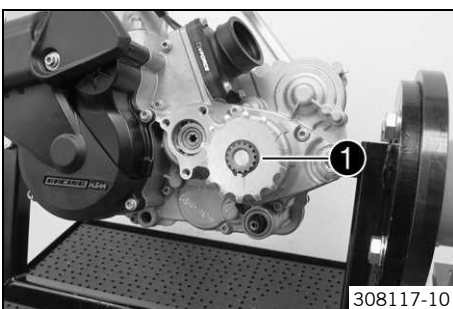
- Remove clutch push rod ①.

18.3.4 Removing the shift lever



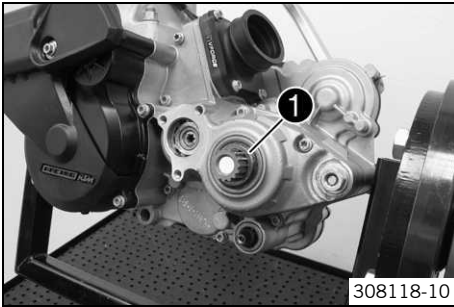
- Remove screw ① with the washers. Take off the shift lever.

18.3.5 Removing the engine sprocket

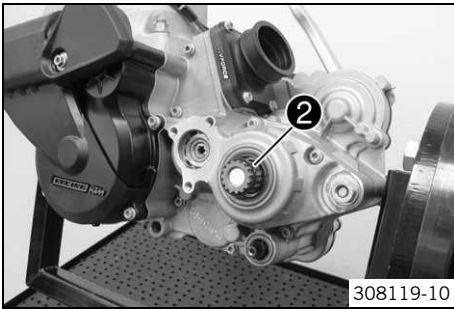


- Remove lock ring ①. Take off the engine sprocket.

18.3.6 Removing the spacer

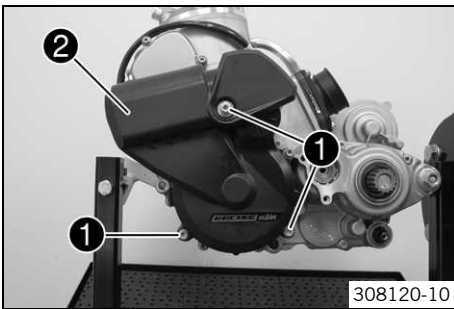


- Remove spacer ①.

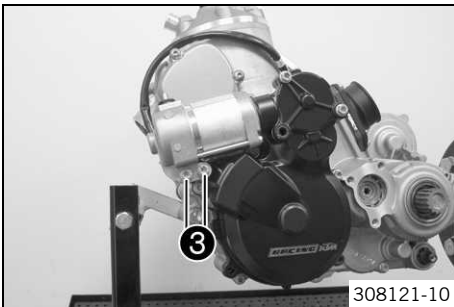


- Remove O-ring ②.

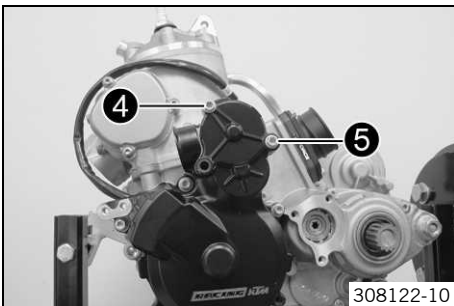
18.3.7 Removing the starter motor



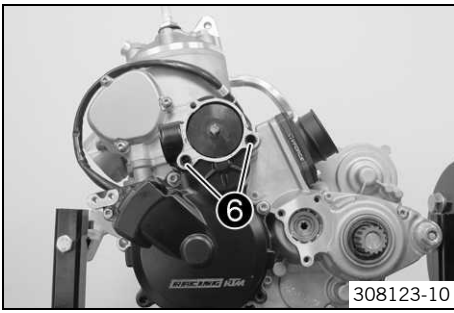
- Remove screws ①.
- Take off cover ②.



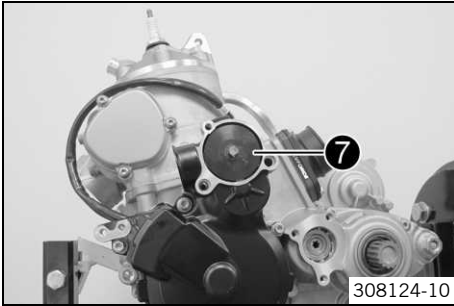
- Remove screws ③.
- Remove starter motor.



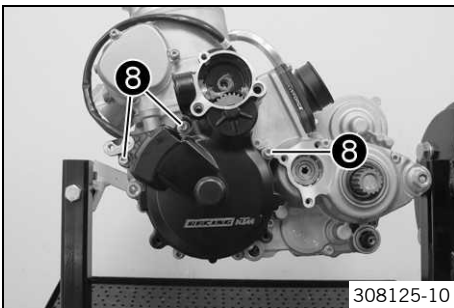
- Remove screws ④ and ⑤.
- Remove the cover.



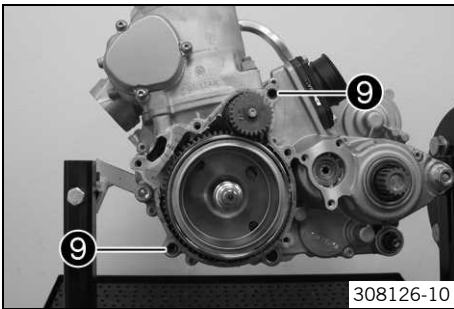
- Remove gasket and dowels ⑥.



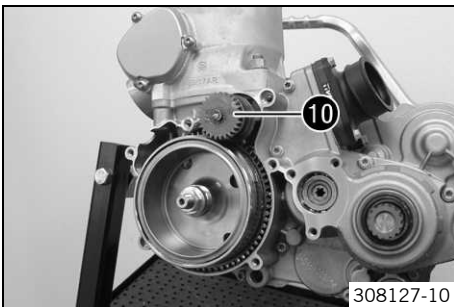
- Remove starter idler gear ⑦.



- Remove screws ⑧.
- Remove the alternator cover.

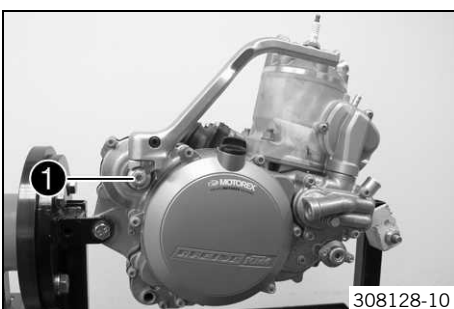


- Remove gasket and dowels ⑨.



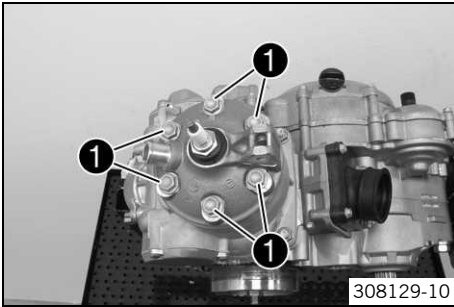
- Take off Bendix ⑩.

18.3.8 Removing the kick starter

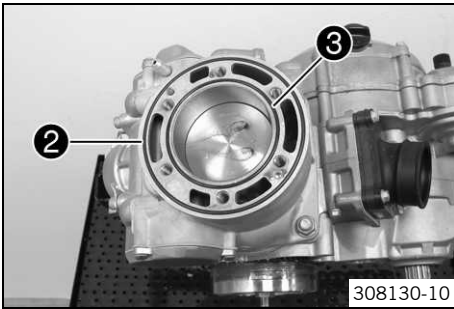


- Remove screw ① with the washer.
- Remove the kick starter.

18.3.9 Removing the cylinder head

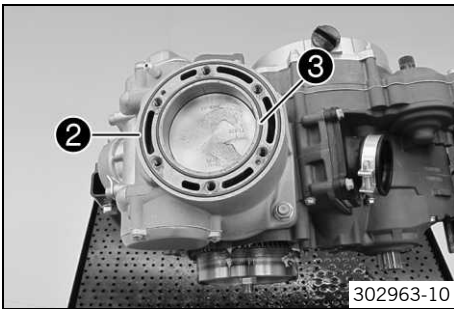


- Alternately loosen screws ❶ and remove them.
- Remove the cylinder head.



(All 250 models)

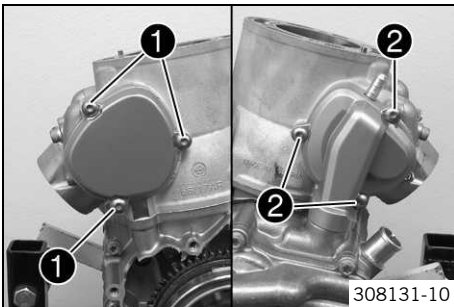
- Remove O-rings ❷ and ❸.



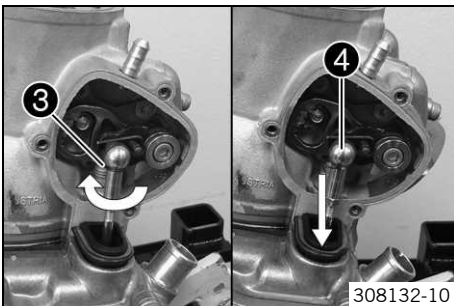
(All 300 models)

- Remove O-rings ❷ and ❸.

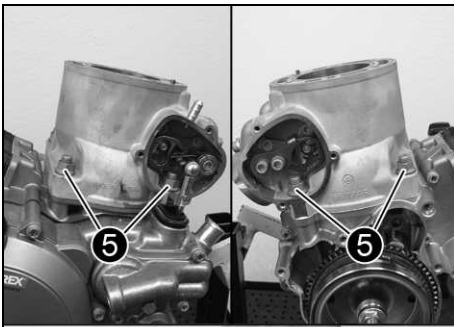
18.3.10 Removing the cylinder



- Remove screws ❶ and ❷.
- Take off both covers.



- Remove retainer ❸ of ball socket ❹.
- Pull off the ball socket.
- Remove the gaskets on both sides.



- Remove nuts ⑤.

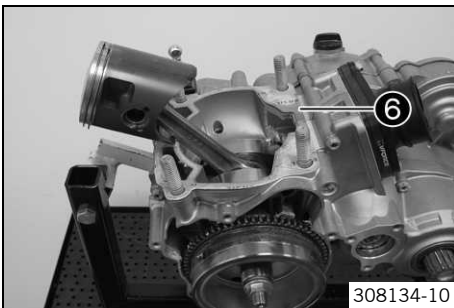


Info

Raise the cylinder slightly to be able to remove the front nuts.

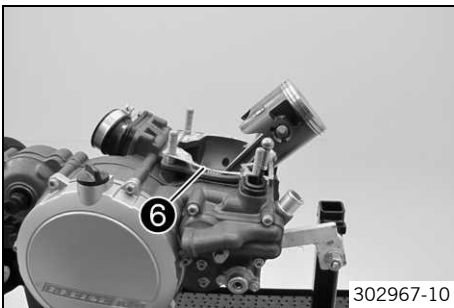


- Carefully slide the cylinder up and take it off.



(All 250 models)

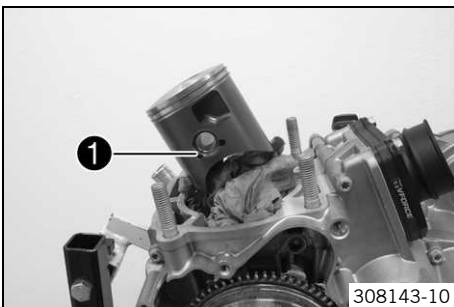
- Take off gasket ⑥.



(All 300 models)

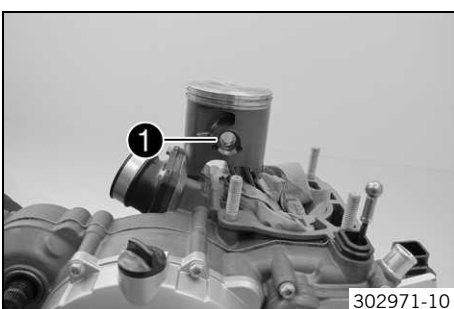
- Take off gasket ⑥.

18.3.11 Removing the piston



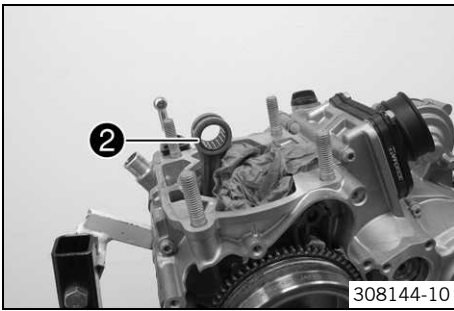
(All 250 models)

- Uncover the crankcase.
- Remove the piston pin retainer ①.
- Remove piston pin.
- Take off the piston.



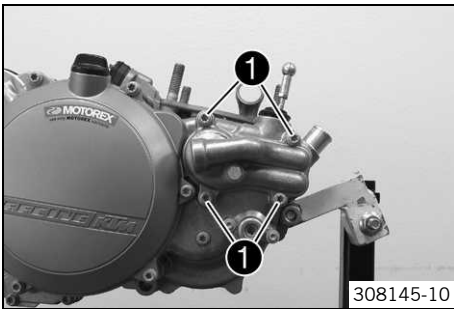
(All 300 models)

- Uncover the crankcase.
- Remove the piston pin retainer ①.
- Remove piston pin.
- Take off the piston.



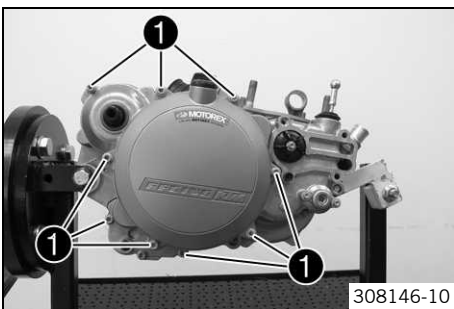
- Remove the upper conrod bearing ②.

18.3.12 Removing the water pump cover



- Remove screws ①.
- Take off the water pump cover.
- Remove the form ring.

18.3.13 Removing the clutch cover

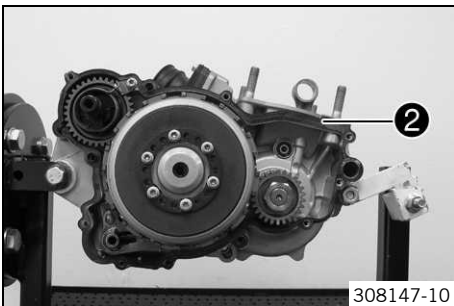


- Remove screws ①. Take off the clutch cover.



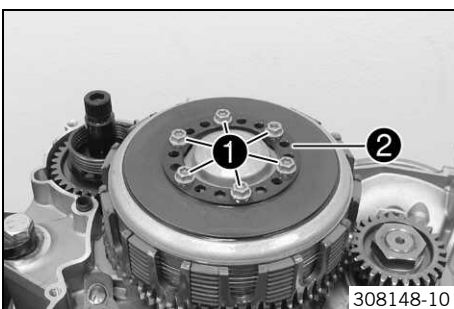
Info

Ensure that the kick starter shaft remains in the engine case.

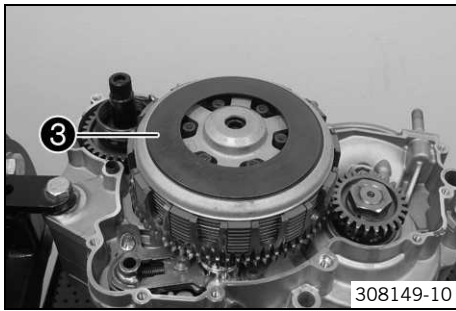


- Remove the dowels and clutch cover gasket ②.

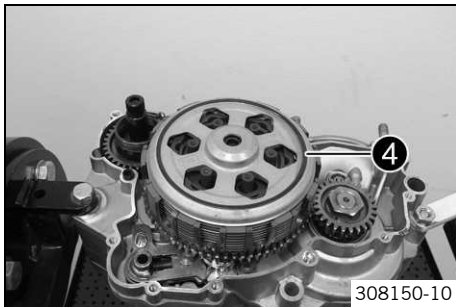
18.3.14 Removing the clutch discs



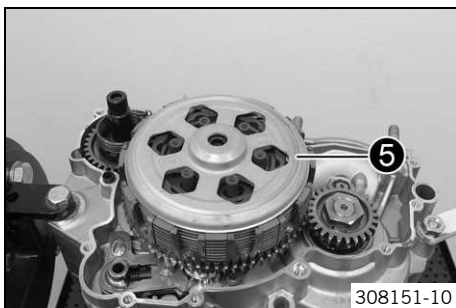
- Remove screws ①.
- Take off spring retainer ②.



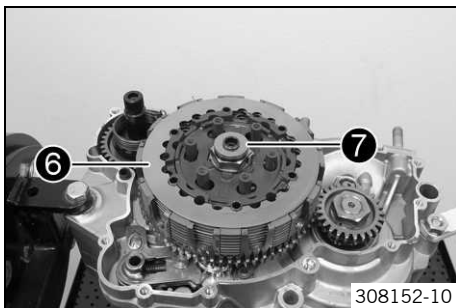
- Take off spring washer 3.



- Take off pretension ring 4.

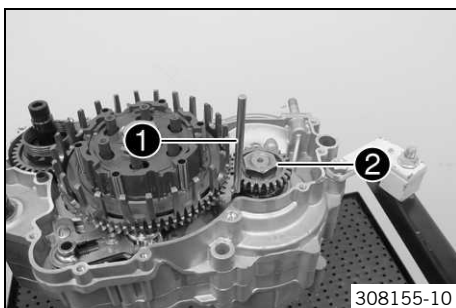


- Take off pressure cap 5.



- Remove clutch disc pack 6 entirely.
- Remove clutch pressure piece 7.

18.3.15 Removing the clutch basket

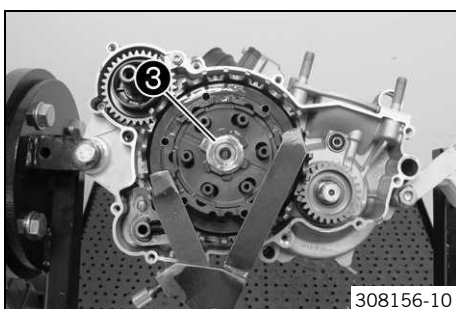


- Hold the primary gear using special tool 1.

Gear segment (56012004000) (☛ p. 274)

- Remove nut 2 with the washer.

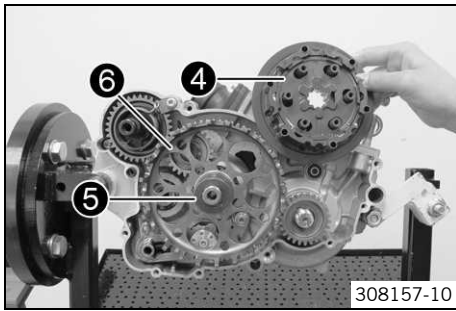
i Info
Left-handed thread!



- Bend up the lock washer.
- Hold the inner clutch hub with the special tool. Loosen nut 3.

Clutch holder (51129003000) (☛ p. 273)

- Remove the nut with the lock washer.



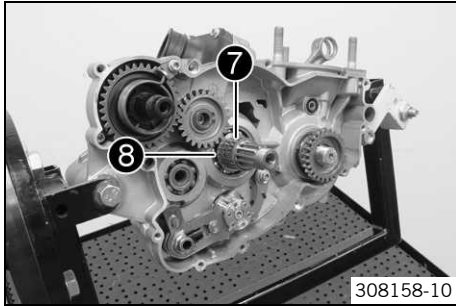
- Take off inner clutch hub ④ and washer ⑤.



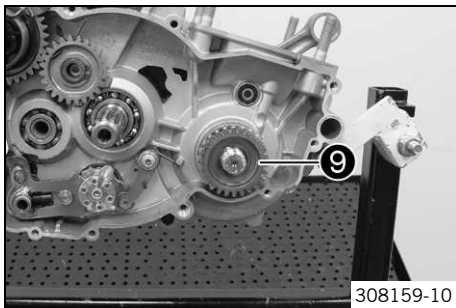
Info

The washer usually sticks to the inner clutch hub.

- Take off clutch basket ⑥.

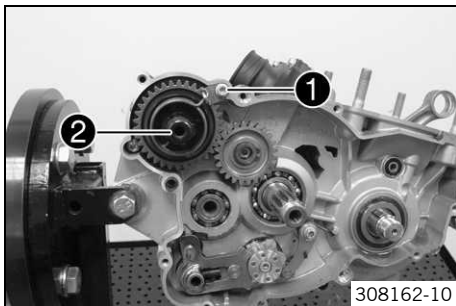


- Take off needle bearing ⑦ and collar bushing ⑧.



- Take off primary gear ⑨.
- Remove the distance sleeve.

18.3.16 Removing the kick starter shaft



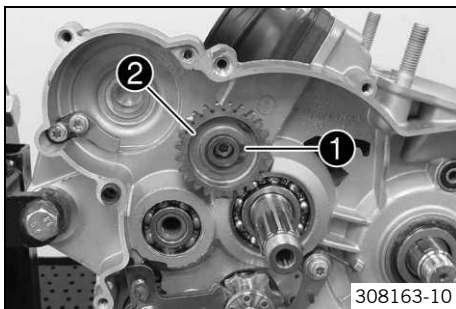
- Remove screw ①.
- Remove kick starter shaft ② with the washer.



Info

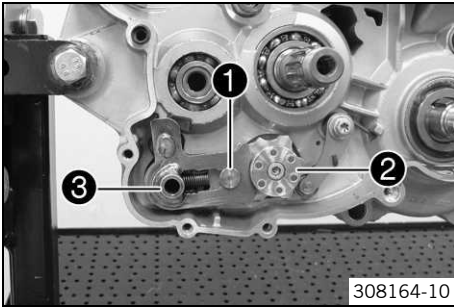
Turn the kick starter shaft slightly to the left.

18.3.17 Removing the intermediate kick starter gear



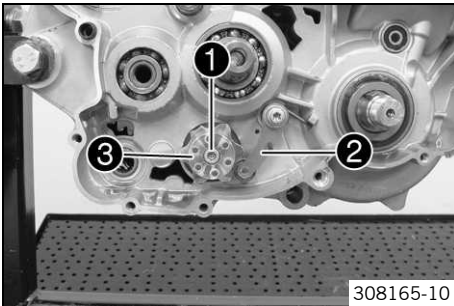
- Remove lock ring ①.
- Take off intermediate kick starter gear ② with the washer.

18.3.18 Removing the shift shaft



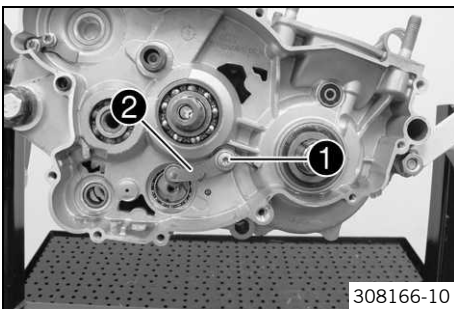
- Push sliding plate ① away from the shift drum locating unit ②. Remove shift shaft ③ with the washer.

18.3.19 Removing the shift drum locating unit



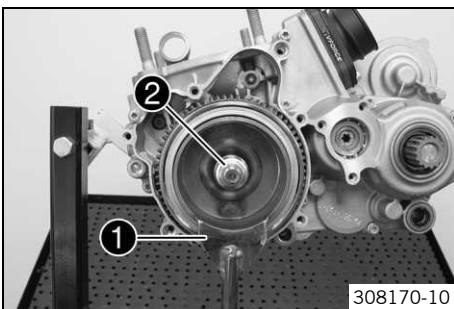
- Remove screw ①.
- Push away locking lever ② from shift drum locating unit ③ and remove the shift drum locating unit.
- Relieve tension from the locking lever.

18.3.20 Removing the locking lever



- Remove screw ①.
- Take off locking lever ② with the sleeve and spring.

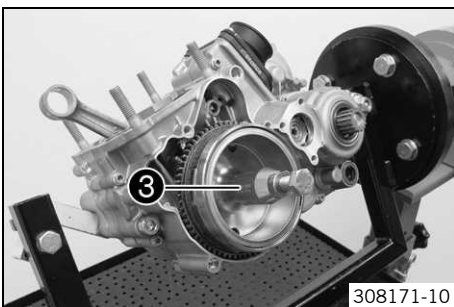
18.3.21 Removing the rotor



- Hold the rotor with special tool ①.

Holding spanner, rotor (55129001000) (☛ p. 274)

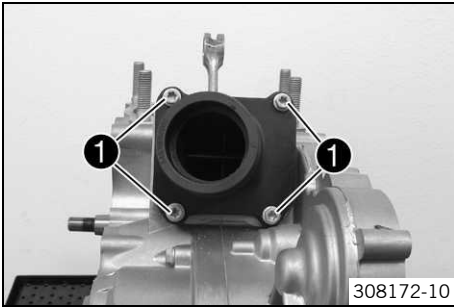
- Remove nut ② and the washer.



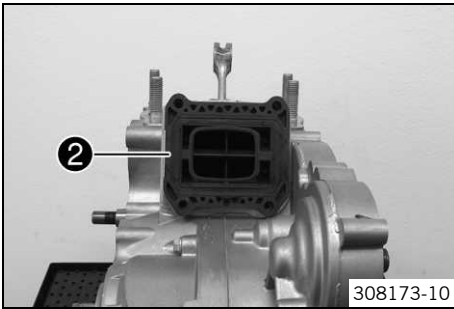
- Mount special tool ③, apply counterpressure, and pull off the rotor by screwing in the screw.

Extractor (58012009000) (☛ p. 274)

18.3.22 Removing the reed valve housing

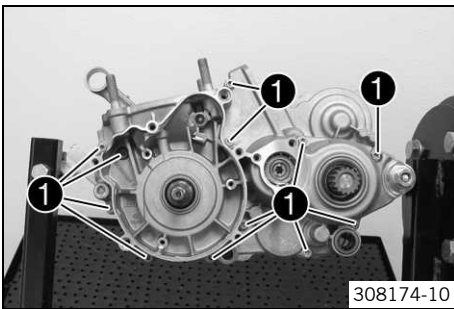


- Remove screws ❶.
- Take off the intake flange.



- Remove reed valve housing ❷.
- Take off the gasket.

18.3.23 Removing the left engine case section

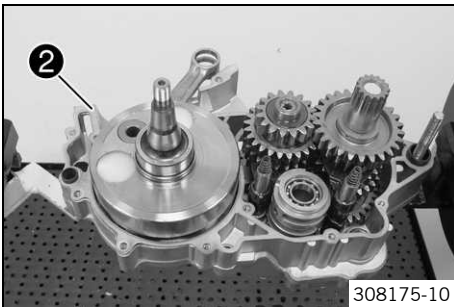


- Remove screws ❶.
- Tilt the left section of the engine case upward and remove the screw connections of the engine fixing arm.
- Loosen the left section of the engine case by striking it lightly with a plastic hammer and remove it.



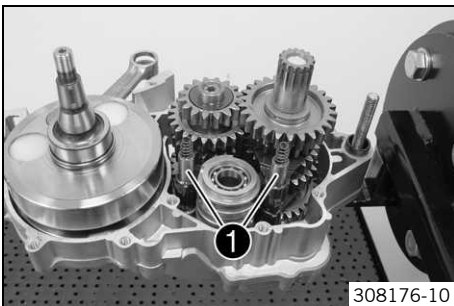
Info

Do not pry it apart with screwdrivers since the sealing areas are easily damaged.



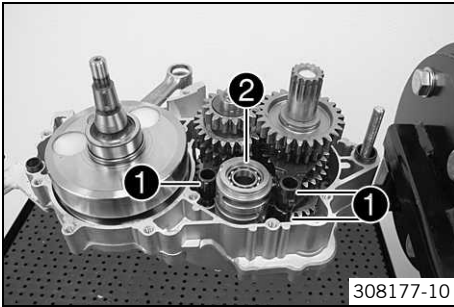
- Remove engine case gasket ❷.

18.3.24 Removing the shift rails



- Remove shift rails ❶ with the springs.

18.3.25 Removing the shift drum

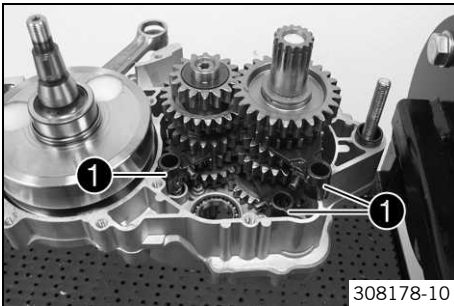


- Tilt shift forks ① to the side.

i Info
Do not misplace the shift rollers.

- Remove shift drum ②.

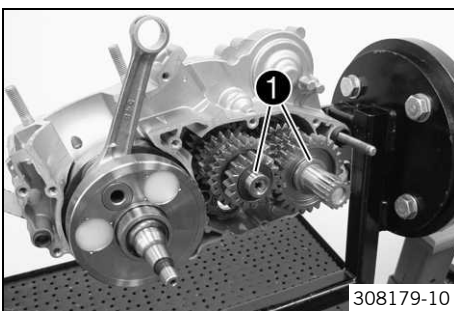
18.3.26 Removing the shift forks



- Remove shift forks ①.

i Info
Do not misplace the shift rollers.

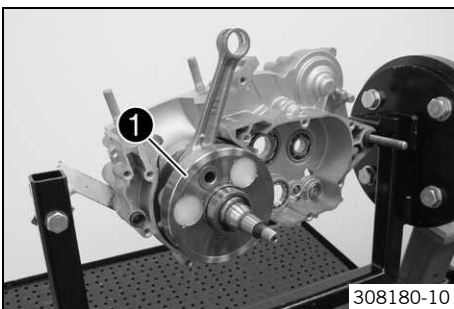
18.3.27 Removing the transmission shafts



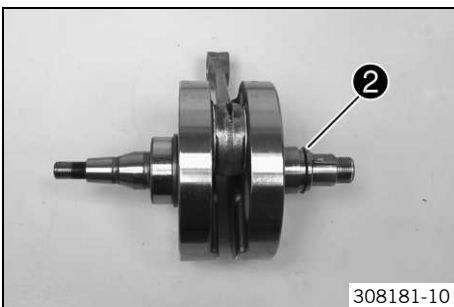
- Pull both transmission shafts ① out of the bearing seats together.

i Info
The stop disks of the transmission shafts usually stick to the bearings.

18.3.28 Removing the crankshaft



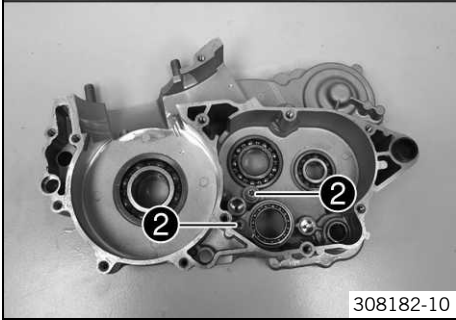
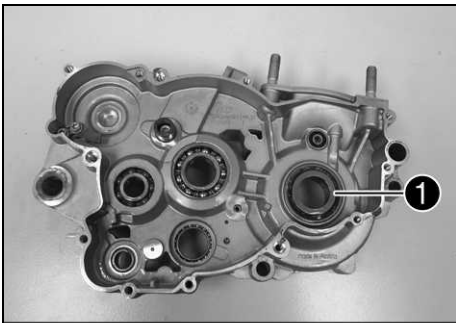
- Take out crankshaft ①.



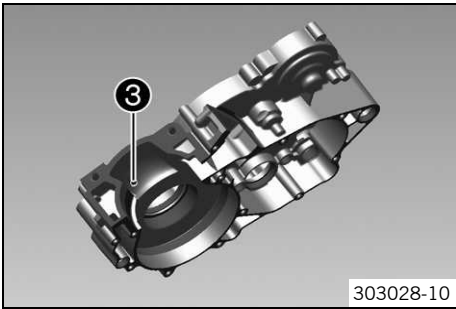
- Remove O-ring ②.

18.4 Work on individual parts

18.4.1 Work on the right section of the engine case



308182-10



303028-10

- Remove all dowels.
- Remove shaft seal ring ① of the crankshaft.
- Remove screws ②. Remove the bearing retainers.
- Clean the engine case section thoroughly.
- Warm the engine case section in an oven.

Guideline

150 °C (302 °F)

- Knock the engine case section against a level wooden plate. This will cause the bearings to drop out of the bearing seats.

i **Info**

Any bearings that remain in the engine case section must be removed using a suitable tool.

- Blow out lubrication bore ③ with compressed air and check that it is clear.
- Insert the new cold bearings in the bearing seats of the heated section of the engine case; if necessary, use a suitable press drift to push them all the way in and make them flush.

i **Info**

When pressing the bearing in, ensure that the engine case section is level to prevent damage.
Only press the bearings in via the outer ring; otherwise, the bearings will be damaged when they are pressed in.

- After the engine case section has cooled, check that the bearings are firmly seated.

i **Info**

If the bearings are not firmly seated after cooling, it is likely that they will rotate in the engine case when warm. In this case, the engine case must be renewed.

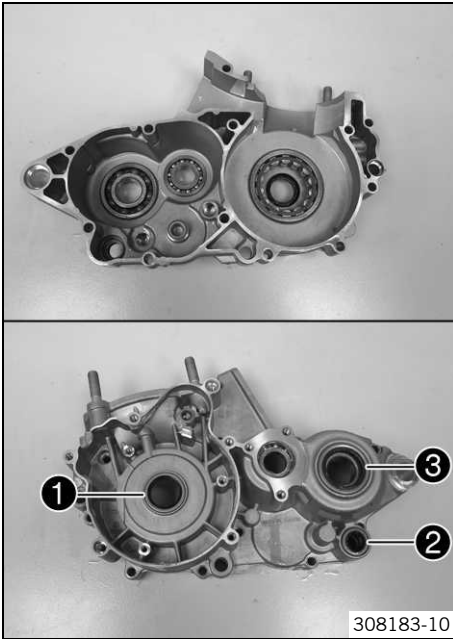
- Press in shaft seal ring ① of the crankshaft so it is flush with the open side facing in.
- Mount and tighten screws ② with the bearing retainers.

Guideline

Screw, bearing retainer	M6	10 Nm (7.4 lbf ft)	Loctite® 243™
-------------------------	----	-----------------------	---------------

- Mount the dowels.

18.4.2 Work on the left section of the engine case



- Remove all dowels.
- Remove shaft seal ring ① of the crankshaft, ② shift shaft and ③ countershaft.
- Clean the engine case section thoroughly.
- Warm the engine case section in an oven.

Guideline

150 °C (302 °F)

- Knock the engine case section against a level wooden plate. This will cause the bearings to drop out of the bearing seats.

i **Info**

Any bearings that remain in the engine case section must be removed using a suitable tool.

- Insert the new cold bearings in the bearing seats of the heated section of the engine case; if necessary, use a suitable press drift to push them all the way in and make them flush.

i **Info**

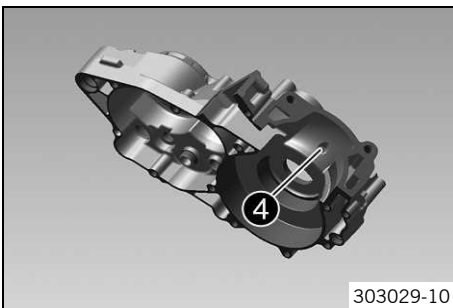
When pressing the bearing in, ensure that the engine case section is level to prevent damage.
Only press the bearings in via the outer ring; otherwise, the bearings will be damaged when they are pressed in.

- After the engine case section has cooled, check that the bearings are firmly seated.

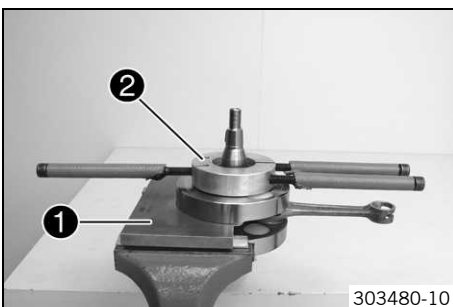
i **Info**

If the bearings are not firmly seated after cooling, it is likely that they will rotate in the engine case when warm. In this case, the engine case must be renewed.

- Press in shaft seal ring ① of the crankshaft so it is flush with the open side facing in.
- Press in shaft seal ring ② of the shift shaft so it is flush with the open side facing in.
- Press in shaft seal ring ③ of the countershaft so it is flush with the open side facing in.
- Blow out lubrication bore ④ with compressed air and check that it is clear.
- Mount the dowels.



18.4.3 Removing the crankshaft bearing inner race



- Fixate the crankshaft in the vice with special tool ①.

Separator plate (54829009000) (☛ p. 273)

i **Info**

Use soft jaws.

- Warm up special tool ②.

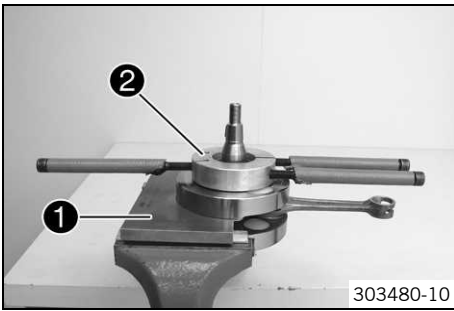
Guideline

150 °C (302 °F)

Tool for inner bearing race (58429037040) (☛ p. 275)

- Push the warmed up special tool ② onto the crankshaft bearing inner race, press firmly together and pull jointly from the crankshaft.

18.4.4 Installing the crankshaft bearing inner race



- Fixate the crankshaft in the vice with special tool ①.

Separator plate (54829009000) (☛ p. 273)

i Info
Use soft jaws.

- Heat the crankshaft bearing inner race in special tool ② and mount together.

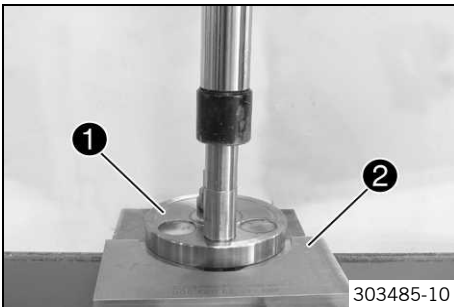
Guideline

120 °C (248 °F)

Tool for inner bearing race (58429037040) (☛ p. 275)

- Ensure that the new crankshaft bearing inner race is flush.

18.4.5 Changing the connecting rod, conrod bearing, and crank pin



Main work

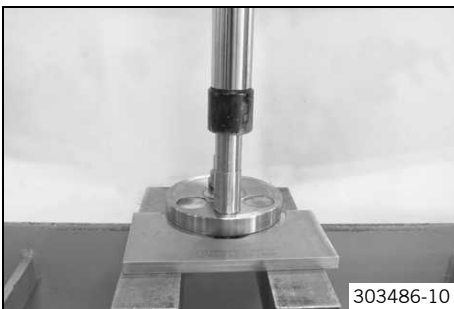
- Position crankshaft ① in the press using special tool ②.

Separator plate (54829009000) (☛ p. 273)

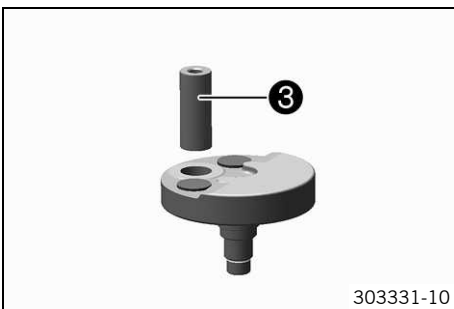
- Press the crank pin out of the upper crank web with a suitable tool.

i Info
Hold the lower crank web.

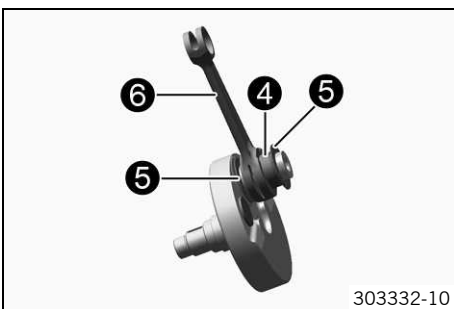
- Remove the connecting rod and bearing.



- Press the crank pin out of the lower crank web.

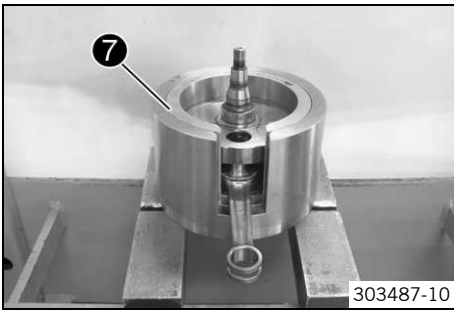


- Press in the new crank pin ③ as far as possible.



- Mount new bearing ④ with washers ⑤ and connecting rod ⑥.

i Info
Thoroughly oil the bearing.

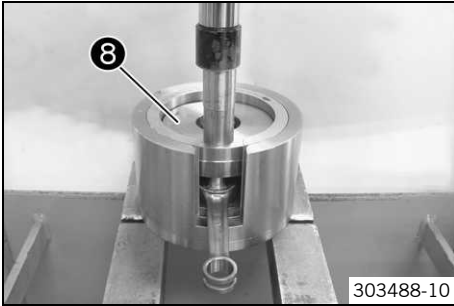


- Position special tool 7 on the press.

Pressing device for crankshaft, complete (75029047000) (☛ p. 276)

Insert for crankshaft pressing tool (54829108000) (☛ p. 274)

- Insert the crank web with connecting rod and bearing. Position the second crank web.



- Position special tool 8 with the heel pointing down.

Insert for crankshaft pressing tool (54829108000) (☛ p. 274)

- Press in the upper crank web as far as possible.

i Info

The press mandrel must be positioned over the crank pin.

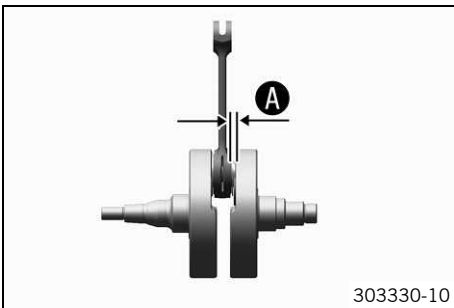
- Take the crankshaft out of the special tool and check that the connecting rod can move freely.

- Measure axial play A between the connecting rod and the crank webs using the special tool.

Feeler gauge (59029041100) (☛ p. 275)

Connecting rod - axial play of lower conrod bearing	0.60... 0.70 mm (0.0236... 0.0276 in)
---	---------------------------------------

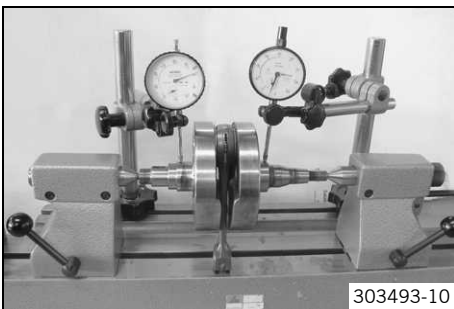
- » If the specification is not reached:
 - Correct it so the dimension is equal to the specified value.



Finishing work

- Check the crankshaft run-out at the bearing pin. (☛ p. 147)

18.4.6 Checking the crankshaft run-out at the bearing pin

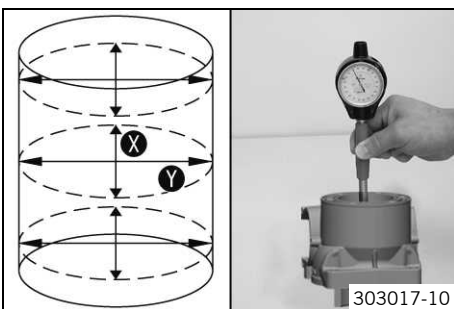


- Position the crankshaft on a roller block.
- Turn the crankshaft slowly.
- Check the crankshaft run-out on both bearing pins.

Crankshaft - run-out at bearing pin ≤ 0.03 mm (≤ 0.0012 in)

- » If the crankshaft run-out at the bearing pin is larger than the specification:
 - Align the crankshaft.

18.4.7 Checking/measuring the cylinder



- Check the cylinder bearing surface for damage.
 - » If the cylinder bearing surface is damaged:
 - Change the cylinder and piston.
- Measure the cylinder diameter at several locations on the X- and Y-axes using a micrometer to identify oval wear.

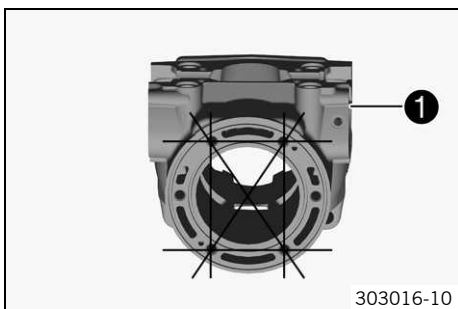
Guideline

Cylinder - drill hole diameter (All 250 models)	
Size I	66.400... 66.412 mm (2.61417... 2.61464 in)
Size II	66.412... 66.425 mm (2.61464... 2.61515 in)
Cylinder - drill hole diameter (All 300 models)	
Size I	72.000... 72.012 mm (2.83464... 2.83511 in)
Size II	72.012... 72.025 mm (2.83511... 2.83562 in)



Info

The cylinder size ❶ is labeled on the right side of the cylinder.



- Using a straightedge and the special tool, check the sealing area of the cylinder head for distortion.

Feeler gauge (59029041100) (☞ p. 275)

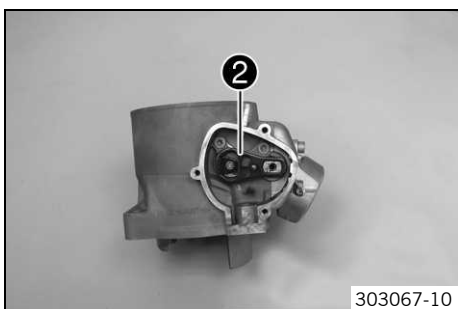
Cylinder/cylinder head - distortion of sealing area	≤ 0.10 mm (≤ 0.0039 in)
---	-------------------------

- » If the measured value does not meet specifications:
 - Change the cylinder.

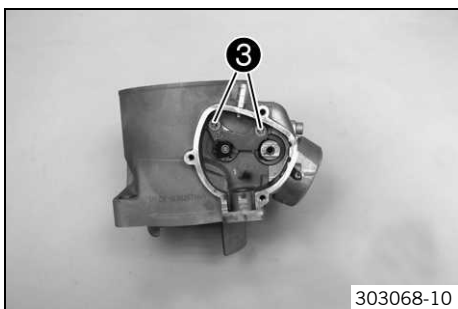
18.4.8 Removing the exhaust control



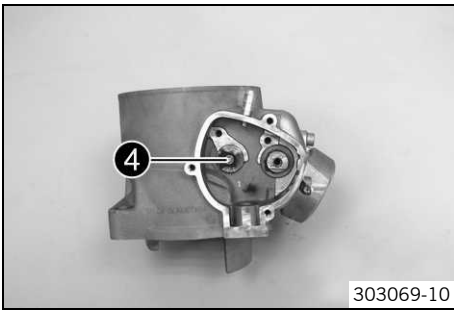
- Remove screw ❶ with the bushing and spring.



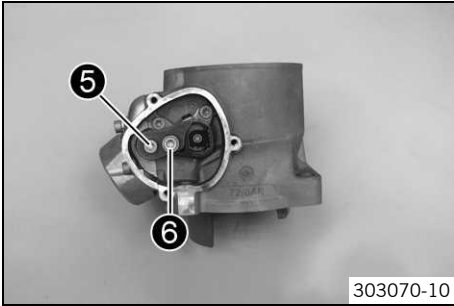
- Take off gear segment ❷.



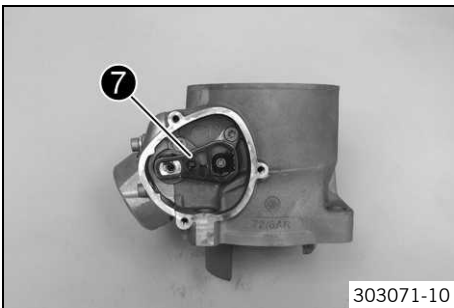
- Remove screws ❸.
- Remove the retaining bracket.



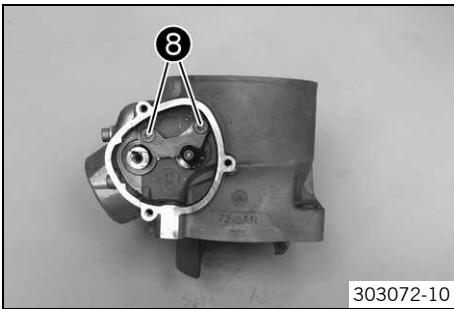
- Remove control shaft 4.



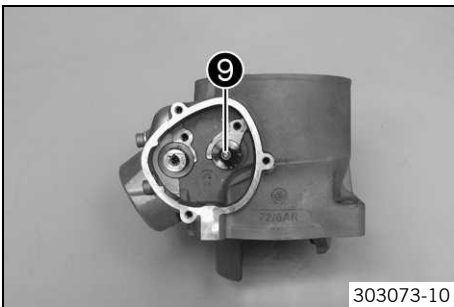
- Remove screw 5.
- Remove screw 6 with the washer.
- Take off the stop plate.



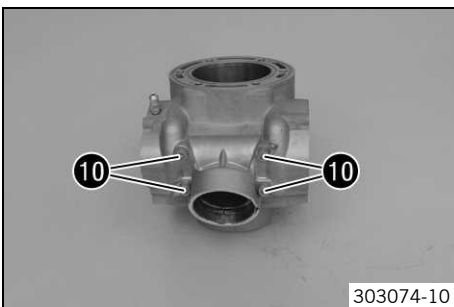
- Take off gear segment 7.



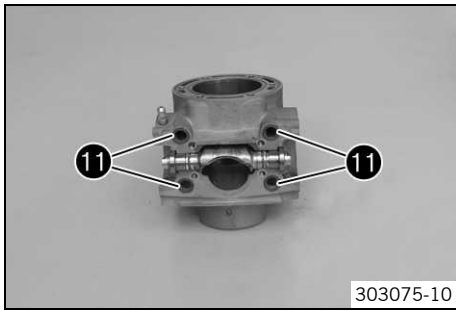
- Remove screws 8.
- Take off the retaining bracket.



- Remove control shaft 9.

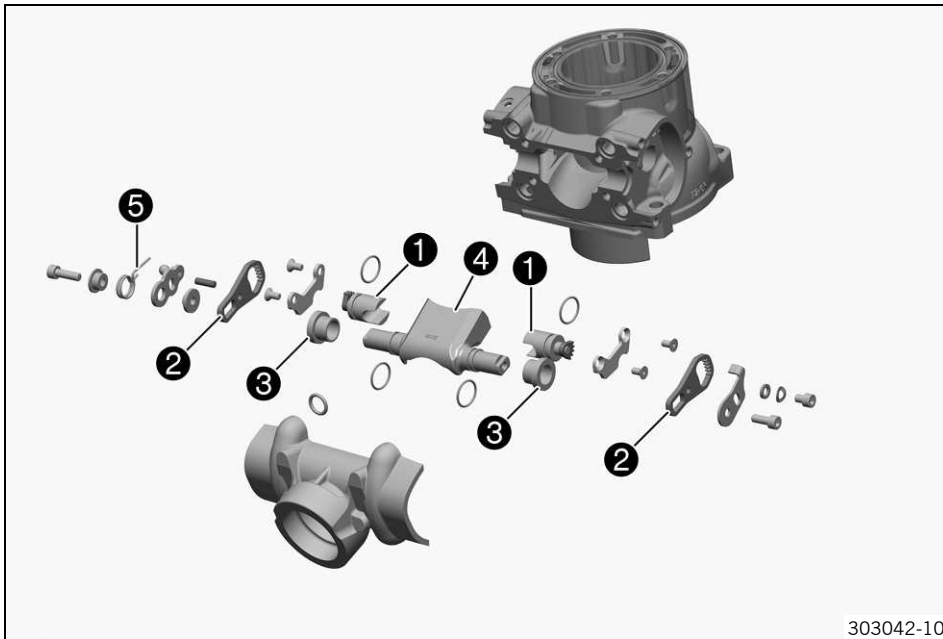


- Remove screws 10.
- Take off the exhaust flange.



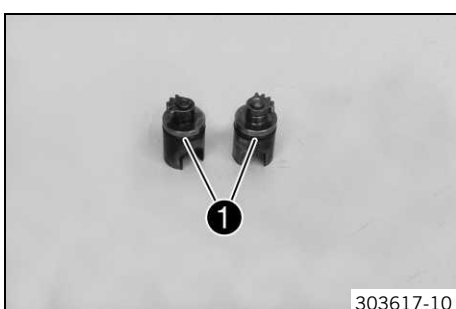
- Remove O-rings ①.
- Take off the control flap.

18.4.9 Checking the exhaust control



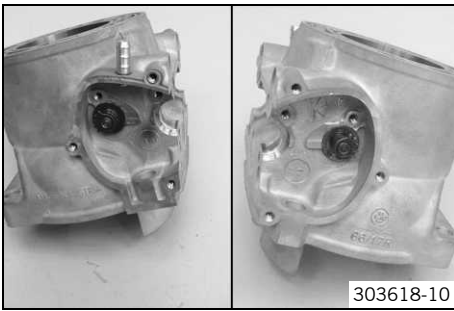
- Check control shafts ① for damage and wear.
 - » If there is damage or wear:
 - Change the control shaft.
- Check gear segments ② for damage and wear.
 - » If there is damage or wear:
 - Change the gear segments.
- Check bearing sleeves ③ for damage and wear.
 - » If there is damage or wear:
 - Change the bearing sleeves.
- Check control flap ④ for damage and wear.
 - » If there is damage or wear:
 - Change the control flap.
- Check control springs ⑤ for damage and wear.
 - » If there is damage or wear:
 - Change the spring.

18.4.10 Installing the exhaust control

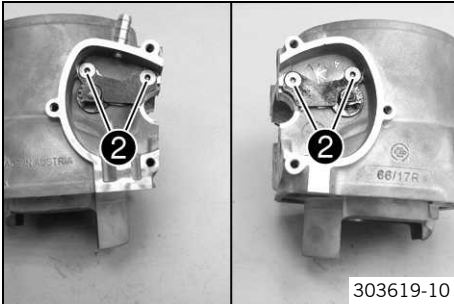


- Mount and grease O-rings ①.

Long-life grease (☛ p. 270)



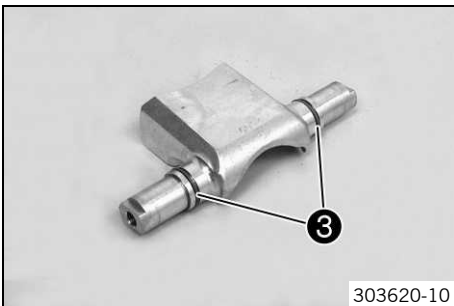
- Mount the control shafts.



- Mount the retaining brackets.
- Mount and tighten screws 2.

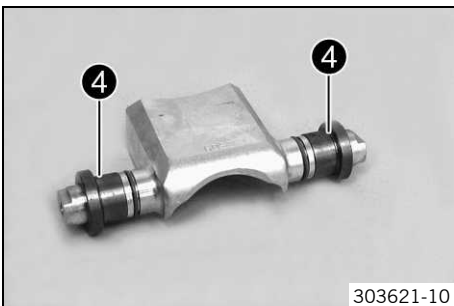
Guideline

Screw, retaining bracket of exhaust control	M5	7 Nm (5.2 lbf ft)	Loctite® 243™
---	----	----------------------	---------------



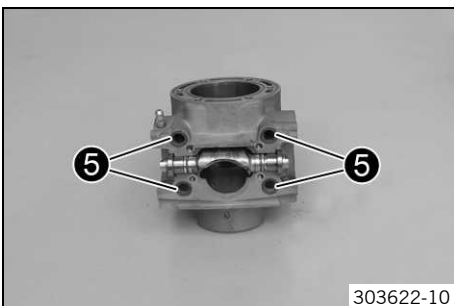
- Mount and grease O-rings 3.

Long-life grease (☛ p. 270)

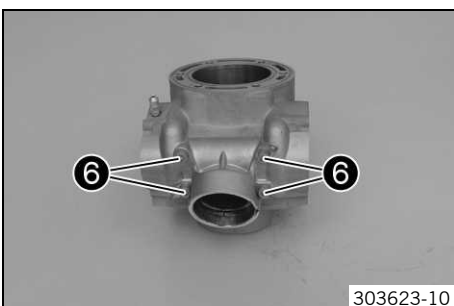


- Mount and grease bearing sleeves 4.

Long-life grease (☛ p. 270)



- Position the control flap.
- Mount O-rings 5.



- Degrease the sealing area and coat thinly with sealant.

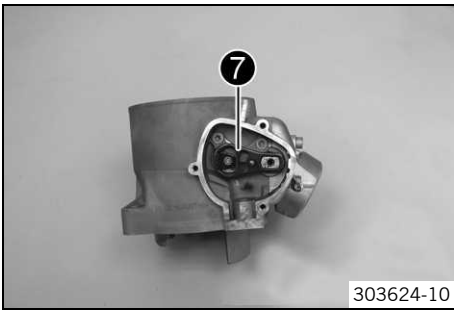
Loctite® 5910

- Position the exhaust flange.
- Mount and tighten screws 6.

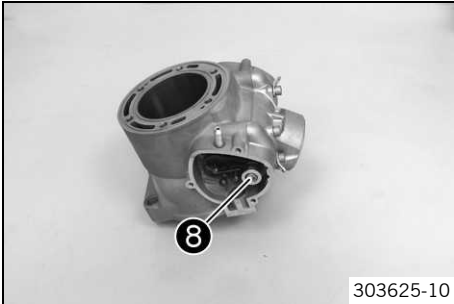
Guideline

Screw, exhaust flange	M6	8 Nm (5.9 lbf ft)
-----------------------	----	-------------------

i Info
Do not forget the spring hangers.



- Position gear segment 7.



- Position the spring with the short leg toward the outside.
- Mount screw 8 with the bushing and spring but do not tighten yet.

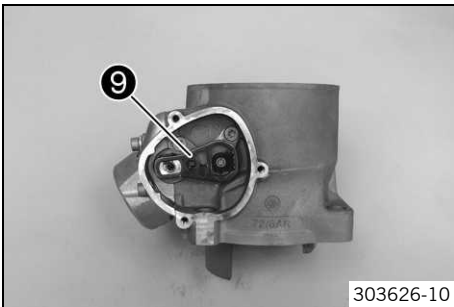
Guideline

Screw, control flap, exhaust control	M6	10 Nm (7.4 lbf ft)	Loctite® 243™
--------------------------------------	----	-----------------------	---------------

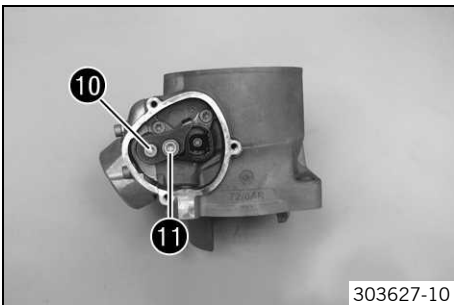
- Attach the spring to the cylinder pin.
- Tighten screw.

Guideline

Screw, control flap, exhaust control	M6	10 Nm (7.4 lbf ft)	Loctite® 243™
--------------------------------------	----	-----------------------	---------------



- Position gear segment 9.



- Position the stop plate.
- Mount screw 10 but do not tighten yet.
- Mount screw 11 with the washer but do not tighten yet.



Info

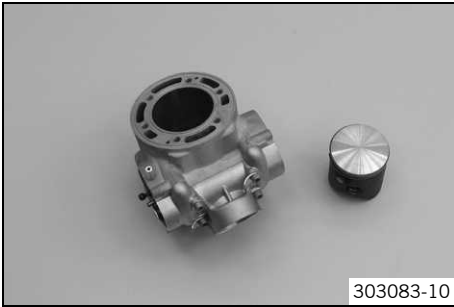
The screws are tightened when the Z-distance is adjusted.

18.4.11 Cylinder - Nikasil® coating



Nikasil® is a surface protection layer for a coating procedure developed by Mahle. The name is derived from the two materials used in this procedure - a layer of nickel into which is embedded the particularly hard silicone carbide. The most important advantages of the **Nikasil®** coating are very good heat conductivity, resulting in much improved performance, low wear, and a lightweight cylinder.

18.4.12 Checking/measuring the piston



(All 250 models)

- Check the piston sliding surface for damage.
 - » If the piston sliding surface is damaged:
 - Replace the piston and, if necessary, the cylinder.
- Check that the piston rings move easily in the piston ring grooves.
 - » If the piston ring is stiff:
 - Clean the piston ring groove.

i Tip
An old piston ring can be used to clean the piston ring groove.

- Check the piston rings for damage.
 - » If the piston ring is damaged:
 - Change the piston ring.

i Info
Mount the piston ring with the marking facing upward.

- Check the piston pins for discoloration or signs of wear.
 - » If the piston pin shows severe discoloration/signs of wear:
 - Change the piston pin.
- Place the piston pin in the connecting rod and check the seating for play.
 - » If the piston pin seating has excessive play:
 - Change the connecting rod and piston pin.



(All 300 models)

- Check the piston sliding surface for damage.
 - » If the piston sliding surface is damaged:
 - Replace the piston and, if necessary, the cylinder.
- Check that the piston rings move easily in the piston ring grooves.
 - » If the piston ring is stiff:
 - Clean the piston ring groove.

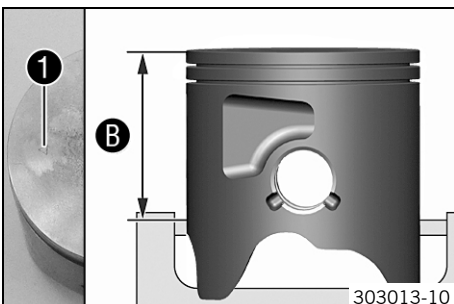
i Tip
An old piston ring can be used to clean the piston ring groove.

- Check the piston rings for damage.
 - » If the piston ring is damaged:
 - Change the piston ring.

i Info
Mount the piston ring with the marking facing upward.

- Check the piston pins for discoloration or signs of wear.
 - » If the piston pin shows severe discoloration/signs of wear:
 - Change the piston pin.
- Place the piston pin in the connecting rod and check the seating for play.
 - » If the piston pin seating has excessive play:
 - Change the connecting rod and piston pin.

- Measure the piston at the piston skirt, at right angles to the piston pin, at a distance **B**.



Guideline

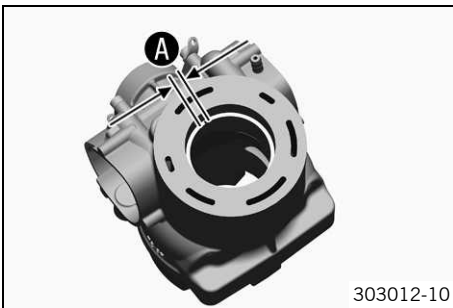
Distance B	50 mm (1.97 in)
Piston - diameter (All 250 models)	
Size I	66.340... 66.350 mm (2.61181... 2.6122 in)
Size II	66.351... 66.360 mm (2.61224... 2.61259 in)
Piston - diameter (All 300 models)	
Size I	71.940... 71.950 mm (2.83228... 2.83267 in)
Size II	71.951... 71.960 mm (2.83271... 2.83307 in)



Info

Piston dimensions **B** are marked on the piston head.

18.4.13 Checking the piston ring end gap



- Remove the piston ring from the piston.
- Place the piston ring in the cylinder and align with the piston.

Guideline

Below the upper edge of the cylinder	20 mm (0.79 in)
--------------------------------------	-----------------

- Measure end gap **A** with a feeler gauge.

Guideline

Piston ring - end gap	
Ring 1	≤ 0.40 mm (≤ 0.0157 in)
Ring 2	≤ 0.40 mm (≤ 0.0157 in)

- » If the end gap is greater than the specified measurement:
 - Check/measure the cylinder. (☛ p. 147)
- » If cylinder wear lies within the specified tolerance:
 - Change the piston ring.
- Mount the piston ring with the marking facing toward the piston head.

18.4.14 Piston/cylinder - measuring the mounting clearance



(All 250 models)

- Check/measure the cylinder. (☛ p. 147)
- Check/measure the piston. (☛ p. 153)
- The smallest piston/cylinder mounting clearance equals the smallest cylinder bore diameter minus the largest piston diameter. The largest piston/cylinder mounting clearance equals the largest cylinder bore diameter minus the smallest piston diameter.

Guideline

Piston/cylinder - mounting clearance	
New condition	0.050... 0.074 mm (0.00197... 0.00291 in)
Piston/cylinder - mounting clearance	
Wear limit	0.10 mm (0.0039 in)

(All 300 models)

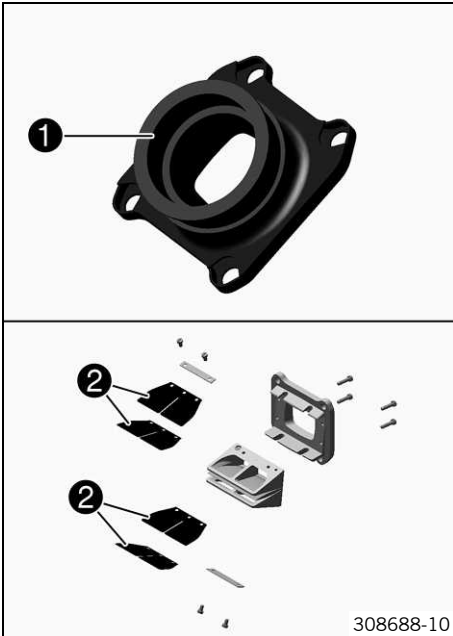
- Check/measure the cylinder. (☛ p. 147)
- Check/measure the piston. (☛ p. 153)
- The smallest piston/cylinder mounting clearance equals the smallest cylinder bore diameter minus the largest piston diameter. The largest piston/cylinder mounting clearance equals the largest cylinder bore diameter minus the smallest piston diameter.



Guideline

Piston/cylinder - mounting clearance	
New condition	0.050... 0.085 mm (0.00197... 0.00335 in)
Piston/cylinder - mounting clearance	
Wear limit	0.10 mm (0.0039 in)

18.4.15 Checking the reed valve housing, reed valve, and intake flange



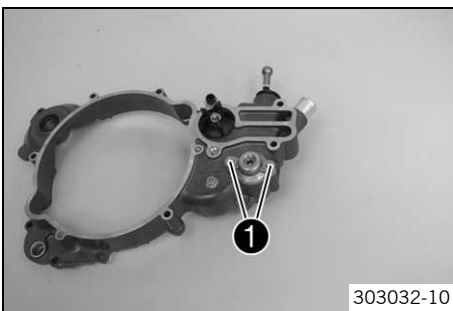
- Check intake flange ❶ for damage and wear.
 - » If there is damage or wear:
 - Change the intake flange.
- Check membrane ❷ for damage and wear.
 - » If there is damage or wear:
 - Change the membrane.
- Check reed valve housing for damage and wear.
 - » If there is damage or wear:
 - Change the reed valve housing.

18.4.16 Work on the clutch cover

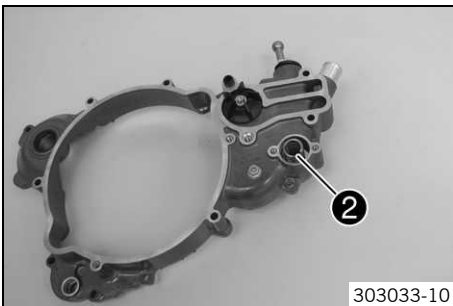


Info

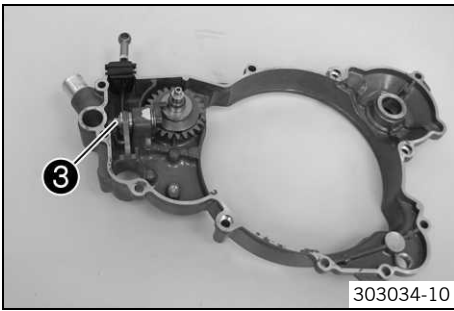
Remove the outer clutch cover to avoid damage.



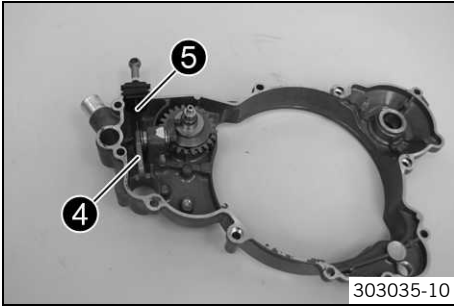
- Remove screws ❶.
- Remove the locking cap.



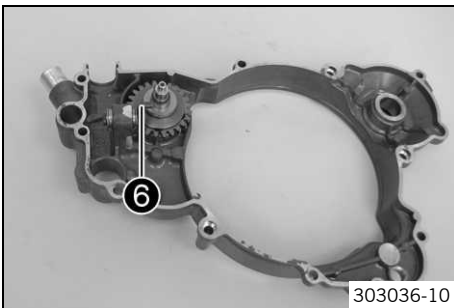
- Remove adjusting spring ❷, the auxiliary spring, and the spring insert.



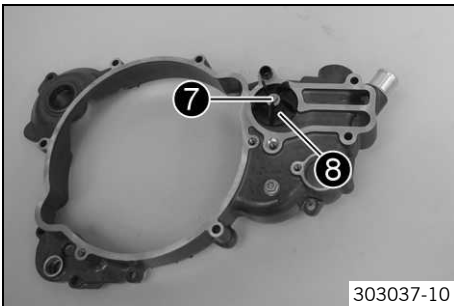
- Remove screw 3 with the washer.



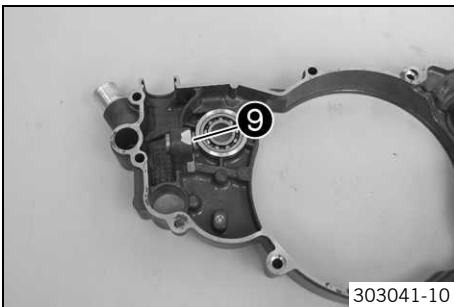
- Take off angle lever 4.
- Remove linkage 5.



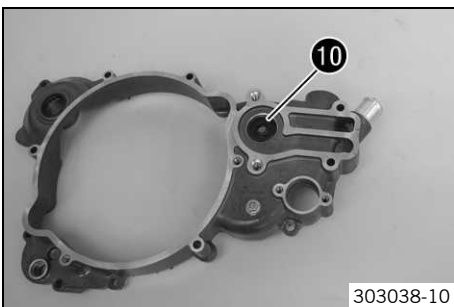
- Remove adjusting lever 6 with the washers.



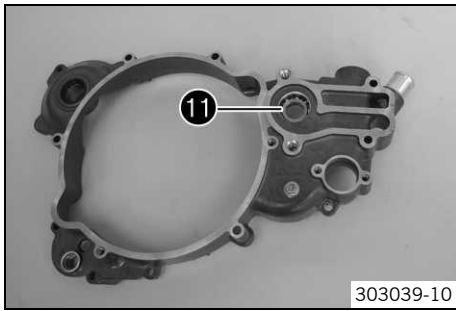
- Remove screw 7.
- Take off water pump impeller 8.
- Remove the centrifugal timer.



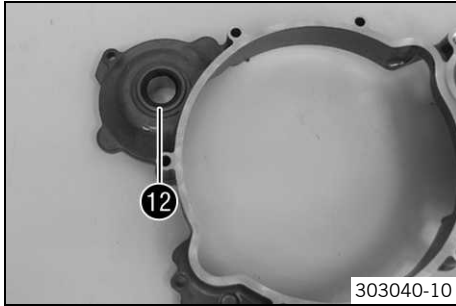
- Press out both needle bearings 9.



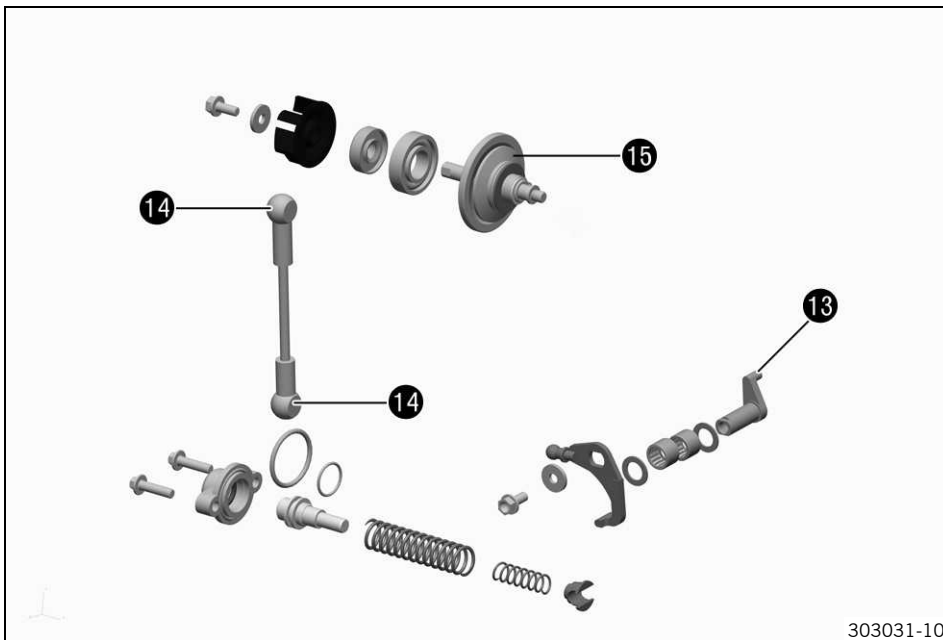
- Remove shaft seal ring 10.



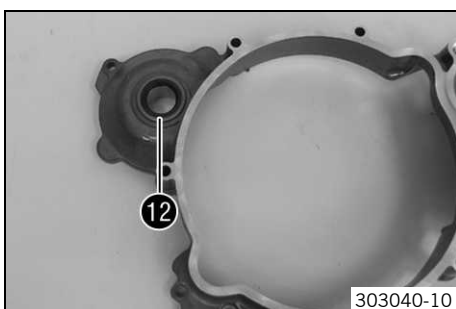
– Press out bearing **11** toward the inside.



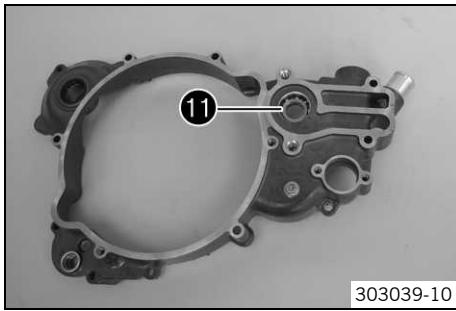
– Remove shaft seal ring **12**.



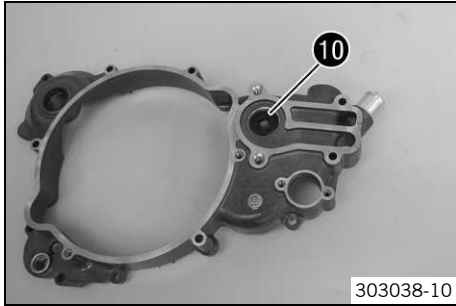
- Check pin **13** of the adjusting lever for damage and wear.
 - » If there is damage or wear:
 - Change the adjusting lever.
- Check ball heads **14** of the linkage for damage and wear.
 - » If there is damage or wear:
 - Change the linkage.
- Check centrifugal timer **15** for damage and wear.
 - » If there is damage or wear:
 - Change the centrifugal timer.



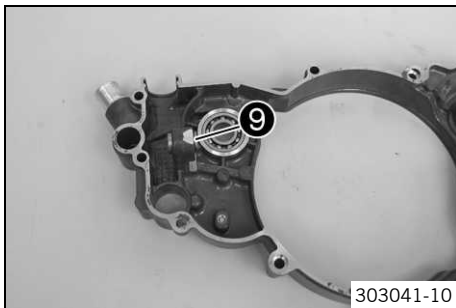
– Press shaft seal ring **12** all the way in.



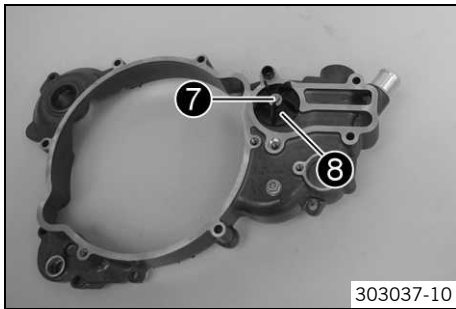
- Press bearing 11 all the way in to the stop from the inside.



- Press shaft seal ring 10 so it is flush.
- Ensure that the bearing can turn freely and does not touch the shaft seal ring.



- Press in both needle bearings 9.

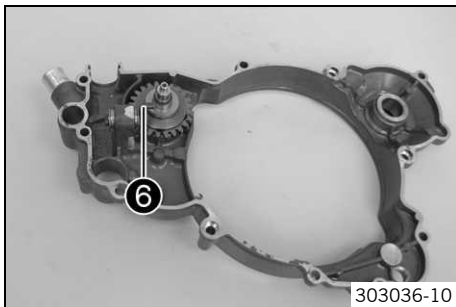


- Mount the centrifugal timer.
- Position water pump impeller 8.
- Mount and tighten screw 7.

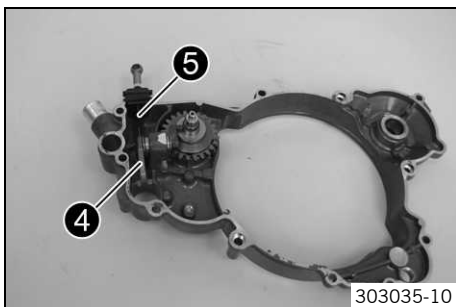
Guideline

Screw, water pump wheel	M5	6 Nm (4.4 lbf ft)	Loctite® 243™
-------------------------	----	----------------------	---------------

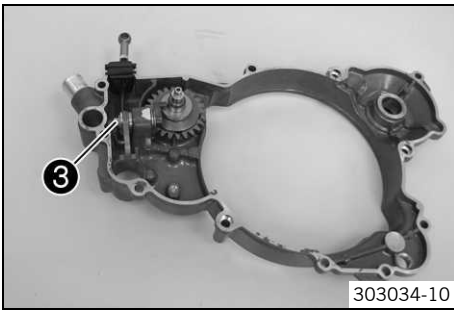
- Turn the water pump impeller all the way around to ensure that it can move easily.



- Mount adjusting lever 6 with the washers.



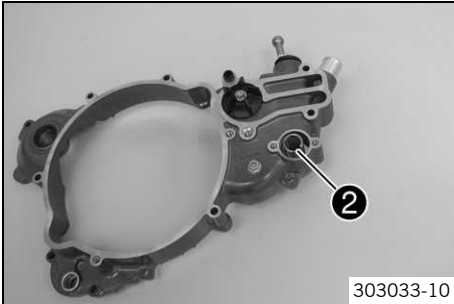
- Position linkage 5.
- Mount angle lever 4.



- Mount and tighten screw 3 with the washer.

Guideline

Screw, angle lever, exhaust control	M5	6 Nm (4.4 lbf ft)	Loctite® 243™
-------------------------------------	----	-------------------	---------------



- Mount adjusting spring 2 with the auxiliary spring and spring insert.

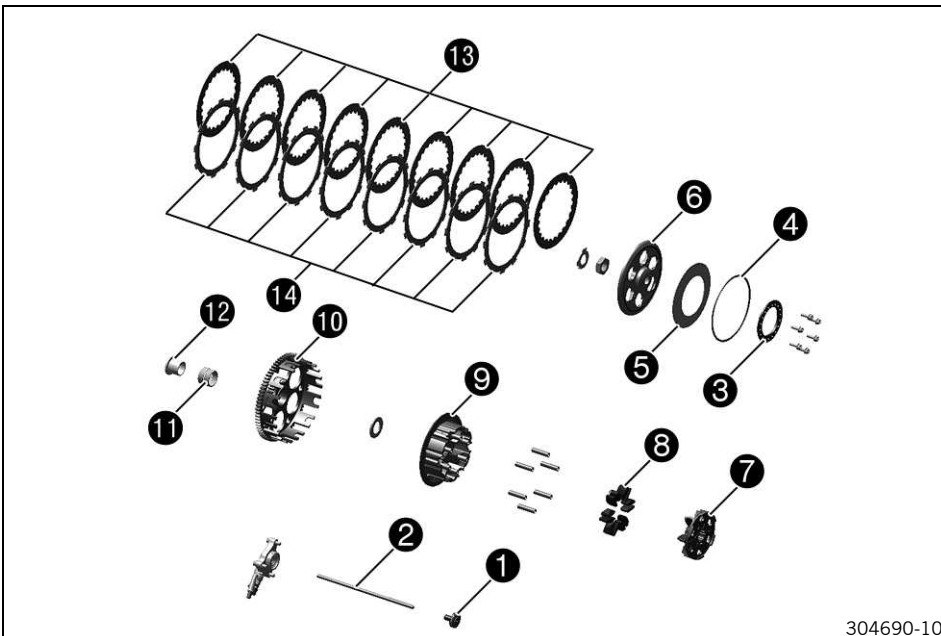


- Position the locking cap.
- Mount and tighten screws 1.

Guideline

Screw, exhaust control cover	M5	6 Nm (4.4 lbf ft)
------------------------------	----	-------------------

18.4.17 Checking the clutch



304690-10

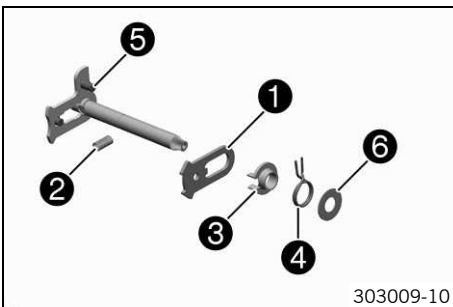
- Check pressure piece 1 for damage and wear.
 - » If there is damage or wear:
 - Change the pressure piece.
- Place push rod 2 on a level surface and check for run-out.
 - » If there is run-out:
 - Change the push rod.
- Check spring retainer 3 for damage and wear.

- » If there is damage or wear:
 - Change the spring retainer.
- Check pretension ring 4 for damage and wear.
 - » If there is damage or wear:
 - Change the pretension ring.
- Check spring washer 5 for damage and wear.
 - » If there is damage or wear:
 - Change the spring washer.
- Check the contact surface of pressure cap 6 for damage and wear.
 - » If there is damage or wear:
 - Change the pressure cap.
- Check clutch center 7 for damage and wear.
 - » If there is damage or wear:
 - Change the clutch center.
- Check damping rubber pieces 8 for damage and wear.
 - » If there is damage or wear:
 - Change the damping rubber pieces.
- Check the inner clutch hub 9 for damage and wear.
 - » If there is damage or wear:
 - Change the inner clutch hub.
- Check the thrust surfaces of the clutch facing discs in clutch basket 10 for damage and wear.
 - » If there is damage or wear:
 - Change the clutch facing discs and the outer clutch hub.
- Check needle bearing 11 and collar sleeve 12 for damage and wear.
 - » If there is damage or wear:
 - Change the needle bearing and collar sleeve.
- Check the intermediate discs 13 for damage and wear.
 - » If the intermediate discs are not flat or have punctiform outbreaks:
 - Change all intermediate discs.
- Check clutch facing discs 14 for discoloration and scoring.
 - » If there is discoloration or scoring:
 - Change all clutch facing discs.
- Check the thickness of clutch facing discs 14.

Clutch facing disc - thickness	≥ 1.9 mm (≥ 0.075 in)
--------------------------------	-----------------------

- » If the clutch lining disc does not meet specifications:
 - Change all clutch facing discs.

18.4.18 Preassembling the shift shaft



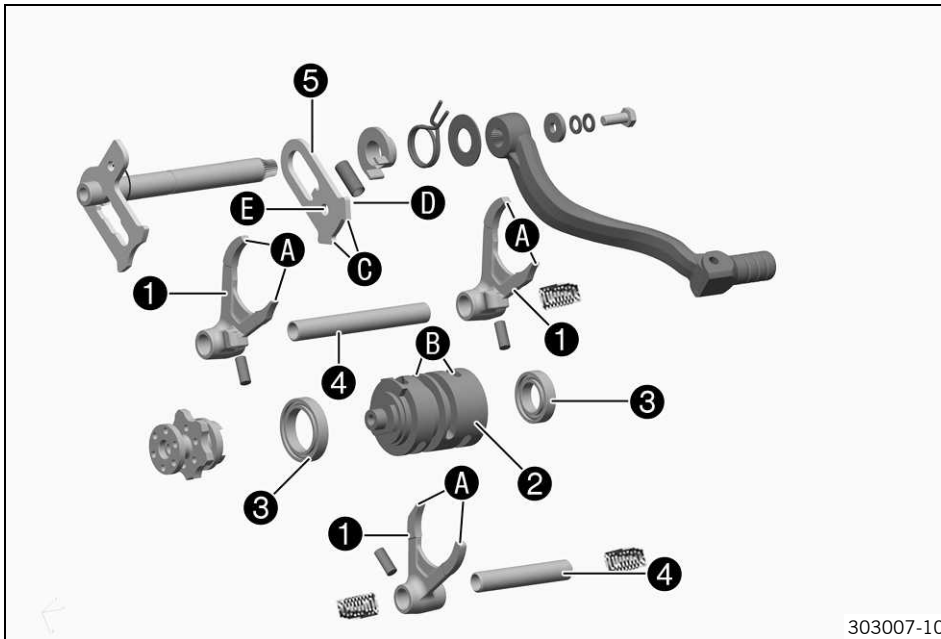
- Secure the short end of the shift shaft in the bench vise.

Guideline

Use soft jaws.

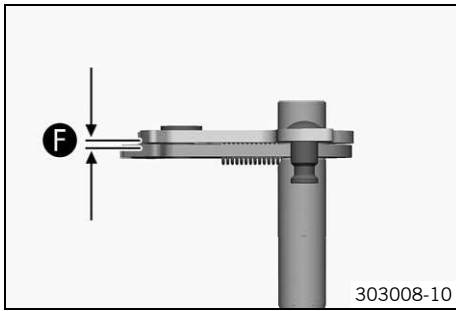
- Mount sliding plate 1 with the guide pin facing downward and put the guide pin on the shift quadrant.
- Mount pressure spring 2.
- Slide on spring guide 3, push return spring 4, with the offset end facing upward, over the spring guide and lift the offset end over abutment bolt 5.
- Mount stop disk 6.

18.4.19 Checking the shift mechanism



303007-10

- Check shift forks **1** on disc **A** for damage and wear (visual check).
 - » If there is damage or wear:
 - Change the shift fork and gear wheel pair.
- Check shift grooves **B** of shift drum **2** for wear.
 - » If the shift groove is worn:
 - Change the shift drum.
- Check the seating of the shift drum in bearings **3**.
 - » If the shift drum is not correctly seated:
 - Change the shift drum and/or bearings.
- Check bearings **3** for smooth operation and wear.
 - » If the bearings are stiff or worn:
 - Change the bearings.
- Check the shift rollers for damage and wear.
 - » If there is damage or wear:
 - Change the shift rollers.
- Check the springs of shift rails **4** for damage and wear.
 - » If the spring is damaged or worn:
 - Change the spring of the shift rail.
- Check the shift rails **4** for run-out on a flat surface.
 - » If there is run-out:
 - Change the shift rail.
- Check the shift rails for scoring, wear and smooth operation in the shift forks.
 - » If scoring or wear is present or of the shift fork is stiff:
 - Change the shift rail.
- Check sliding plate **5** for wear on contact areas **C**.
 - » If the sliding plate is worn:
 - Change the sliding plate.
- Check return surface **D** on the sliding plate for wear.
 - » If there is severe grooving:
 - Change the sliding plate.
- Check guide bolts **E** for firm seating and wear.
 - » If the guide bolts are loose or worn:
 - Change the sliding plate.

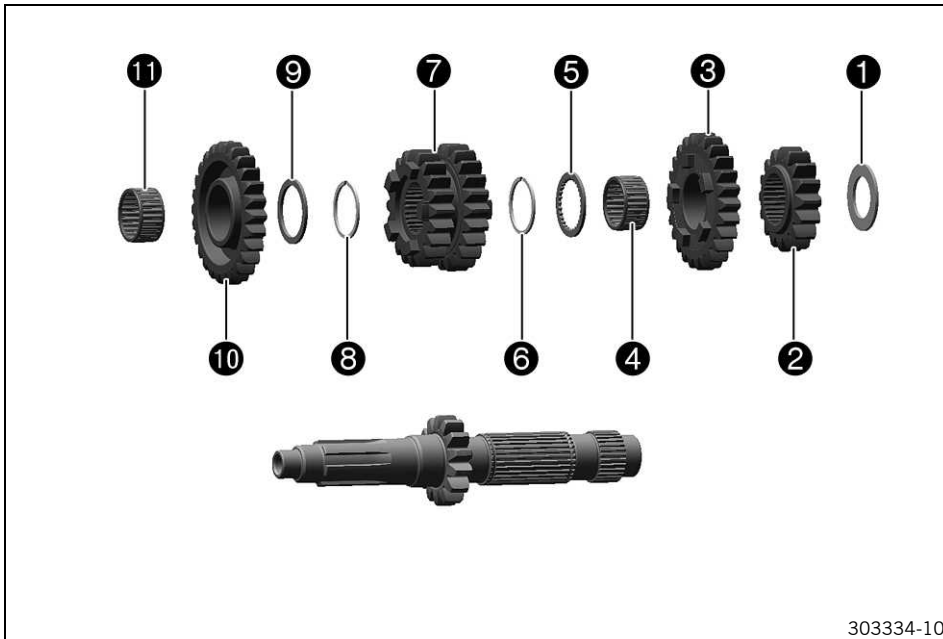


- Preassemble the shift shaft. (☛ p. 160)
- Check clearance **F** between the sliding plate and the shift quadrant.

Shift shaft - sliding plate/shift quadrant clearance	0.40... 0.80 mm (0.0157... 0.0315 in)
--	---------------------------------------

- » If the measured value does not meet specifications:
 - Change the sliding plate.

18.4.20 Disassembling the main shaft



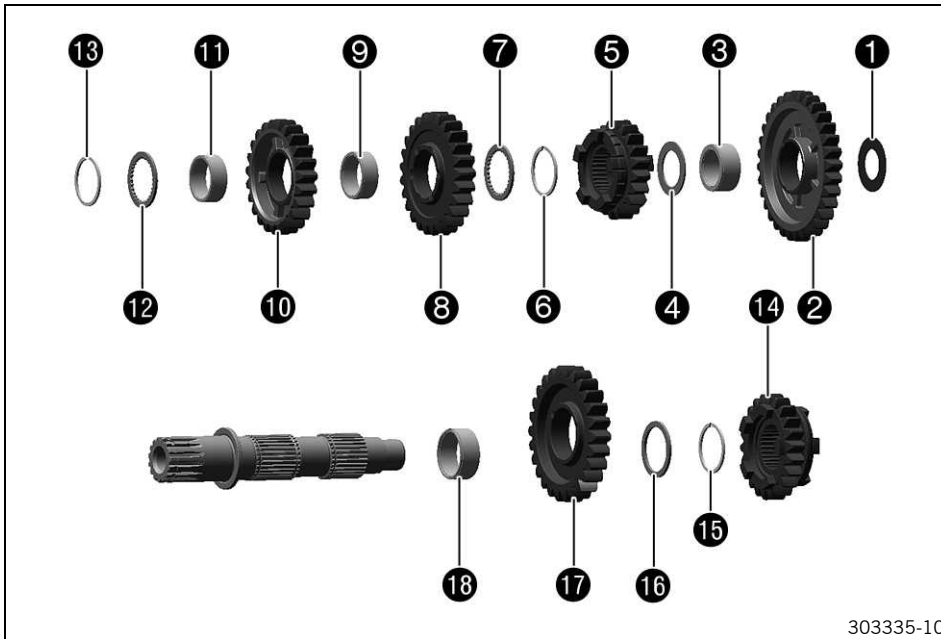
- Secure the main shaft with the toothed end facing downward in the vise.

Guideline

Use soft jaws.

- Remove stop disk **1** and 2nd-gear fixed gear **2**.
- Remove 5th-gear idler gear **3** and needle bearing **4**.
- Remove stop disk **5**.
- Remove lock ring **6**.
- Remove 3rd/4th-gear sliding gear **7**.
- Remove lock ring **8**.
- Remove stop disk **9**.
- Remove 6th-gear idler gear **10**.
- Remove needle bearing **11**.

18.4.21 Disassembling the countershaft



- Fix the countershaft in the vice with the toothed end facing downward.

Guideline

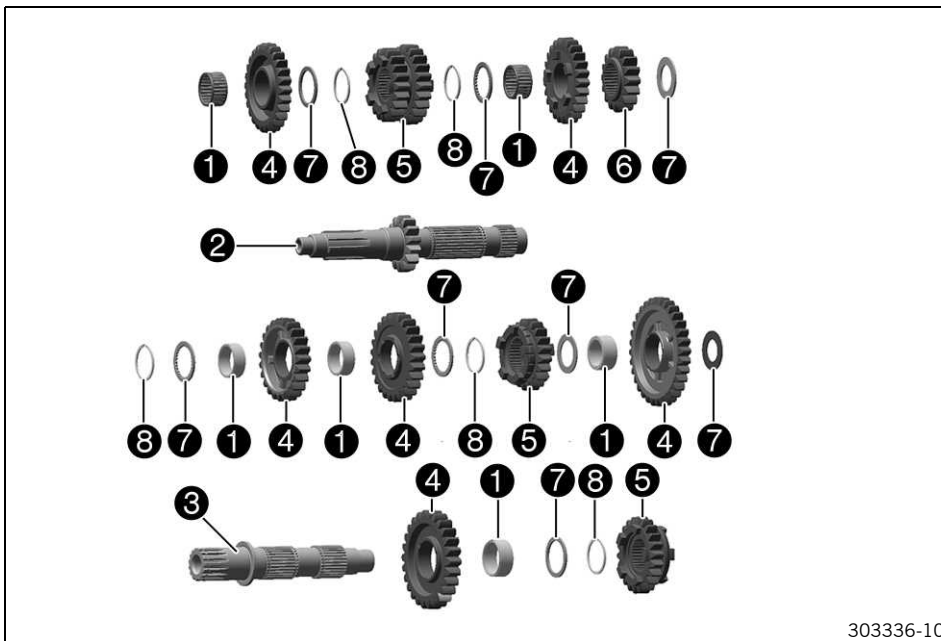
Use soft jaws

- Remove stop disk ① and 1st-gear idler gear ②.
- Remove needle bearing ③ and stop disk ④.
- Remove 6th-gear sliding gear ⑤.
- Remove lock ring ⑥.
- Remove stop disk ⑦.
- Remove 3rd-gear idler gear ⑧ and needle bearing ⑨.
- Remove 4th-gear idler gear ⑩.
- Remove needle bearing ⑪.
- Remove stop disk ⑫ and lock ring ⑬.
- Remove 5th-gear sliding gear ⑭.
- Remove lock ring ⑮.
- Remove stop disk ⑯.
- Remove 2nd-gear idler gear ⑰ and needle bearing ⑱.

18.4.22 Checking the transmission

Condition

The transmission has been disassembled.



303336-10

- Check needle bearings **1** for damage and wear.
 - » If there is damage or wear:
 - Change the needle bearing.
- Check the pivot points of main shaft **2** and countershaft **3** for damage and wear.
 - » If there is damage or wear:
 - Change the main shaft and/or countershaft.
- Check the tooth profiles of main shaft **2** and countershaft **3** for damage and wear.
 - » If there is damage or wear:
 - Change the main shaft and/or countershaft.
- Check the pivot points of idler gears **4** for damage and wear.
 - » If there is damage or wear:
 - Change the gear wheel pair.
- Check the shift dogs of idler gears **4** and sliding gears **5** for damage and wear.
 - » If there is damage or wear:
 - Change the gear wheel pair.
- Check the tooth faces of idler gears **4**, sliding gears **5** and fixed gear **6** for damage and wear.
 - » If there is damage or wear:
 - Change the gear wheel pair.
- Check the tooth profiles of sliding gears **5** for damage and wear.
 - » If there is damage or wear:
 - Change the gear wheel pair.
- Check sliding gears **5** for smooth operation in the profile of main shaft **2**.
 - » If the sliding gear does not move freely:
 - Change the sliding gear or the main shaft.
- Check sliding gears **5** for smooth operation in the profile of countershaft **3**.
 - » If the sliding gear does not move freely:
 - Change the sliding gear or the countershaft.
- Check stop disks **7** for damage and wear.
 - » If there is damage or wear:
 - Change the stop disks.
- Use new lock rings **8** with every repair.

18.4.23 Assembling the main shaft



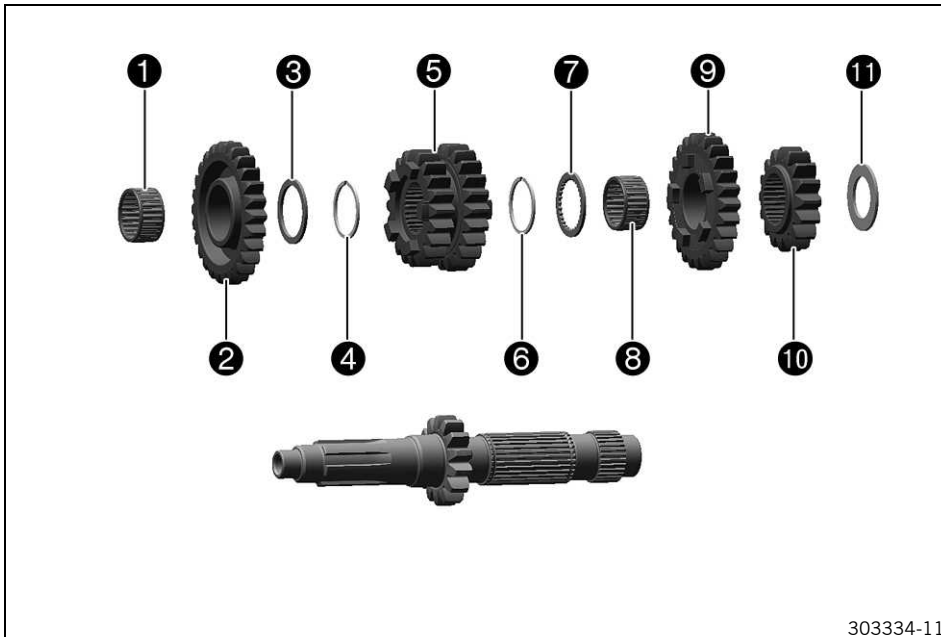
Info

Use new lock rings with every repair.

Preparatory work

- Carefully lubricate all parts before assembling.
- Check the transmission. (☞ p. 163)

Main work



303334-11

- Secure the main shaft with the toothed end facing downward in the vise.

Guideline

Use soft jaws

- Mount needle bearing ①.
- Mount 6th-gear idler gear ②.
- Mount stop disk ③ and lock ring ④.
- Mount 3rd/4th-gear sliding gear ⑤ with the small gear wheel facing downward.
- Mount lock ring ⑥ and stop disk ⑦.
- Mount needle bearing ⑧.
- Mount 5th-gear idler gear ⑨.
- Mount 2nd-gear fixed gear ⑩ and stop disk ⑪.
- Finally, check all gear wheels for smooth operation.

18.4.24 Assembling the countershaft



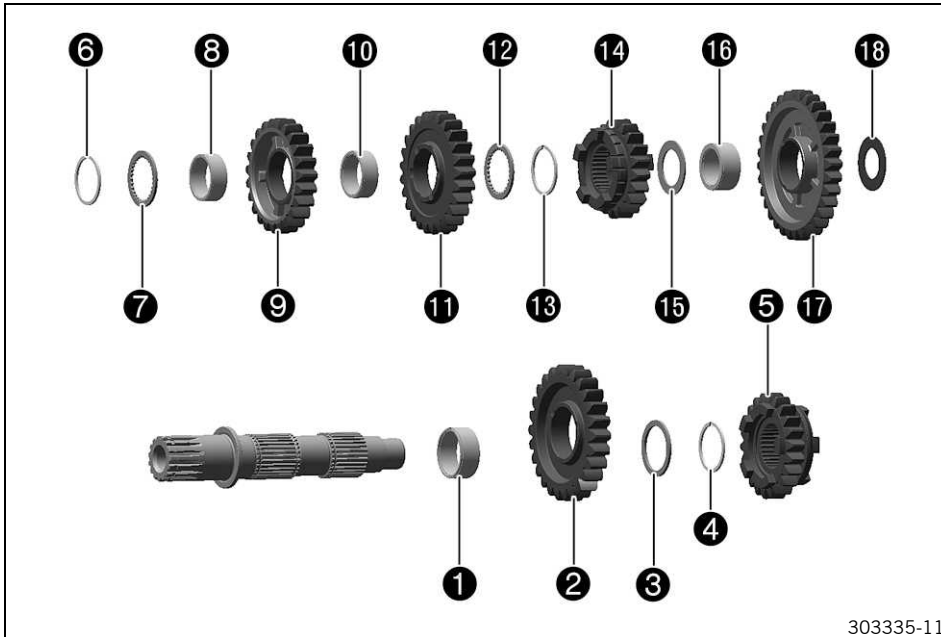
Info

Use new lock rings with every repair.

Preparatory work

- Carefully lubricate all parts before assembling.
- Check the transmission. (☞ p. 163)

Main work



303335-11

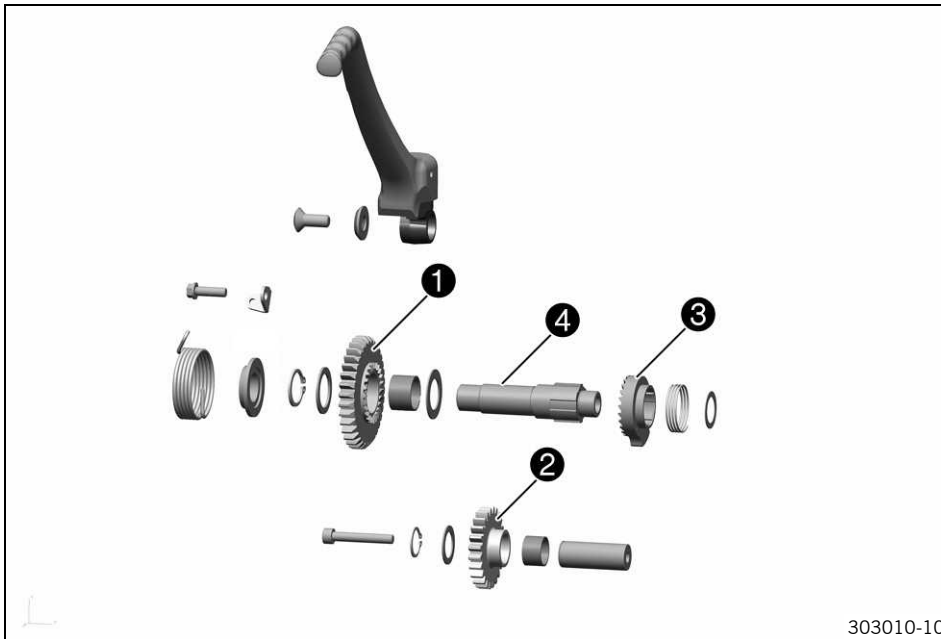
- Fix the countershaft in the vice with the toothed end facing downward.

Guideline

Use soft jaws

- Mount needle bearing **1** and 2nd-gear idler gear **2** onto the countershaft with the protruding collar facing downward.
- Mount stop disk **3** and lock ring **4**.
- Mount 5th-gear sliding gear **5** with the shift groove facing up.
- Mount lock ring **6** and stop disk **7**.
- Mount needle bearing **8** and 4th-gear idler gear **9**.
- Mount needle bearing **10**.
- Mount 3rd-gear idler gear **11**.
- Mount stop disk **12** and lock ring **13**.
- Mount 6th-gear sliding gear **14** with the shift groove facing downward.
- Mount stop disk **15**.
- Mount needle bearing **16** and 1st-gear idler gear **17**.
- Mount stop disk **18**.
- Finally, check all gear wheels for smooth operation.

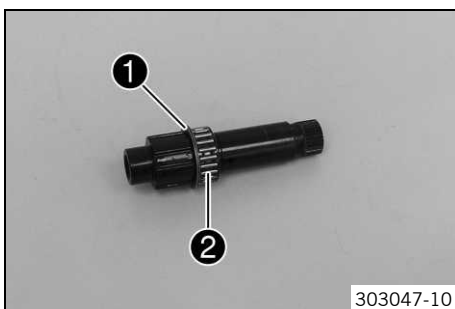
18.4.25 Checking the kick starter



303010-10

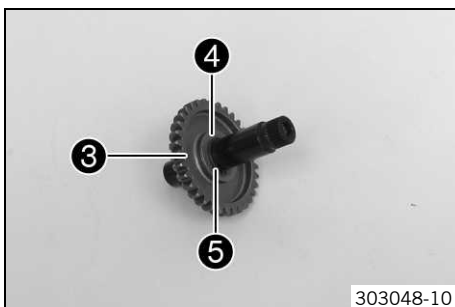
- Check the gear mesh and bearing of kick starter gear ❶ for damage and wear.
 - » If there is damage or wear:
 - Change the kick starter gear.
- Check the gear mesh and bearing of intermediate kick starter gear ❷ for damage and wear.
 - » If there is damage or wear:
 - Change the intermediate kick starter gear.
- Check the gear mesh and contact surface of kick starter ratchet wheel ❸ for damage and wear.
 - » If there is damage or wear:
 - Change the kick starter ratchet wheel.
- Check the gear mesh and bearing of kick starter shaft ❹ for damage and wear.
 - » If there is damage or wear:
 - Change the kick starter shaft.

18.4.26 Preassembling the kick starter shaft



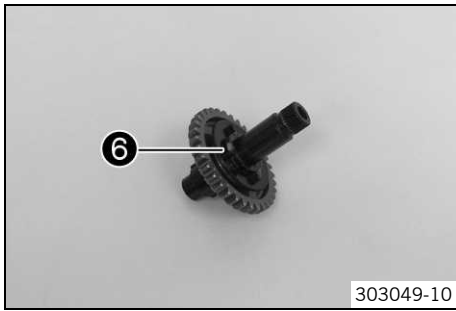
303047-10

- Mount washer ❶ and bearing ❷.

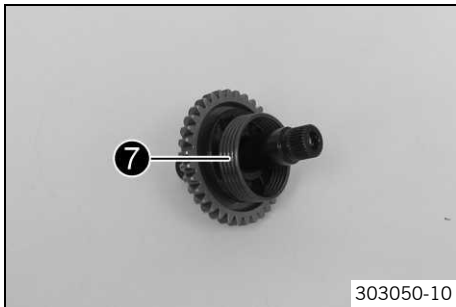


303048-10

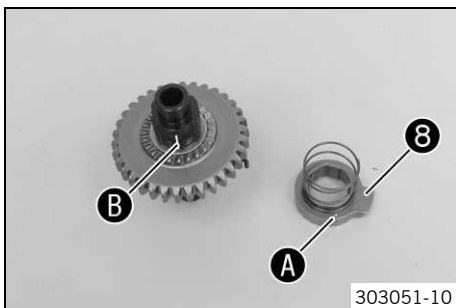
- Mount kick starter gear ❸ with washer ❹.
- Mount lock ring ❺.



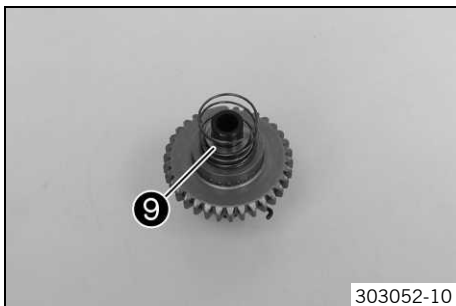
- Mount driving hub 6.
- ✓ The cut-out must be aligned with the hole in the kick starter shaft.



- Mount kick starter spring 7.
- ✓ The end of the kick starter spring engages in the hole.

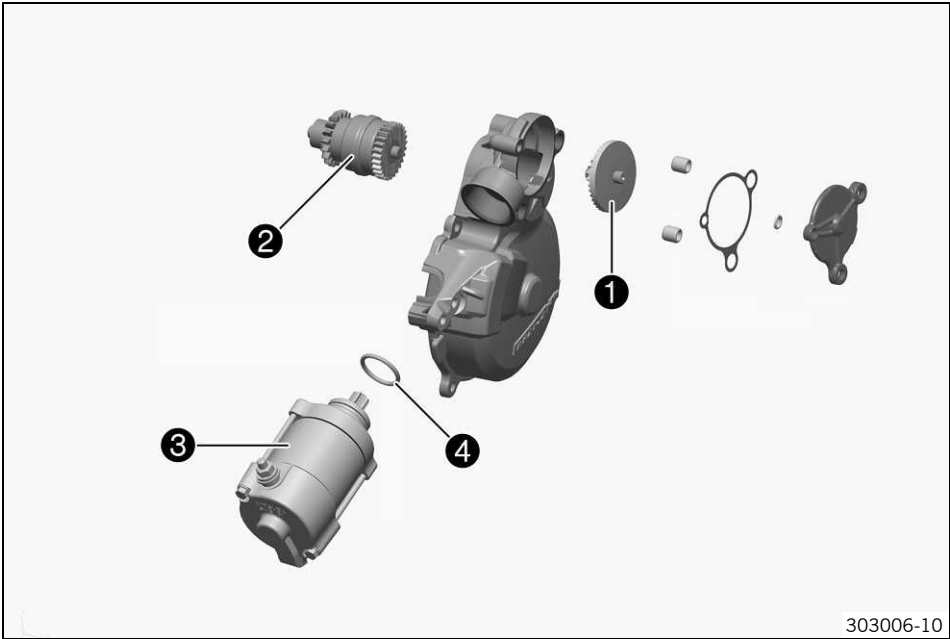


- Mount kick starter ratchet wheel 8 with the spring.
- ✓ Marking A is offset by one tooth behind marking B.



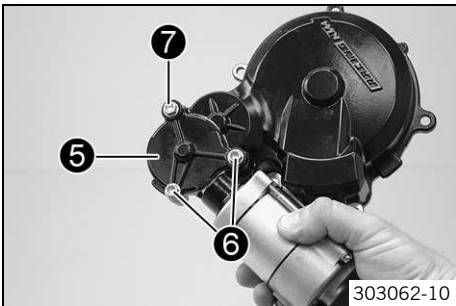
- Mount washer 9.

18.4.27 Checking the electric starter drive



303006-10

- Check the gear mesh and bearing of starter idler gear 1 for damage and wear.
 - » If there is damage or wear:
 - Change the starter idler gear.
- Check the gear mesh and bearing of Bendix 2 for smooth operation, damage and wear.
 - » If damaged or worn, or if the Bendix does not move easily:
 - Change the Bendix.
- Check the gear mesh of starter motor 3 for damage and wear
 - » If there is damage or wear:
 - Change the starter motor.
- Change O-ring 4 of the starter motor.
- Connect the negative cable of a 12 volt power supply to the housing of the starter motor. Connect the positive cable of the power supply briefly with the connector of the starter motor.
 - » If the starter motor does not turn when the circuit is closed:
 - Change the starter motor.



303062-10

- Mount the starter idler gear in the alternator cover.
- Mount cover 5 with the gasket.
- Mount and tighten screws 6.

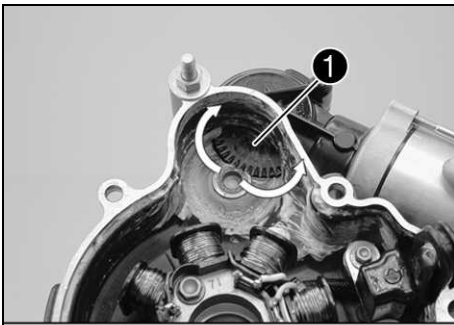
Guideline

Screw, alternator cover	M6	8 Nm (5.9 lbf ft)
-------------------------	----	-------------------

- Mount and tighten a fitting screw 7 with the washer and nut.

Guideline

Screw, alternator cover	M6	8 Nm (5.9 lbf ft)
-------------------------	----	-------------------



- Move starter idler gear 1 back and forth in the direction of rotation.
- Check for play.

Guideline

Play may not exceed half the tooth width.

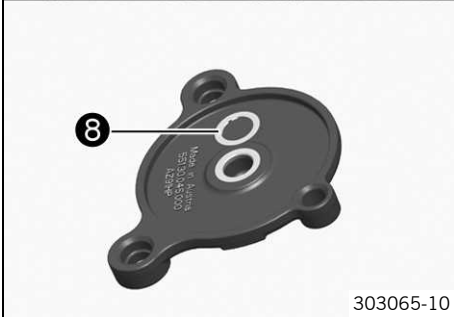
- » If the play is greater:
 - Remove the cover.
 - Add enough compensating disks 8 to eliminate the play.
 - Remove one compensating disk again.

Guideline

Compensating disk	0.10 mm (0.0039 in)
-------------------	---------------------

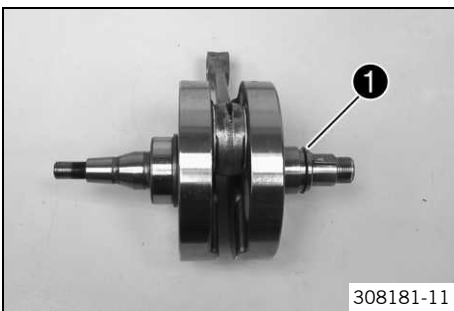
- Check the play again.
- Grease all pivot points.

Lubricant (T625) (☛ p. 270)

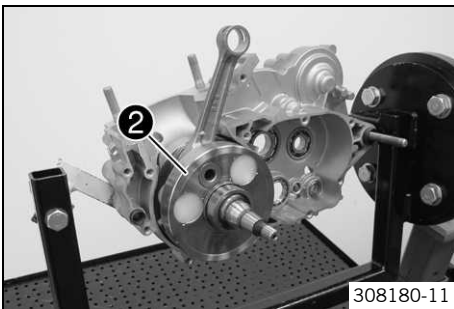


18.5 Engine assembly

18.5.1 Installing the crankshaft



- Mount O-ring 1.



- Position the right section of the engine case in the engine work stand.

Engine assembly stand (61229001000) (☛ p. 275)
--

Engine fixing arm (56029002030) (☛ p. 274)
--

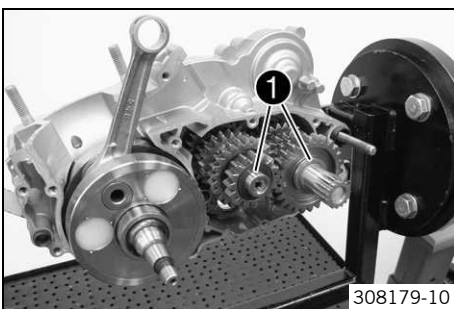
- Warm up the crankshaft bearing.

Guideline

100 °C (212 °F)

- Slide crankshaft 2 all the way into the bearing seat of the right section of the engine case.

18.5.2 Installing the transmission shafts

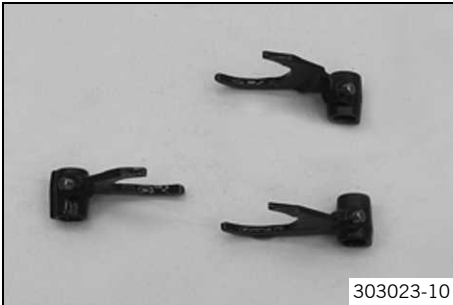


- Oil all bearing.

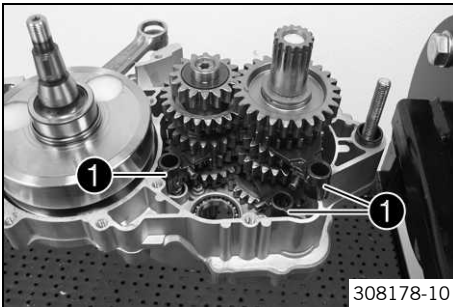
Engine oil (15W/50) (☛ p. 268)

- Assemble the two transmission shafts 1 and slide them into the bearing seats together.

18.5.3 Installing the shift forks

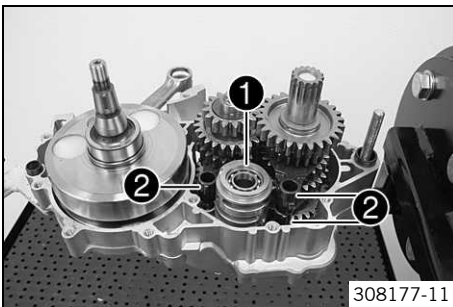


- Arrange the shift forks as shown above.



- Position shift forks ❶ in the shift grooves.

18.5.4 Installing the shift drum



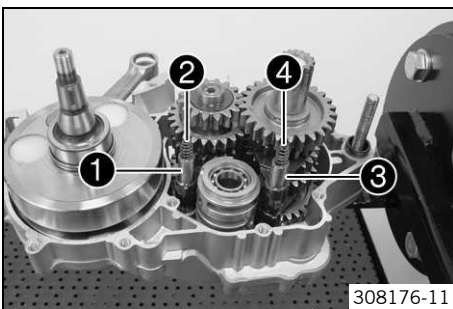
- Push shift drum ❶ into the bearing seat.
- Put shift forks ❷ in the shift drum.



Info

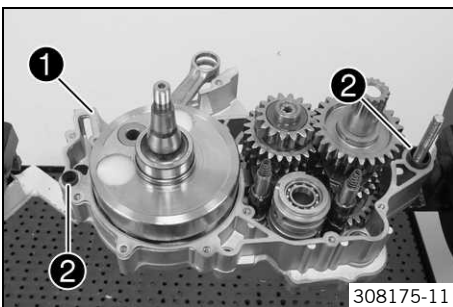
Do not misplace the shift rollers.

18.5.5 Installing the shift rails

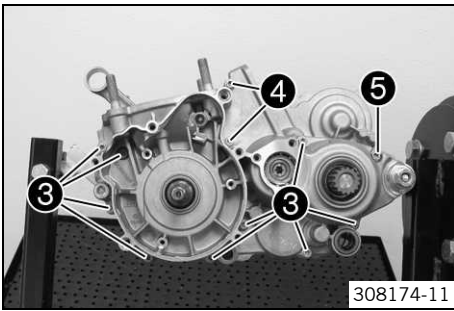


- Install shift rail ❶ together with upper spring ❷ and the lower spring.
- Install shift rail ❸ together with upper spring ❹.

18.5.6 Installing the left engine case section



- Coat the sealing area thinly with grease.
- Mount engine case gasket ❶.
- Check that dowels ❷ are seated correctly.



- Mount the left section of the engine case.



Info

Do not use the screws to pull the two sections of the engine case together.

- Mount screws 3 and, once all screws of the left section of the engine case have been mounted, tighten them.

Guideline

Screw, engine case	M6x40	10 Nm (7.4 lbf ft)
--------------------	-------	--------------------

- Mount screws 4 and, once all screws of the left section of the engine case have been mounted, tighten them.

Guideline

Screw, engine case	M6x55	10 Nm (7.4 lbf ft)
--------------------	-------	--------------------

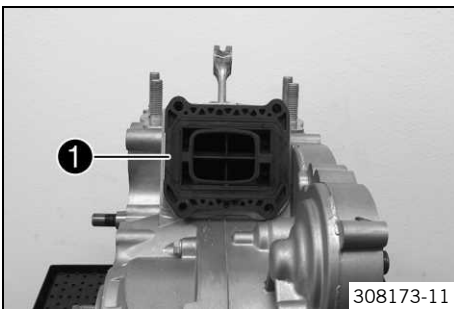
- Mount screws 5 and tighten all screws in a crisscross pattern.

Guideline

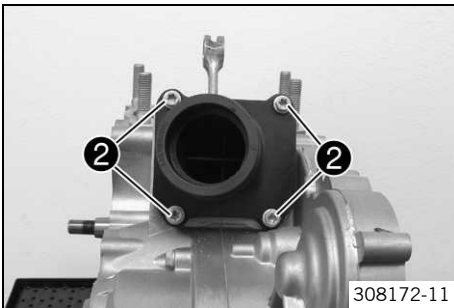
Screw, engine case	M6x60	10 Nm (7.4 lbf ft)
--------------------	-------	--------------------

- Fix the engine in the engine work stand.
- Remove the excess lengths of the engine case gasket in the area of the cylinder support and the reed valve housing.

18.5.7 Installing the reed valve housing



- Position the gasket.
- Position reed valve housing 1 in the engine case opening.

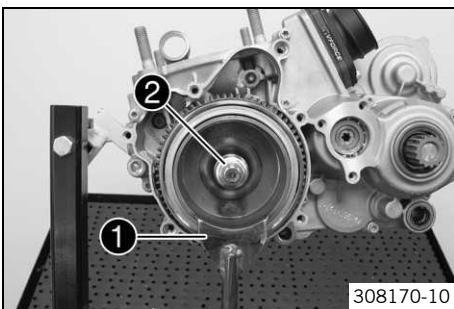


- Position the intake flange.
- Mount and tighten screws 2.

Guideline

Screw, intake flange/reed valve housing	M6	10 Nm (7.4 lbf ft)
---	----	--------------------

18.5.8 Installing the rotor



- Ensure that the spring washers are seated properly.
- Grease the cone.
- Mount the rotor and hold it with special tool 1.

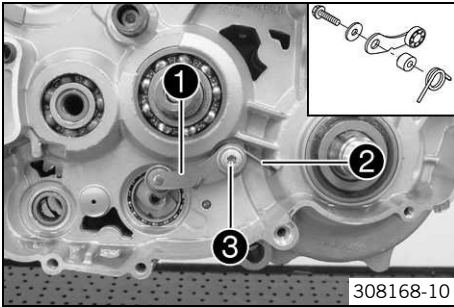
Holding spanner, rotor (55129001000) (☞ p. 274)

- Mount washer and nut 2. Tighten the nut.

Guideline

Nut, rotor	M12x1	60 Nm (44.3 lbf ft)
------------	-------	---------------------

18.5.9 Installing the locking lever

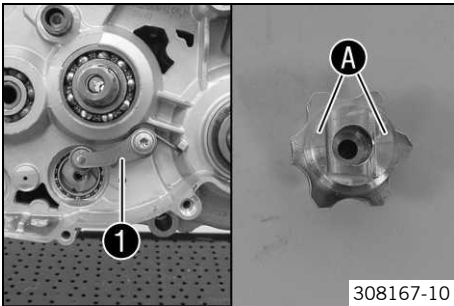


- Position locking lever ① with the sleeve and spring ②.
- Mount and tighten screw ③.

Guideline

Screw, shift drum locating	M6	10 Nm (7.4 lbf ft)	Loctite® 243™
----------------------------	----	-----------------------	---------------

18.5.10 Installing the shift drum locating unit

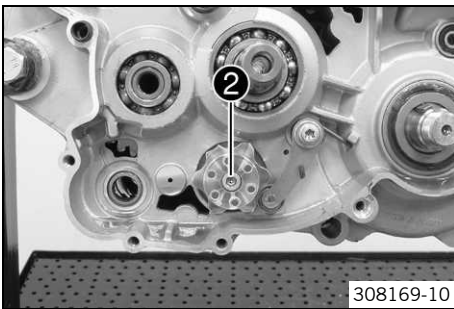


- Press locking lever ① to the right and position the shift drum locating unit.



Info

The flat surfaces **A** of the shift drum locating unit are not symmetrical.

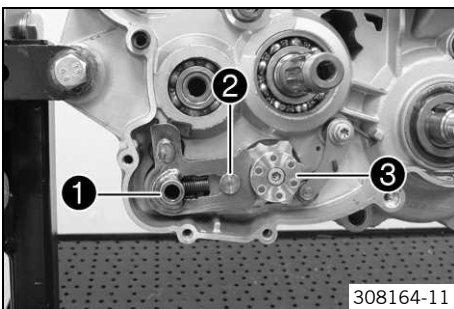


- Relieve tension from the locking lever.
- Mount and tighten screw ②.

Guideline

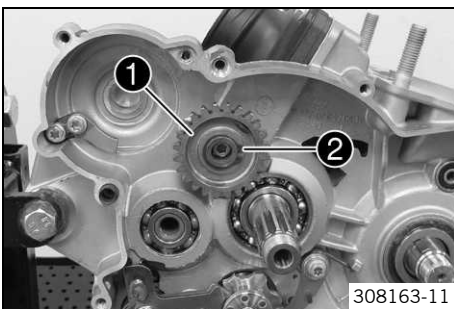
Screw, shift drum locating	M6	10 Nm (7.4 lbf ft)	Loctite® 243™
----------------------------	----	-----------------------	---------------

18.5.11 Installing the shift shaft



- Slide shift shaft ① with the washer into the bearing seat.
- Push sliding plate ② away from the shift drum locating unit ③. Insert the shift shaft all the way.
- Let the sliding plate engage in the shift drum locating unit.
- Shift through the transmission.

18.5.12 Installing the intermediate kick starter gear

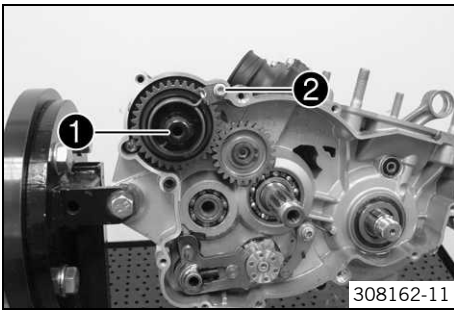


- Mount intermediate kick starter gear ① with the high collar facing the engine case.
- Position the washer.
- Mount lock ring ②.

18.5.13 Installing the kick starter shaft

Preparatory work

- Preassemble the kick starter shaft. (☛ p. 167)



Main work

- Mount the preassembled kick starter shaft ① with the washer.
- Tension the kick starter spring and mount and tighten screw ②.

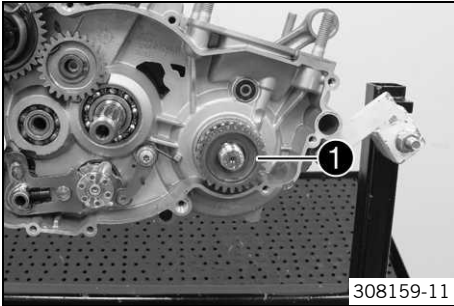
Guideline

Screw, kick starter spring	M6	10 Nm (7.4 lbf ft)	Loctite® 243™
----------------------------	----	-----------------------	----------------------

i Info

Ensure that the distance from the kick starter spring to the kick starter shaft is the same all around.

18.5.14 Installing the clutch basket

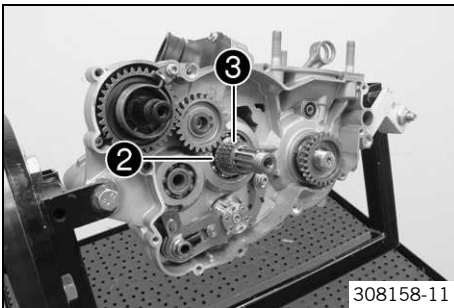


- Mount the distance sleeve.

i Info

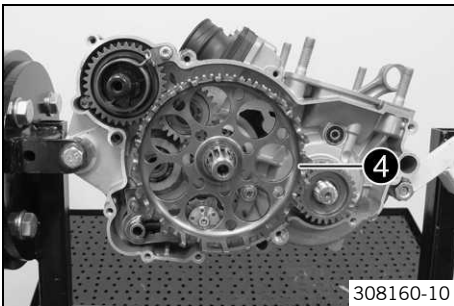
Do not damage the shaft seal ring.

- Position primary gear ①.

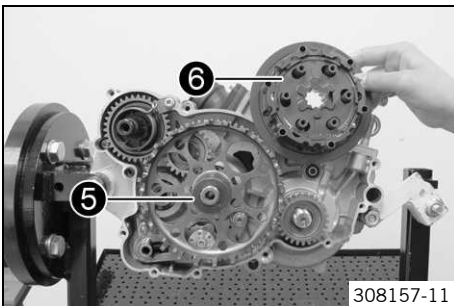


- Mount collar bushing ②.
- Oil and mount needle bearing ③.

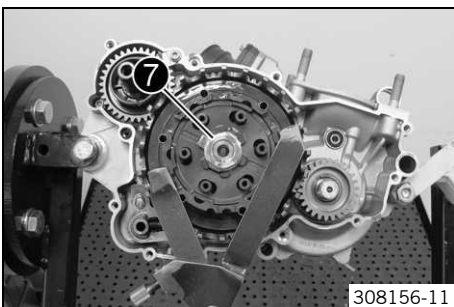
Engine oil (15W/50) (☛ p. 268)



- Slide clutch basket ④ onto the gearbox main shaft.



- Slide on washer ⑤ and inner clutch hub ⑥.

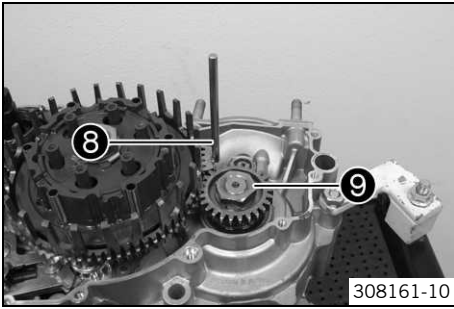


- Position the new lock washer and mount nut ⑦. Tighten the nut, holding the inner clutch hub with a special tool.

Guideline

Nut, inner clutch hub	M18x1.5	120 Nm (88.5 lbf ft)	Loctite® 648™
-----------------------	---------	-------------------------	----------------------

Clutch holder (51129003000) (☛ p. 273)



- Secure the nut with the lock washer.
- Hold the primary gear using special tool 9.

Gear segment (56012004000) (☛ p. 274)

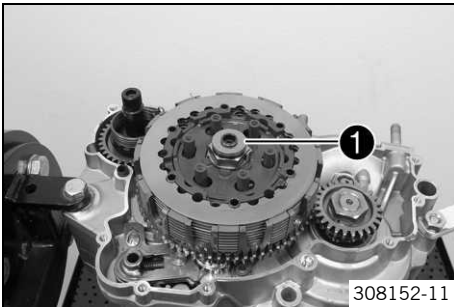
- Mount and tighten nut 9 with the washer.

Guideline

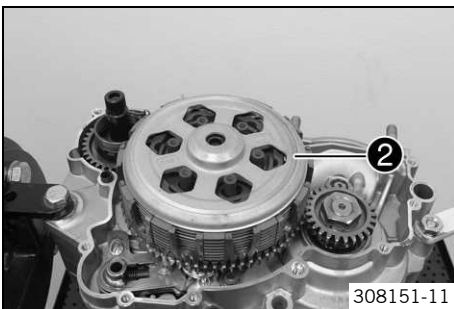
Nut, primary gear	M18LHx1.5	150 Nm (110.6 lbf ft)	Loctite® 648™
-------------------	-----------	--------------------------	---------------

- Crank the engine to ensure that it can move easily.

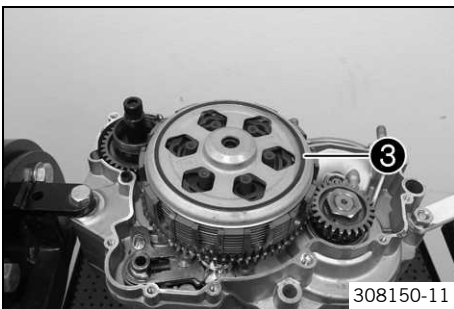
18.5.15 Installing the clutch discs



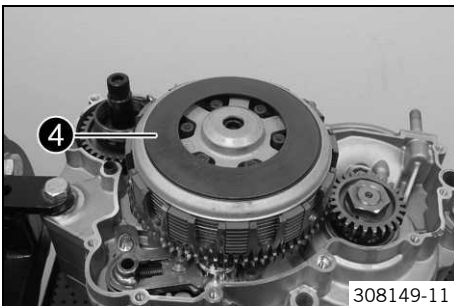
- Thoroughly oil the clutch facing discs.
- Beginning with an intermediate clutch disc, alternately insert all other clutch facing discs and intermediate clutch discs into the clutch basket.
- Mount clutch pressure piece 1.



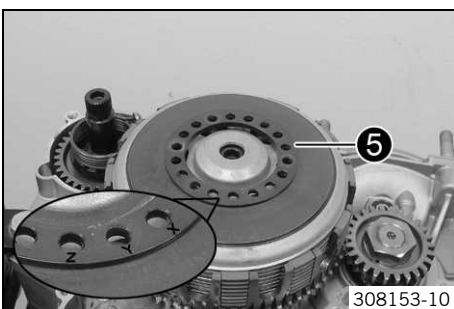
- Position pressure cap 2.



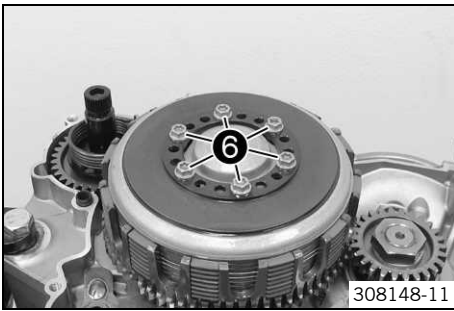
- Mount pretension ring 3 with the **Top** marking facing up.



- Position spring washer 4.



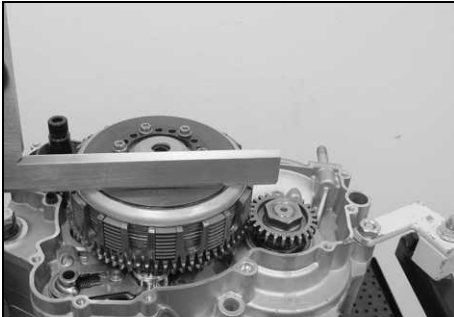
- Position spring retainer 5 with the **X** marking.



- Mount screws 6 and tighten in a crisscross pattern.

Guideline

Screw, clutch spring retainer	M5	6 Nm (4.4 lbf ft)
-------------------------------	----	-------------------



- Using a straightedge and the special tool, check the spring washers for distortion.

Feeler gauge (59029041100) (☛ p. 275)		
---------------------------------------	--	--

Spring washer distortion	0... 0.10 mm (0... 0.0039 in)	
--------------------------	-------------------------------	--

» If the specified value was not attained:

- Remove screws 6 and mount the spring retainer with marking Y.

- Using a straightedge and the special tool, check the spring washers for distortion.

Feeler gauge (59029041100) (☛ p. 275)		
---------------------------------------	--	--

Spring washer distortion	0... 0.10 mm (0... 0.0039 in)	
--------------------------	-------------------------------	--

» If the specified value was not attained:

- Remove screws 6 and mount the spring retainer with marking Z.

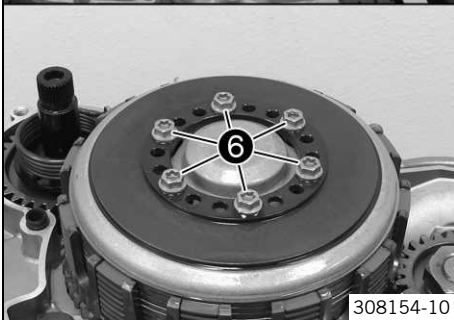
- Using a straightedge and the special tool, check the spring washers for distortion.

Feeler gauge (59029041100) (☛ p. 275)		
---------------------------------------	--	--

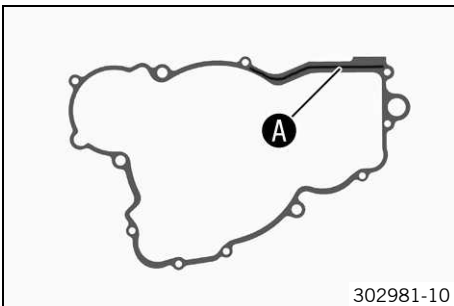
Spring washer distortion	0... 0.10 mm (0... 0.0039 in)	
--------------------------	-------------------------------	--

» If the specified value was not attained:

- Change the clutch facing discs.

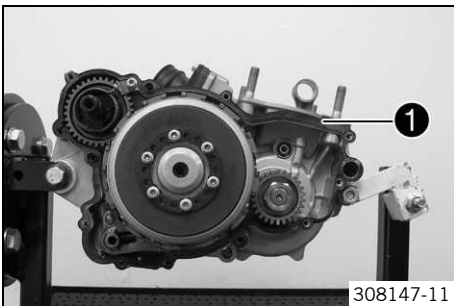


18.5.16 Installing the clutch cover

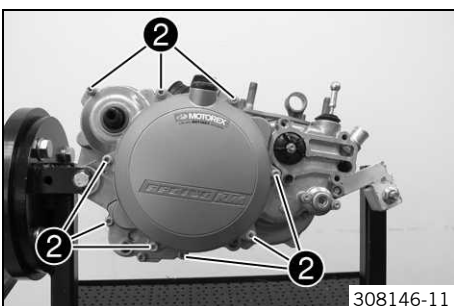


- Apply a thin layer of sealing compound in area A on both sides.

Loctite® 5910



- Mount the dowels.
- Mount clutch cover gasket 1.

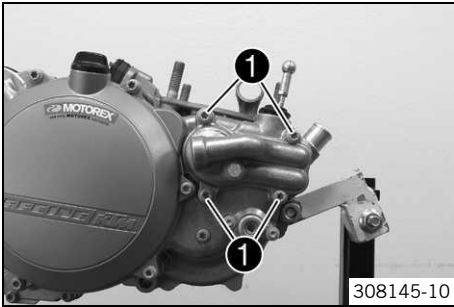


- Position the clutch cover. Mount and tighten screws 2.

Guideline

Screw, clutch cover	M6	10 Nm (7.4 lbf ft)
---------------------	----	--------------------

18.5.17 Installing the water pump cover



308145-10

- Mount the form ring.



Info

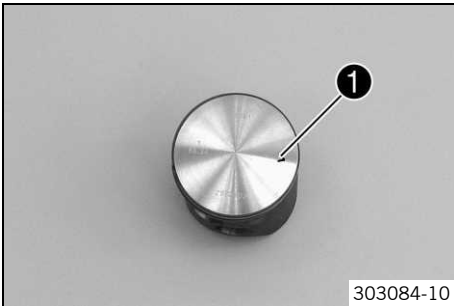
Ensure that the dowels are seated properly.

- Position the water pump cover.
- Mount and tighten screws ①.

Guideline

Screw, water pump cover	M6	10 Nm (7.4 lbf ft)
-------------------------	----	--------------------

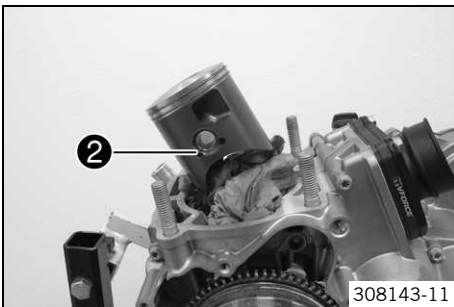
18.5.18 Installing the piston



303084-10

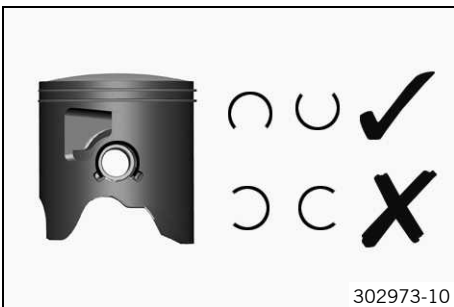
(All 250 models)

- Oil the upper conrod bearing and position it in the connecting rod.
- Position the piston.
 - ✓ Piston marking ① must face the exhaust side.



308143-11

- Slide piston pin ② into the connecting rod by hand.

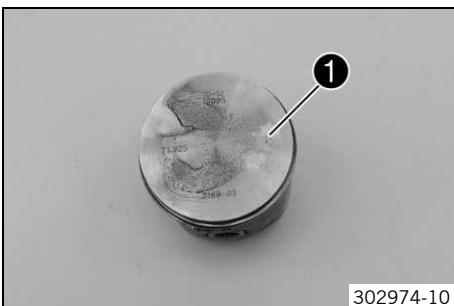


302973-10

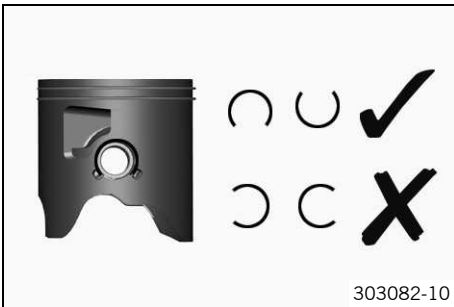
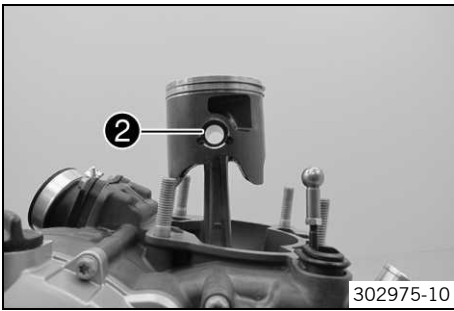
- Cover the engine case opening with a cloth.
- Position the piston pin retainer in the 6 o'clock or 12 o'clock position.
- Ensure that the piston pin retainer is seated properly on both sides.
- Remove the cloth.

(All 300 models)

- Oil the upper conrod bearing and position it in the connecting rod.
- Position the piston.
 - ✓ Piston marking ① must face the exhaust side.

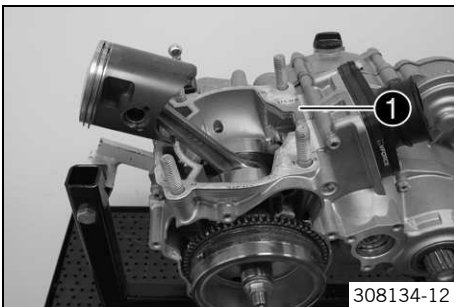


302974-10



- Slide piston pin ② into the connecting rod by hand.
- Cover the engine case opening with a cloth.
- Position the piston pin retainer in the 6 o'clock or 12 o'clock position.
- Ensure that the piston pin retainer is seated properly on both sides.
- Remove the cloth.

18.5.19 Installing the cylinder



(All 250 models)

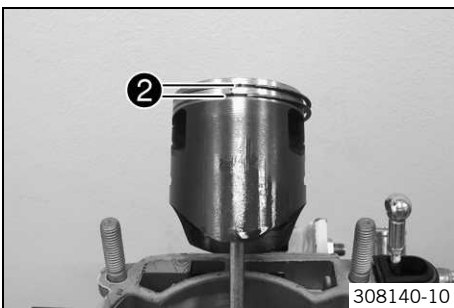
- Position the new cylinder base gasket ①.



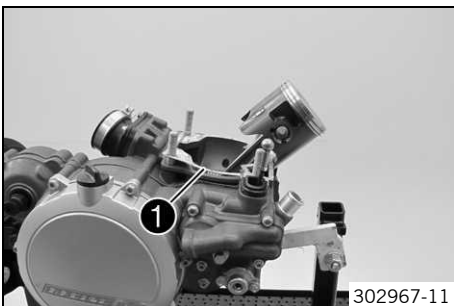
Info

If neither the piston, cylinder, crankshaft, or engine case need to be changed, the same gasket thickness can be used as before.

- Oil the cylinder and piston.



- Position the piston ring.
- ✓ The anti-rotation lock engages in piston ring end ②.



(All 300 models)

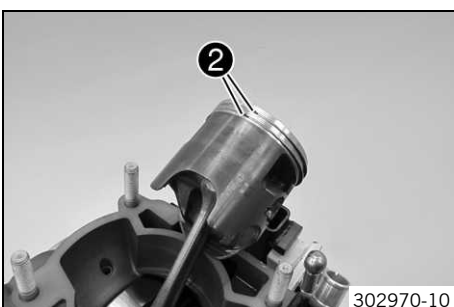
- Position the new cylinder base gasket ①.



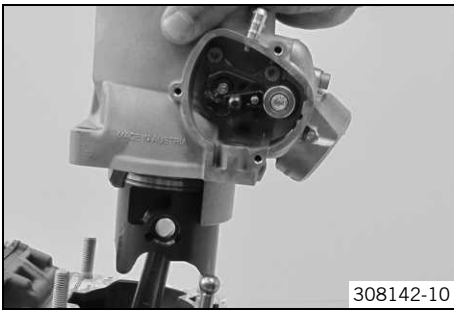
Info

If neither the piston, cylinder, crankshaft, or engine case need to be changed, the same gasket thickness can be used as before.

- Oil the cylinder and piston.



- Position the piston ring.
- ✓ The anti-rotation lock engages in piston ring end ②.



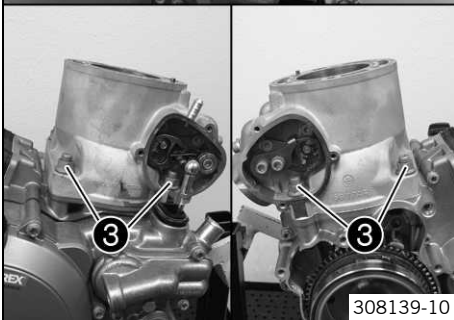
- Slide the cylinder over the piston.
- Push the cylinder down carefully.



- Mount nuts ③ on both sides and tighten in a crisscross pattern.

Guideline

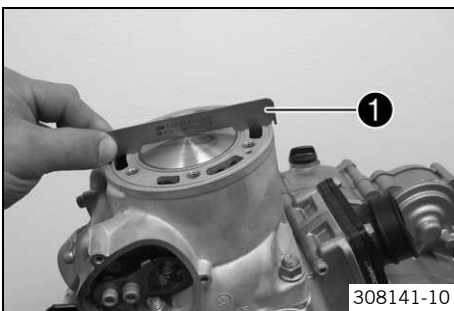
Nut, cylinder base	M10	35 Nm (25.8 lbf ft)
--------------------	-----	------------------------



18.5.20 Checking the X-distance

i Info

The X-distance is the distance defined for the piston protrusion, when the cylinder is clamped down and the piston is at top dead center.
The X-distance must be checked very carefully. If the X-distance is too large, the compression decreases and the engine loses power. If the X-distance is too small, the engine knocks and overheats.



(All 250 models)

- Apply special tool ① to the cylinder.

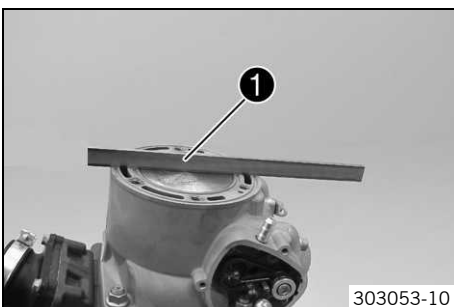
Adjustment gauge (54829001100) (☞ p. 273)

- Position the piston at top dead center.
- Check the X-distance using the special tool.

Feeler gauge (59029041100) (☞ p. 275)

X (upper edge of piston to upper edge of cylinder)	0... 0.10 mm (0... 0.0039 in)
--	-------------------------------

- » If the specified value is not attained:
 - Adjust the X-distance. (☞ p. 180)



(All 300 models)

- Place straightedge ① on the cylinder.
- Position the piston at top dead center.
- Check the X-distance using the special tool.

Feeler gauge (59029041100) (☞ p. 275)

X (upper edge of piston to upper edge of cylinder)	0... 0.10 mm (0... 0.0039 in)
--	-------------------------------

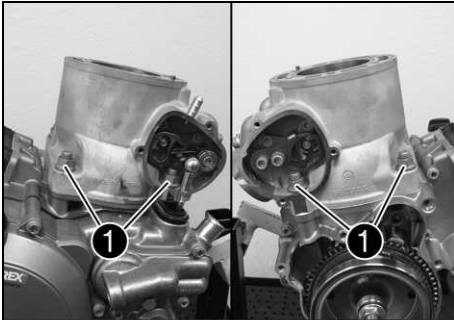
- » If the specified value is not attained:
 - Adjust the X-distance. (☛ p. 180)

18.5.21 Adjusting the X-distance

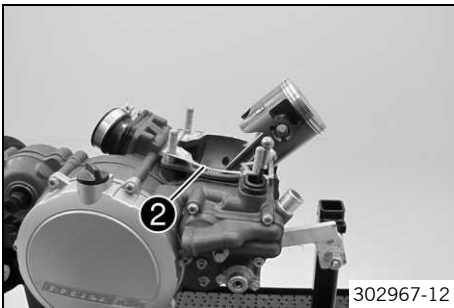


Info

The X-distance is adjusted by inserting cylinder base gaskets of various thicknesses.



308133-11



302967-12

Preparatory work

- Check the X-distance. (☛ p. 179)

Main work

- Remove nuts ①.
- Carefully slide the cylinder up and take it off.

- Replace cylinder base gasket ② with a cylinder base gasket of the required X-distance.



Info

Multiple cylinder base gaskets can be combined.

Finishing work

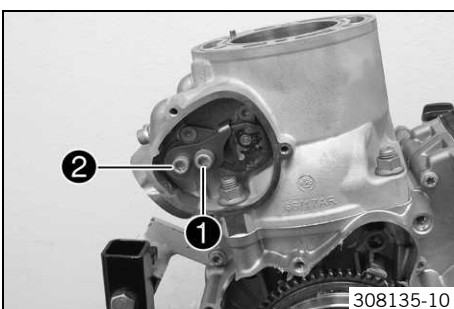
- Install the cylinder. (☛ p. 178)

18.5.22 Adjusting the Z-distance



Info

The Z-distance is the distance from the lower edge of the control flap to the upper edge of the cylinder, measured in the middle of the exhaust port.

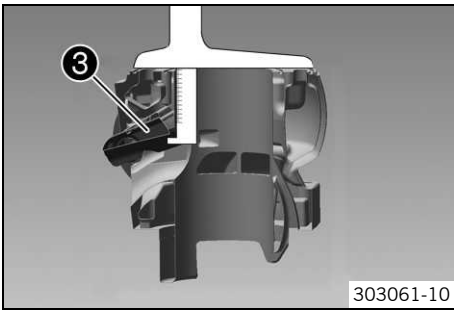


308135-10

- Remove screws ① and ②.
- Remove screws ① and ② but do not tighten yet.

Guideline

Screw, control flap, exhaust control	M6	10 Nm (7.4 lbf ft)	Loctite® 243™
--------------------------------------	----	-----------------------	---------------

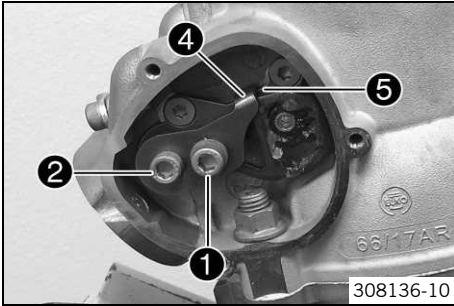


- Adjust the Z-distance using the depth gauge.

Guideline

Z (height of control flap) (All 250 models)	48 mm (1.89 in)
Z (height of control flap) (All 300 models)	48.5 mm (1.909 in)

- Move control flap ③ up and position the depth gauge.



- Position stop plate ④ so it is in contact with retaining bracket ⑤.
- Tighten screws ① and ②.

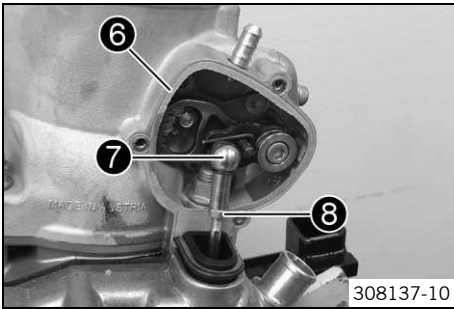
Guideline

Screw, control flap, exhaust control	M6	10 Nm (7.4 lbf ft)	Loctite® 243™
--------------------------------------	----	--------------------	---------------

- Check the Z-distance.

Guideline

Z (height of control flap) (All 250 models)	48 mm (1.89 in)
Z (height of control flap) (All 300 models)	48.5 mm (1.909 in)



- Mount gasket ⑥.
- Press the control flap all the way down.
- Mount ball socket ⑦.

i Info

The linkage may only be pulled up slightly. The control flap may not be moved up.

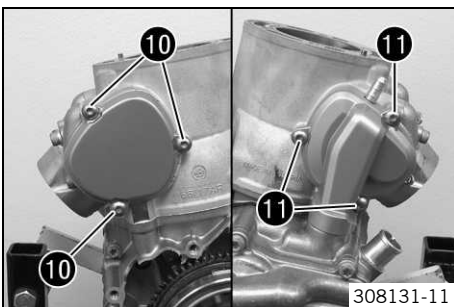
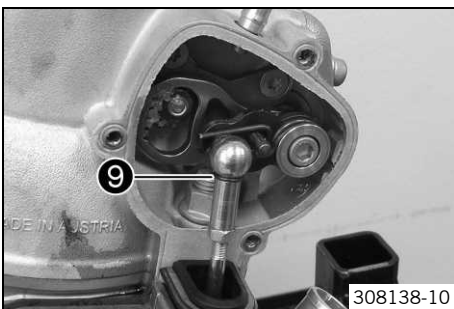
- Check the movement of the linkage.

Guideline

≤ 1 mm (≤ 0.04 in)

- » If the linkage is pulled up further:
 - Loosen counter nut ⑧.
 - Turn the ball socket accordingly until the linkage has the correct length.
 - Tighten the lock nut.

- Mount retainer ⑨.

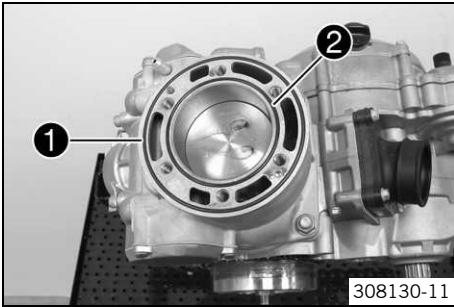


- Position the gasket.
- Position both covers.
- Mount and tighten screws ⑩ and ⑪.

Guideline

Screw, exhaust control cover	M5	6 Nm (4.4 lbf ft)
------------------------------	----	-------------------

18.5.23 Installing the cylinder head



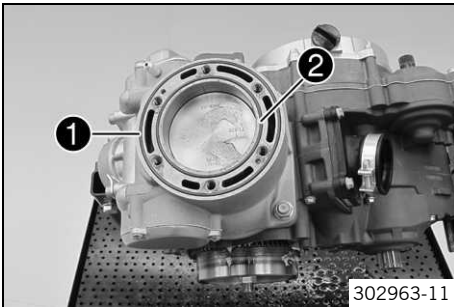
(All 250 models)

- Mount O-rings ① and ②.



Info

Ensure that the dowels are seated correctly.



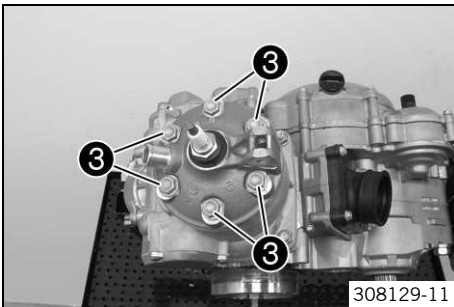
(All 300 models)

- Mount O-rings ① and ②.



Info

Ensure that the dowels are seated correctly.



- Put the cylinder head in place. Mount screws ③ with the washers and tighten them in a crisscross pattern.

Guideline

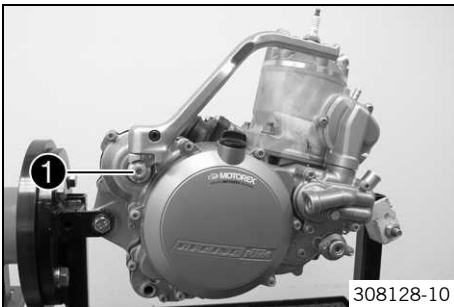
Screw, cylinder head	M8	27 Nm (19.9 lbf ft)
----------------------	----	------------------------



Info

Use new washers.

18.5.24 Installing the kick starter

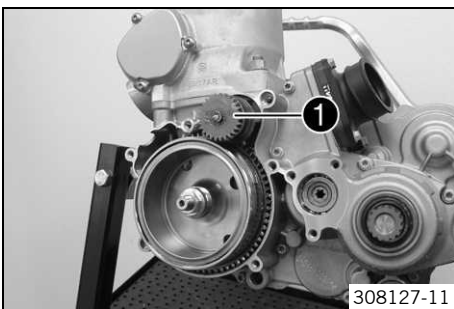


- Position the kick starter. Mount and tighten screw ①.

Guideline

Screw, kick starter	M8	25 Nm (18.4 lbf ft)	Loctite® 243™
---------------------	----	------------------------	---------------

18.5.25 Installing the starter motor



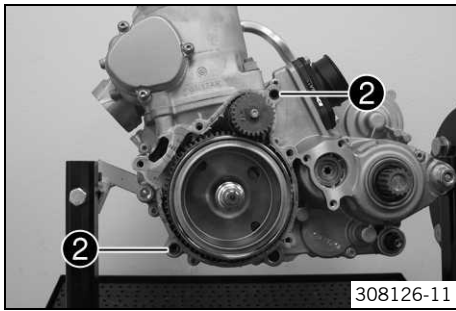
Preparatory work

- Check the electric starter drive. (☞ p. 169)

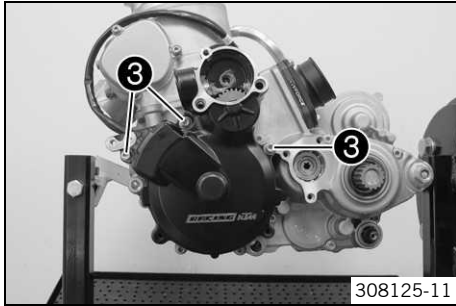
Main work

- Grease and mount Bendix ①.

Lubricant (T625) (☞ p. 270)



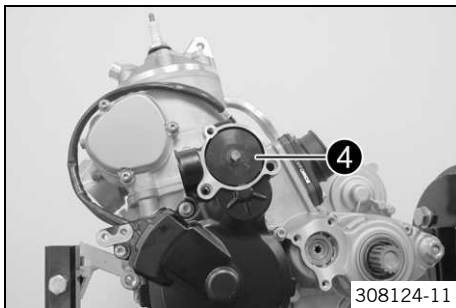
- Mount dowels ②.
- Position the gasket.



- Position the alternator cover.
- Mount and tighten screw ③.

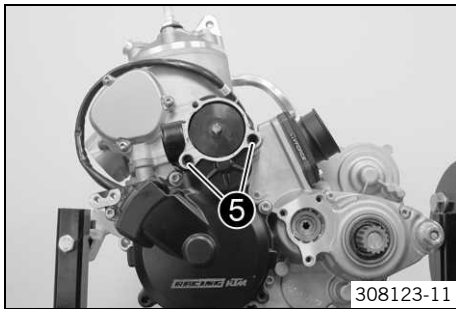
Guideline

Screw, alternator cover	M6	8 Nm (5.9 lbf ft)
-------------------------	----	-------------------

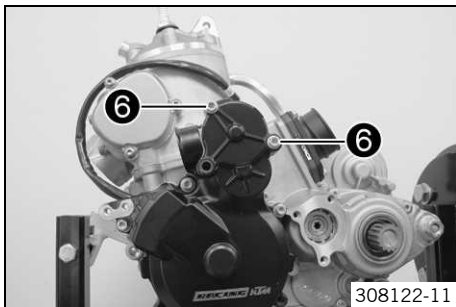


- Grease and mount starter idler gear ④.

Lubricant (T625) (☛ p. 270)



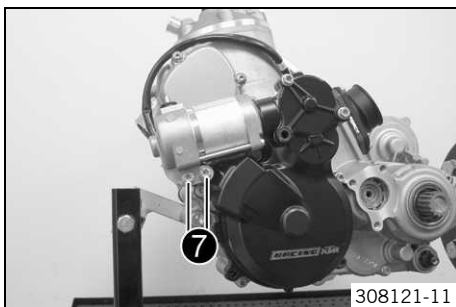
- Mount dowels ⑤.
- Position the gasket.



- Position the cover.
- Mount and tighten screws ⑥.

Guideline

Screw, alternator cover	M6	8 Nm (5.9 lbf ft)
-------------------------	----	-------------------



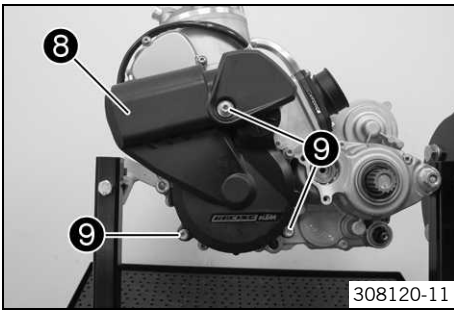
- Grease the O-ring. Position the starter motor.

Long-life grease (☛ p. 270)

- Mount and tighten screws ⑦.

Guideline

Screw, starter motor	M6	8 Nm (5.9 lbf ft)
----------------------	----	-------------------

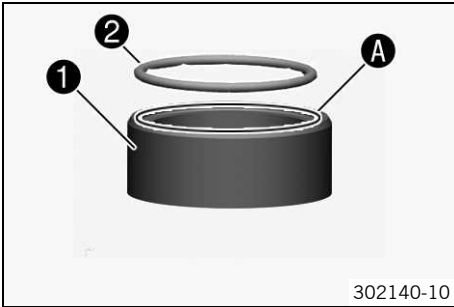


- Position cover **8**.
- Mount and tighten screws **9**.

Guideline

Screw, alternator cover	M6	8 Nm (5.9 lbf ft)
-------------------------	----	-------------------

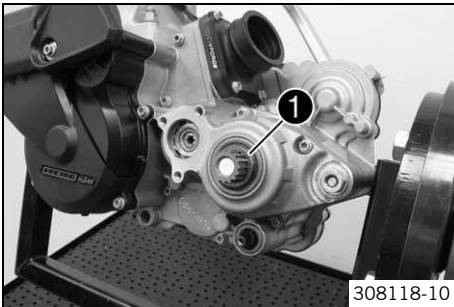
18.5.26 Installing the spacer



- Before mounting, grease spacer **1** in area **A** and O-Ring **2**.

Long-life grease (☛ p. 270)

- Position the O-ring in the cut-out of the spacer.

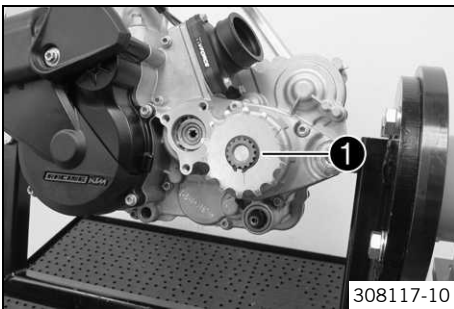


- Grease the shaft seal ring.

Long-life grease (☛ p. 270)

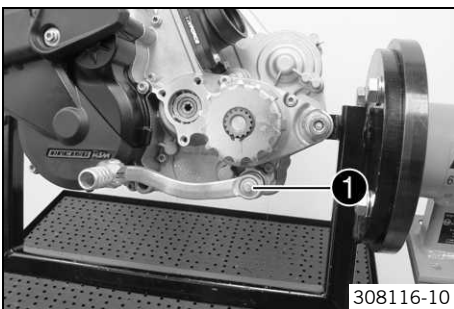
- Push spacer **1** with the O-ring onto the countershaft with a twisting motion.
 - ✓ The cut-out with the O-ring must face inward.
 - ✓ The shaft seal ring rests against the spacer along the entire circumference.

18.5.27 Installing the engine sprocket



- Slide on the engine sprocket with the collar facing the engine. Mount lock ring **1**.

18.5.28 Installing the shift lever

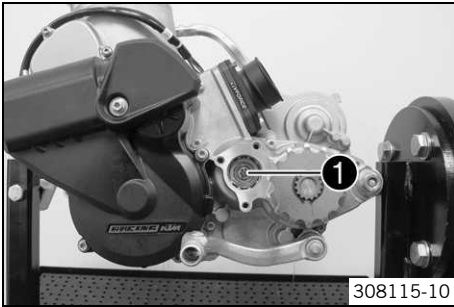


- Position the shift lever. Mount and tighten screw **1** with the washers.

Guideline

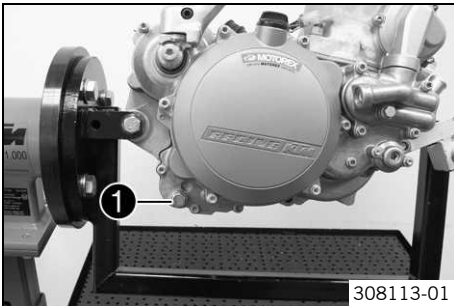
Screw, shift lever	M6	14 Nm (10.3 lbf ft)	Loctite® 243™
--------------------	----	---------------------	---------------

18.5.29 Installing the clutch push rod



- Mount clutch push rod ❶.

18.5.30 Installing the gear oil drain plug



- Mount and tighten the gear oil drain plug ❶ with the magnet and the new seal ring. Guideline

Gear oil drain plug with magnet	M12x1.5	20 Nm (14.8 lbf ft)
---------------------------------	---------	------------------------

- Activate the kick starter several times to check whether the engine turns over freely.

18.5.31 Removing the engine from the work stand

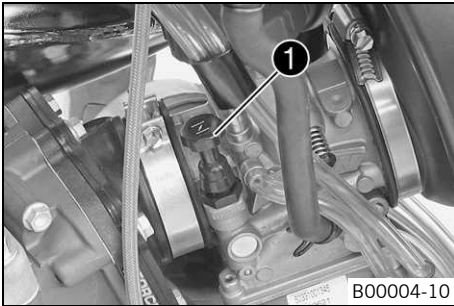


- Remove the screw connection from the special tool.

Engine fixing arm (56029002030) (☛ p. 274)
--

- Remove the engine from the work stand.

19.1 Choke



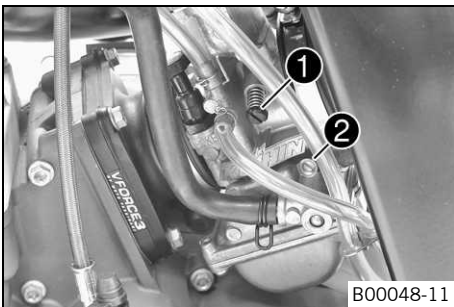
The choke lever ❶ is fitted on the left side of the carburetor. Activating the choke function frees an opening in the carburetor through which the engine can draw extra fuel. This creates a richer fuel-air mixture, as is required for a cold start.

i Info
If the engine is warm, the choke function must be deactivated.

Possible states

- Choke function activated – The choke lever is pulled out all the way.
- Choke function deactivated – The choke lever is pushed in all the way.

19.2 Carburetor - adjusting the idle speed



- Screw in idle air adjusting screw ❷ all the way and turn it to the specified basic position.

Guideline

Idle air adjusting screw (all 250/300 XC-W)	
Open	2.0 turns
Idle air adjusting screw (250/300 EXC AUS)	
Open	3.5 turns
Idle air adjusting screw (250 EXC EU, 250 EXC SIX DAYS EU)	
Open	1.5 turns
Idle air adjusting screw (300 EXC EU, 300 EXC SIX DAYS EU)	
Open	1.75 turns

- Run the engine until warm.

Guideline

Warm-up time	≥ 5 min
--------------	---------

⚠ Danger
Danger of poisoning Exhaust gases are toxic and inhaling them may result in unconsciousness and/or death.

- When running the engine, always make sure there is sufficient ventilation, and do not start or run the engine in an enclosed space without an effective exhaust extraction system.

- Adjust the idle speed with adjusting screw ❶.

Guideline

Choke function deactivated – The choke lever is pushed in all the way. (☞ p. 186)	
Idle speed	1,400... 1,500 rpm

- Turn idle air adjusting screw ❷ slowly in a clockwise direction until the idle speed begins to fall.
- Note the position and turn the idle air adjusting screw slowly counterclockwise until the idle speed falls again.
- Adjust to the point between these two positions with the highest idle speed.

i Info
If there is a large engine speed rise, reduce the idle speed to a normal level and repeat the above steps.
If the procedure described here does not lead to satisfactory results, the cause may be a wrongly dimensioned idling jet.
If you can turn the idle air adjusting screw to the end without any change of engine speed, you need to install a smaller idling jet.
After changing the idling jet, repeat the adjusting steps from the beginning. Following extreme air temperature or altitude changes, adjust the idle speed again.

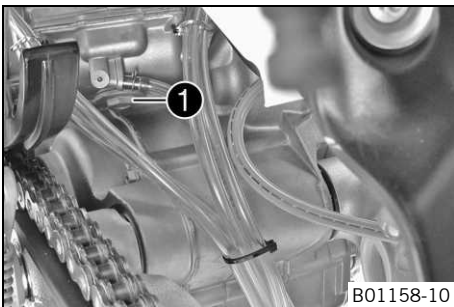
19.3 Emptying the carburetor float chamber

- Danger**
Fire hazard Fuel is highly flammable.
- Never refuel the vehicle near open flames or burning cigarettes, and always switch off the engine first. Be careful that no fuel is spilt, especially on hot vehicle components. Clean up spilt fuel immediately.
 - The fuel in the fuel tank expands when warm and may emerge if overfilled. Follow the instructions on refueling.

- Warning**
Danger of poisoning Fuel is poisonous and a health hazard.
- Fuel must not come into contact with the skin, eyes, or clothing. Do not breathe in the fuel vapors. If contact occurs with the eyes, rinse with water immediately and contact a physician. Immediately clean contaminated areas on the skin with soap and water. If fuel is swallowed, contact a physician immediately. Change clothing that is contaminated with fuel. Store fuel properly in a suitable canister and keep away from children.

- Warning**
Environmental hazard Improper handling of fuel is a danger to the environment.
- Do not allow fuel to get into the ground water, the ground, or the sewage system.

- Info**
Carry out this work with a cold engine.
Water in the float chamber results in malfunctioning.

**Preparatory work**

- Turn handle ❶ of the fuel tap to the **OFF** position.
- ✓ Fuel no longer flows from the fuel tank to the carburetor.

Main work

- Place a cloth beneath the carburetor to soak up emerging fuel.
- Remove plug ❶.
- Completely drain the fuel.
- Mount and tighten the plug.

19.4 Removing the carburetor

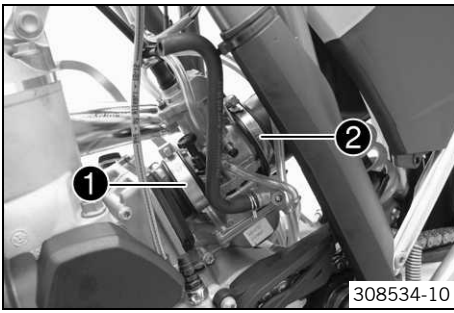
- Danger**
Fire hazard Fuel is highly flammable.
- Never refuel the vehicle near open flames or burning cigarettes, and always switch off the engine first. Be careful that no fuel is spilt, especially on hot vehicle components. Clean up spilt fuel immediately.
 - The fuel in the fuel tank expands when warm and may emerge if overfilled. Follow the instructions on refueling.

- Warning**
Danger of poisoning Fuel is poisonous and a health hazard.
- Fuel must not come into contact with the skin, eyes, or clothing. Do not breathe in the fuel vapors. If contact occurs with the eyes, rinse with water immediately and contact a physician. Immediately clean contaminated areas on the skin with soap and water. If fuel is swallowed, contact a physician immediately. Change clothing that is contaminated with fuel. Store fuel properly in a suitable canister and keep away from children.

- Warning**
Environmental hazard Improper handling of fuel is a danger to the environment.
- Do not allow fuel to get into the ground water, the ground, or the sewage system.

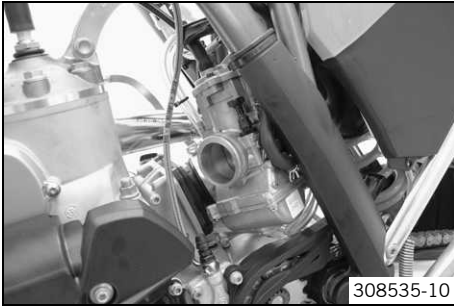
Preparatory work

- Remove the seat. (☛ p. 85)
- Remove the fuel tank. (☛ p. 86)

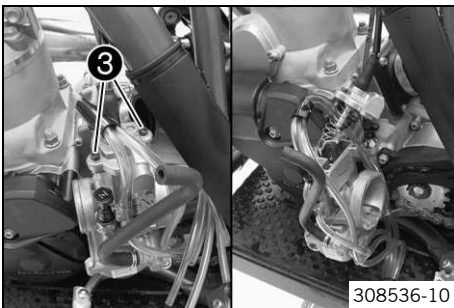


Main work

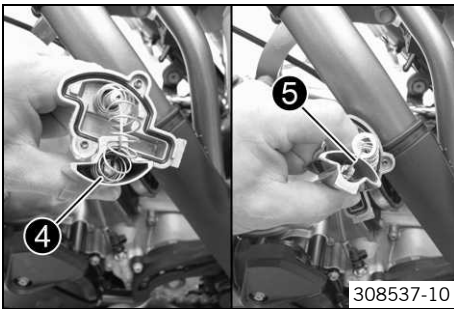
- Loosen hose clip ①.
- Loosen hose clip ②.
- Pull the carburetor out of the intake flange toward the rear.



- Pull the carburetor forward out of the intake flange.

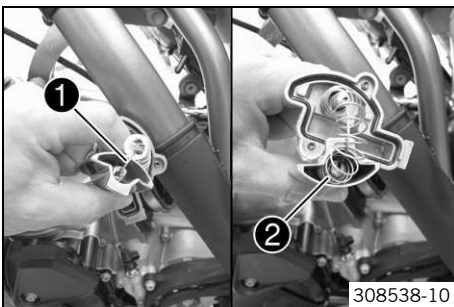


- Remove screws ③.
- Remove the throttle slide cover and pull the throttle slide out of the carburetor.
- Drain the remaining fuel.



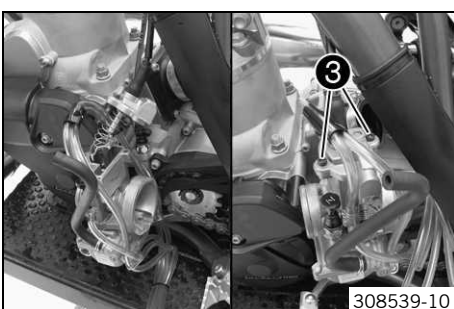
- Pull back the throttle slide spring and plastic lock ④.
- Detach throttle cable ⑤.
- Remove the throttle slide.

19.5 Installing the carburetor



Main work

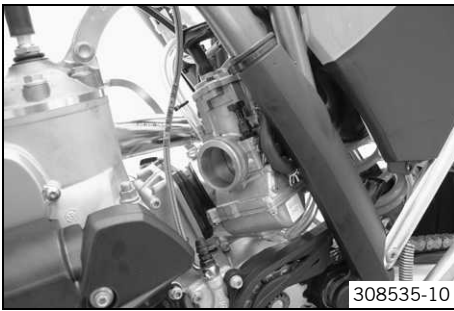
- Attach throttle cable ①.
- Position plastic retainer ②.
- ✓ The catch of the plastic retainer engages in the cut-out of the jet needle screw.



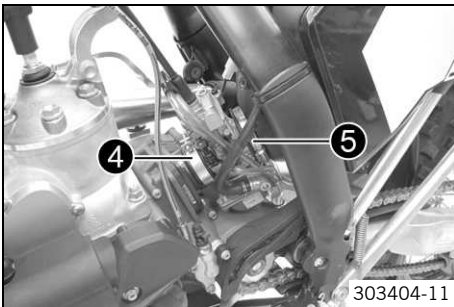
- Position the throttle slide and throttle slide cover.
- Mount and tighten screws ③.

Guideline

Screw, throttle slide cover	M5	3 Nm (2.2 lbf ft)
-----------------------------	----	-------------------



- Position the carburetor on the intake flange.



- Position the carburetor on the intake flange.
- Position and tighten hose clip ④.
- Position and tighten hose clip ⑤.

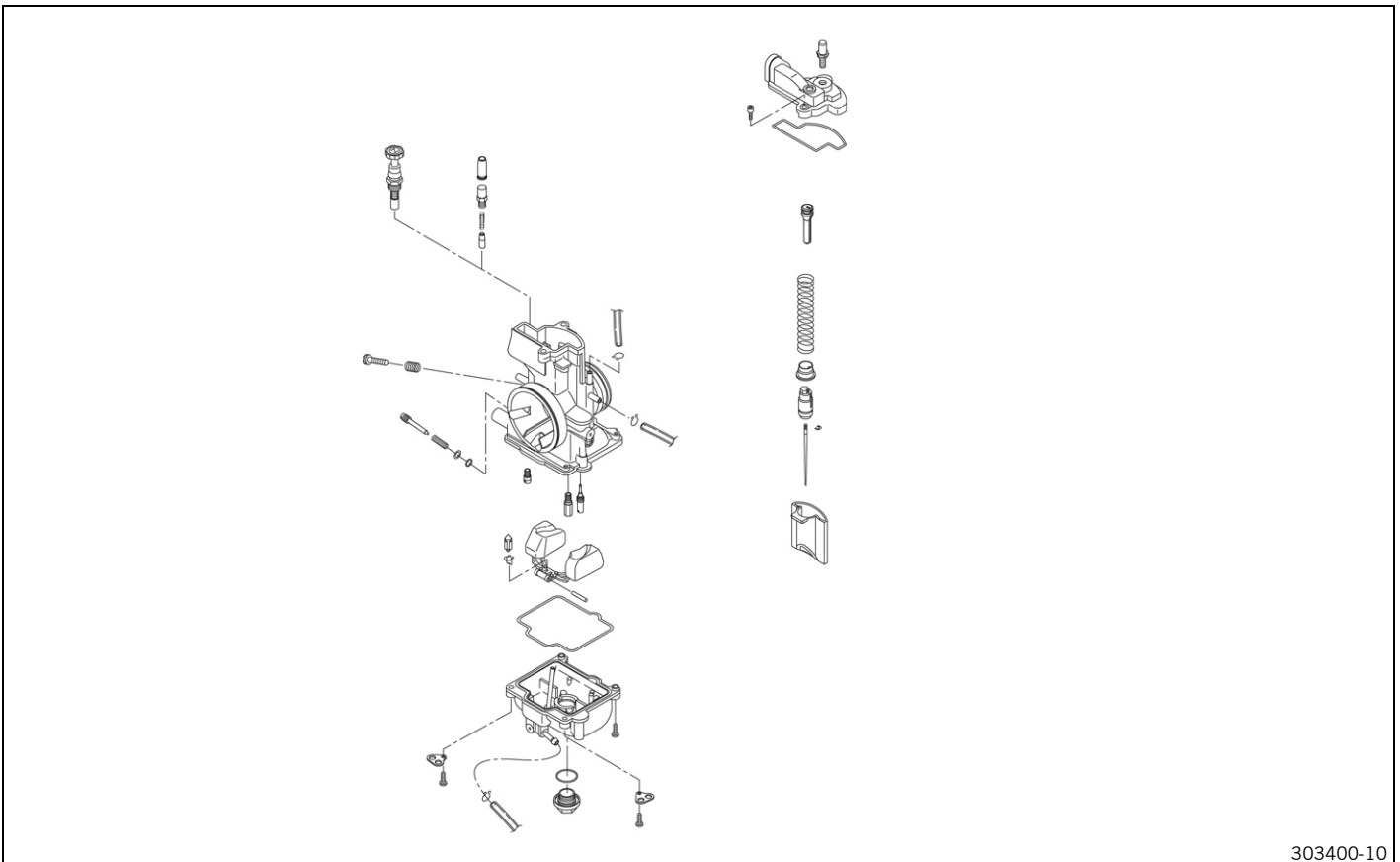
Finishing work

- Install the fuel tank. (☛ p. 87)
- Mount the seat. (☛ p. 86)
- Check the play in the throttle cable. (☛ p. 55)
- Carburetor - adjust the idle speed. (☛ p. 186)

19.6 Checking/adjusting the carburetor components

Condition

The carburetor has been removed.



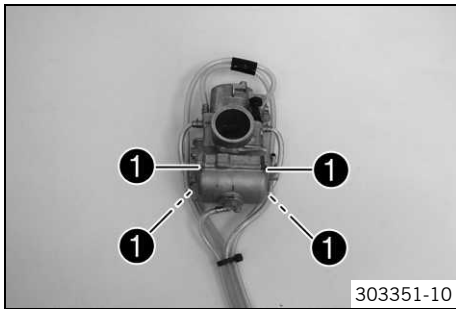
- Disassemble the carburetor. (☛ p. 190)
- Check the choke slide. (☛ p. 191)
- Check the jet needle. (☛ p. 191)
- Check the throttle slide. (☛ p. 191)

- Check the float needle valve. (☛ p. 192)
- Assemble the carburetor. (☛ p. 192)

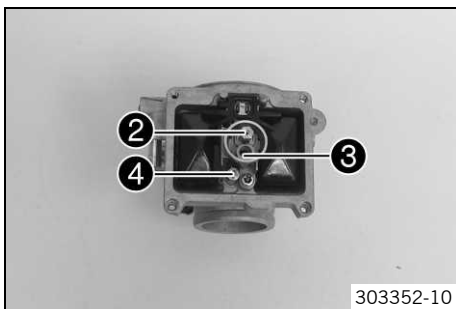
19.7 Disassembling the carburetor

Condition

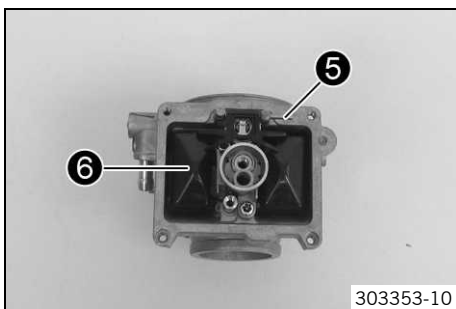
The carburetor has been removed.



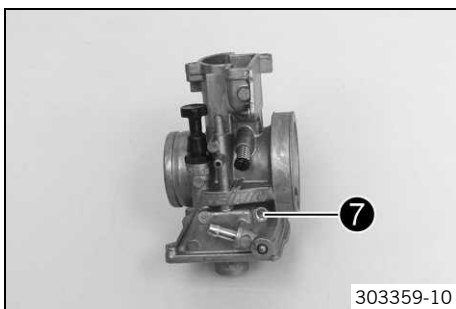
- Remove screws ①.
- Remove the float chamber.
- Pull the hoses off of the carburetor.



- Remove main jet ②.
- Remove idling jet ③.
- Remove cold start jet ④.



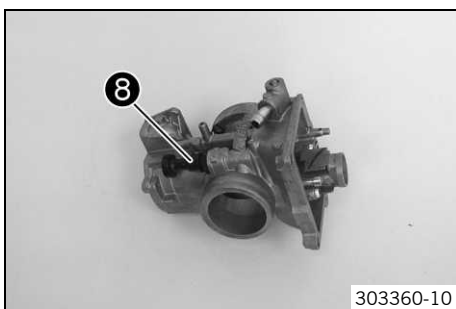
- Remove fulcrum pin ⑤.
- Remove float ⑥ and the float needle valve.



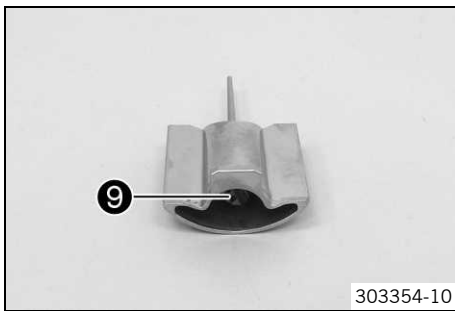
- Note the setting of the idle air adjusting screw ⑦.
- Remove the idle air adjusting screw with the O-ring.

i Info

Make sure not to misplace the spring.



- Remove choke slide ⑧.



- Remove needle screw cap 9.
- Pull the jet needle out of the throttle slide.

19.8 Checking the choke slide

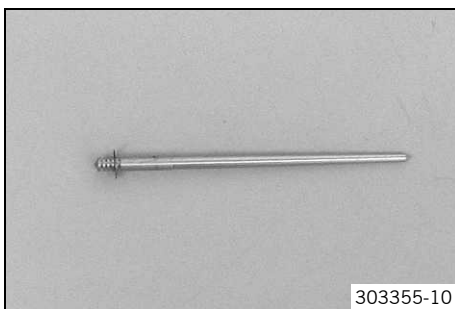


Condition

The choke slide has been removed.

- Check the choke slide for smooth operation.
 - » If the choke slide is difficult to move or is dirty:
 - Clean the choke slide and check its activation.
- Check the piston of the choke slide for damage and wear.
 - » If the piston of the choke slide is damaged or worn:
 - Change the choke slide.
- Check the rubber sleeve and lock.
 - » If the rubber sleeve is damaged or brittle, or if the lock is not functioning:
 - Change the choke slide.

19.9 Checking the jet needle

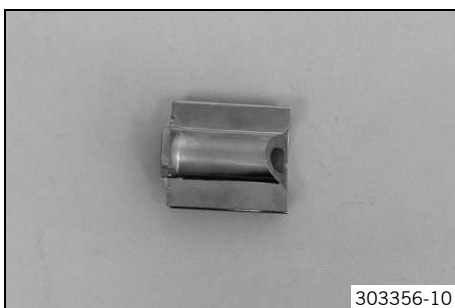


Condition

The jet needle has been removed.

- Check the jet needle for bending and wear of the coating.
 - » If the jet needle is bent, or the coating is damaged or worn:
 - Change the jet needle.
- Check the needle clip for tightness.
 - » If the needle clip is loose:
 - Change the needle clip or jet needle.

19.10 Checking the throttle slide

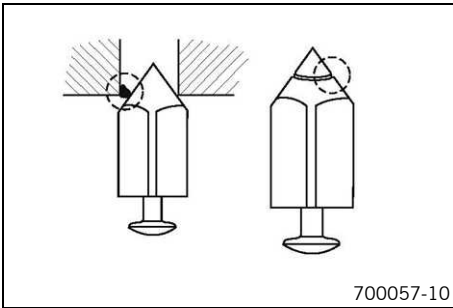


Condition

The throttle slide has been removed.

- Check the throttle slide for damage and wear.
 - » If the throttle slide is damaged or worn:
 - Change the throttle slide.
- Check the coating of the throttle slide for damage and wear.
 - » If the coating is broken or worn:
 - Change the throttle slide.

19.11 Checking the float needle valve



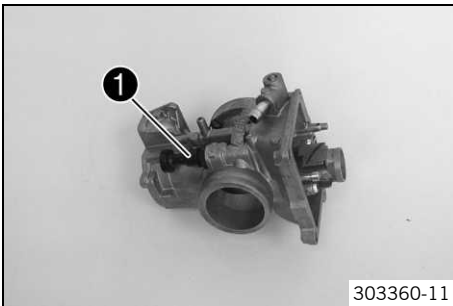
700057-10

Condition

The float needle valve has been removed.

- Check the float needle valve including the valve seat for deposits.
 - » If there are deposits:
 - Clean the valve seat. Clean or change the float needle valve.
- Check the float needle valve for wear and the sealing area for notches.
 - » If the sealing area is damaged or worn:
 - Change the float needle valve.

19.12 Assembling the carburetor

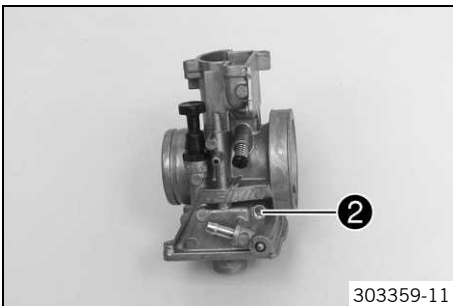


303360-11

- Mount and tighten choke slide ①.

Guideline

Choke slide	M10	5 Nm (3.7 lbf ft)
-------------	-----	-------------------



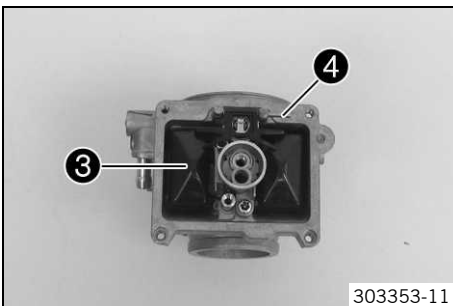
303359-11

Alternative 1

- Mount idle air adjusting screw ② with the spring and O-ring.
- Set the idle air adjusting screw to the specified value.

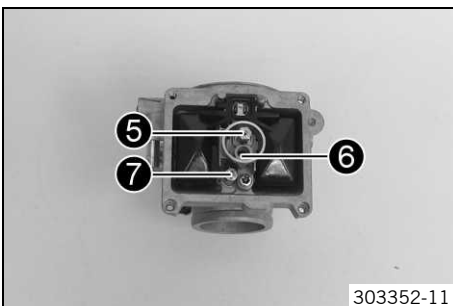
Alternative 2

- Set the idle air adjusting screw to the value determined when it was disassembled.



303353-11

- Position the float needle valve and float ③.
- Mount fulcrum pin ④.



303352-11

- Mount and tighten main jet ⑤.

Guideline

Main jet	M5x0.75	2 Nm (1.5 lbf ft)
----------	---------	-------------------

- Mount and tighten idling jet ⑥.

Guideline

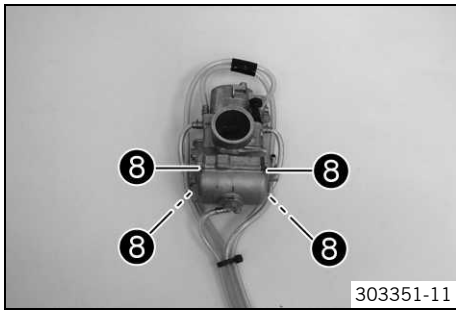
Idling jet	M5	2 Nm (1.5 lbf ft)
------------	----	-------------------

- Mount and tighten cold start jet ⑦.

Guideline

Cold start jet	M5	2 Nm (1.5 lbf ft)
----------------	----	-------------------

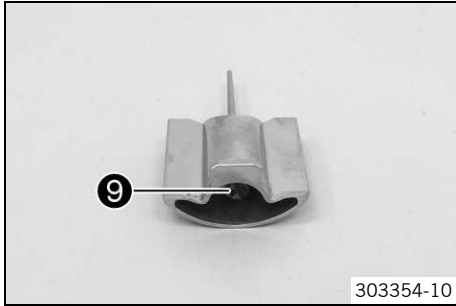
- Check/adjust the float level. (☛ p. 193)



- Mount the hoses on the carburetor.
- Position the float chamber.
- Mount and tighten screws 8.

Guideline

Other screws, carburetor	M4	2 Nm (1.5 lbf ft)
--------------------------	----	-------------------



- Position the jet needle in the throttle slide.
- Mount and tighten needle screw cap 9.

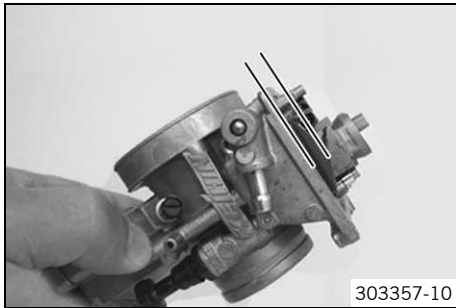
Guideline

Needle screw cap	M8	3.5 Nm (2.58 lbf ft)
------------------	----	-------------------------

19.13 Checking/adjusting the float level

Condition

The carburetor and float chamber have been removed.



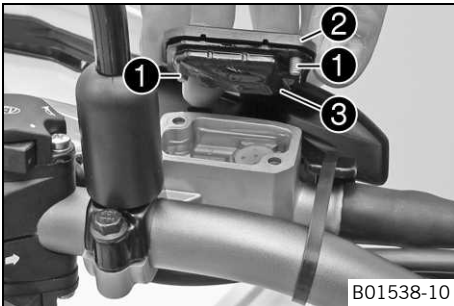
- Tilt the carburetor sideways, preventing the fulcrum pin from falling out.
- Tilt the carburetor until the float is resting against the float needle valve, but the float needle valve is not being pressed together.

60°

- » If the edge of the float is not parallel (max. 1° deviation upwards) to the sealing area of the float housing in this position:
 - Adjust the float level by bending the float lever.

20.1 Checking/correcting the fluid level of the hydraulic clutch

i Info
The fluid level rises with increasing wear of the clutch lining discs.



- Move the clutch fluid reservoir mounted on the handlebar to a horizontal position.
- Remove screws ①.
- Remove cover ② with membrane ③.
- Check the fluid level.

Fluid level under top edge of container	4 mm (0.16 in)
---	----------------

- » If the level of the fluid does not meet specifications:
 - Correct the fluid level of the hydraulic clutch.

Brake fluid DOT 4 / DOT 5.1 (☛ p. 268)
--

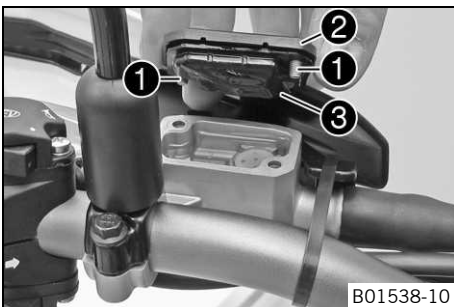
- Position the cover with the membrane. Mount and tighten the screws.

i Info
Wash off overflowed or spilled brake fluid immediately with water.

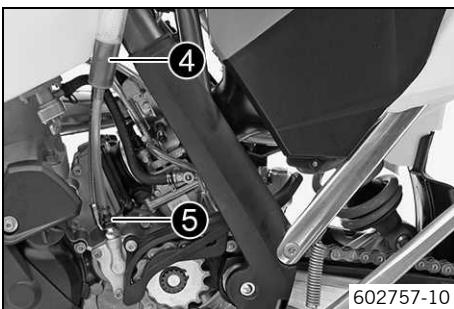
20.2 Changing the hydraulic clutch fluid

Warning
Environmental hazard Hazardous substances cause environmental damage.

- Oil, grease, filters, fuel, cleaners, brake fluid, etc., should be disposed of as stipulated in applicable regulations.



- Move the clutch fluid reservoir mounted on the handlebar to a horizontal position.
- Remove screws ①.
- Remove cover ② with membrane ③.

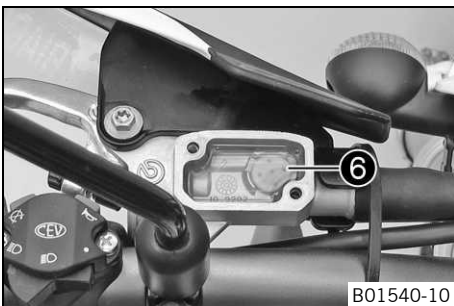


- Fill bleeding syringe ④ with the appropriate hydraulic fluid.

Bleed syringe (50329050000) (☛ p. 273)
--

Brake fluid DOT 4 / DOT 5.1 (☛ p. 268)
--

- On the slave cylinder of the clutch, remove bleeder screw ⑤ and mount bleeding syringe ④.



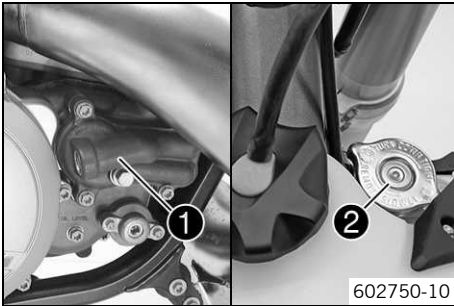
- Inject the liquid into the system until it escapes from hole ⑥ of the master cylinder without bubbles.
- To prevent overflow, drain fluid occasionally from the master cylinder reservoir.
- Remove the bleeding syringe. Mount and tighten the bleeder screw.
- Correct the fluid level of the hydraulic clutch.

Guideline

Fluid level under top edge of container	4 mm (0.16 in)
---	----------------

- Position the cover with the membrane. Mount and tighten the screws.

21.1 Cooling system



Water pump ① in the engine circulates the coolant. The pressure resulting from the warming of the cooling system is regulated by a valve in radiator cap ②. This ensures that operating the vehicle at the specified coolant temperature will not result in a risk of malfunctions.

120 °C (248 °F)

Cooling is effected by the air stream. The lower the speed, the less the cooling effect. Dirty cooling fins also reduce the cooling effect.

21.2 Checking the antifreeze and coolant level



Warning

Danger of scalding During motorcycle operation, the coolant gets very hot and is under pressure.

- Do not remove the radiator cap, radiator hoses or other cooling system components when the engine is hot. Allow the engine and cooling system to cool down. In case of scalding, rinse immediately with lukewarm water.



Warning

Danger of poisoning Coolant is poisonous and a health hazard.

- Coolant must not come into contact with the skin, eyes, or clothing. If contact occurs with the eyes, rinse with water immediately and contact a physician. Immediately clean contaminated areas on the skin with soap and water. If coolant is swallowed, contact a physician immediately. Change clothing that is contaminated with coolant. Keep coolant out of reach of children.

Condition

The engine is cold.

- Stand the motorcycle upright on a horizontal surface.
- Remove the radiator cap.
- Check the coolant antifreeze.

-25... -45 °C (-13... -49 °F)

» If the coolant antifreeze does not meet specifications:

- Correct the coolant antifreeze.

- Check the coolant level in the radiator.

Coolant level ① above the radiator fins.	10 mm (0.39 in)
--	-----------------

» If the level of the coolant does not meet specifications:

- Correct the coolant level.

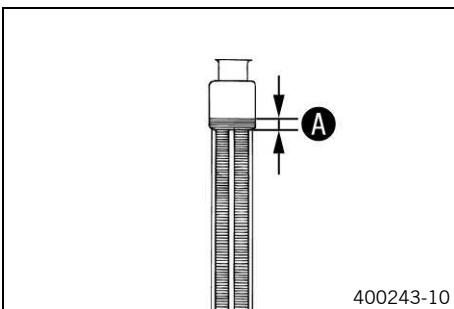
Alternative 1

Coolant (☞ p. 268)

Alternative 2

Coolant (mixed ready to use) (☞ p. 268)

- Mount the radiator cap.



21.3 Checking the coolant level



Warning

Danger of scalding During motorcycle operation, the coolant gets very hot and is under pressure.

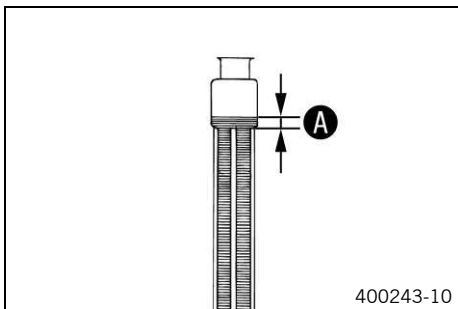
- Do not remove the radiator cap, radiator hoses or other cooling system components when the engine is hot. Allow the engine and cooling system to cool down. In case of scalding, rinse immediately with lukewarm water.



Warning

Danger of poisoning Coolant is poisonous and a health hazard.

- Coolant must not come into contact with the skin, eyes, or clothing. If contact occurs with the eyes, rinse with water immediately and contact a physician. Immediately clean contaminated areas on the skin with soap and water. If coolant is swallowed, contact a physician immediately. Change clothing that is contaminated with coolant. Keep coolant out of reach of children.



Condition

The engine is cold.

- Stand the motorcycle upright on a horizontal surface.
- Remove the radiator cap.
- Check the coolant level in the radiator.

Coolant level A above the radiator fins.	10 mm (0.39 in)
---	-----------------

» If the level of the coolant does not meet specifications:

- Correct the coolant level.

Alternative 1

Coolant (☛ p. 268)

Alternative 2

Coolant (mixed ready to use) (☛ p. 268)

- Mount the radiator cap.

21.4 Draining the coolant



Warning

Danger of scalding During motorcycle operation, the coolant gets very hot and is under pressure.

- Do not remove the radiator cap, radiator hoses or other cooling system components when the engine is hot. Allow the engine and cooling system to cool down. In case of scalding, rinse immediately with lukewarm water.



Warning

Danger of poisoning Coolant is poisonous and a health hazard.

- Coolant must not come into contact with the skin, eyes, or clothing. If contact occurs with the eyes, rinse with water immediately and contact a physician. Immediately clean contaminated areas on the skin with soap and water. If coolant is swallowed, contact a physician immediately. Change clothing that is contaminated with coolant. Keep coolant out of reach of children.

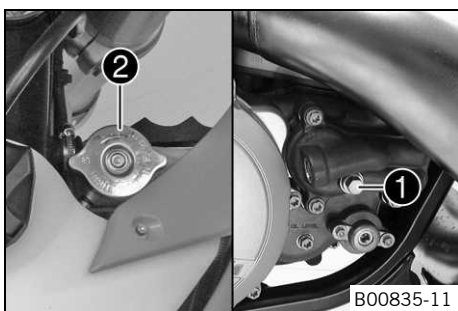
Condition

The engine is cold.

- Position the motorcycle upright.
- Place a suitable container under the water pump cover.
- Remove screw **1**. Take off radiator cap **2**.
- Completely drain the coolant.
- Mount and tighten screw **1** with a new seal ring.

Guideline

Drain plug, water pump cover	M10x1	15 Nm (11.1 lbf ft)
------------------------------	-------	------------------------



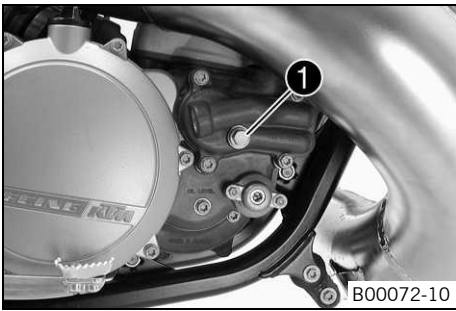
21.5 Refilling with coolant



Warning

Danger of poisoning Coolant is poisonous and a health hazard.

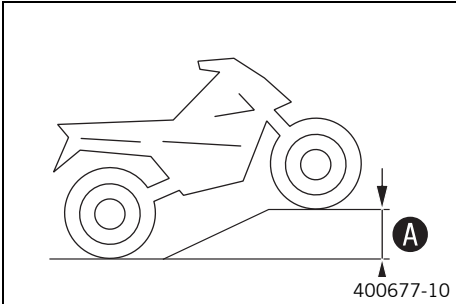
- Coolant must not come into contact with the skin, eyes, or clothing. If contact occurs with the eyes, rinse with water immediately and contact a physician. Immediately clean contaminated areas on the skin with soap and water. If coolant is swallowed, contact a physician immediately. Change clothing that is contaminated with coolant. Keep coolant out of reach of children.



B00072-10

- Make sure that screw 1 is tightened.
- Position the motorcycle upright.
- Fill the radiator completely with coolant.

Coolant	1.2 l (1.3 qt.)	Coolant (☛ p. 268)
		Coolant (mixed ready to use) (☛ p. 268)



400677-10

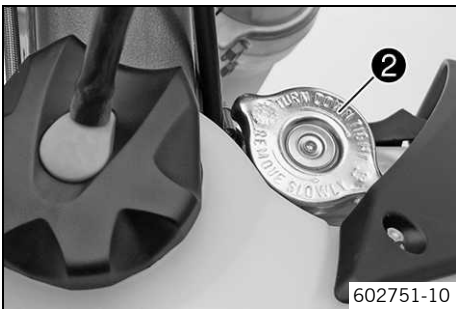
- Position the vehicle as shown and secure it against rolling away. A height difference of A must be reached.

Guideline

Height difference A	75 cm (29.5 in)
---------------------	-----------------

i Info

To ensure that all of the air can escape from the cooling system, the front of the vehicle must be jacked up. A poorly bled cooling system is less effective at cooling and may result in overheating of the engine.



602751-10

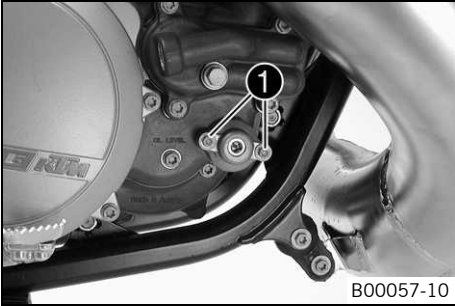
- Place the vehicle back on a level surface.
- Fill the radiator completely with coolant.
- Mount radiator cap 2.
- Run the engine until it is warm.

Finishing work

- Check the coolant level. (☛ p. 195)

22.1 Engine characteristic - setting the auxiliary spring

- Warning**
Danger of burns Some vehicle components become very hot when the vehicle is operated.
- Do not touch hot components such as exhaust system, radiator, engine, shock absorber, and the brake system. Allow these components to cool down before starting work on them.

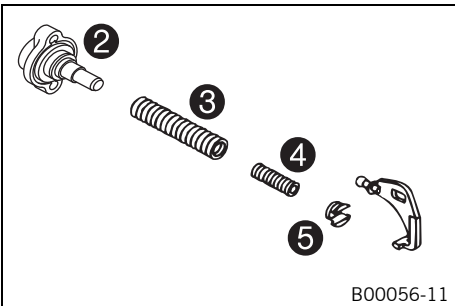


Preparatory work

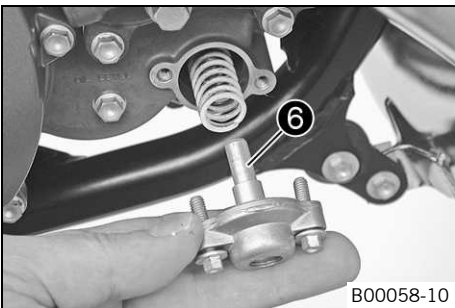
- Tilt the motorcycle approx. 45° to the left and secure it to prevent it from falling.

Main work

- Remove screws 1.



- Take cap 2, adjusting spring 3, auxiliary spring 4, and spring insert 5 out of the clutch cover.
- Pull both springs off of the spring insert.



- Mount the required auxiliary spring 4 and adjusting spring 3 and slide them into the clutch cover together.

Auxiliary spring with yellow marking (54637072300)
Auxiliary spring with green marking (54837072100)
Auxiliary spring with red marking (54837072000)

✓ The recess in spring insert 5 engages in the angle lever.

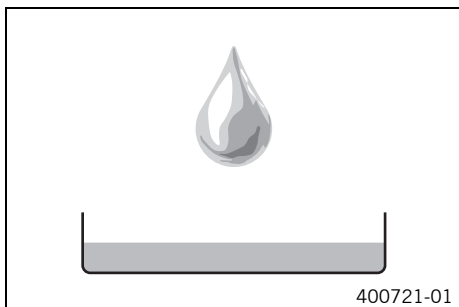
Info
 Screw 6 must not be turned as this would worsen the engine characteristic.

- Check the O-ring in the cap.
- Position the cap.
- Mount and tighten the screws.

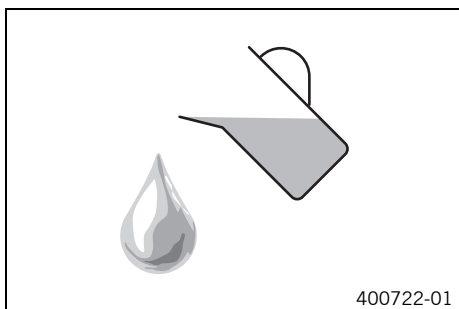
Guideline

Screw, exhaust control cover	M5	6 Nm (4.4 lbf ft)
------------------------------	----	-------------------

23.1 Changing the gear oil



- Drain the gear oil. (☛ p. 199)



- Refill with gear oil. (☛ p. 200)

23.2 Draining the gear oil



Warning

Danger of scalding Engine oil and gear oil get very hot when the motorcycle is ridden.

- Wear appropriate protective clothing and safety gloves. In case of burns, rinse immediately with lukewarm water.



Warning

Environmental hazard Hazardous substances cause environmental damage.

- Oil, grease, filters, fuel, cleaners, brake fluid, etc., should be disposed of as stipulated in applicable regulations.



Info

Only drain the gear oil while the engine is warm.

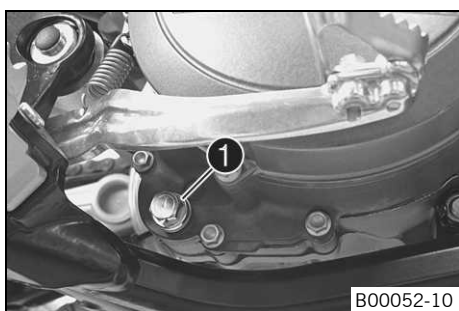
Preparatory work

- Park the motorcycle on a level surface.
- Place a suitable container under the engine.

Main work

- Remove the gear oil drain plug with magnet ❶.
- Completely drain the gear oil.
- Clean the gear oil drain plug with the magnet thoroughly.
- Clean the sealing area on the engine.
- Mount the gear oil drain plug with magnet ❶ and the seal ring and tighten.

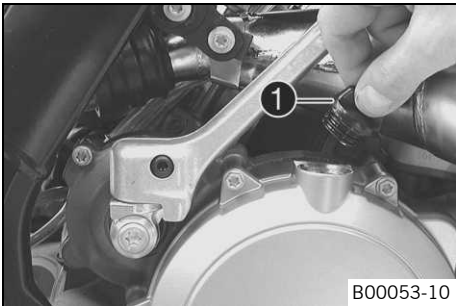
Guideline



Gear oil drain plug with magnet	M12x1.5	20 Nm (14.8 lbf ft)
---------------------------------	---------	------------------------

23.3 Refilling with gear oil

i Info
Too little gear oil or poor-quality oil results in premature wear of the transmission.



Main work

- Remove screw cap ❶ and fill up gear oil.

Gear oil	0.80 l (0.85 qt.)	Engine oil (15W/50) (☛ p. 268)
----------	-------------------	--------------------------------

- Mount and tighten the screw cap.



Danger

Danger of poisoning Exhaust gases are toxic and inhaling them may result in unconsciousness and/or death.

- When running the engine, always make sure there is sufficient ventilation, and do not start or run the engine in an enclosed space without an effective exhaust extraction system.

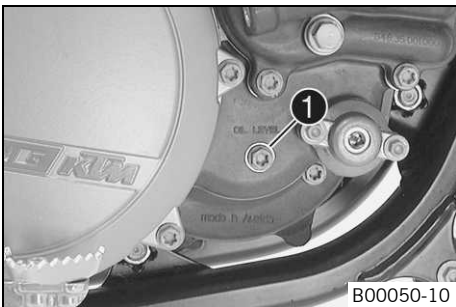
- Start the engine and check that it is oil-tight.

Finishing work

- Check the gear oil level. (☛ p. 200)

23.4 Checking the gear oil level

i Info
The gear oil level must be checked while the engine is cold.



Preparatory work

- Stand the motorcycle upright on a horizontal surface.

Main work

- Remove screw ❶ from the opening used to check the gear oil level.
- Check the gear oil level.

A small quantity of gear oil should flow out of the opening.

- » If gear oil does not flow out:
 - Add gear oil. (☛ p. 200)

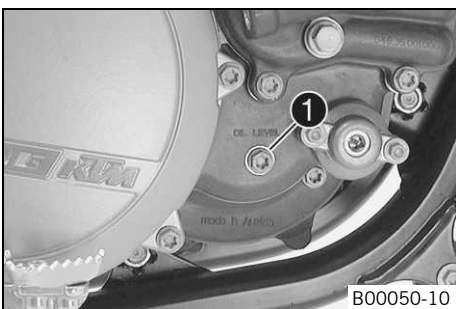
- Mount and tighten the screw in the opening used to check the gear oil level.

Guideline

Screw, gear oil level check	M6	10 Nm (7.4 lbf ft)
-----------------------------	----	--------------------

23.5 Adding gear oil

i Info
Too little gear oil or poor-quality gear oil results in premature wear of the transmission.
The gear oil must be added while the engine is cold.

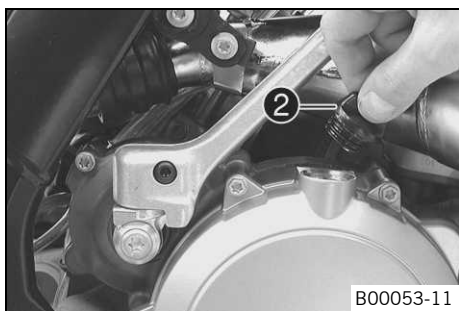


Preparatory work

- Park the motorcycle on a level surface.

Main work

- Remove screw ❶ from the opening used to check the gear oil level.



- Remove screw cap ②.
- Add gear oil until it emerges from the opening used to check the gear oil level.

Engine oil (15W/50) (☛ p. 268)

- Mount and tighten the screw in the opening used to check the gear oil level.
- Guideline

Screw, gear oil level check	M6	10 Nm (7.4 lbf ft)
-----------------------------	----	--------------------

- Mount and tighten screw cap ②.



Danger

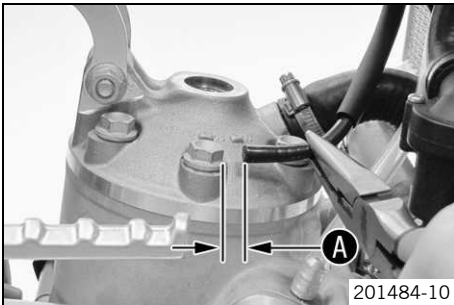
Danger of poisoning Exhaust gases are toxic and inhaling them may result in unconsciousness and/or death.

- When running the engine, always make sure there is sufficient ventilation, and do not start or run the engine in an enclosed space without an effective exhaust extraction system.

- Start the engine and check that it is oil-tight.

24.1 Checking the ignition system

- Warning**
Risk of injury The ignition system is under high voltage.
- To avoid the danger of an electric shock, do not touch metal parts and the ends of the connection cable during and immediately after measuring.



- Shift gear to neutral.
- Pull off the spark plug connector and remove the spark plug connector from the ignition wire.
- Remove the spark plug.
- Hold the free end of the ignition wire at a distance **A** from ground.

Guideline

Distance A	5 mm (0.2 in)
-------------------	---------------

- Press the kick starter forcefully through its full range.

i Info
Do not open the throttle.

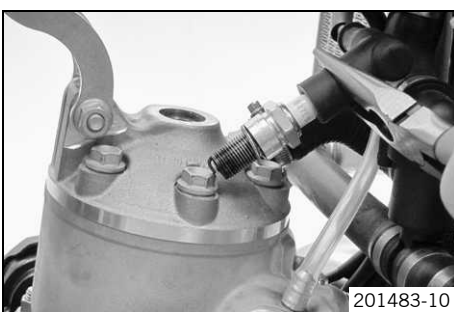
- Check the ignition spark.
 - » If no ignition spark is visible:
 - Check the emergency OFF switch.
 - Check the wiring harness to the emergency OFF switch.
 - Check the kill switch.
 - Check the ground connection of the CDI controller and ignition coil.
 - Check the cable from the CDI controller to the ignition coil.

i Info
The CDI controller cannot be tested using simple methods but only using an ignition test bench.

- Ignition coil - check the primary winding. (☞ p. 202)
- Ignition coil - check the secondary winding. (☞ p. 203)
- Check the ignition pulse generator. (☞ p. 205)
- Alternator - check the charging coil of the ignition. (☞ p. 204)
- Fit the spark plug connector on the ignition wire again. Insert the spark plug into the spark plug connector. Hold the spark plug to ground.
- Press the kick starter forcefully through its full range.

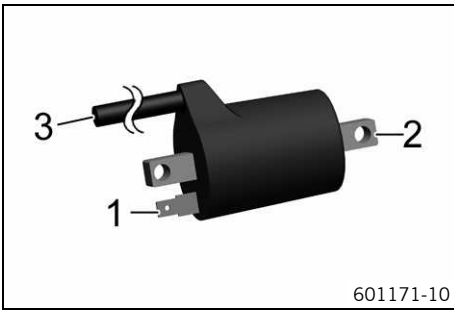
i Info
Do not open the throttle.

- Check the ignition spark.
 - » If no ignition spark is visible:
 - Check the spark plug connector. (☞ p. 203)
 - Change the spark plug.



24.2 Ignition coil - checking the primary winding

- Warning**
Risk of injury The ignition system is under high voltage.
- To avoid the danger of an electric shock, do not touch metal parts and the ends of the connection cable during and immediately after measuring.



Condition

Ignition coil cylinder 1 is disconnected.

Ignition coil cylinder 1 - check the primary winding resistance

- Measure the resistance between the specified points.
Ignition coil pin **1 (+)** – Ignition coil pin **2 (-)**

Ignition coil	
Primary winding resistance at: 20 °C (68 °F)	0.255... 0.345 Ω

- » If the displayed value does not correspond to the nominal value:
 - Change the ignition coil.

Condition

Ignition coil cylinder 1 is connected.

- Connect the special tool to the multimeter.

Peak voltage adapter (58429042000) (☞ p. 275)

Info
When using the peak voltage adapter, adjust the measuring range of the multimeter to DCV.

- Start the motorcycle for checking. (☞ p. 11)

Ignition coil cylinder 1 - check the primary winding voltage

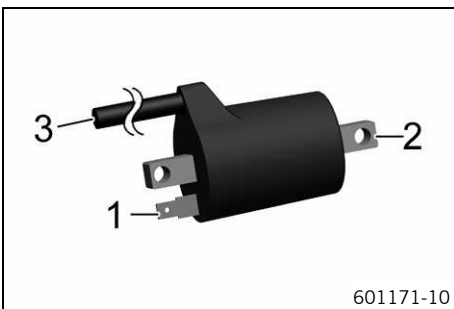
- Measure the voltage between the specified points.
Ignition coil pin **1 (+)** – Ignition coil pin **2 (-)**

Info
Connect the black measuring lead to pin **1** and the red measuring lead to pin **2** of the ignition coil.

Ignition coil	
Voltage, primary winding	150... 200 V

- » If the displayed value does not correspond to the nominal value:
 - Change the ignition coil.

24.3 Ignition coil - checking the secondary winding



Condition

Ignition coil cylinder 1 is disconnected.

Spark plug connector cylinder 1 has been removed.

Ignition coil cylinder 1 - check the secondary winding resistance

- Measure the resistance between the specified points.
Ignition coil pin **2 (-)** – Ignition coil pin **3**

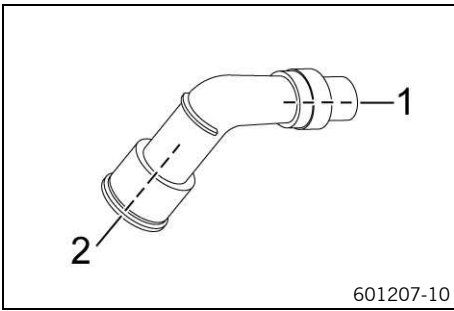
Ignition coil	
Secondary winding resistance at: 20 °C (68 °F)	5.04... 7.56 kΩ

- » If the displayed value does not correspond to the nominal value:
 - Change the ignition coil.

24.4 Checking the spark plug connector

Condition

Spark plug connector cylinder 1 has been removed.



- Ω Measure the resistance between the specified points.
Measuring point 1 – Measuring point 2

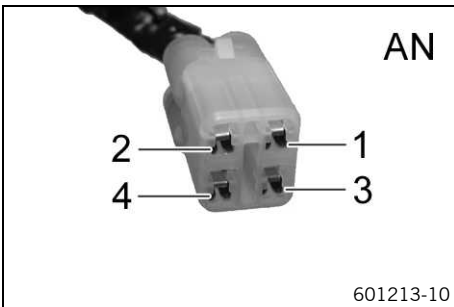
Spark plug connector	
Resistance at: 20 °C (68 °F)	4.3... 5.7 k Ω

- » If the specification is not reached:
 - Change the spark plug connector.

24.5 Alternator - checking the charging coil of the ignition

Condition

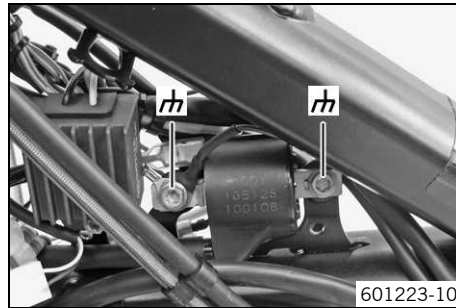
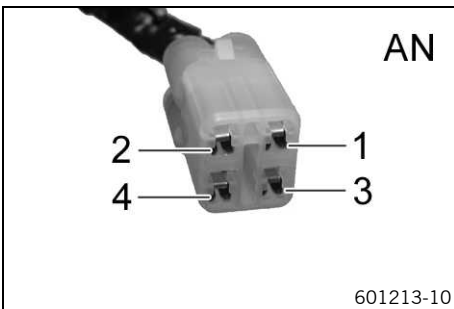
The alternator has been disconnected.



- Ω Measure the resistance between the specified points.
Alternator, charging coil/ignition pulse generator, connector **AN** pin 1 – Alternator, charging coil/ignition pulse generator, connector **AN** pin 2

Alternator	
Resistance of ignition charging coil at: 20 °C (68 °F)	12... 16.5 Ω

- » The specifications have not been met:
 - Replace the stator.



- Ω Measure the resistance between the specified points.
Alternator, charging coil/ignition pulse generator, connector **AN** pin 1 – Measuring point Ground, wiring harness/frame

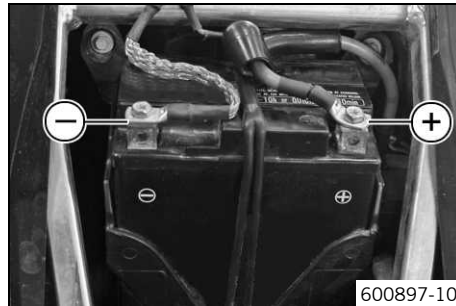
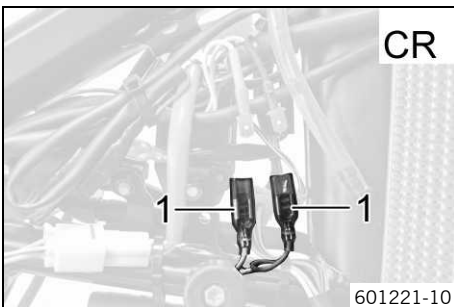
Resistance	∞ Ω
------------	-------------------

- » The specifications have not been met:
 - Replace the stator.

24.6 Alternator - checking the battery winding

Condition

The alternator has been disconnected.



- Ω Measure the resistance between the specified points.
Alternator, connector **CR** pin 1 (White) – Measuring point **Ground** (-)

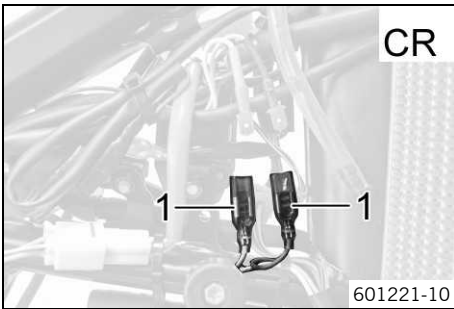
Alternator	
Battery winding resistance at: 20 °C (68 °F)	0.5... 0.9 Ω

- » The specifications have not been met:
 - Replace the stator.

24.7 Alternator - checking the light winding

Condition

The alternator has been disconnected.



- Ω Measure the resistance between the specified points.
Alternator, connector **CR** pin 1 (White) – Alternator, connector **CR** pin 1 (Yellow)

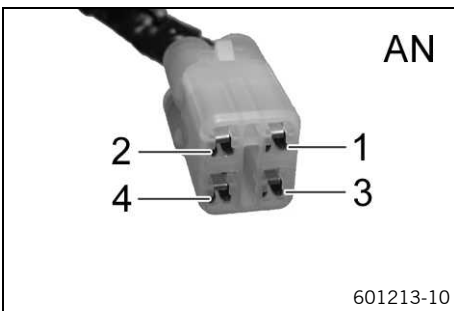
Alternator	
Light winding resistance at: 20 °C (68 °F)	0.1... 0.2 Ω

- » The specifications have not been met:
 - Replace the stator.

24.8 Checking the ignition pulse generator

Condition

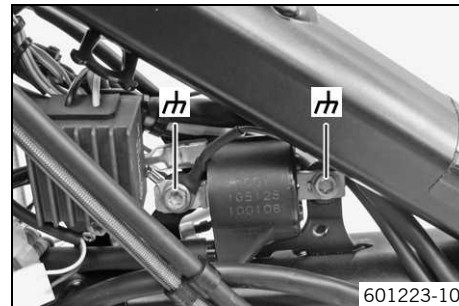
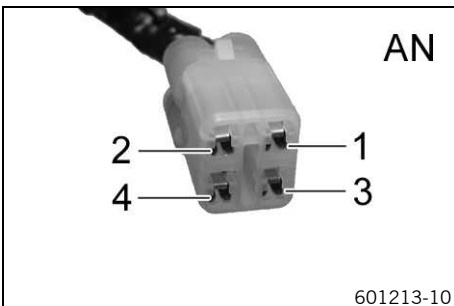
The crankshaft position sensor is disconnected.



- Ω Measure the resistance between the specified points.
Alternator, charging coil/ignition pulse generator, connector **AN** pin 3 – Alternator, charging coil/ignition pulse generator, connector **AN** pin 4

Crankshaft position sensor	
Resistance at: 20 °C (68 °F)	80... 120 Ω

- » The specifications have not been met:
 - Change the ignition pulse generator.



- Ω Measure the resistance between the specified points.
Alternator, charging coil/ignition pulse generator, connector **AN** pin 3 – Measuring point Ground, wiring harness/frame

Resistance	$\infty \Omega$
------------	-----------------

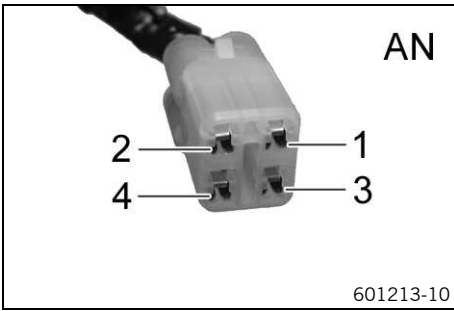
- » The specifications have not been met:
 - Change the ignition pulse generator.
- Connect the special tool to the multimeter.

Peak voltage adapter (58429042000) (☛ p. 275)

Info

When using the peak voltage adapter, adjust the measuring range of the multimeter to DCV.

- Start the motorcycle for checking. (☛ p. 11)



Check the ignition pulse generator voltage

- **V** Measure the voltage between the specified points.
 - Alternator, charging coil/ignition pulse generator, connector **AN** pin **3** – Alternator, charging coil/ignition pulse generator, connector **AN** pin **4**

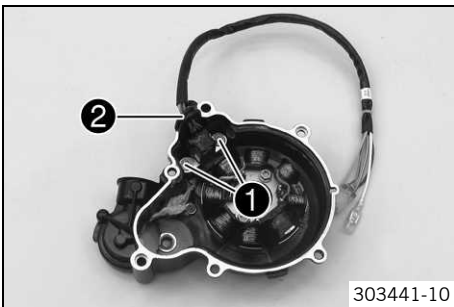
Crankshaft position sensor	
Voltage	2... 4 V

- » The specifications have not been met:
 - Change the ignition pulse generator.

24.9 Removing the stator and crankshaft position sensor

Condition

The alternator cover has been removed.



- Remove screw **1**.
- Remove cable support sleeve **2** from the alternator cover.



- Remove screw **3**.
- Remove the stator and crankshaft position sensor from the alternator cover.

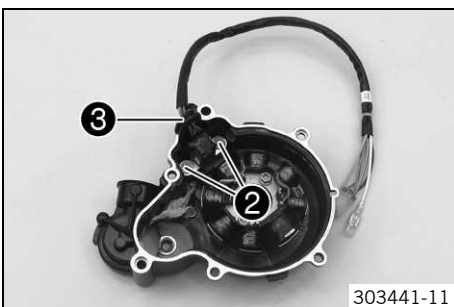
24.10 Installing the stator and crankshaft position sensor



- Position the stator in the alternator cover.
- Mount and tighten screws **1**.

Guideline

Screw, stator	M6	8 Nm (5.9 lbf ft)	Loctite® 243™
---------------	----	----------------------	---------------



- Position the crankshaft position sensor.
- Mount and tighten screws **2**.

Guideline

Screw, crankshaft position sensor	M5	6 Nm (4.4 lbf ft)	Loctite® 243™
-----------------------------------	----	----------------------	---------------

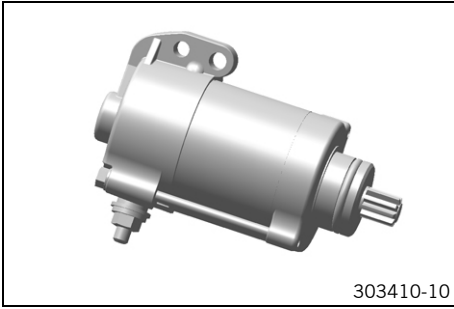
- Position cable support sleeve **3** in the alternator cover.

25.1 Checking the starter motor

Condition

The starter motor has been removed.

- Clamp the negative cable of a 12 Volt power supply to the housing of the starter motor. Connect the positive cable of the power supply briefly to the connection of the starter motor.
 - » If the starter motor does not turn over when the circuit is closed:
 - Change the starter motor.



26.1 Engine

26.1.1 All 250 models

Design	1-cylinder 2-stroke engine, water-cooled, with reed intake and exhaust control
Displacement	249 cm ³ (15.19 cu in)
Stroke	72 mm (2.83 in)
Bore	66.4 mm (2.614 in)
Exhaust valve - Beginning of adjustment	5,600 rpm
Exhaust valve - end of adjustment with red auxiliary spring	7,200 rpm
Exhaust valve - end of adjustment with yellow auxiliary spring	7,900 rpm
Exhaust valve - end of adjustment with green auxiliary spring	8,400 rpm
Crankshaft bearing	1 grooved ball bearing/1 roller bearing
Conrod bearing	Needle bearing
Piston pin bearing	Needle bearing
Pistons	Aluminum cast
Piston rings	2 half keystone rings
X (upper edge of piston to upper edge of cylinder)	0... 0.10 mm (0... 0.0039 in)
Z (height of control flap)	48 mm (1.89 in)
Primary transmission	26:72
Clutch	Multidisc clutch in oil bath/hydraulically activated
Gearbox	6-gear, claw shifted
Transmission ratio	
1st gear	14:32
2nd gear	16:26
3rd gear	20:25
4th gear	22:23
5th gear	25:22
6th gear	26:20
Ignition	Contactless controlled fully electronic ignition with digital ignition adjustment, type Kokusan
Ignition point (BTDC)	1.9 mm (0.075 in)
Spark plug	NGK BR 7 ES
Spark plug electrode gap	0.60 mm (0.0236 in)
Starting aid	Kick starter and electric starter

26.1.2 All 300 models

Design	1-cylinder 2-stroke engine, water-cooled, with reed intake and exhaust control
Displacement	293 cm ³ (17.88 cu in)
Stroke	72 mm (2.83 in)
Bore	72 mm (2.83 in)
Exhaust valve - Beginning of adjustment	5,600 rpm
Exhaust valve - end of adjustment with red auxiliary spring	7,200 rpm
Exhaust valve - end of adjustment with yellow auxiliary spring	7,900 rpm
Exhaust valve - end of adjustment with green auxiliary spring	8,400 rpm
Crankshaft bearing	1 grooved ball bearing/1 roller bearing
Conrod bearing	Needle bearing
Piston pin bearing	Needle bearing
Pistons	Aluminum cast
Piston rings	2 rectangular rings
X (upper edge of piston to upper edge of cylinder)	0... 0.10 mm (0... 0.0039 in)
Z (height of control flap)	48.5 mm (1.909 in)

Primary transmission	26:72
Clutch	Multidisc clutch in oil bath/hydraulically activated
Gearbox	6-gear, claw shifted
Transmission ratio	
1st gear	14:32
2nd gear	16:26
3rd gear	20:25
4th gear	22:23
5th gear	25:22
6th gear	26:20
Ignition	Contactless controlled fully electronic ignition with digital ignition adjustment, type Kokusan
Ignition point (BTDC)	1.9 mm (0.075 in)
Spark plug	NGK BR 7 ES
Spark plug electrode gap	0.60 mm (0.0236 in)
Starting aid	Kick starter and electric starter

26.2 Engine tolerance, wear limits

Piston - diameter (All 250 models)	
Size I	66.340... 66.350 mm (2.61181... 2.6122 in)
Size II	66.351... 66.360 mm (2.61224... 2.61259 in)
Piston - diameter (All 300 models)	
Size I	71.940... 71.950 mm (2.83228... 2.83267 in)
Size II	71.951... 71.960 mm (2.83271... 2.83307 in)
Cylinder - drill hole diameter (All 250 models)	
Size I	66.400... 66.412 mm (2.61417... 2.61464 in)
Size II	66.412... 66.425 mm (2.61464... 2.61515 in)
Cylinder - drill hole diameter (All 300 models)	
Size I	72.000... 72.012 mm (2.83464... 2.83511 in)
Size II	72.012... 72.025 mm (2.83511... 2.83562 in)
Piston/cylinder - mounting clearance (All 250 models)	
New condition	0.050... 0.074 mm (0.00197... 0.00291 in)
Wear limit	0.10 mm (0.0039 in)
Piston/cylinder - mounting clearance (All 300 models)	
New condition	0.050... 0.085 mm (0.00197... 0.00335 in)
Wear limit	0.10 mm (0.0039 in)
Piston ring - end gap	
Ring 1	≤ 0.40 mm (≤ 0.0157 in)
Ring 2	≤ 0.40 mm (≤ 0.0157 in)
Cylinder/cylinder head - distortion of sealing area	≤ 0.10 mm (≤ 0.0039 in)
Connecting rod - axial play of lower conrod bearing	0.60... 0.70 mm (0.0236... 0.0276 in)
Crankshaft - run-out at bearing pin	≤ 0.03 mm (≤ 0.0012 in)
Clutch facing disc - thickness	≥ 1.9 mm (≥ 0.075 in)
Contact surface of clutch facing discs in outer clutch hub	≤ 0.5 mm (≤ 0.02 in)
Shift shaft - sliding plate/shift quadrant clearance	0.40... 0.80 mm (0.0157... 0.0315 in)

26.3 Engine tightening torques

Screw, inner reed petals	EJOT DELTA PT® 35x25	1 Nm (0.7 lbf ft)	–
Screw, membrane core plate	EJOT DELTA PT® 30x12	1 Nm (0.7 lbf ft)	–
Screw, outer reed petals	EJOT DELTA PT® 30x6	1 Nm (0.7 lbf ft)	–
Screw, angle lever, exhaust control	M5	6 Nm (4.4 lbf ft)	Loctite® 243™
Screw, clutch spring retainer	M5	6 Nm (4.4 lbf ft)	–
Screw, crankshaft position sensor	M5	6 Nm (4.4 lbf ft)	Loctite® 243™
Screw, exhaust control cover	M5	6 Nm (4.4 lbf ft)	–
Screw, locking lever	M5	6 Nm (4.4 lbf ft)	Loctite® 243™
Screw, retaining bracket of exhaust control	M5	7 Nm (5.2 lbf ft)	Loctite® 243™
Screw, water pump wheel	M5	6 Nm (4.4 lbf ft)	Loctite® 243™
Screw, alternator cover	M6	8 Nm (5.9 lbf ft)	–
Screw, bearing retainer	M6	10 Nm (7.4 lbf ft)	Loctite® 243™
Screw, clutch cover	M6	10 Nm (7.4 lbf ft)	–
Screw, control flap, exhaust control	M6	10 Nm (7.4 lbf ft)	Loctite® 243™
Screw, engine case	M6x40	10 Nm (7.4 lbf ft)	–
Screw, engine case	M6x55	10 Nm (7.4 lbf ft)	–
Screw, engine case	M6x60	10 Nm (7.4 lbf ft)	–
Screw, exhaust flange	M6	8 Nm (5.9 lbf ft)	–
Screw, gear oil level check	M6	10 Nm (7.4 lbf ft)	–
Screw, intake flange/reed valve housing	M6	10 Nm (7.4 lbf ft)	–
Screw, kick starter spring	M6	10 Nm (7.4 lbf ft)	Loctite® 243™
Screw, kick starter stop plate	M6	10 Nm (7.4 lbf ft)	Loctite® 243™
Screw, shift drum locating	M6	10 Nm (7.4 lbf ft)	Loctite® 243™
Screw, shift lever	M6	14 Nm (10.3 lbf ft)	Loctite® 243™
Screw, slave cylinder of the clutch	M6	10 Nm (7.4 lbf ft)	–
Screw, starter motor	M6	8 Nm (5.9 lbf ft)	–
Screw, stator	M6	8 Nm (5.9 lbf ft)	Loctite® 243™
Screw, water pump cover	M6	10 Nm (7.4 lbf ft)	–
Screw, cylinder head	M8	27 Nm (19.9 lbf ft)	–
Screw, kick starter	M8	25 Nm (18.4 lbf ft)	Loctite® 243™
Nut, cylinder base	M10	35 Nm (25.8 lbf ft)	–
Drain plug, water pump cover	M10x1	15 Nm (11.1 lbf ft)	–
Nut, rotor	M12x1	60 Nm (44.3 lbf ft)	–
Gear oil drain plug with magnet	M12x1.5	20 Nm (14.8 lbf ft)	–
Spark plug	M14x1.25	25 Nm (18.4 lbf ft)	–
Nut, inner clutch hub	M18x1.5	120 Nm (88.5 lbf ft)	Loctite® 648™
Nut, primary gear	M18LHx1.5	150 Nm (110.6 lbf ft)	Loctite® 648™

26.4 Capacities

26.4.1 Gear oil

Gear oil	0.80 l (0.85 qt.)	Engine oil (15W/50) (☛ p. 268)
----------	-------------------	--------------------------------

26.4.2 Coolant

Coolant	1.2 l (1.3 qt.)	Coolant (☛ p. 268)
		Coolant (mixed ready to use) (☛ p. 268)

26.4.3 Fuel

Total fuel tank capacity, approx. (250/300 EXC EU, EXC SIX DAYS)	9.5 l (2.51 US gal)	Super unleaded gasoline (95 octane), mixed with 2-stroke engine oil (1:60) (☛ p. 269)
Total fuel tank capacity, approx. (250/300 EXC AUS, all 250/300 XC-W)	10 l (2.6 US gal)	Super unleaded gasoline (95 octane), mixed with 2-stroke engine oil (1:60) (☛ p. 269)
Fuel reserve, approx. (250/300 EXC EU, EXC SIX DAYS)	2 l (2 qt.)	
Fuel reserve, approx. (250/300 EXC AUS, all 250/300 XC-W)	2.5 l (2.6 qt.)	

26.5 Chassis

Frame	Central tube frame made of chrome molybdenum steel tubing	
Fork (EXC EU/AUS, XC-W)	WP Suspension Up Side Down 4860 MXMA PA	
Fork (250/300 SIX DAYS)	WP Suspension Up Side Down 4860 4CS	
Suspension travel (EXC EU/AUS, XC-W)		
Front	300 mm (11.81 in)	
Suspension travel (250/300 SIX DAYS)		
Front	292 mm (11.5 in)	
Suspension travel		
Rear	335 mm (13.19 in)	
Fork offset	20 mm (0.79 in)	
Shock absorber	WP Suspension PDS 5018 DCC	
Brake system	Disc brakes, brake calipers on floating bearings	
Brake discs - diameter		
Front	260 mm (10.24 in)	
Rear	220 mm (8.66 in)	
Brake discs - wear limit		
Front	2.5 mm (0.098 in)	
Rear	3.5 mm (0.138 in)	
Tire air pressure, road (All 250/300 EXC models)		
Front	1.5 bar (22 psi)	
Rear	1.5 bar (22 psi)	
Tire air pressure off road		
Front	1.0 bar (15 psi)	
Rear	1.0 bar (15 psi)	
Secondary ratio (All 250/300 EXC models)	14:50 (13:50)	
Secondary ratio (all 250/300 XC-W)	13:50	
Chain	5/8 x 1/4"	
Rear sprockets available	38, 40, 42, 45, 48, 49, 50, 51, 52	
Steering head angle	63.5°	
Wheelbase	1,482±10 mm (58.35±0.39 in)	
Seat height unloaded	960 mm (37.8 in)	
Ground clearance unloaded	355 mm (13.98 in)	
Weight without fuel, approx. (250 XC-W USA)	101.9 kg (224.6 lb.)	
Weight without fuel, approx. (300 XC-W USA, 300 XC-W SIX DAYS USA)	102.1 kg (225.1 lb.)	
Maximum permissible front axle load	145 kg (320 lb.)	
Maximum permissible rear axle load	190 kg (419 lb.)	
Maximum permissible overall weight	335 kg (739 lb.)	

26.6 Electrical system

Battery	YTX4L-BS	Battery voltage: 12 V Nominal capacity: 3 Ah maintenance-free
Speedometer battery	CR 2430	Battery voltage: 3 V
Fuse	58011109110	10 A
Headlight	HS1 / socket BX43t	12 V 35/35 W
Parking light	W5W / socket W2.1x9.5d	12 V 5 W
Indicator lamps	W2.3W / socket W1x4.6d	12 V 2.3 W
Turn signal	R10W / socket BA15s	12 V 10 W
Brake/tail light	LED	
License plate lamp	W5W / socket W2.1x9.5d	12 V 5 W

26.7 Tires

Validity	Front tires	Rear tires
(All 250/300 EXC models)	80/100 - 21 M/C 51M TT MAXXIS MAXX CROSS SI	140/80 - 18 M/C 70R TT MAXXIS MAXX ENDURO
(all 250/300 XC-W)	80/100 - 21 51M TT Dunlop GEOMAX MX 51	110/100 - 18 64M TT Dunlop GEOMAX MX 51
Additional information is available in the Service section under: http://www.ktm.com		

26.8 Fork

26.8.1 EXC EU/AUS, XC-W

Fork part number	14.18.7L.63
Fork	WP Suspension Up Side Down 4860 MXMA PA
Compression damping	
Comfort	22 clicks
Standard	20 clicks
Sport	18 clicks
Rebound damping	
Comfort	20 clicks
Standard	18 clicks
Sport	16 clicks
Spring preload - Preload Adjuster	
Comfort	1 turn
Standard	2 turns
Sport	2 turns
Spring length with preload spacer(s)	
Weight of rider: 65... 75 kg (143... 165 lb.)	513 mm (20.2 in)
Weight of rider: 75... 85 kg (165... 187 lb.)	513 mm (20.2 in)
Weight of rider: 85... 95 kg (187... 209 lb.)	513 mm (20.2 in)
Spring rate	
Weight of rider: 65... 75 kg (143... 165 lb.)	4.0 N/mm (22.8 lb/in)
Weight of rider: 75... 85 kg (165... 187 lb.)	4.2 N/mm (24 lb/in)
Weight of rider: 85... 95 kg (187... 209 lb.)	4.4 N/mm (25.1 lb/in)
Fork length	940 mm (37.01 in)
Air chamber length	110 ⁺¹⁰ / ₋₂₀ mm (4.33 ^{+0.39} / _{-0.79} in)

Fork oil per fork leg	625 ml (21.13 fl. oz.)	Fork oil (SAE 4) (48601166S1) (☛ p. 268)
-----------------------	------------------------	--

26.8.2 250/300 SIX DAYS

Fork part number	24.18.7N.63	
Fork	WP Suspension Up Side Down 4860 4CS	
Compression damping		
Comfort	15 clicks	
Standard	13 clicks	
Sport	11 clicks	
Rebound damping		
Comfort	15 clicks	
Standard	13 clicks	
Sport	11 clicks	
Spring length with preload spacer(s)	470 mm (18.5 in)	
Spring rate		
Weight of rider: 65... 75 kg (143... 165 lb.)	3.8 N/mm (21.7 lb/in)	
Weight of rider: 75... 85 kg (165... 187 lb.)	4.0 N/mm (22.8 lb/in)	
Weight of rider: 85... 95 kg (187... 209 lb.)	4.2 N/mm (24 lb/in)	
Fork length	932 mm (36.69 in)	
Air chamber length	100 mm (3.94 in)	
Oil capacity per fork leg	635 ml (21.47 fl. oz.)	Fork oil (SAE 4) (48601166S1) (☛ p. 268)

26.9 Shock absorber

Shock absorber part number	12.18.7L.63	
Shock absorber	WP Suspension PDS 5018 DCC	
Compression damping, low-speed		
Comfort	25 clicks	
Standard	20 clicks	
Sport	15 clicks	
Compression damping, high-speed		
Comfort	2 turns	
Standard	1.5 turns	
Sport	1.25 turns	
Rebound damping		
Comfort	28 clicks	
Standard	24 clicks	
Sport	22 clicks	
Spring preload		
Comfort	7 mm (0.28 in)	
Standard	7 mm (0.28 in)	
Sport	7 mm (0.28 in)	
Spring rate		
Weight of rider: 65... 75 kg (143... 165 lb.)	66 N/mm (377 lb/in)	
Weight of rider: 75... 85 kg (165... 187 lb.)	69 N/mm (394 lb/in)	
Weight of rider: 85... 95 kg (187... 209 lb.)	72 N/mm (411 lb/in)	
Spring length	250 mm (9.84 in)	
Gas pressure	10 bar (145 psi)	
Static sag	33... 35 mm (1.3... 1.38 in)	
Riding sag	105... 115 mm (4.13... 4.53 in)	
Fitted length	417 mm (16.42 in)	
Shock absorber oil (☛ p. 269)	SAE 2.5	

26.10 Chassis tightening torques

Spoke nipple, front wheel	M4.5	5... 6 Nm (3.7... 4.4 lbf ft)	–
Spoke nipple, rear wheel	M4.5	5... 6 Nm (3.7... 4.4 lbf ft)	–
Screw, frame protector	M5	3 Nm (2.2 lbf ft)	–
Screw, shock absorber adjusting ring	M5	5 Nm (3.7 lbf ft)	–
Screw, spoiler on fuel tank (all 250/300 XC-W)	M5x12	1.5 Nm (1.11 lbf ft)	–
Remaining nuts, chassis	M6	10 Nm (7.4 lbf ft)	–
Remaining screws, chassis	M6	10 Nm (7.4 lbf ft)	–
Screw, ball joint of push rod on foot brake cylinder	M6	10 Nm (7.4 lbf ft)	Loctite® 243™
Screw, chain sliding guard	M6	6 Nm (4.4 lbf ft)	Loctite® 243™
Screw, front brake disc	M6	14 Nm (10.3 lbf ft)	Loctite® 243™
Screw, rear brake disc	M6	14 Nm (10.3 lbf ft)	Loctite® 243™
Nut, foot brake lever stop	M8	20 Nm (14.8 lbf ft)	–
Nut, rear sprocket screw	M8	35 Nm (25.8 lbf ft)	Loctite® 2701™
Nut, rim lock	M8	12 Nm (8.9 lbf ft)	–
Remaining nuts, chassis	M8	25 Nm (18.4 lbf ft)	–
Remaining screws, chassis	M8	25 Nm (18.4 lbf ft)	–
Screw, bottom triple clamp (250/300 SIX DAYS)	M8	15 Nm (11.1 lbf ft)	–
Screw, bottom triple clamp (EXC EU/AUS, XC-W)	M8	15 Nm (11.1 lbf ft)	–
Screw, chain sliding piece	M8	15 Nm (11.1 lbf ft)	–
Screw, engine brace	M8	33 Nm (24.3 lbf ft)	–
Screw, fork stub	M8	15 Nm (11.1 lbf ft)	–
Screw, front brake caliper	M8	25 Nm (18.4 lbf ft)	Loctite® 243™
Screw, handlebar clamp	M8	20 Nm (14.8 lbf ft)	–
Screw, side stand attachment	M8	45 Nm (33.2 lbf ft)	Loctite® 2701™
Screw, subframe	M8	35 Nm (25.8 lbf ft)	Loctite® 2701™
Screw, top steering stem (250/300 SIX DAYS)	M8	17 Nm (12.5 lbf ft)	Loctite® 243™
Screw, top steering stem (EXC EU/AUS, XC-W)	M8	20 Nm (14.8 lbf ft)	–
Screw, top triple clamp (250/300 SIX DAYS)	M8	17 Nm (12.5 lbf ft)	–
Screw, top triple clamp (EXC EU/AUS, XC-W)	M8	20 Nm (14.8 lbf ft)	–
Engine bracket screw	M10	60 Nm (44.3 lbf ft)	–
Remaining nuts, chassis	M10	45 Nm (33.2 lbf ft)	–
Remaining screws, chassis	M10	45 Nm (33.2 lbf ft)	–
Screw, handlebar support	M10	40 Nm (29.5 lbf ft)	Loctite® 243™
Screw, bottom shock absorber	M12	80 Nm (59 lbf ft)	Loctite® 2701™
Screw, top shock absorber	M12	80 Nm (59 lbf ft)	Loctite® 2701™
Nut, seat fixing	M12x1	20 Nm (14.8 lbf ft)	–
Nut, swingarm pivot	M16x1.5	100 Nm (73.8 lbf ft)	–
Nut, rear wheel spindle	M20x1.5	80 Nm (59 lbf ft)	–
Screw, top steering head	M20x1.5	12 Nm (8.9 lbf ft)	–
Screw-in nozzles, cooling system	M20x1.5	12 Nm (8.9 lbf ft)	Loctite® 243™
Screw, front wheel spindle	M24x1.5	45 Nm (33.2 lbf ft)	–

26.11 Carburetor

26.11.1 250 EXC EU, 250 EXC SIX DAYS EU

Carburetor type	KEIHIN PWK 36S AG
Carburetor identification number	FK028
Needle position	2nd position from top
Jet needle	N84K (N8RW / N8RJ / N8RK)
Main jet	110 (165 / 168)
Idling jet	38x38 (38 7 40 / 42)
Starting jet	50 (85)
Idle air adjusting screw	
Open	1.5 turns
Throttle slide	7 with cut-out
Slide stop	Present

26.11.2 250 EXC AUS

Carburetor type	KEIHIN PWK 36S AG
Carburetor identification number	3600
Needle position	1. Position from top
Jet needle	N3CJ (N8RW / N8RJ / N8RK / N4DW / N4DJ / N4DK)
Main jet	160 (165 / 168)
Idling jet	35 (38 / 40 / 42)
Starting jet	85
Idle air adjusting screw	
Open	3.5 turns
Throttle slide	7 with cut-out
Slide stop	Present

26.11.3 250 XC-W USA

Carburetor type	KEIHIN PWK 36S AG
Carburetor identification number	BT0
Needle position	4th position from top
Jet needle	N8RJ (N8RW / N8RK)
Main jet	168 (165)
Idling jet	40 (38 / 42)
Starting jet	85
Idle air adjusting screw	
Open	2.0 turns
Throttle slide	7 with cut-out
Slide stop	-

26.11.4 300 EXC EU, 300 EXC SIX DAYS EU

Carburetor type	KEIHIN PWK 36S AG
Carburetor identification number	FK029
Needle position	2nd position from top
Jet needle	N84K (N4DW / N4DJ / N4DK)
Main jet	115 (165 / 168)
Idling jet	38X38 (35)
Starting jet	50 (85)
Idle air adjusting screw	
Open	1.75 turns

Throttle slide	7 with cut-out
Slide stop	Present

26.11.5 300 EXC AUS

Carburetor type	KEIHIN PWK 36S AG
Carburetor identification number	3600
Needle position	1. Position from top
Jet needle	N3CJ (N8RW / N8RJ / N8RK / N4DW / N4DJ / N4DK)
Main jet	160 (165 / 168)
Idling jet	35 (38 / 40 / 42)
Starting jet	85
Idle air adjusting screw	
Open	3.5 turns
Throttle slide	7 with cut-out
Slide stop	Present

26.11.6 300 XC-W USA, 300 XC-W SIX DAYS USA

Carburetor type	KEIHIN PWK 36S AG
Carburetor identification number	BC1
Needle position	4th position from top
Jet needle	N4DJ (N4DW / N4DK)
Main jet	168 (165)
Idling jet	35
Starting jet	85
Idle air adjusting screw	
Open	2.0 turns
Throttle slide	7 with cut-out
Slide stop	-

26.12 Carburetor tuning

26.12.1 Carburetor tuning (All 250 models)

Danger
Loss of approval for road use and insurance coverage The motorcycle is authorized for public road traffic in the homologous (reduced) version only.

- In the derestricted version, the motorcycle must be used only on closed off property remote from public road traffic.

KEIHIN PWK 36S AG							
M/FT ASL ↓	TEMP →	-20°C ... -7°C	-6°C ... 5°C	6°C ... 15°C	16°C ... 24°C	25°C ... 36°C	37°C ... 49°C
		-2°F ... 20°F	19°F ... 41°F	42°F ... 60°F	61°F ... 78°F	79°F ... 98°F	99°F ... 120°F
3.000 m 10,000 ft ↑ 2.301 m 7,501 ft	ASO IJ NDL POS MJ	2 40 N8R J 4 168	2 40 N8R J 4 165	2 40 N8R J 3 162	2 38 N8R K 3 160	2,5 38 N8R K 2 158	
2.300 m 7,500 ft ↑ 1.501 m 5,001 ft	ASO IJ NDL POS MJ	1,5 40 N8R W 4 170	2 40 N8R J 4 168	2 40 N8R J 4 165	2 40 N8R J 3 162	2 38 N8R K 3 160	2,5 38 N8R K 2 158
1.500 m 5,000 ft ↑ 751 m 2,501 ft	ASO IJ NDL POS MJ	1,5 42 N8R W 4 172	1,5 40 N8R W 4 170	2 40 N8R J 4 168	2 40 N8R J 4 165	2 40 N8R J 3 162	2 38 N8R K 3 160
750 m 2,500 ft ↑ 301 m 1,001 ft	ASO IJ NDL POS MJ	1,5 42 N8R H 5 172	1,5 42 N8R W 4 172	1,5 40 N8R W 4 170	2 40 N8R J 4 168	2 40 N8R J 4 165	2 40 N8R J 3 162
300 m 1,000 ft ↑ 0 m 0 ft	ASO IJ NDL POS MJ	1,5 45 N8R H 5 175	1,5 42 N8R H 5 172	1,5 42 N8R W 4 172	1,5 40 N8R W 4 170	2 40 N8R J 4 168	2 40 N8R J 4 165

401770-01

M/FT ASL	Sea level
TEMP	Temperature
ASO	Idle air adjusting screw open
IJ	Idling jet
NDL	Needle
POS	Needle position from above
MJ	Main jet

Does not apply to sand surfaces!

26.12.2 Carburetor tuning (All 300 models)



Danger

Loss of approval for road use and insurance coverage The motorcycle is authorized for public road traffic in the homologous (reduced) version only.

- In the derestricted version, the motorcycle must be used only on closed off property remote from public road traffic.

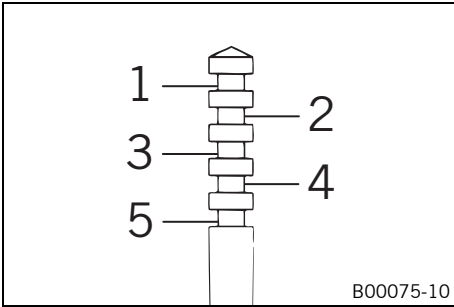
KEIHIN PWK 36S AG							
M/FT ASL ↓	TEMP →	-20°C ... -7°C	-6°C ... 5°C	6°C ... 15°C	16°C ... 24°C	25°C ... 36°C	37°C ... 49°C
		-2°F ... 20°F	19°F ... 41°F	42°F ... 60°F	61°F ... 78°F	79°F ... 98°F	99°F ... 120°F
3.000 m 10,000 ft ↑ 2.301 m 7,501 ft	ASO IJ NDL POS MJ	2 35 N4D J 4 168	2 35 N4D K 4 165	2 35 N4D K 3 162	2,5 35 N4D L 3 160	2,5 35 N4D L 2 158	
2.300 m 7,500 ft ↑ 1.501 m 5,001 ft	ASO IJ NDL POS MJ	2 38 N4D J 4 170	2 35 N4D J 4 168	2 35 N4D K 4 165	2 35 N4D K 3 162	2,5 35 N4D L 3 160	2,5 35 N4D L 2 158
1.500 m 5,000 ft ↑ 751 m 2,501 ft	ASO IJ NDL POS MJ	2 38 N4D W 4 172	2 38 N4D J 4 170	2 35 N4D J 4 168	2 35 N4D K 4 165	2 35 N4D K 3 162	2,5 35 N4D L 3 160
750 m 2,500 ft ↑ 301 m 1,001 ft	ASO IJ NDL POS MJ	1,5 40 N4D W 5 172	2 38 N4D W 4 172	2 38 N4D J 4 170	2 35 N4D J 4 168	2 35 N4D K 4 165	2 35 N4D K 3 162
300 m 1,000 ft ↑ 0 m 0 ft	ASO IJ NDL POS MJ	1,5 40 N4D H 5 175	1,5 40 N4D W 5 172	2 38 N4D W 4 172	2 38 N4D J 4 170	2 35 N4D J 4 168	2 35 N4D K 4 165

401767-01

M/FT ASL	Sea level
TEMP	Temperature
ASO	Idle air adjusting screw open
IJ	Idling jet
NDL	Needle
POS	Needle position from above
MJ	Main jet

Does not apply to sand surfaces!

26.12.3 General carburetor tuning



1... 5	Needle position from above
--------	----------------------------

The five needle positions are shown here.
The carburetor tuning depends on the defined ambient and operating conditions.

27.1 Cleaning the motorcycle

Note

Material damage Damage and destruction of components by high-pressure cleaning equipment.

- When cleaning the vehicle with a pressure cleaner, do not point the water jet directly onto electrical components, connectors, cables, bearings, etc. Maintain a minimum distance of 60 cm between the nozzle of the pressure cleaner and the component. Excessive pressure can cause malfunctions or destroy these parts.

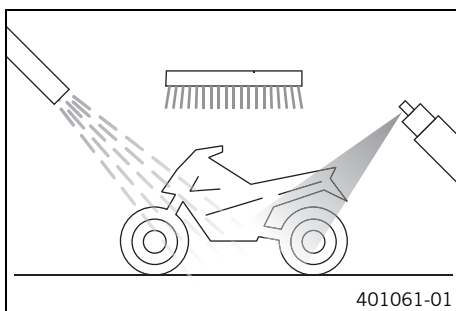
 **Warning**

Environmental hazard Hazardous substances cause environmental damage.

- Oil, grease, filters, fuel, cleaners, brake fluid, etc., should be disposed of as stipulated in applicable regulations.

 **Info**

If you clean the motorcycle regularly, its value and appearance will be maintained over a long period. Avoid direct sunlight on the motorcycle during cleaning.



- Close off the exhaust system to prevent water from entering.
- Remove coarse dirt particles by spraying gently with water.
- Spray very dirty areas with a normal motorcycle cleaner and then clean with a soft brush.

Motorcycle cleaner (☛ p. 271)

 **Info**

Use warm water containing normal motorcycle cleaner and a soft sponge. Never apply motorcycle cleaner to the dry vehicle; always rinse with water first.

- After rinsing the motorcycle with a gentle water spray, allow it to dry thoroughly.
- Empty the carburetor float chamber. (☛ p. 187)
- Remove the plug from the exhaust system.

**Warning**

Danger of accidents Reduced braking efficiency due to a wet or dirty brake system.

- Clean or dry a dirty or wet brake system by riding and braking gently.

- After cleaning, take a short ride until the engine reaches operating temperature.

 **Info**

The heat produced causes water at inaccessible locations in the engine and brake system to evaporate.

- Push back the protection caps on the handlebar controls to allow water that may have penetrated there to evaporate.
- After the motorcycle has cooled off, lubricate all moving parts and bearings.
- Clean the chain. (☛ p. 97)
- Treat bare metal parts (except for brake discs and exhaust system) with anti-corrosion materials.

Cleaning and preserving materials for metal, rubber and plastic (☛ p. 270)

- Treat all plastic parts and powder-coated parts with a mild cleaning and care product.

Cleaning and preserving materials for metal, rubber and plastic (☛ p. 270)

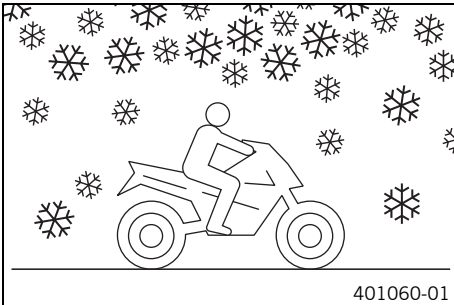
(All 250/300 EXC models)

- Oil the steering lock.

Universal oil spray (☛ p. 271)

27.2 Checks and maintenance steps for winter operation

- i Info**
If the motorcycle is used in the winter, salt can be expected on the roads. Precautions need to be taken against road salt corrosion.
If the vehicle was operated in road salt, clean it with cold water after riding. Warm water would enhance the corrosive effects of salt.



- Clean the motorcycle. (☛ p. 220)
- Clean the brakes.

- i Info**
After **EVERY** trip on salted roads, thoroughly wash the brake calipers and brake linings with cold water and dry carefully. This should be done after the parts are cooled down and while they are installed.
After riding on salted roads, thoroughly wash the motorcycle with cold water and dry it well.

- Treat the engine, swingarm and all other bright and zinc-plated parts (except for the brake discs) with a wax-based corrosion inhibitor.

- i Info**
Corrosion inhibitor is not permitted to come in contact with the brake discs as this would greatly reduce the braking force.

- Clean the chain. (☛ p. 97)

28.1 Storage



Warning

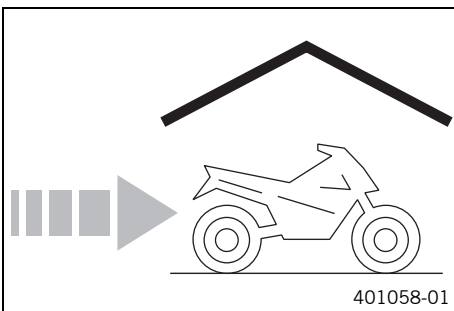
Danger of poisoning Fuel is poisonous and a health hazard.

- Fuel must not come into contact with the skin, eyes, or clothing. Do not breathe in the fuel vapors. If contact occurs with the eyes, rinse with water immediately and contact a physician. Immediately clean contaminated areas on the skin with soap and water. If fuel is swallowed, contact a physician immediately. Change clothing that is contaminated with fuel. Store fuel properly in a suitable canister and keep away from children.



Info

If you want to put the motorcycle into storage for a longer period, take the following actions. Before storing the motorcycle, check all parts for function and wear. If service, repairs or replacements are necessary, you should do this during the storage period (less workshop overload). In this way, you can avoid long workshop waiting times at the start of the new season.



- Clean the motorcycle. (☛ p. 220)
- Change the gear oil. (☛ p. 199)
- Check the antifreeze and coolant level. (☛ p. 195)
- When refueling for the last time before taking the motorcycle out of service, add fuel additive.

Fuel additive (☛ p. 270)

- Refuel.
- Empty the carburetor float chamber. (☛ p. 187)
- Check the tire air pressure. (☛ p. 91)
- Remove the battery. (☛ p. 103)
- Recharge the battery. (☛ p. 101)

Guideline

Storage temperature of battery without direct sunlight	0... 35 °C (32... 95 °F)
--	--------------------------

- Store the vehicle in a dry location that is not subject to large fluctuations in temperature.



Info

KTM recommends raising the motorcycle.

- Raise the motorcycle with the lift stand. (☛ p. 10)
- Cover the vehicle with a tarp or cover that is permeable to air.

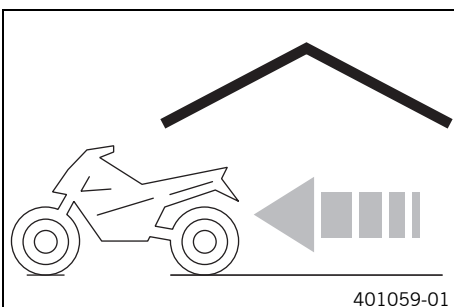


Info

Do not use non-porous materials since they prevent humidity from escaping, thus causing corrosion.

Avoid running the engine for a short time only. Because the engine will not warm up sufficiently, the water vapor produced during combustion will condense, causing engine parts and the exhaust system to rust.

28.2 Preparing for use after storage



- Remove the motorcycle from the lift stand. (☛ p. 10)
- Recharge the battery. (☛ p. 101)
- Install the battery. (☛ p. 104)
- Perform checks and maintenance work when preparing the vehicle for use.
- Make a test ride.

29.1 Service schedule

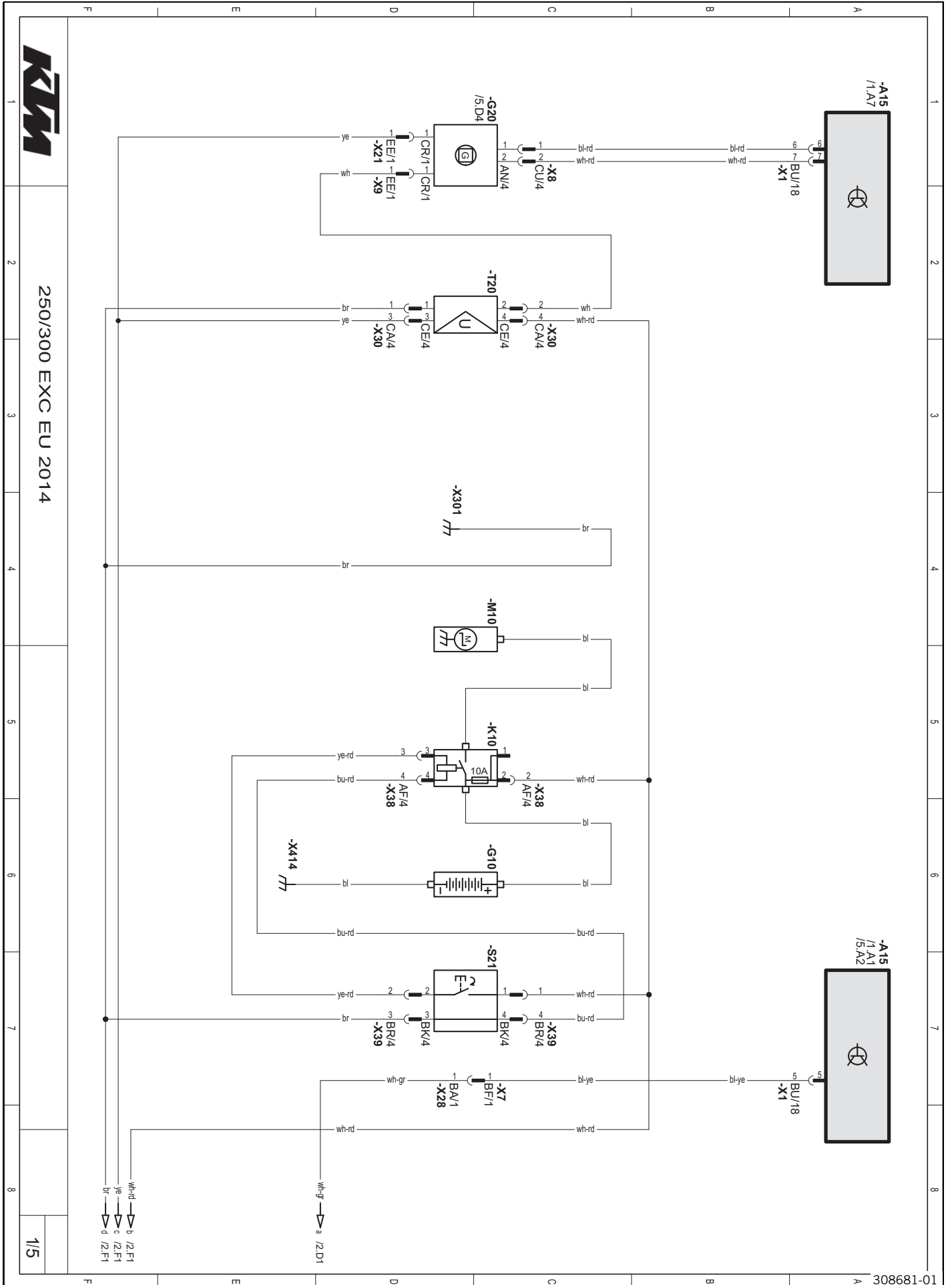
	Every 40 operating hours/after every race	
	Every 20 operating hours	
Check that the electrical equipment is functioning properly.	•	•
Check and charge the battery.	•	•
Check the front brake linings. (☛ p. 106)	•	•
Check the rear brake linings. (☛ p. 111)	•	•
Check the brake discs. (☛ p. 92)	•	•
Check the brake lines for damage and leakage.	•	•
Check the rear brake fluid level. (☛ p. 114)	•	•
Check the free travel of the foot brake lever. (☛ p. 113)	•	•
Check the frame and swingarm.	•	•
Check the swingarm bearing.		•
Check the heim joints at the top and bottom of the shock absorber.	•	•
Check the tire condition. (☛ p. 91)	•	•
Check the tire air pressure. (☛ p. 91)	•	•
Check the wheel bearing for play.	•	•
Check the wheel hubs.	•	•
Check the rim run-out.	•	•
Check the spoke tension. (☛ p. 92)	•	•
Check the chain, rear sprocket, engine sprocket, and chain guide. (☛ p. 98)	•	•
Check the chain tension. (☛ p. 97)	•	•
Grease all moving parts (e.g. side stand, hand lever, chain, ...) and check for smooth operation.	•	•
Check/correct the fluid level of the hydraulic clutch. (☛ p. 194)	•	•
Check the front brake fluid level. (☛ p. 109)	•	•
Check the free travel of the hand brake lever. (☛ p. 108)	•	•
Check the play of the steering head bearing. (☛ p. 53)	•	•
Change the spark plug and spark plug connector.	•	•
Check the intake diaphragm.	•	•
Check the exhaust control for functioning and smooth operation.		•
Check the clutch.		•
Change the gear oil. (☛ p. 199)	•	•
Check all hoses (e. g. fuel, cooling, bleeding, drainage) and sleeves for cracking, leaks, and incorrect routing.	•	•
Check the antifreeze and coolant level. (☛ p. 195)	•	•
Check the cables for damage and routing without sharp bends.	•	•
Check that the throttle cables are undamaged, routed without sharp bends and set correctly.	•	•
Clean the air filter and air filter box. (☛ p. 84)	•	•
Change the glass fiber yarn filling of the main silencer. (☛ p. 81)	•	•
Check the screws and nuts for tightness.	•	•
Check the headlight setting. (☛ p. 117)	•	•
Check the idle.	•	•
Final check: Check the vehicle for safe operation and take a test ride.	•	•
Make the service entry in KTM DEALER.NET and in the service record.	•	•

- Periodic interval

29.2 Service work (as additional order)

	Every 80 operating hours/every 40 operating hours when used for motorsports	Every 40 operating hours	Once after 10 operating hours	Annually
Change the front brake fluid. (☛ p. 110)				•
Change the rear brake fluid. (☛ p. 115)				•
Change the hydraulic clutch fluid. (☛ p. 194)				•
Grease the steering head bearing. (☛ p. 50)				•
Check/set the carburetor components.				• •
Perform a fork service. (250/300 SIX DAYS) (☛ p. 36)	○	•	•	
Perform a fork service. (EXC EU/AUS, XC-W) (☛ p. 16)	○	•	•	
Service the shock absorber. (☛ p. 62)		•	•	
Check the starter drive.		•	•	
Change the piston and check the cylinder.				•
Change the connecting rod, conrod bearing and crank pin.				•
Check the transmission and shift mechanism.				•
Change all engine bearings.				•

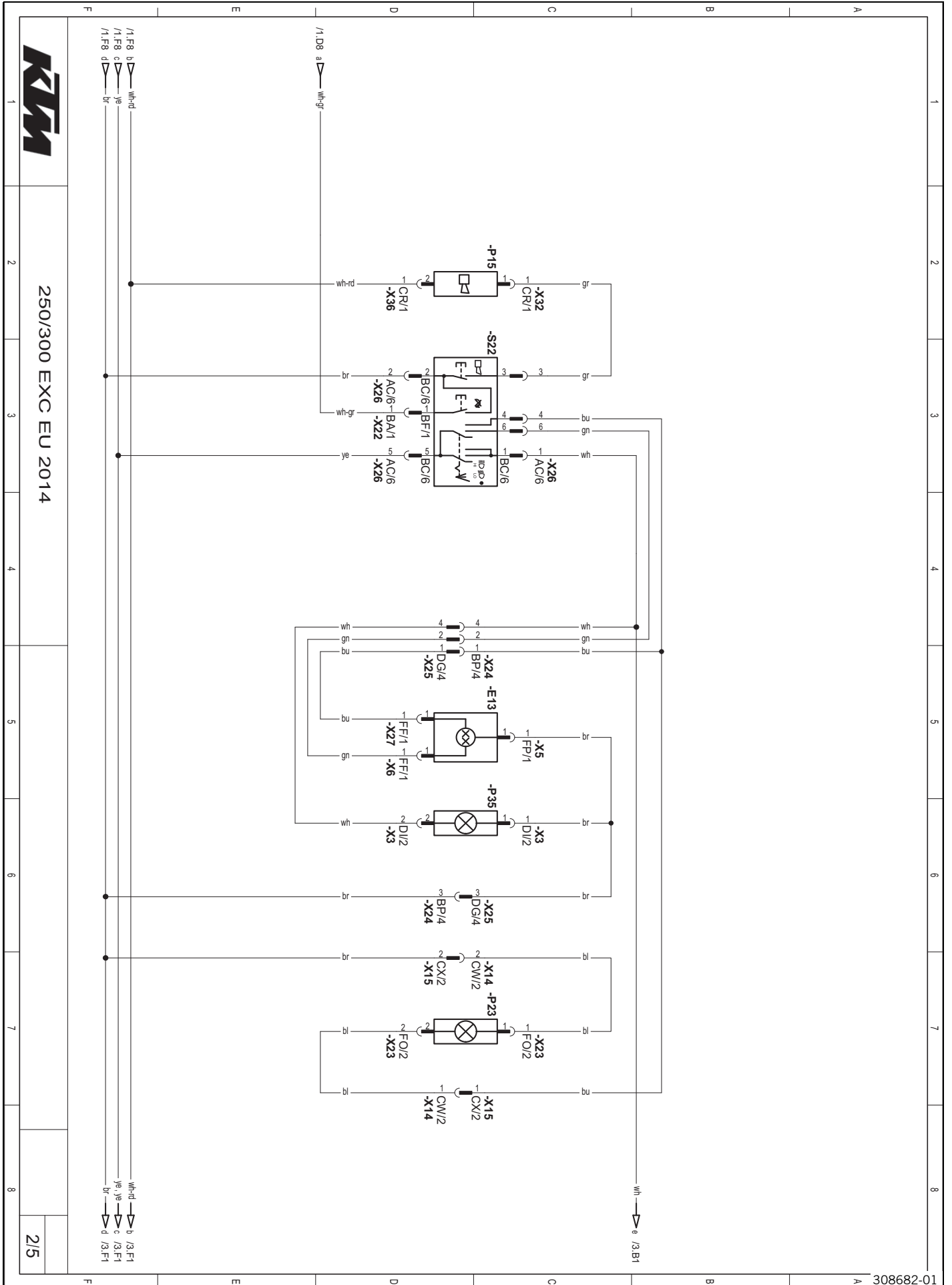
- One-time interval
- Periodic interval



250/300 EXC EU 2014

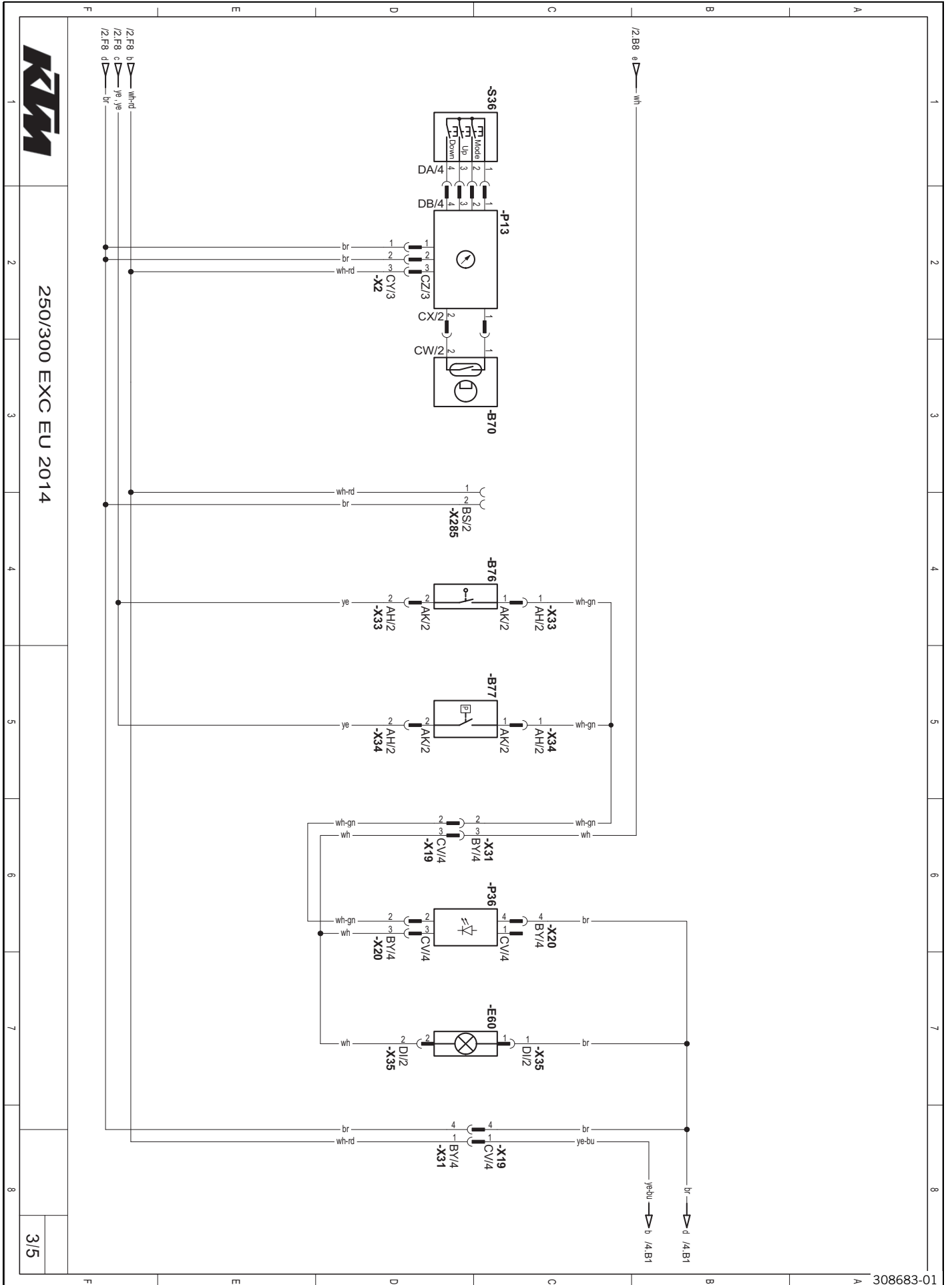
Components:

A15	CDI controller
G10	Battery
G20	Alternator
K10	Starter relay with main fuse
M10	Starter motor
S21	Electric starter button
T20	Voltage regulator



Components:

E13	Low beam, high beam
P15	Horn
P23	High beam indicator lamp
P35	Parking light
S22	Light switch, horn button, kill switch

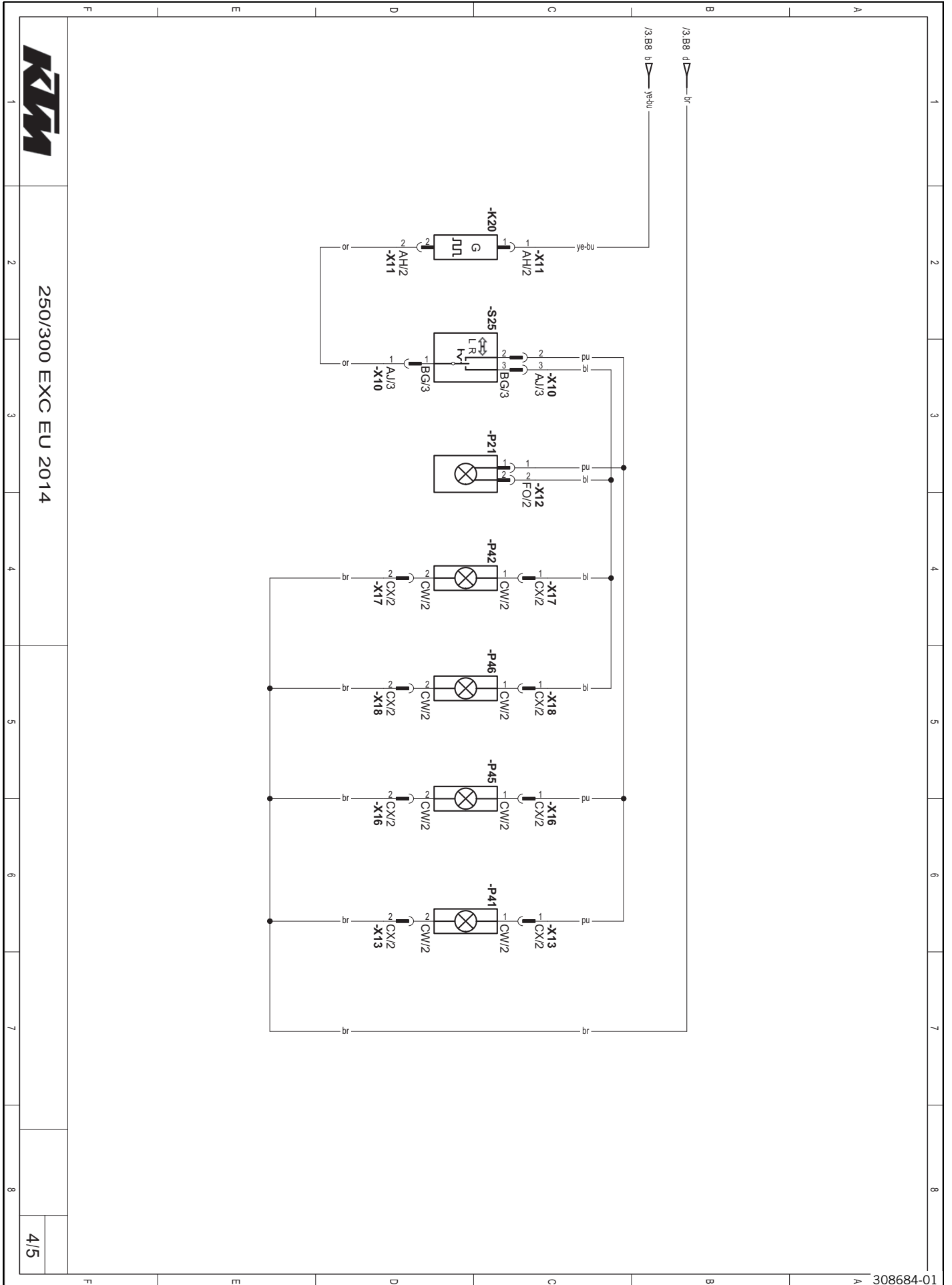


250/300 EXC EU 2014

Components:

B70	Wheel speed sensor, front
B76	Brake light switch, front
B77	Brake light switch, rear
E60	License plate lamp
P13	Speedometer
P36	Brake/tail light
S36	Tripmaster switch
X285	Connector for radiator fan (optional)

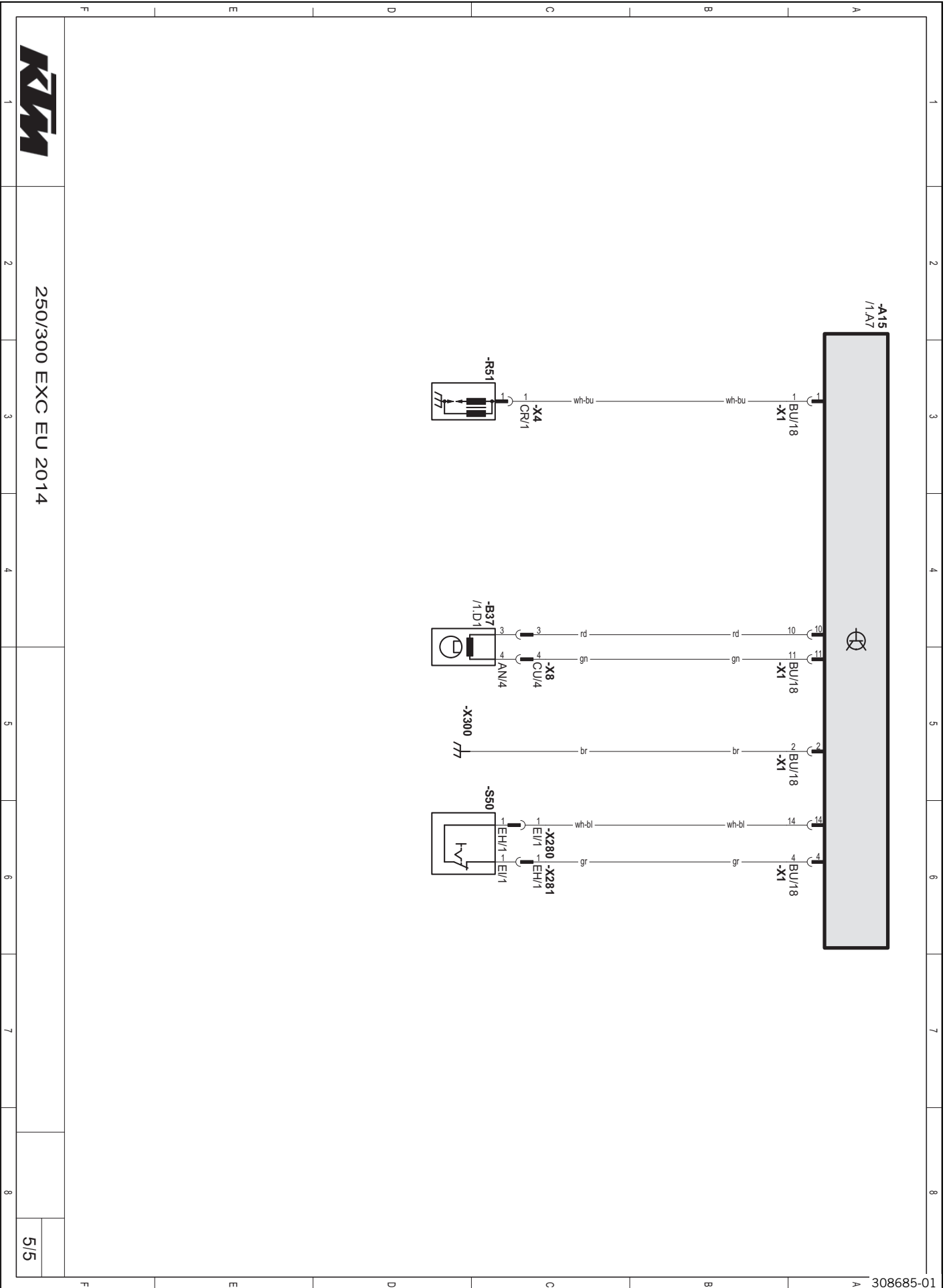
30.4 Page 4 of 5 (250 EXC EU, 300 EXC EU)



250/300 EXC EU 2014

Components:

K20	Turn signal relay
P21	Turn signal indicator light
P41	Turn signal, front left
P42	Turn signal, front right
P45	Turn signal, rear left
P46	Turn signal, rear right
S25	Turn signal switch



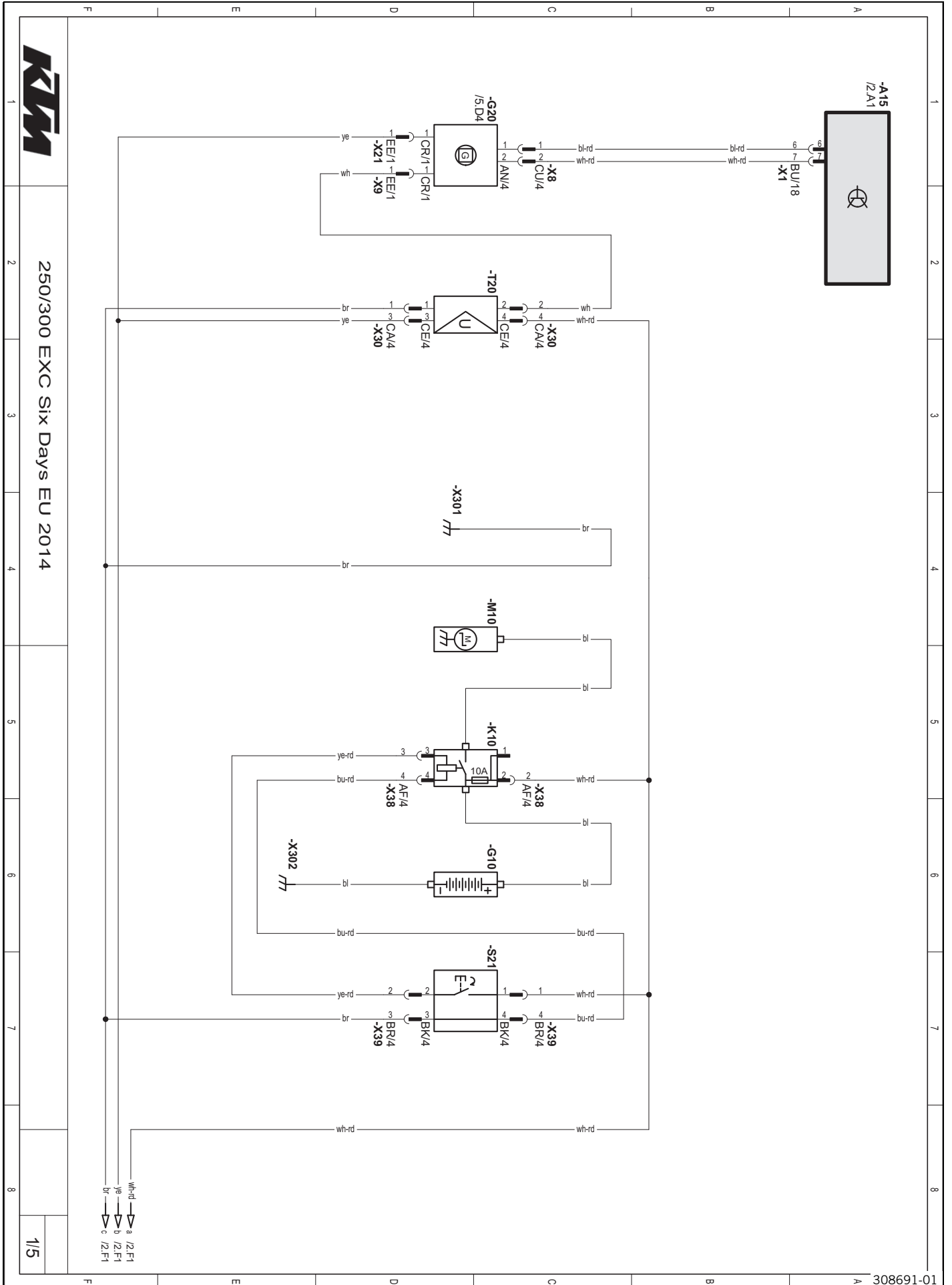
250/300 EXC EU 2014

Components:

A15	CDI controller
B37	Crankshaft position sensor
R51	Ignition coil (cylinder 1)
S50	Map switch for ride mode (optional)
X280	Connector, ignition timing map
X281	Connector, ignition timing map

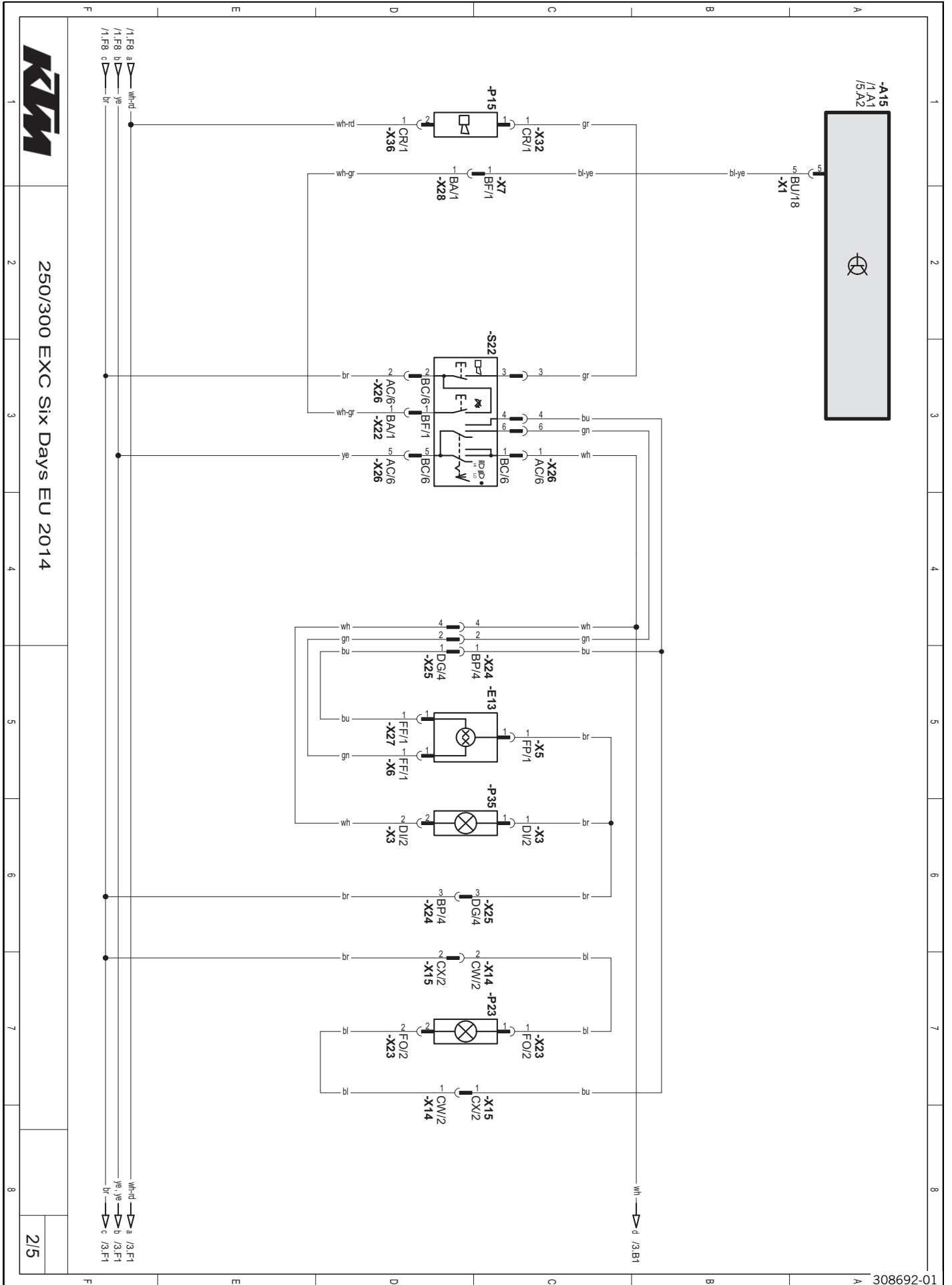
Cable colors:

bl	Black
br	Brown
bu	Blue
gn	Green
gr	Gray
lbu	Light blue
or	Orange
pk	Pink
pu	Violet
rd	Red
wh	White
ye	Yellow



Components:

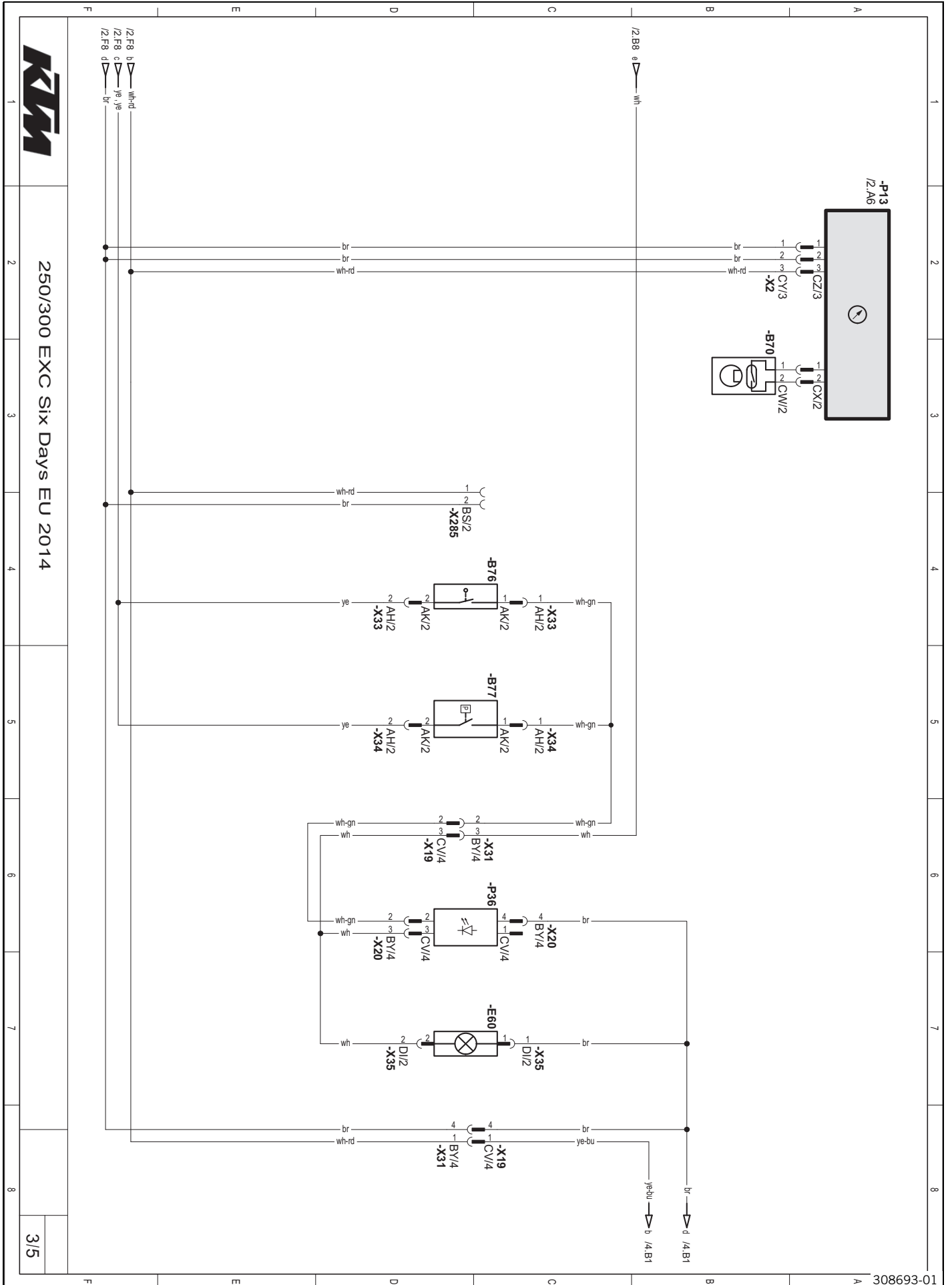
A15	CDI controller
G10	Battery
G20	Alternator
K10	Starter relay with main fuse
M10	Starter motor
S21	Electric starter button
T20	Voltage regulator



250/300 EXC Six Days EU 2014

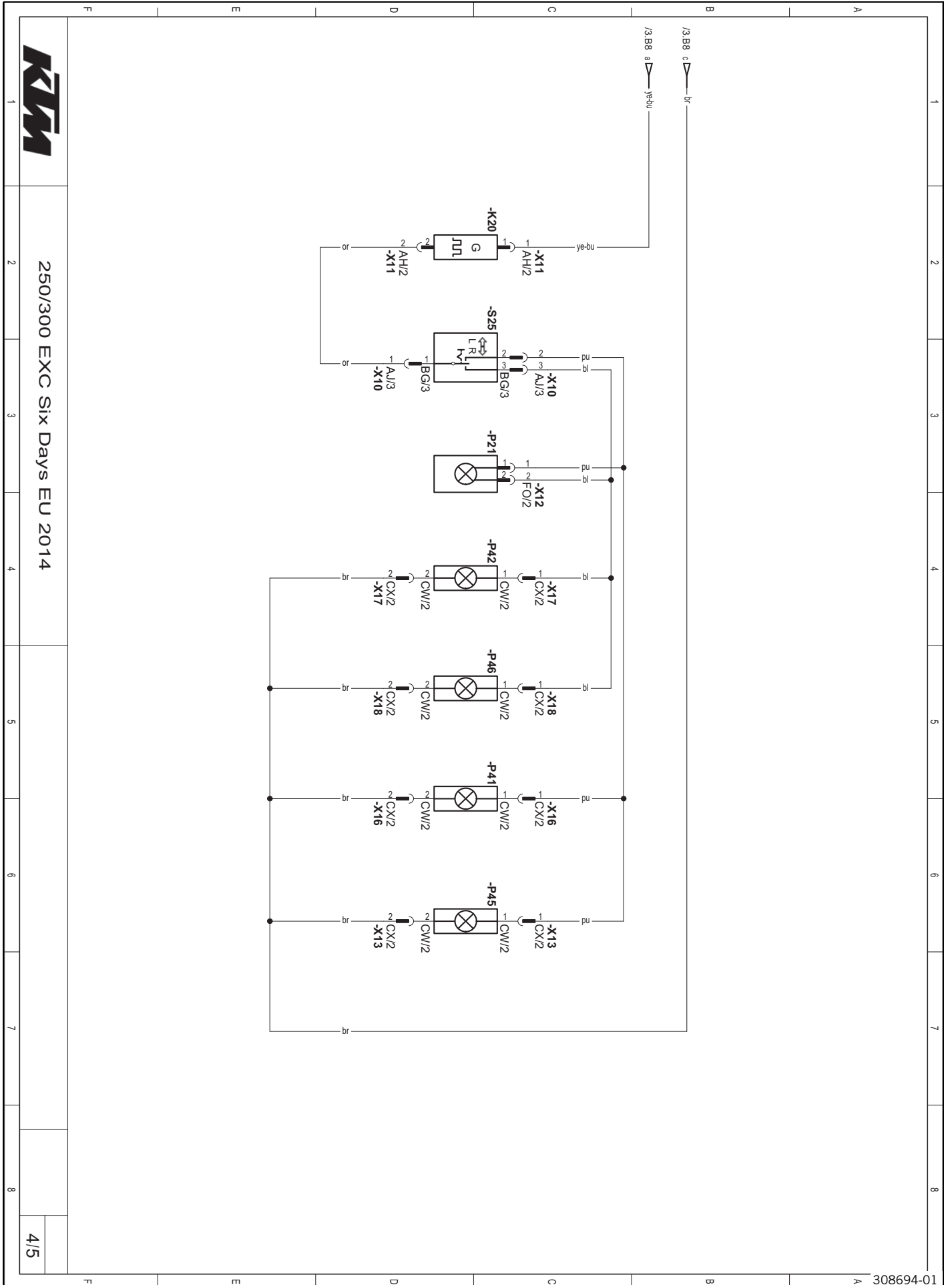
Components:

A15	CDI controller
E13	Low beam, high beam
P15	Horn
P23	High beam indicator lamp
P35	Parking light
S22	Light switch, horn button, kill switch



Components:

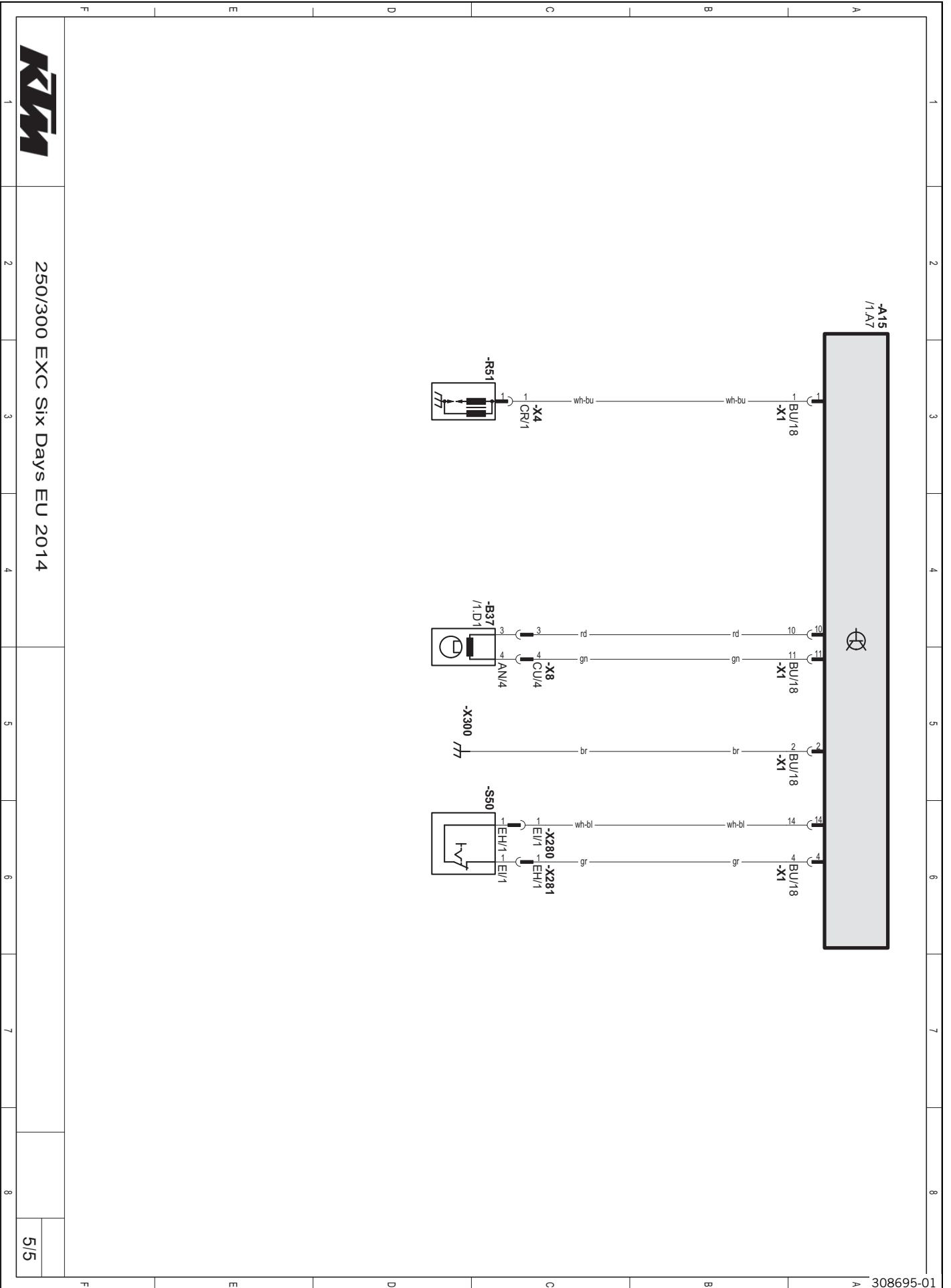
B76	Brake light switch, front
B77	Brake light switch, rear
E60	License plate lamp
P13	Speedometer
P36	Brake/tail light
X285	Connector for radiator fan (optional)



250/300 EXC Six Days EU 2014

Components:

K20	Turn signal relay
P21	Turn signal indicator light
P41	Turn signal, front left
P42	Turn signal, front right
P45	Turn signal, rear left
P46	Turn signal, rear right
S25	Turn signal switch



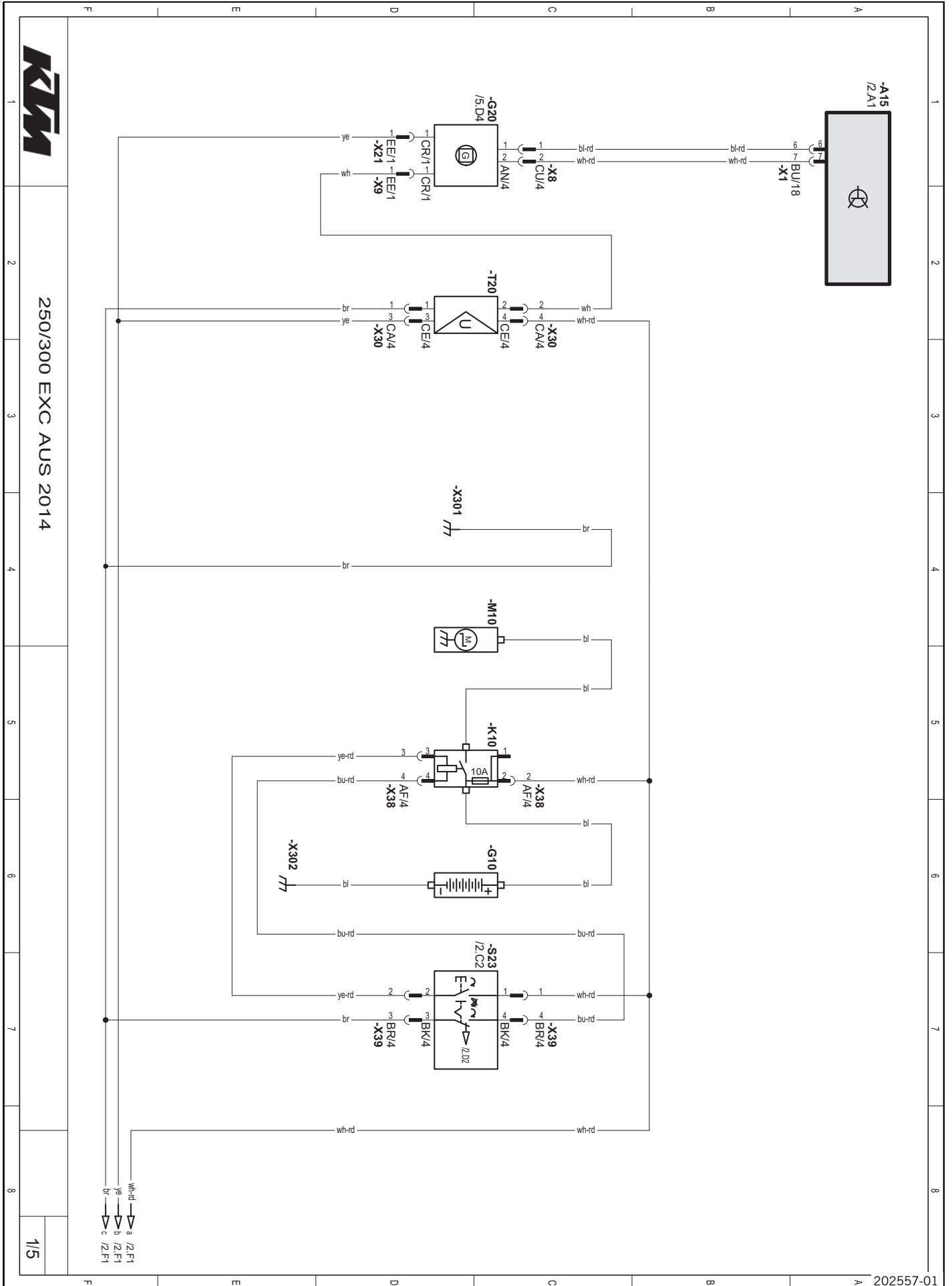
250/300 EXC Six Days EU 2014

Components:

A15	CDI controller
B37	Crankshaft position sensor
R51	Ignition coil (cylinder 1)
S50	Map switch for ride mode (optional)
X280	Connector, ignition timing map
X281	Connector, ignition timing map

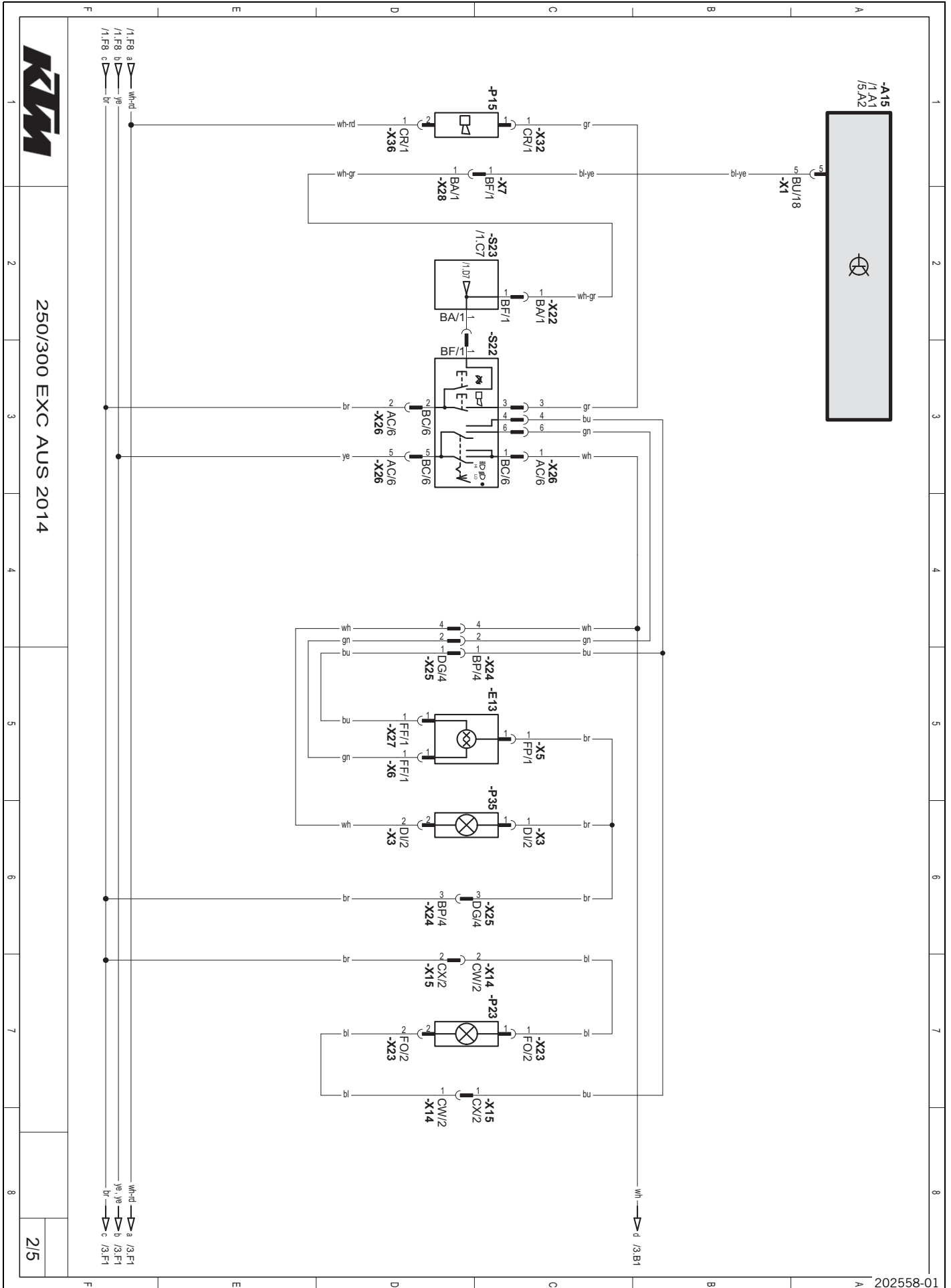
Cable colors:

bl	Black
br	Brown
bu	Blue
gn	Green
gr	Gray
lbu	Light blue
or	Orange
pk	Pink
pu	Violet
rd	Red
wh	White
ye	Yellow



Components:

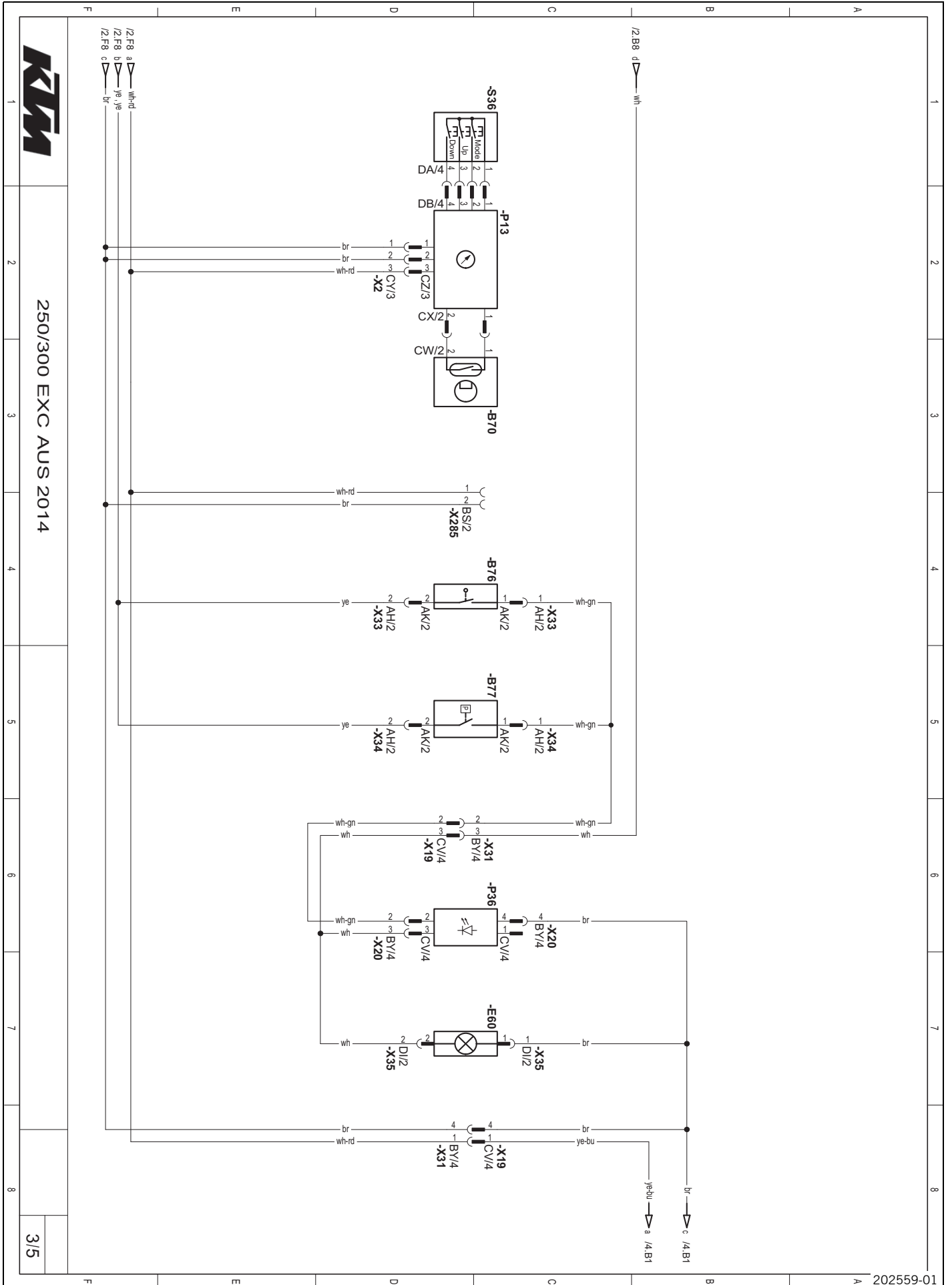
A15	CDI controller
G10	Battery
G20	Alternator
K10	Starter relay with main fuse
M10	Starter motor
S23	Emergency OFF switch, electric starter button
T20	Voltage regulator



250/300 EXC AUS 2014

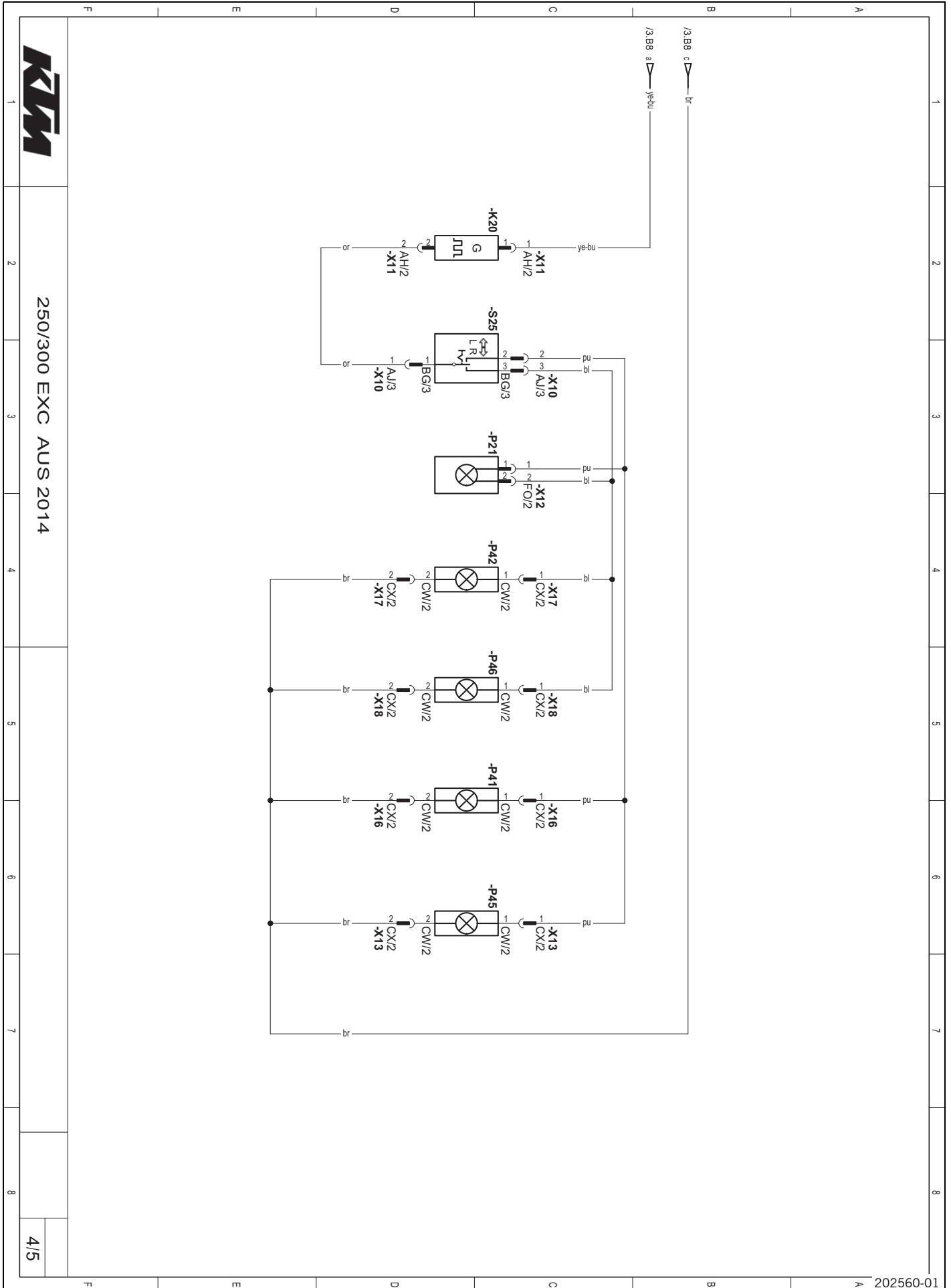
Components:

A15	CDI controller
E13	Low beam, high beam
P15	Horn
P23	High beam indicator lamp
P35	Parking light
S22	Light switch, horn button, kill switch
S23	Emergency OFF switch, electric starter button



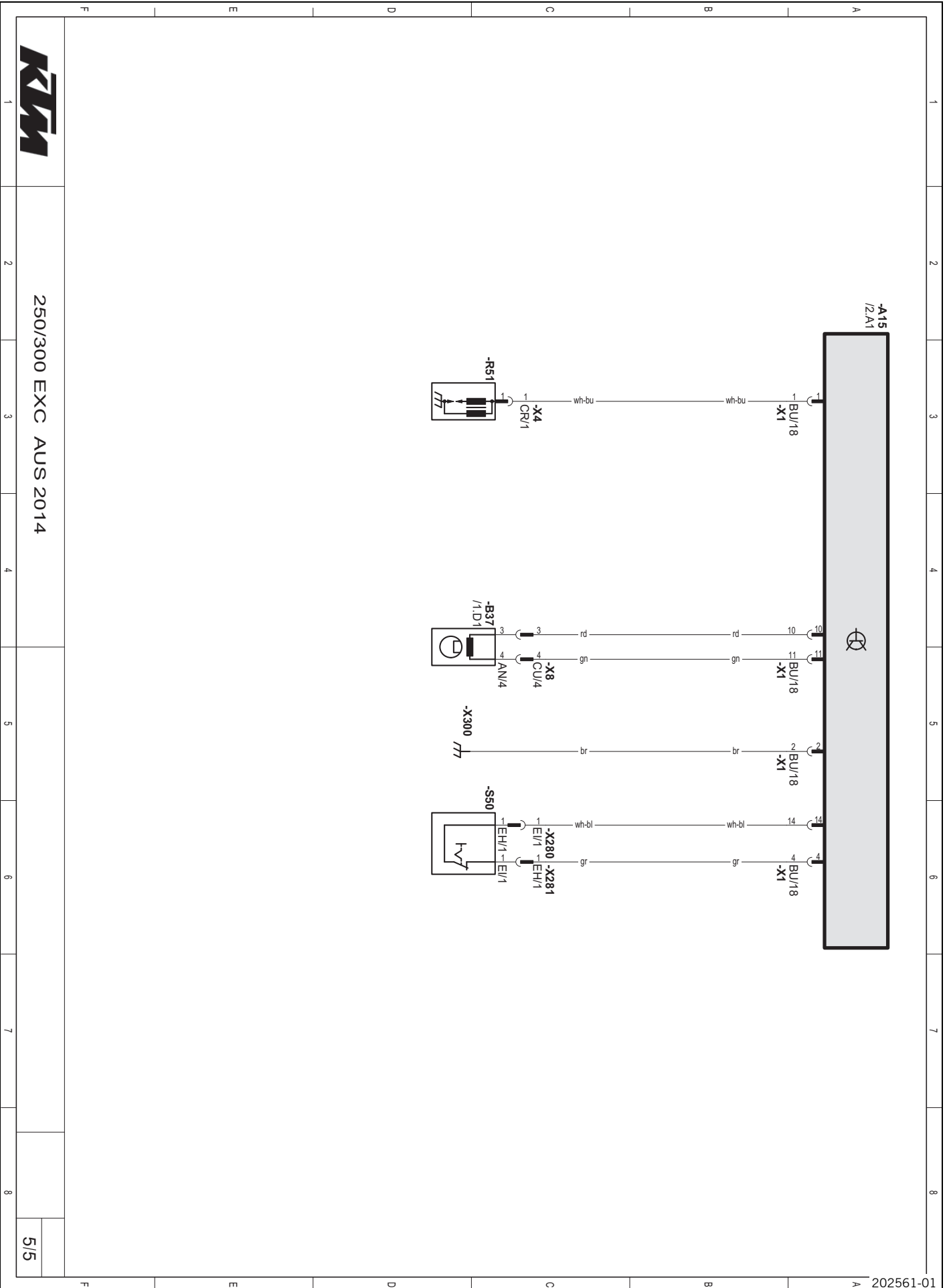
Components:

B70	Wheel speed sensor, front
B76	Brake light switch, front
B77	Brake light switch, rear
E60	License plate lamp
P13	Speedometer
P36	Brake/tail light
S36	Tripmaster switch
X285	Connector for radiator fan



Components:

K20	Turn signal relay
P21	Turn signal indicator light
P41	Turn signal, front left
P42	Turn signal, front right
P45	Turn signal, rear left
P46	Turn signal, rear right
S25	Turn signal switch



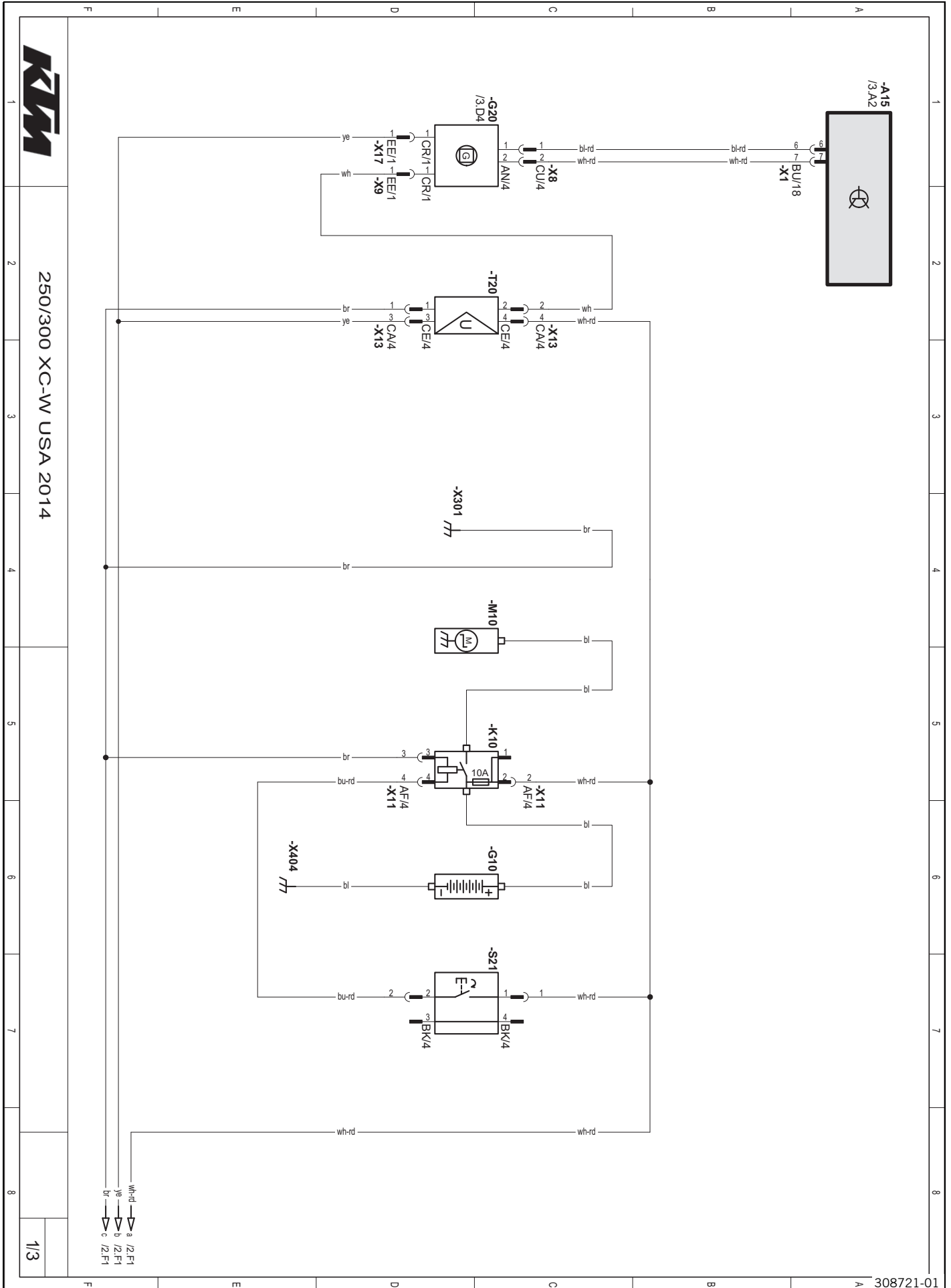
250/300 EXC AUS 2014

Components:

A15	CDI controller
B37	Crankshaft position sensor
R51	Ignition coil (cylinder 1)
S50	Map switch for ride mode
X280	Connector, ignition timing map
X281	Connector, ignition timing map

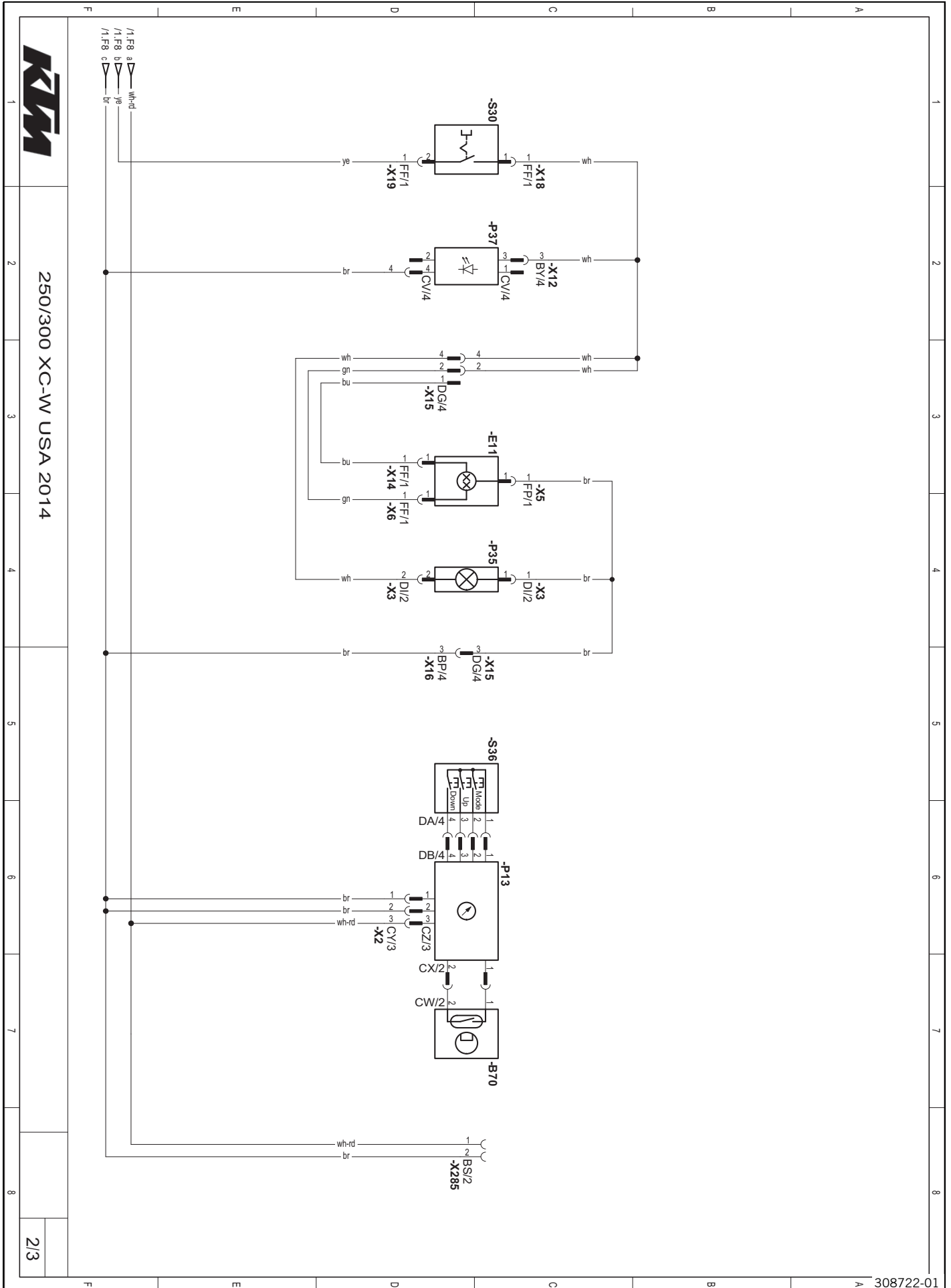
Cable colors:

bl	Black
br	Brown
bu	Blue
gn	Green
gr	Gray
lbu	Light blue
or	Orange
pk	Pink
pu	Violet
rd	Red
wh	White
ye	Yellow



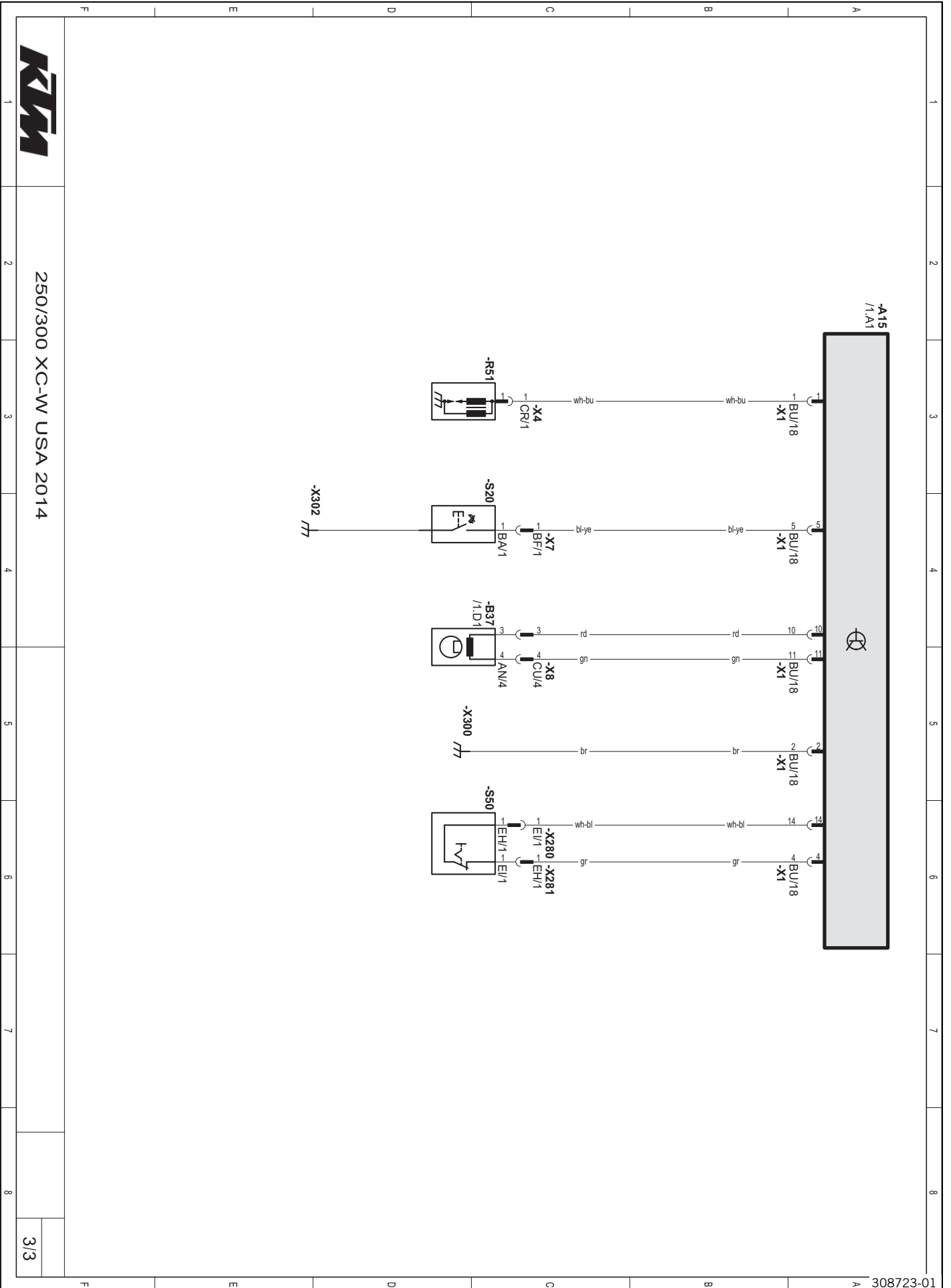
Components:

A15	CDI controller
G10	Battery
G20	Alternator
K10	Starter relay with main fuse
M10	Starter motor
S21	Electric starter button
T20	Voltage regulator



Components:

B70	Wheel speed sensor, front
E11	Low beam
S30	Light switch
S36	Tripmaster switch (optional)
P13	Speedometer
P35	Parking light
P37	Tail light
X285	Connector for radiator fan (optional)



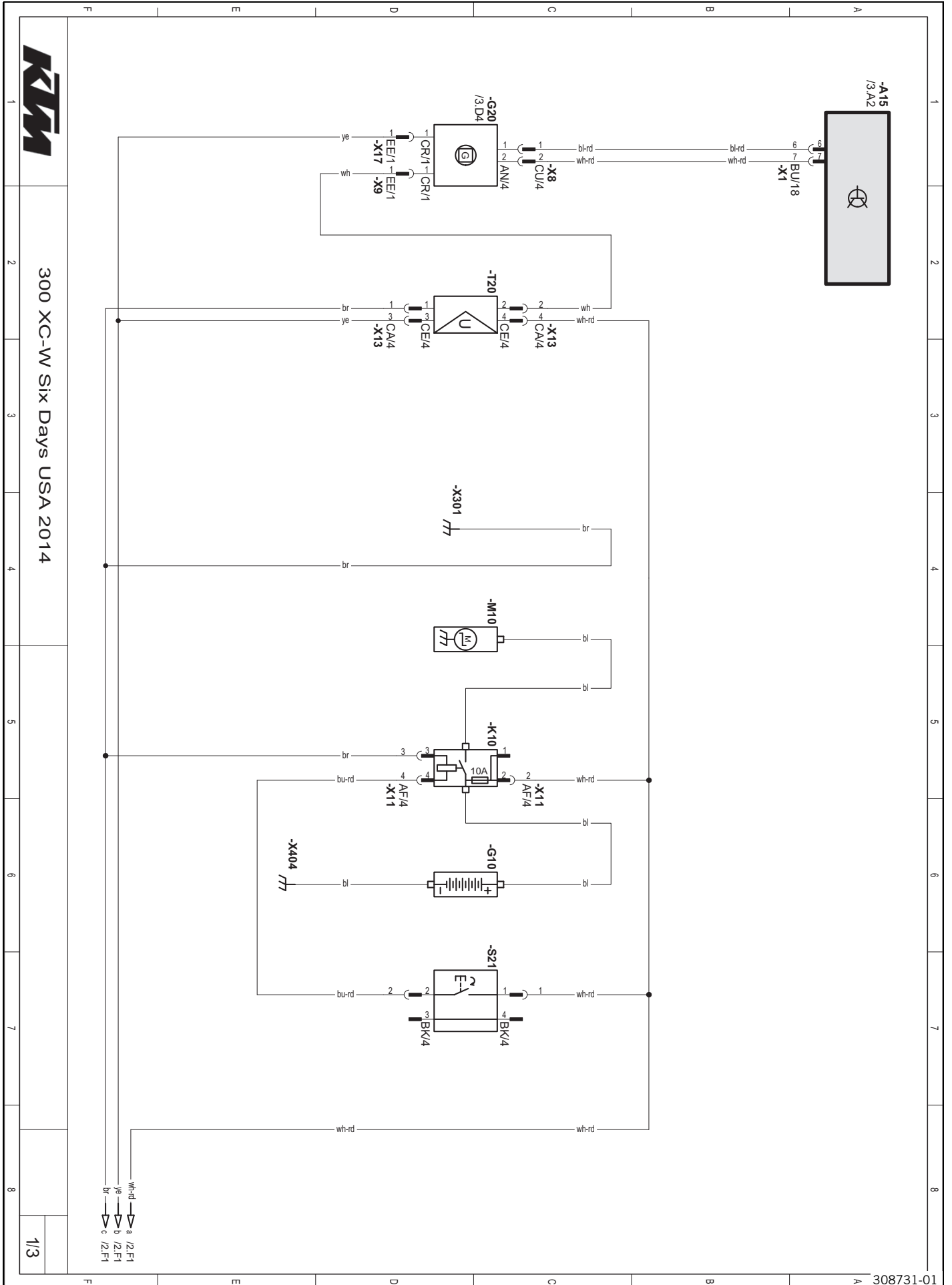
250/300 XC-W USA 2014

Components:

A15	CDI controller
B37	Crankshaft position sensor
R51	Ignition coil (cylinder 1)
S20	Kill switch
S50	Map switch for ride mode (optional)
X280	Connector, ignition timing map
X281	Connector, ignition timing map

Cable colors:

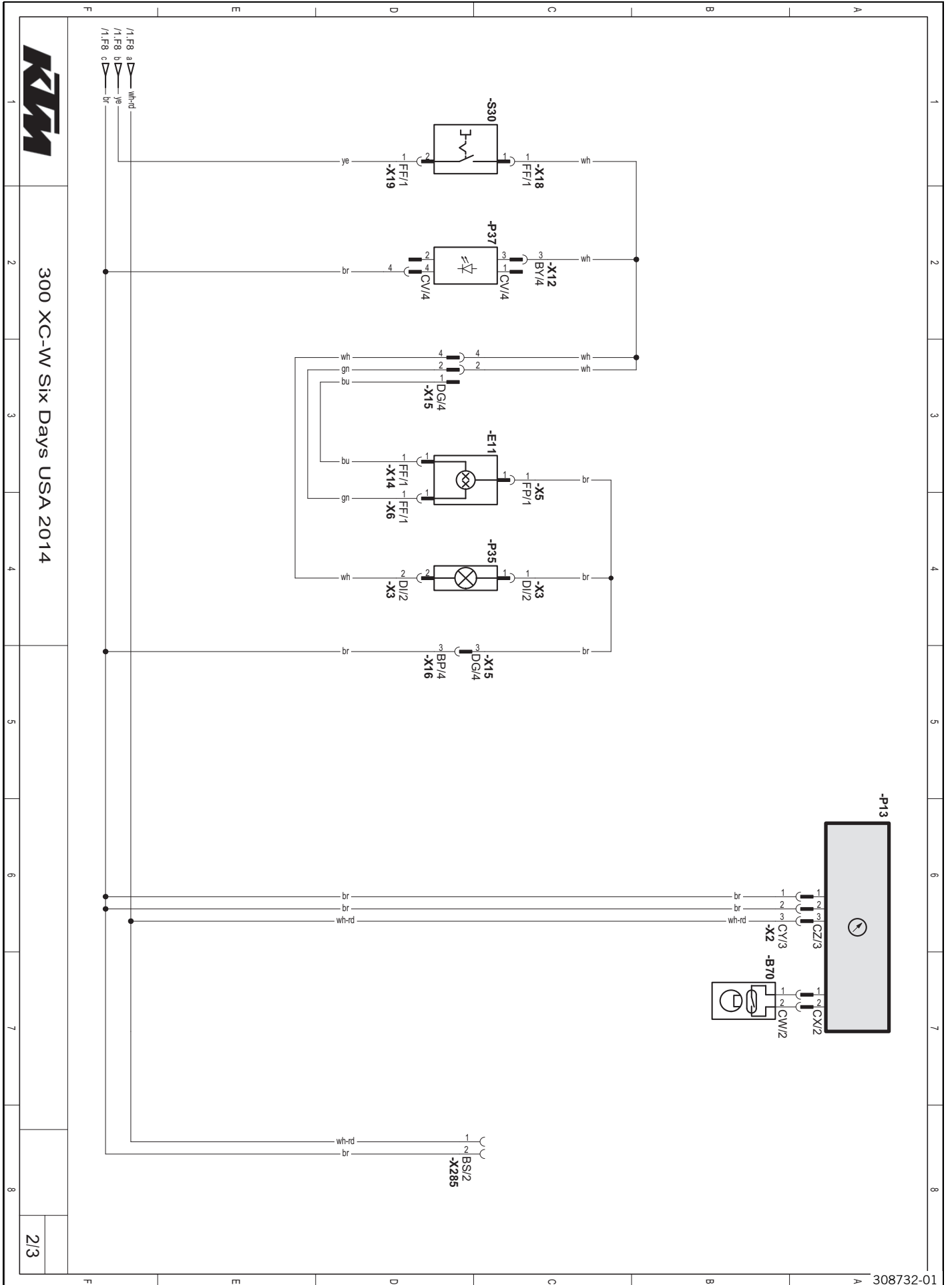
bl	Black
br	Brown
bu	Blue
gn	Green
gr	Gray
lbu	Light blue
or	Orange
pk	Pink
pu	Violet
rd	Red
wh	White
ye	Yellow



300 XC-W Six Days USA 2014

Components:

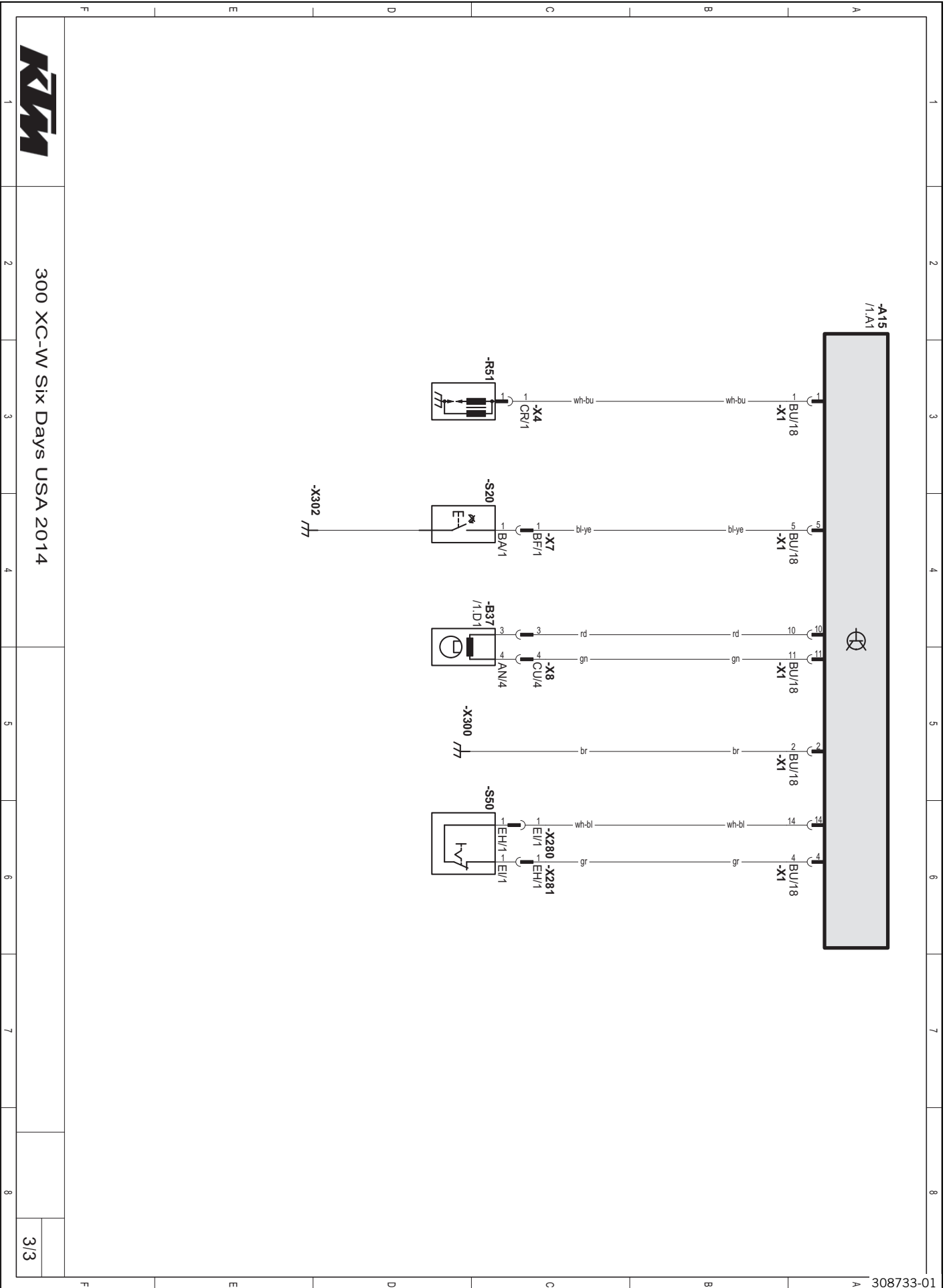
A15	CDI controller
G10	Battery
G20	Alternator
K10	Starter relay with main fuse
M10	Starter motor
S21	Electric starter button
T20	Voltage regulator



300 XC-W Six Days USA 2014

Components:

B70	Wheel speed sensor, front
E11	Low beam
S30	Light switch
P13	Speedometer
P35	Parking light
P37	Tail light
X285	Connector for radiator fan (optional)



300 XC-W Six Days USA 2014

Components:

A15	CDI controller
B37	Crankshaft position sensor
R51	Ignition coil (cylinder 1)
S20	Kill switch
S50	Map switch for ride mode (optional)
X280	Connector, ignition timing map
X281	Connector, ignition timing map

Cable colors:

bl	Black
br	Brown
bu	Blue
gn	Green
gr	Gray
lbu	Light blue
or	Orange
pk	Pink
pu	Violet
rd	Red
wh	White
ye	Yellow

2-stroke engine oil

Standard/classification

- JASO FC (☛ p. 282)

Guideline

- Only use high grade 2-stroke engine oil of a reputable brand.

Fully synthetic

Recommended supplier

Motorex®

- **Cross Power 2T**

Brake fluid DOT 4 / DOT 5.1

Standard/classification

- DOT

Guideline

- Use only brake fluid that complies with the specified standard (see specifications on the container) and that possesses the corresponding properties.

Recommended supplier

Castrol

- **RESPONSE BRAKE FLUID SUPER DOT 4**

Motorex®

- **Brake Fluid DOT 5.1**

Coolant

Guideline

- Use only suitable coolant (even in countries with high temperatures). Using inferior antifreeze can result in corrosion and foaming.
- Use only coolant based on ethylene glycol.

Mixture ratio

Antifreeze protection: -25... -45 °C (-13... -49 °F)	50 % corrosion inhibitor/antifreeze 50 % distilled water
--	---

Coolant (mixed ready to use)

Antifreeze	-40 °C (-40 °F)
------------	-----------------

Recommended supplier

Motorex®

- **COOLANT M5.0**

Engine oil (15W/50)

Standard/classification

- JASO T903 MA (☛ p. 282)
- SAE (☛ p. 282) (15W/50)

Guideline

- Use only engine oils that comply with the specified standards (see specifications on the container) and that possess the corresponding properties.

Recommended supplier

Motorex®

- **Top Speed 4T**

Fork oil (SAE 4) (48601166S1)

Standard/classification

- SAE (☛ p. 282) (SAE 4)

Guideline

- Use only oils that comply with the specified standards (see specifications on the container) and that possess the corresponding properties.

Shock absorber oil (SAE 2.5) (50180342S1)

Standard/classification

- SAE (☛ p. 282) (SAE 2.5)

Guideline

- Use only oils that comply with the specified standards (see specifications on the container) and that possess the corresponding properties.

Super unleaded (ROZ 95/RON 95/PON 91)

Standard/classification

- DIN EN 228 (ROZ 95/RON 95/PON 91)

Guideline

- Only use unleaded super fuel that matches or is equivalent to the specified fuel grade.
- Fuel with an ethanol content of up to 10 % (E10 fuel) is safe to use.



Info

Do **not** use fuel containing methanol (e. g. M15, M85, M100) or more than 10 % ethanol (e. g. E15, E25, E85, E100).

Super unleaded gasoline (95 octane), mixed with 2-stroke engine oil (1:60)

Standard/classification

- DIN EN 228
- JASO FC (☛ p. 282) (1:60)

Mixture ratio

1:60	2-stroke engine oil (☛ p. 268) Super unleaded (ROZ 95/RON 95/PON 91) (☛ p. 269)
------	--

Recommended supplier

Motorex®

- Cross Power 2T

Air filter cleaner

Recommended supplier

Motorex®

- Twin Air Dirt Bio Remover

Chain cleaner

Recommended supplier

Motorex®

- Chain Clean

Cleaning and preserving materials for metal, rubber and plastic

Recommended supplier

Motorex®

- Moto Protect

Fuel additive

Recommended supplier

Motorex®

- Fuel Stabilizer

High viscosity grease

Recommended supplier

SKF®

- LGHB 2

Long-life grease

Recommended supplier

Motorex®

- Bike Grease 2000

Lubricant (T158)

Recommended supplier

Lubcon®

- Turmogrease® PP 300

Lubricant (T511)

Recommended supplier

Lubcon®

- Turmsilon® GTI 300 P

Lubricant (T159)

Recommended supplier

Bel-Ray®

- MC-11®

Lubricant (T625)

Recommended supplier

Molykote®

- 33 Medium

Lubricant (T152)

Recommended supplier

Bel-Ray®

- Molylube® Anti-Seize

Motorcycle cleaner

Recommended supplier

Motorex®

- Moto Clean

Off-road chain spray

Recommended supplier

Motorex®

- Chainlube Offroad

Oil for foam air filter

Recommended supplier

Motorex®

- Twin Air Liquid Bio Power

Universal oil spray

Recommended supplier

Motorex®

- Joker 440 Synthetic

Bleeder cover



Art. no.: 00029013005

Bleeder cover



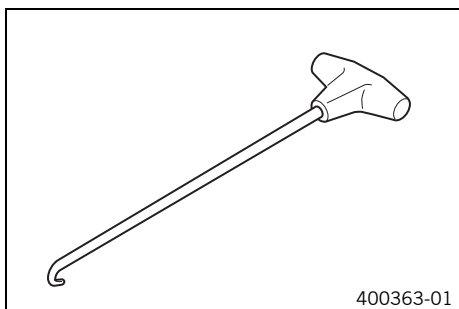
Art. no.: 00029013006

Bleeding device



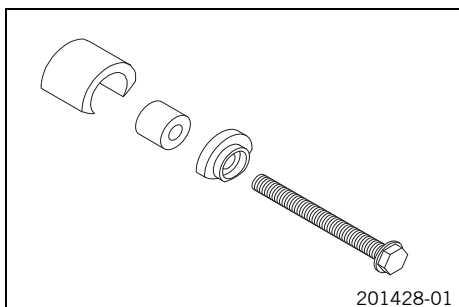
Art. no.: 00029013100

Spring hooks



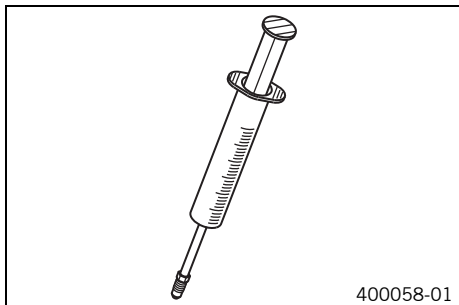
Art. no.: 50305017000

Mounting tool, heim joint



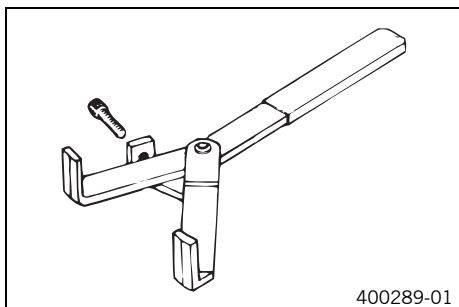
Art. no.: 50329000044

Bleed syringe



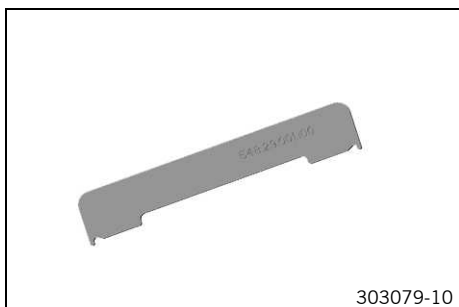
Art. no.: 50329050000

Clutch holder



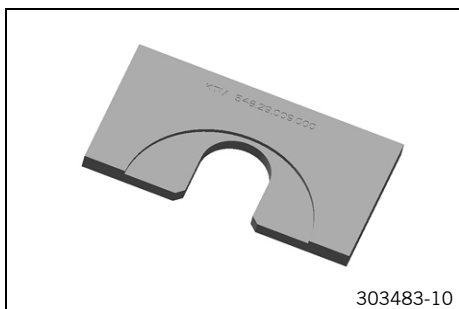
Art. no.: 51129003000

Adjustment gauge



Art. no.: 54829001100

Separator plate



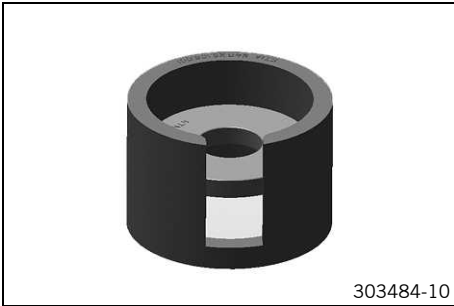
Art. no.: 54829009000

Lift stand



Art. no.: 54829055000

Insert for crankshaft pressing tool



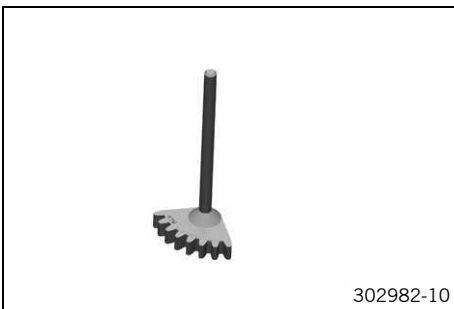
Art. no.: 54829108000

Holding spanner, rotor



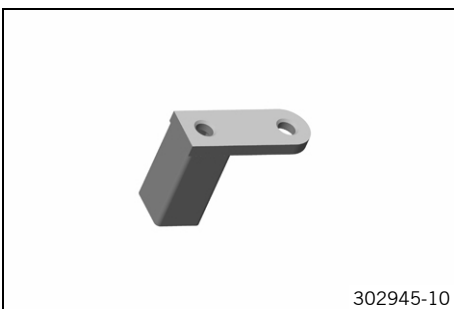
Art. no.: 55129001000

Gear segment



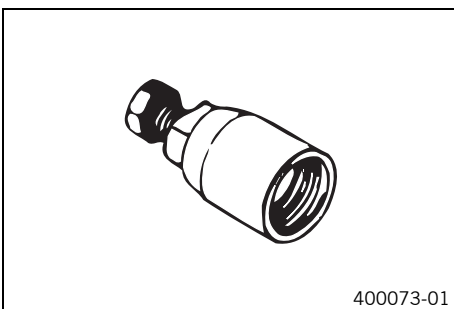
Art. no.: 56012004000

Engine fixing arm



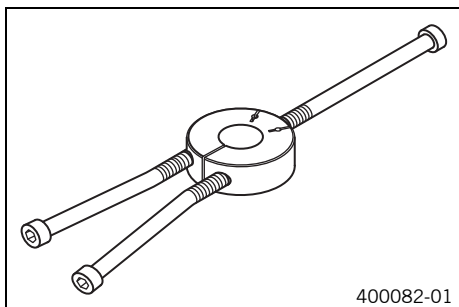
Art. no.: 56029002030

Extractor



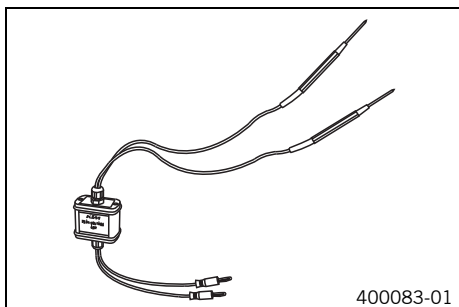
Art. no.: 58012009000

Tool for inner bearing race



Art. no.: 58429037040

Peak voltage adapter



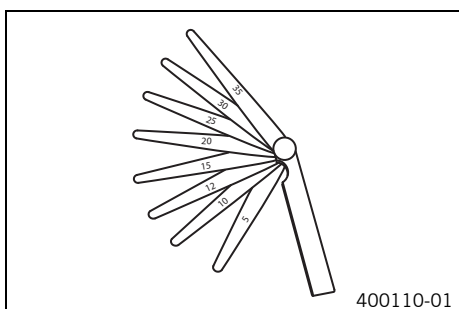
Art. no.: 58429042000

Torque wrench with various accessories in set



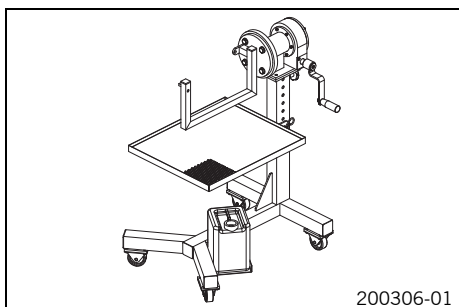
Art. no.: 58429094000

Feeler gauge



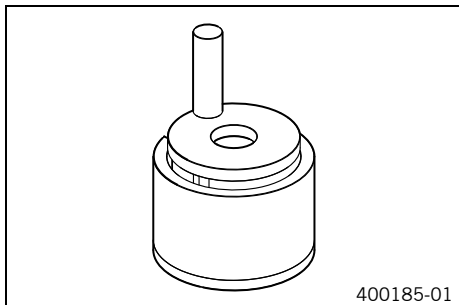
Art. no.: 59029041100

Engine assembly stand



Art. no.: 61229001000

Pressing device for crankshaft, complete



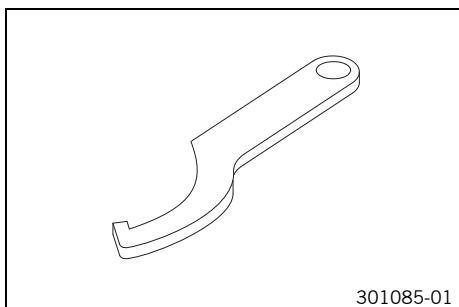
Art. no.: 75029047000

Pin wrench



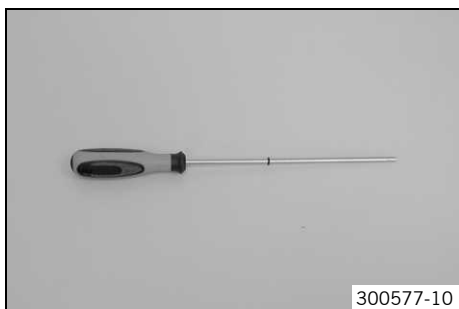
Art. no.: T103

Hook wrench



Art. no.: T106S

Depth micrometer



Art. no.: T107S

Pin



Art. no.: T120

Mounting sleeve



Art. no.: T1204

Calibration pin



Art. no.: T1205

Pressing tool



Art. no.: T1206

Pressing tool



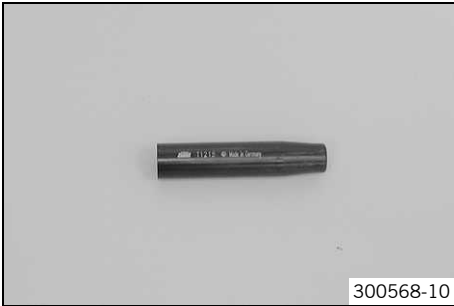
Art. no.: T1207S

Centering sleeve



Art. no.: T1214

Mounting sleeve



Art. no.: T1215

Disassembly tool



Art. no.: T1216

Vacuum pump



Art. no.: T1240S

Protecting sleeve



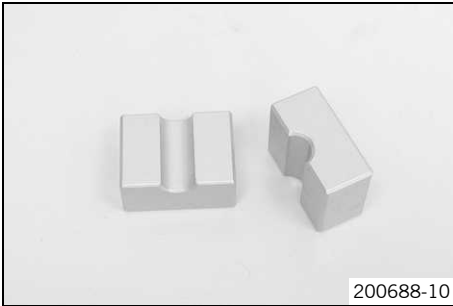
Art. no.: T1401

Clamping stand



Art. no.: T14015S

Clamping stand



Art. no.: T14016S

Gripping tool



Art. no.: T14026S1

Assembly tool



Art. no.: T1402S

Open-end wrench



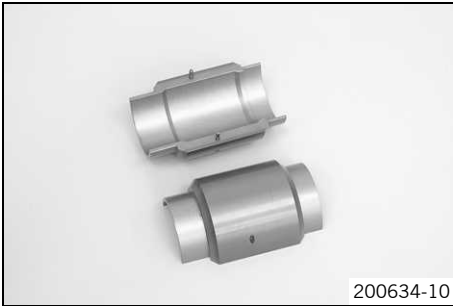
Art. no.: T14032

Clamping stand



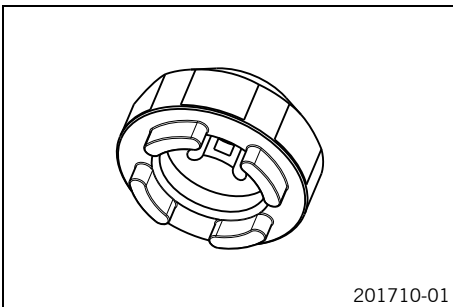
Art. no.: T1403S

Mounting tool



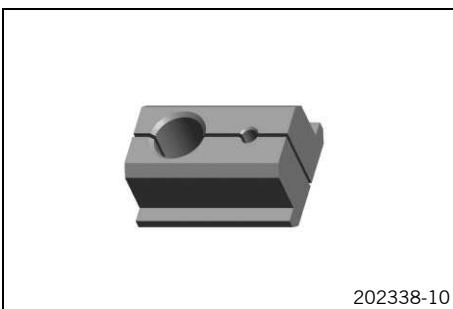
Art. no.: T14040S

Special socket



Art. no.: T14047

Clamping stand



Art. no.: T14049S

Press-out tool



Art. no.: T14051

Press drift



Art. no.: T1504

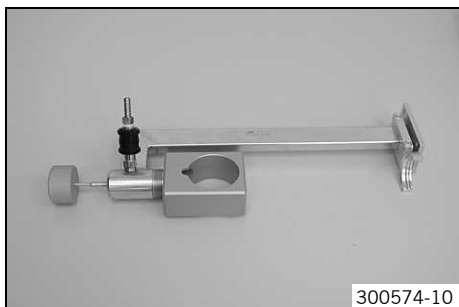
Assembly tool



Art. no.: T150S

200791-10

Nitrogen filling tool



Art. no.: T170S1

300574-10

JASO FC

JASO FC is a classification for a 2-stroke engine oil that was specifically developed for the extreme demands of racing. Thanks to first rate synthetic esters and specially designed additives, superb combustion is achieved even under extreme operating conditions.

JASO T903 MA

Different technical development directions required a new specification for 4-stroke motorcycles – the JASO T903 MA Standard. Earlier, engine oils from the automobile industry were used for 4-stroke motorcycles because there was no separate motorcycle specification. Whereas long service intervals are demanded for automobile engines, high performance at high engine speeds are in the foreground for motorcycle engines. In most motorcycles, the gearbox and the clutch are lubricated with the same oil as the engine. The JASO MA Standard meets these special requirements.

SAE

The SAE viscosity classes were defined by the Society of Automotive Engineers and are used for classifying oils according to their viscosity. The viscosity describes only one property of oil and says nothing about quality.

A

- Accessories** 8
- Air filter**
 - cleaning 84
 - installing 83
 - removing 83
- Air filter box**
 - cleaning 84
 - sealing 84
- Air filter box lid**
 - installing 83
 - removing 83
- Alternator**
 - battery winding, checking 204
 - charging coil of the ignition, checking 204
 - light winding, checking 205
- Antifreeze**
 - checking 195
- Auxiliary substances** 8

B

- Battery**
 - installing 104
 - negative cable, connecting 103
 - negative cable, disconnecting 102
 - recharging 101
 - removing 103
- Brake disc**
 - front brake, installing 94
 - front brake, removing 94
 - rear brake, installing 96
 - rear brake, removing 96
- Brake discs**
 - checking 92
- Brake fluid**
 - front brake, adding 109
 - front brake, changing 110
 - rear brake, adding 114
 - rear brake, changing 115
- Brake fluid level**
 - front brake, checking 109
 - rear brake, checking 114
- Brake linings**
 - front brake, changing 106
 - front brake, checking 106
 - rear brake, changing 112
 - rear brake, checking 111

C

- Capacity**
 - coolant 197, 210
 - fuel 211
 - gear oil 132, 200, 210
- Carburetor**
 - assembling 192
 - disassembling 190
 - float chamber, emptying 187
 - idle speed, adjusting 186
 - installing 188
 - removing 187
 - technical data - carburetor 215-216

- Carburetor - work on individual parts**
 - choke slide, checking 191
 - float level, checking/adjusting 193
 - float needle valve, checking 192
 - jet needle, checking 191
 - throttle slide, checking 191

- Carburetor components**
 - checking/adjusting 189

- Cartridge**
 - fork legs, assembling 23, 46
 - fork legs, disassembling 19, 39

- Chain**
 - checking 98
 - cleaning 97

- Chain guide**
 - checking 98

- Chain tension**
 - adjusting 99
 - checking 97

- Charging voltage**
 - checking 104

- Chassis number** 9
- Choke** 186

- Clutch**
 - fluid level, checking/correcting 194
 - fluid, changing 194

- Clutch lever**
 - basic position, adjusting 54

- Compression damping**
 - fork, adjusting 12, 32

- Compression damping fitting**
 - fork legs, assembling 22
 - fork legs, disassembling 21

- Compression damping, high-speed**
 - shock absorber, adjusting 58

- Compression damping, low-speed**
 - shock absorber, adjusting 58

- Coolant**
 - draining 196
 - refilling 196

- Coolant level**
 - checking 195

- Cooling system** 195

- Crankshaft position sensor**
 - checking 205

- Cylinder - Nikasil® coating** 152

E

- Engine**
 - assembling 170
 - disassembling 133
 - installing 128
 - removing 124
 - technical data - engine 208

work on individual parts	144	spacer, installing	184
Engine - work on the individual parts		starter motor, installing	182
clutch cover	155	transmission shafts, installing	170
clutch, checking	159	water pump cover, installing	177
connecting rod, conrod bearing, and crank pin, changing	146	X-distance, adjusting	180
countershaft, assembling	165	X-distance, checking	179
countershaft, disassembling	163	Z-distance, adjusting	180
crankshaft bearing inner race, installing	146	Engine characteristic	
crankshaft bearing inner race, removing	145	auxiliary spring, setting	198
crankshaft position sensor, installing	206	Engine disassembly	
crankshaft position sensor, removing	206	clutch basket, removing	139
crankshaft run-out at the bearing pin, checking	147	clutch cover, removing	138
cylinder - Nikasil [®] coating	152	clutch discs, removing	138
cylinder, checking/measuring	147	clutch push rod, removing	133
electric starter drive, checking	169	crankshaft, removing	143
exhaust control, checking	150	crankshaft, removing	143
exhaust control, installing	150	cylinder head, removing	136
exhaust control, removing	148	cylinder, removing	136
intake flange, checking	155	engine sprocket, removing	133
kick starter, checking	167	engine, clamping into the engine work stand	133
left engine case section	145	gear oil, draining	133
main shaft, assembling	164	intermediate kick starter gear, removing	140
main shaft, disassembling	162	kick starter shaft, removing	140
membrane, checking	155	kick starter, removing	135
piston ring end gap, checking	154	left engine case section, removing	142
piston, checking	153	locking lever, removing	141
piston, measuring	153	piston, removing	137
piston/cylinder, mounting clearance measuring	154	reed valve housing, removing	142
reed valve housing, checking	155	rotor, removing	141
right engine case section	144	shift drum locating unit, removing	141
shift mechanism, checking	161	shift drum, removing	143
shift shaft, preassembling	160	shift forks, removing	143
stator, installing	206	shift lever, removing	133
stator, removing	206	shift rails, removing	142
transmission, checking	163	shift shaft, removing	141
Engine assembly		spacer, removing	134
clutch basket, installing	174	starter motor, removing	134
clutch cover, installing	176	transmission shafts, removing	143
clutch discs, installing	175	water pump cover, removing	138
clutch push rod, installing	185	Engine guards	
crankshaft, installing	170	installing	57
cylinder head, installing	182	removing	57
cylinder, installing	178	Engine number	9
engine sprocket, installing	184	Engine sprocket	
engine, removing from the work stand	185	checking	98
gear oil drain plug, installing	185	F	
intermediate kick starter gear, installing	173	Figures	8
kick starter shaft, installing	173	Filler cap	
kick starter shaft, preassembling	167	closing	85
kick starter, installing	182	opening	85
left engine case section, installing	171	Foot brake lever	
locking lever, installing	173	basic position, adjusting	113
piston, installing	177	free travel, checking	113
reed valve housing, installing	172	Fork legs	
rotor, installing	172	assembling	24, 47
shift drum locating unit, installing	173	bleeding	13, 33
shift drum, installing	171	cartridge, assembling	23, 46
shift forks, installing	171	cartridge, disassembling	19, 39
shift lever, installing	184	checking	21, 42
shift rails, installing	171	compression damping fitting, assembling	22
shift shaft, installing	173		

compression damping fitting, disassembling 21
 disassembling 16, 36
 dust boots, cleaning 13, 33
 fork service, performing 16, 36
 hydrostop unit, assembling 44
 hydrostop unit, disassembling 41
 installing 14, 35
 piston rod, assembling 44
 piston rod, disassembling 40
 removing 14, 34
 seal ring retainer, assembling 43
 seal ring retainer, disassembling 42
 spring preload, setting 12
 spring, removing 38

Fork part number 9

Fork protector
 installing 15, 36
 removing 15, 35

Fork service, performing 16, 36

Front fender
 installing 89
 removing 89

Front wheel
 installing 93
 removing 93

Fuel tank
 installing 87
 removing 86

Fuel tap 88

Fuse
 main fuse, installing 101
 main fuse, removing 101

G

Gear oil
 adding 200
 changing 199
 draining 199
 refilling 200

Gear oil level
 checking 200

H

Hand brake lever
 basic position, adjusting 108
 free travel, adjusting 108
 free travel, checking 108

Handlebar position 54
 adjusting 54

Headlight
 range, adjusting 117

Headlight mask with headlight
 installing 90
 removing 89

Headlight setting
 checking 117

Heim joint
 changing 79

Hydrostop unit
 fork legs, assembling 44
 fork legs, disassembling 41

I

Ignition coil
 primary winding, checking 202
 secondary winding, checking 203

Ignition system
 checking 202

Ignition timing map
 plug-in connection 101

L

Lower triple clamp
 installing 30, 51
 removing 29, 51

M

Main fuse
 installing 101
 removing 101

Main silencer
 glass fiber yarn filling, changing 81
 installing 81
 removing 81

Motorcycle
 cleaning 220
 raising with lift stand 10
 removing from lift stand 10

O

Open-circuit current
 checking 104

Operating substances 8

P

Piston rod
 fork legs, assembling 44
 fork legs, disassembling 40

Preparing for use
 after storage 222

R

Rear sprocket
 checking 98

Rear wheel
 installing 95
 removing 94

Rebound damping
 fork, adjusting 12, 33
 shock absorber, adjusting 59

Riding sag
 adjusting 61

S

Seal ring retainer
 fork legs, assembling 43
 fork legs, disassembling 42

Seat
 mounting 86

- removing 85
- Service schedule** 223-224
- Servicing the shock absorber** 62
- Shock absorber**
 - damper, assembling 72
 - damper, bleeding and filling 75
 - damper, checking 67
 - damper, disassembling 63
 - damper, filling with nitrogen 77
 - heim joint, installing 69
 - heim joint, removing 68
 - installing 61
 - pilot bushing, replacing 66
 - piston rod, assembling 71
 - piston rod, disassembling 64
 - rebound adjuster, assembling 70
 - rebound adjuster, disassembling 67
 - removing 61
 - riding sag, checking 60
 - seal ring retainer, assembling 70
 - seal ring retainer, disassembling 65
 - shock absorber, servicing 62
 - spring preload, setting 60
 - spring, installing 78
 - spring, removing 62
 - static sag, checking 59
- Shock absorber part number** 9
- Spare parts** 8
- Spark plug connector**
 - checking 203
- Speedometer**
 - additional functions, activating 119
 - adjusting 118
 - clock, setting 119, 122
 - kilometers or miles, setting 118, 121
 - setting 122
 - speedometer overview 117, 121
 - wheel circumference, setting 120, 123
- Spoke tension**
 - checking 92
- Spring**
 - fork legs, removing 38
- Starter motor**
 - checking 207
- Starter relay**
 - checking 105
- Starting** 10-11
- Steering head bearing**
 - greasing 29, 50
- Steering head bearing play**
 - adjusting 32, 53
 - checking 31, 53
- Storage** 222

T

- Technical data**
 - capacities 210
 - carburetor tuning 217

- chassis 211
- chassis tightening torques 214
- electrical system 212
- engine - tolerance, wear limits 209
- engine tightening torques 210
- fork 212
- shock absorber 213
- tires 212
- Throttle cable play**
 - adjusting 56
 - checking 55
- Throttle cable routing**
 - checking 55
- Tire air pressure**
 - checking 91
- Tire condition**
 - checking 91
- Type label** 9
- W**
- Warranty** 8
- Winter operation**
 - checks and maintenance steps 221
- Wiring diagram** 226-267
 - page 1 of 3 256, 262
 - page 1 of 5 226, 236, 246
 - page 2 of 3 258, 264
 - page 2 of 5 228, 238, 248
 - page 3 of 3 260, 266
 - page 3 of 5 230, 240, 250
 - page 4 of 5 232, 242, 252
 - page 5 of 5 234, 244, 254
- Work rules** 7



3206179en

09/2013

