

OWNER'S MANUAL 2015

FE 250 EU

FE 250 AU

FE 250 US

Art. no. 3402023en



THE PIONEERS OF MOTOCROSS


Husqvarna[®]
MOTORCYCLES

DEAR HUSQVARNA CUSTOMER

Congratulations on your decision to purchase a Husqvarna motorcycle. You are now the owner of a state-of-the-art sports motorcycle that will give you enormous pleasure if you service and maintain it accordingly.

We wish you a lot of enjoyment in riding this vehicle.

Please enter the serial number of your vehicle below.

Chassis number (☛ p. 12)	Stamp of dealer
Engine number (☛ p. 12)	
Key number (FE EU/AU) (☛ p. 12)	

The Owner's Manual contained the latest information for this model series at the time of going to print. Slight deviations resulting from continuing development and design of the motorcycles can, however, not be completely excluded.

All specifications are non-binding. Husqvarna Motorcycles GmbH specifically reserves the right to modify or delete technical specifications, prices, colors, forms, materials, services, designs, equipment, etc., without prior notice and without specifying reasons, to adapt these to local conditions, as well as to stop production of a particular model without prior notice. Husqvarna accepts no liability for delivery options, deviations from illustrations and descriptions, as well as misprints and other errors. The models portrayed partly contain special equipment that does not belong to the regular scope of supply.

© 2014 Husqvarna Motorcycles GmbH, Mattighofen Austria

All rights reserved

Reproduction, even in part, as well as copying of all kinds, is permitted only with the express written permission of the copyright owner.



ISO 9001(12 100 6061)

Husqvarna applies quality assurance processes that lead to the highest possible product quality as defined in the ISO 9001 international quality management standard.

Issued by: TÜV Management Service

REG.NO. 12 100 6061

Husqvarna Motorcycles GmbH
5230 Mattighofen, Austria

1	MEANS OF REPRESENTATION	5	7.5	Setting kilometers or miles	21
	1.1 Symbols used	5	7.6	Setting the clock	22
	1.2 Formats used	5	7.7	Setting the service display	22
2	SAFETY ADVICE	6	7.8	Speed, time, and DST distance 1	23
	2.1 Use definition - intended use	6	7.9	Speed, time, and DST2 distance 2	23
	2.2 Safety advice	6	7.10	AVG average speed, ART operating hours, and ODO total distance covered	23
	2.3 Degrees of risk and symbols	6	8	PREPARING FOR USE	24
	2.4 Tampering warning	6	8.1	Advice on first use	24
	2.5 Safe operation	7	8.2	Running-in the engine	25
	2.6 Protective clothing	7	8.3	Preparing the vehicle for difficult riding conditions	25
	2.7 Work rules	7	8.4	Preparing for rides on dry sand	25
	2.8 Environment	7	8.5	Preparing for rides on wet sand	26
	2.9 Owner's Manual	8	8.6	Preparing for rides on wet and muddy surfaces ...	26
3	IMPORTANT NOTES	9	8.7	Preparing for rides at high temperature and slow speed	27
	3.1 Manufacturer and implied warranty	9	8.8	Preparing for rides at low temperature or in snow	27
	3.2 Operating and auxiliary substances	9	9	RIDING INSTRUCTIONS	28
	3.3 Spare parts, accessories	9	9.1	Checks and maintenance work when preparing for use	28
	3.4 Service	9	9.2	Starting	28
	3.5 Figures	9	9.3	Starting off	29
	3.6 Customer service	9	9.4	Shifting, riding	29
4	VIEW OF VEHICLE	10	9.5	Braking	29
	4.1 View of vehicle, front left (example)	10	9.6	Stopping, parking	30
	4.2 View of vehicle, rear right (example)	11	9.7	Transport	30
5	SERIAL NUMBERS	12	9.8	Refueling	31
	5.1 Chassis number	12	10	SERVICE SCHEDULE	32
	5.2 Type label (FE EU/AU)	12	10.1	Service schedule	32
	5.3 Key number (FE EU/AU)	12	10.2	Service work (as additional order)	33
	5.4 Engine number	12	11	TUNING THE CHASSIS	34
	5.5 Fork part number	12	11.1	Checking the basic chassis setting with the rider's weight	34
	5.6 Shock absorber part number	13	11.2	Compression damping of shock absorber	34
6	CONTROLS	14	11.3	Adjusting the low-speed compression damping of the shock absorber	34
	6.1 Clutch lever	14	11.4	Adjusting the high-speed compression damping of the shock absorber	35
	6.2 Hand brake lever	14	11.5	Adjusting the rebound damping of the shock absorber	35
	6.3 Throttle grip	14	11.6	Measuring rear wheel sag unloaded	36
	6.4 Kill switch (FE EU/AU)	14	11.7	Checking the static sag of the shock absorber	36
	6.5 Kill switch (FE US)	14	11.8	Checking the riding sag of the shock absorber	36
	6.6 Horn button (FE EU/AU)	15	11.9	Adjusting the spring preload of the shock absorber 🏹	37
	6.7 Light switch (FE EU/AU)	15	11.10	Adjusting the riding sag 🏹	37
	6.8 Light switch (FE US)	15	11.11	Checking basic setting of fork	38
	6.9 Turn signal switch (FE EU/AU)	15	11.12	Adjusting the compression damping of the fork	38
	6.10 Emergency OFF switch (FE AU)	15	11.13	Adjusting the rebound damping of the fork	39
	6.11 Electric starter button (FE EU/US)	16	11.14	Handlebar position	39
	6.12 Electric starter button (FE AU)	16	11.15	Adjusting the handlebar position 🏹	39
	6.13 Overview of indicator lamps (FE EU/AU)	16	12	SERVICE WORK ON THE CHASSIS	41
	6.14 Overview of indicator lamps (FE US)	16	12.1	Raising the motorcycle with a lift stand	41
	6.15 Opening filler cap	16	12.2	Removing the motorcycle from the lift stand	41
	6.16 Closing filler cap	17	12.3	Bleeding fork legs	41
	6.17 Idle speed adjusting screw	17	12.4	Cleaning the dust boots of the fork legs	41
	6.18 Shift lever	18	12.5	Loosening the fork protector	42
	6.19 Foot brake lever	18	12.6	Positioning the fork protector	42
	6.20 Side stand	18			
	6.21 Steering lock (FE EU/AU)	19			
	6.22 Locking the steering (FE EU/AU)	19			
	6.23 Unlocking the steering (FE EU/AU)	19			
7	SPEEDOMETER	20			
	7.1 Overview	20			
	7.2 Activation	20			
	7.3 Message on the speedometer	20			
	7.4 Setting the speedometer	20			
















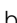




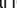























12.7	Removing the fork legs.....	42	13.9	Checking the free travel of foot brake lever.....	70
12.8	Installing the fork legs 	43	13.10	Adjusting the basic position of the foot brake lever 	71
12.9	Removing the fork protector 	43	13.11	Checking the rear brake fluid level.....	71
12.10	Installing the fork protector 	44	13.12	Adding rear brake fluid 	72
12.11	Removing the lower triple clamp 	44	13.13	Checking the rear brake linings.....	73
12.12	Installing the lower triple clamp 	45	13.14	Changing the rear brake linings 	73
12.13	Checking the steering head bearing play.....	46	14	WHEELS, TIRES.....	75
12.14	Adjusting the play of the steering head bearing 	47	14.1	Removing the front wheel 	75
12.15	Lubricating the steering head bearing 	47	14.2	Installing the front wheel 	75
12.16	Removing the front fender.....	48	14.3	Removing the rear wheel 	76
12.17	Installing the front fender.....	48	14.4	Installing the rear wheel 	77
12.18	Removing the shock absorber 	49	14.5	Checking the tire condition.....	77
12.19	Installing the shock absorber 	49	14.6	Checking the tire air pressure.....	78
12.20	Removing the seat.....	49	14.7	Checking spoke tension.....	78
12.21	Mounting the seat.....	49	15	ELECTRICAL SYSTEM.....	80
12.22	Removing the air filter box lid.....	50	15.1	Removing the battery 	80
12.23	Installing the air filter box lid.....	50	15.2	Installing the battery 	80
12.24	Removing the air filter 	50	15.3	Charging the battery 	81
12.25	Installing the air filter 	50	15.4	Changing the main fuse.....	82
12.26	Cleaning the air filter and air filter box 	51	15.5	Changing the fuses of individual power consumers.....	82
12.27	Sealing the air filter box 	51	15.6	Removing the headlight mask with the headlight.....	83
12.28	Removing the manifold 	52	15.7	Installing the headlight mask with the headlight....	84
12.29	Installing the manifold 	53	15.8	Changing the headlight bulb.....	84
12.30	Removing the main silencer.....	54	15.9	Changing the turn signal bulb (FE EU/AU).....	85
12.31	Installing the main silencer.....	55	15.10	Checking the headlight setting.....	85
12.32	Changing the glass fiber yarn filling of the main silencer 	55	15.11	Adjusting the headlight range.....	86
12.33	Removing the right side cover.....	56	15.12	Changing the speedometer battery.....	86
12.34	Installing the right side cover.....	56	16	COOLING SYSTEM.....	87
12.35	Removing the fuel tank 	56	16.1	Cooling system.....	87
12.36	Installing the fuel tank 	58	16.2	Checking the antifreeze and coolant level.....	87
12.37	Checking for chain dirt accumulation.....	59	16.3	Checking the coolant level.....	88
12.38	Cleaning the chain.....	59	16.4	Draining the coolant 	88
12.39	Checking the chain tension.....	59	16.5	Refilling coolant 	89
12.40	Adjusting the chain tension.....	60	17	TUNING THE ENGINE.....	90
12.41	Checking the chain, rear sprocket, engine sprocket and chain guide.....	61	17.1	Checking the play in the throttle cable.....	90
12.42	Checking the frame 	62	17.2	Adjusting the play in the throttle cable 	90
12.43	Checking the swingarm 	63	17.3	Adjusting the idle speed 	91
12.44	Checking the routing of the throttle cable.....	63	17.4	Checking the basic position of the shift lever.....	91
12.45	Checking the rubber grip.....	63	17.5	Adjusting the basic position of the shift lever 	91
12.46	Additionally securing the rubber grip.....	64	18	SERVICE WORK ON THE ENGINE.....	92
12.47	Adjusting the basic position of the clutch lever....	64	18.1	Changing the fuel screen 	92
12.48	Checking/rectifying the fluid level of the hydraulic clutch.....	64	18.2	Checking the engine oil level.....	92
12.49	Changing the hydraulic clutch fluid 	64	18.3	Changing the engine oil and oil filter, cleaning the oil screen 	93
12.50	Removing the engine guard.....	65	18.4	Adding engine oil.....	95
12.51	Installing the engine guard.....	65	19	CLEANING, CARE.....	96
13	BRAKE SYSTEM.....	66	19.1	Cleaning the motorcycle.....	96
13.1	Checking free travel of hand brake lever.....	66	19.2	Checks and maintenance steps for winter operation.....	97
13.2	Adjusting free travel of hand brake lever (FE EU/AU).....	66	20	STORAGE.....	98
13.3	Adjusting the basic position of the hand brake lever (FE US).....	66	20.1	Storage.....	98
13.4	Checking the brake discs.....	67	20.2	Preparing for use after storage.....	98
13.5	Checking the front brake fluid level.....	67	21	TROUBLESHOOTING.....	99
13.6	Adding front brake fluid 	67	22	BLINK CODE.....	101
13.7	Checking the front brake linings.....	68	23	TECHNICAL DATA.....	103
13.8	Changing the front brake linings 	69	23.1	Engine.....	103
			23.2	Engine tightening torques.....	103

TABLE OF CONTENTS

23.3	Capacities.....	105
23.3.1	Engine oil.....	105
23.3.2	Coolant	105
23.3.3	Fuel.....	105
23.4	Chassis.....	105
23.5	Electrical system	106
23.6	Tires.....	106
23.7	Fork	106
23.8	Shock absorber	107
23.9	Chassis tightening torques.....	107
24	SUBSTANCES	109
25	AUXILIARY SUBSTANCES	111
26	STANDARDS.....	112
	INDEX.....	113

1.1 Symbols used

The meaning of specific symbols is described below.

-
- | | |
|--|---|
|  | Identifies an expected reaction (e.g. of a work step or a function). |
|  | Identifies an unexpected reaction (e.g. of a work step or a function). |
|  | All work marked with this symbol requires specialist knowledge and technical understanding. In the interest of your own safety, have these jobs performed by an authorized Husqvarna workshop. There, your motorcycle will be optimally cared for by specially trained experts using the specialist tools required. |
|  | Identifies a page reference (more information is provided on the specified page). |
-

1.2 Formats used

The typographical formats used in this document are explained below.

-
- | | |
|--------------------------|--|
| Specific name | Identifies a proprietary name. |
| Name[®] | Identifies a protected name. |
| Brand[™] | Identifies a brand available on the open market. |
-

2.1 Use definition - intended use

(FE EU/AU)

Husqvarna sport motorcycles are designed and built to withstand the normal stresses and strains of competitive use. The motorcycles comply with currently valid regulations and categories of the top international motorsport organizations.

Info

The vehicle should only be used by trained persons. The motorcycle is authorized for public road traffic in the homologous (reduced) version only.

In the derestricted version, the motorcycle must be used only on closed off properties remote from public road traffic.

This motorcycle is designed for use in offroad endurance competition and not primarily for use in motocross.

(FE US)

Husqvarna sport motorcycles are designed and built to withstand the normal stresses and strains of competitive use. The motorcycles comply with currently valid regulations and categories of the top international motorsport organizations.

Info

The motorcycle may only be used in closed off areas remote from public road traffic.

This motorcycle is designed for use in offroad endurance competition and not primarily for use in motocross.

2.2 Safety advice

A number of safety instructions need to be followed to operate the vehicle safely. Therefore, read this manual carefully. The safety instructions are highlighted in the text and are referred to at the relevant passages.

Info

The vehicle has various information and warning labels at prominent locations. Do not remove information/warning labels. If they are missing, you or others may not recognize dangers and may therefore be injured.

2.3 Degrees of risk and symbols

Danger

Identifies a danger that will immediately and invariably lead to fatal or serious permanent injury if the appropriate measures are not taken.

Warning

Identifies a danger that is likely to lead to fatal or serious injury if the appropriate measures are not taken.

Caution

Identifies a danger that may lead to minor injuries if the appropriate measures are not taken.

Note

Identifies a danger that will lead to considerable machine and material damage if the appropriate measures are not taken.

Warning

Identifies a danger that will lead to environmental damage if the appropriate measures are not taken.

2.4 Tampering warning

Tampering with the noise control system is prohibited. Federal law prohibits the following acts or the causing thereof:

- 1 The removal or rendering inoperative by any person other than for purposes of maintenance, repair, or replacement, of any device or element of design incorporated into any new vehicle for the purpose of noise control prior to its sale or delivery to the ultimate purchaser or while it is in use, or
- 2 the use of the vehicle after such device or element of design has been removed or rendered inoperative by any person.

Among those acts presumed to constitute tampering are the acts listed below:

- 1 Removal or puncturing of the main silencer, baffles, header pipes or any other components which conduct exhaust gases.
- 2 Removal or puncturing of parts of the intake system.
- 3 Lack of proper maintenance.
- 4 Replacing moving part of the vehicle, or parts of the exhaust or intake system, with parts other than those specified by the manufacturer.

2.5 Safe operation



Danger

Danger of accidents Danger arising from the rider's judgement being impaired.

- Do not operate the vehicle while under the influence of alcohol, drugs and certain medications or physically or mentally impaired.



Danger

Danger of poisoning Exhaust gases are toxic and inhaling them may result in unconsciousness and/or death.

- When running the engine, always make sure there is sufficient ventilation, and do not start or run the engine in an enclosed space without an effective exhaust extraction system.



Warning

Danger of burns Some vehicle components become very hot when the vehicle is operated.

- Do not touch hot components such as exhaust system, radiator, engine, shock absorber, and the brake system. Allow these components to cool down before starting work on them.

Only operate the vehicle when it is in perfect technical condition, in accordance with its intended use, and in a safe and environmentally compatible manner.

An appropriate driver's license is needed to ride the vehicle on public roads.

Have malfunctions that impair safety promptly eliminated by an authorized Husqvarna workshop.

Adhere to the information and warning labels on the vehicle.

2.6 Protective clothing



Warning

Risk of injury Missing or poor protective clothing presents an increased safety risk.

- Wear protective clothing (helmet, boots, gloves, pants and jacket with protectors) every time you ride the vehicle. Always wear protective clothing that is in good condition and meets the legal requirements.

In the interest of your own safety, Husqvarna recommends that you only operate the vehicle while wearing protective clothing.

2.7 Work rules

Special tools are necessary for certain tasks. The tools are not contained in the vehicle but can be ordered under the number in parentheses. E.g.: bearing puller (15112017000)

During assembly, non-reusable parts (e.g. self-locking screws and nuts, seals and seal rings, O-rings, pins, lock washers) must be replaced by new parts.

In some instances, a thread locker (e.g. **Loctite**[®]) is required. The manufacturer instructions for use must be followed.

After disassembly, clean the parts that are to be reused and check them for damage and wear. Change damaged or worn parts.

After you complete the repair or service work, check the operating safety of the vehicle.

2.8 Environment

If you use your motorcycle responsibly, you can ensure that problems and conflicts do not occur. To protect the future of the motorcycle sport, make sure that you use your motorcycle legally, display environmental consciousness, and respect the rights of others.

When disposing of used oil, other operating and auxiliary fluids, and used components, comply with the laws and regulations of the respective country.

Because motorcycles are not subject to the EU regulations governing the disposal of used vehicles, there are no legal regulations that pertain to the disposal of an end-of-life motorcycle. Your authorized Husqvarna dealer will be glad to advise you.

2.9 Owner's Manual

It is important that you read this Owner's Manual carefully and completely before making your first trip. The Owner's Manual contains useful information and many tips on how to operate, handle, and maintain your motorcycle. Only then will you find out how to customize the vehicle ideally for your own use and how you can protect yourself from injury.

Keep the Owner's Manual in an accessible place to enable you to refer to it as needed.

If you would like to know more about the vehicle or have questions on the material you read, please contact an authorized Husqvarna dealer.

The Owner's Manual is an important component of the vehicle and should be handed over to the new owner if the vehicle is sold.

3.1 Manufacturer and implied warranty

The work prescribed in the service schedule must be carried out by an authorized Husqvarna workshop only and confirmed in the customer's service record and in the **Husqvarna dealer.net**; otherwise, all warranty claims will be void. No warranty claims can be considered for damage resulting from manipulations and/or alterations to the vehicle.

Additional information on the manufacturer or implied warranty and the procedures involved can be found in the service booklet.

3.2 Operating and auxiliary substances



Warning

Environmental hazard Improper handling of fuel is a danger to the environment.

- Do not allow fuel to get into the ground water, the ground, or the sewage system.

Use operating and auxiliary substances (such as fuel and lubricants) as specified in the Owner's Manual.

3.3 Spare parts, accessories

For your own safety, only use spare parts and accessory products that are approved and/or recommended by Husqvarna and have them installed by an authorized Husqvarna workshop. Husqvarna accepts no liability for other products and any resulting damage or loss.

Certain spare parts and accessory products are specified in parentheses in the descriptions. Your Husqvarna dealer will be glad to advise you.

The current **Husky Power** for your vehicle can be found on the Husqvarna website.

International Husqvarna website: www.husqvarna-motorcycles.com

3.4 Service

A prerequisite for perfect operation and prevention of premature wear is that the service, care, and tuning work on the engine and chassis is properly carried out as described in the Owner's Manual. Incorrect adjustment and tuning of the engine and chassis can lead to damage and breakage of components.

Use of the vehicle under difficult conditions, such as on sand or on wet and muddy surfaces, can lead to considerably more rapid wear of components such as the drive train, brake system, or suspension components. For this reason, it may be necessary to inspect or replace parts before the next scheduled service.

It is imperative that you adhere to the stipulated run-in times and service intervals. If you observe these exactly, you will ensure a much longer service life for your motorcycle.

3.5 Figures

The figures contained in the manual may depict special equipment.

In the interest of clarity, some components may be shown disassembled or may not be shown at all. It is not always necessary to disassemble the component to perform the activity in question. Please follow the instructions in the text.

3.6 Customer service

Your authorized Husqvarna dealer will be happy to answer any questions you may have on your vehicle and Husqvarna.

A list of authorized Husqvarna dealers can be found on the Husqvarna website.

International Husqvarna website: www.husqvarna-motorcycles.com

4.1 View of vehicle, front left (example)



1	Filler cap
2	Air filter box lid
3	Shift lever (☛ p. 18)
4	Engine number (☛ p. 12)
5	Side stand (☛ p. 18)

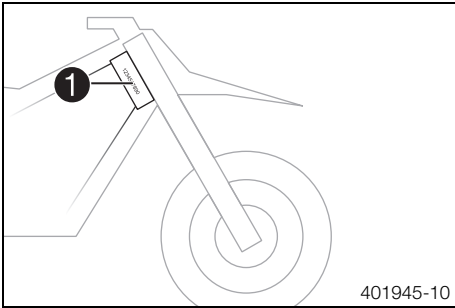
4.2 View of vehicle, rear right (example)



B02232-10

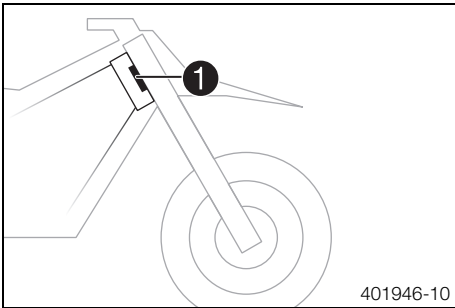
1	Fork compression adjustment
2	Kill switch (☛ p. 14)
2	Horn button (☛ p. 15)
2	Light switch (☛ p. 15)
2	Turn signal switch (☛ p. 15)
3	Emergency OFF switch (☛ p. 15)
3	Electric starter button (☛ p. 16)
4	Throttle grip (☛ p. 14)
5	Fork rebound adjustment
6	Shock absorber rebound adjustment
7	Level viewer for brake fluid, rear
8	Shock absorber compression adjustment
9	Level viewer, engine oil
10	Foot brake lever (☛ p. 18)

5.1 Chassis number



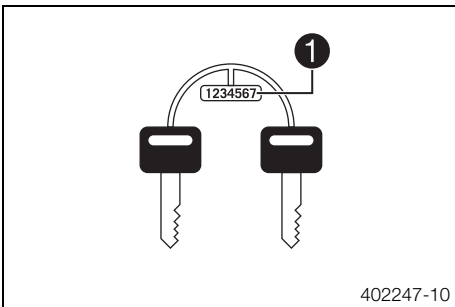
The chassis number ① is stamped on the steering head on the right.

5.2 Type label (FE EU/AU)



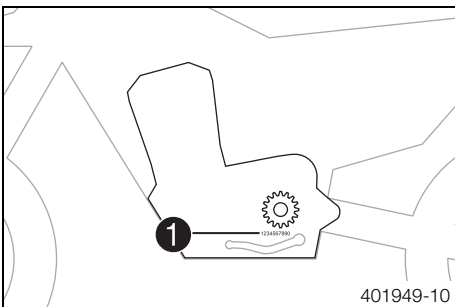
The type label ① is fixed to the front of the steering head.

5.3 Key number (FE EU/AU)



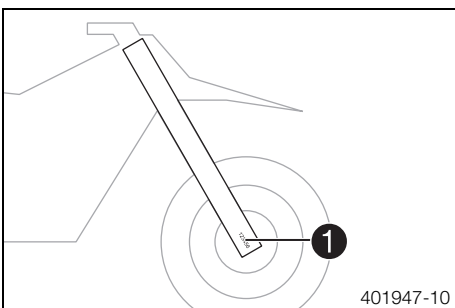
The key number ① for the steering lock is stamped onto the key connector.

5.4 Engine number



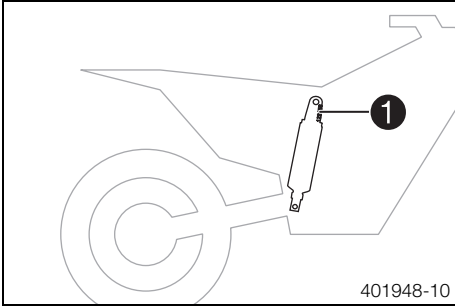
The engine number ① is stamped on the left side of the engine under the engine sprocket.

5.5 Fork part number



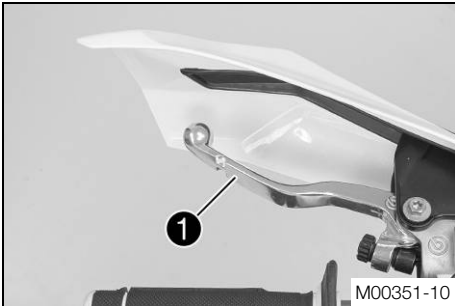
The fork part number ① is stamped on the inner side of the fork stub.

5.6 Shock absorber part number



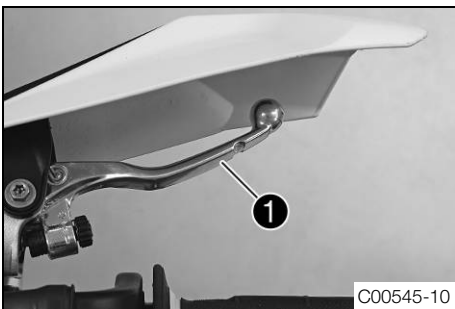
The shock absorber part number **1** is stamped on the top of the shock absorber above the adjusting ring on the engine side.

6.1 Clutch lever



The clutch lever **1** is fitted on the left side of the handlebar. The clutch is hydraulically operated and self-adjusting.

6.2 Hand brake lever



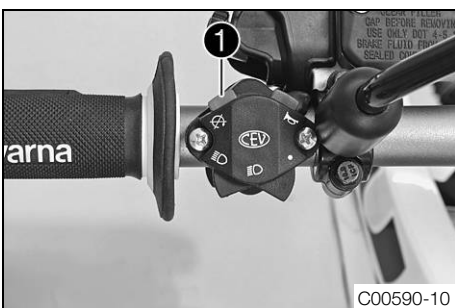
Hand brake lever **1** is located on the right side of the handlebar. The hand brake lever is used to activate the front brake.

6.3 Throttle grip





The throttle grip **1** is fitted on the right side of the handlebar.

6.4 Kill switch (FE EU/AU)

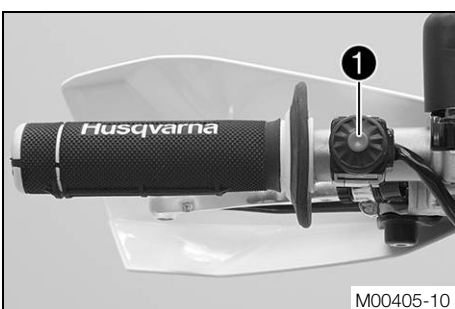


Kill switch **1** is fitted on the left side of the handlebar.

Possible states



- Kill switch  in basic position – the ignition circuit is closed in this position and the engine can be started.
- Kill switch  pressed – the ignition circuit is open in this position, the engine goes out if it was running, or does not start if it was off.

6.5 Kill switch (FE US)

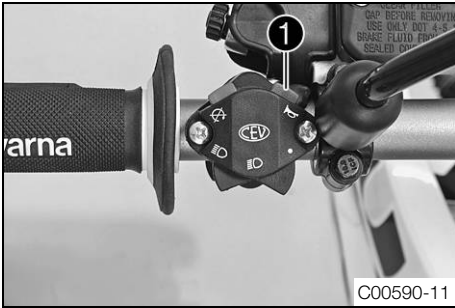


Kill switch **1** is fitted on the left side of the handlebar.

Possible states



- Kill switch  in basic position – the ignition circuit is closed in this position and the engine can be started.
- Kill switch  pressed – the ignition circuit is open in this position, the engine goes out if it was running, or does not start if it was off.

6.6 Horn button (FE EU/AU)

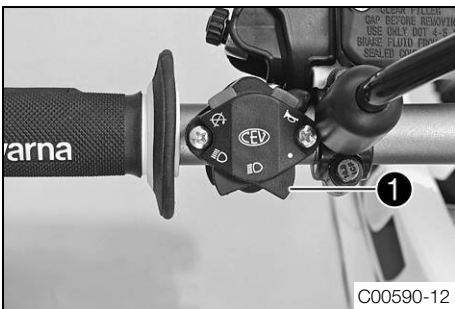


The horn button ❶ is fitted on the left side of the handlebar.

Possible states




- Horn button  in neutral position
- Horn button  pressed – the horn is actuated in this position.

6.7 Light switch (FE EU/AU)



The light switch ❶ is fitted on the left side of the handlebar.

Possible states

	Light off – Light switch is turned to the right. In this position, the light is switched off.
	Low beam on – Light switch is in the central position. In this position, the low beam and tail light are switched on.
	High beam on – Light switch is turned to the left. In this position, the high beam and the tail light are switched on.

6.8 Light switch (FE US)

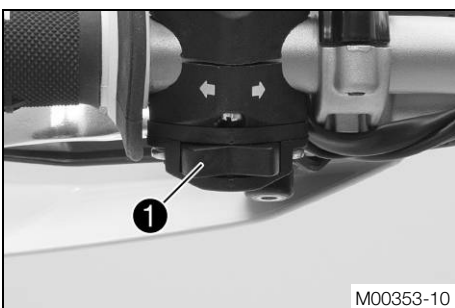


The light switch ❶ is on the left of the speedometer.

Possible states

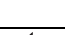


- Light off – Light switch is pressed in up to the stop. In this position, the light is switched off.
- Light on – Light switch is pulled out to the stop. In this position, the low beam and tail light are switched on.

6.9 Turn signal switch (FE EU/AU)

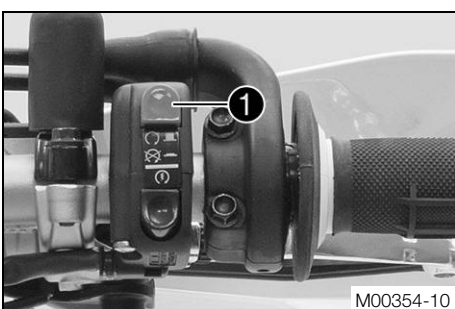


Turn signal switch ❶ is fitted on the left side of the handlebar.

Possible states



	Turn signal light off – Turn signal switch is in the central position.
	Turn signal light, left, on – Turn signal switch is turned to the left.
	Turn signal light, right, on – Turn signal switch is turned to the right.

6.10 Emergency OFF switch (FE AU)

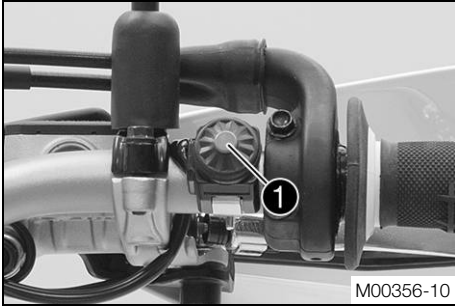


The emergency OFF switch ❶ is fitted on the right side of the handlebar.

Possible states

	Ignition off – the ignition circuit is open in this position, the engine goes out if it was running, or does not start if it was off.
	Ignition on – the ignition circuit is closed in this position and the engine can be started.

6.11 Electric starter button (FE EU/US)

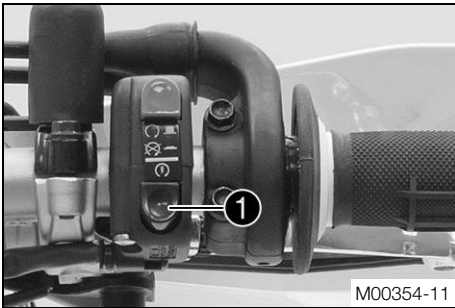


The electric starter button ① is fitted on the right side of the handlebar.

Possible states

- Electric starter button ③ in basic position
- Electric starter button ③ pressed – the electric starter is actuated in this position.

6.12 Electric starter button (FE AU)



The electric starter button ① is fitted on the right side of the handlebar.

Possible states

- Electric starter button ③ in basic position
- Electric starter button ③ pressed – the electric starter is actuated in this position.

6.13 Overview of indicator lamps (FE EU/AU)



Possible states

	High beam indicator light lights up blue – High beam is switched on.
	FI warning lamp (MIL) lights up/flashes orange – The OBD has detected an emission- or safety-critical fault.
	The fuel level warning lamp lights up orange – The fuel level has reached the reserve mark.
	Turn signal indicator light flashes green – Turn signal is switched on.

6.14 Overview of indicator lamps (FE US)



Possible states

	FI warning lamp (MIL) lights up/flashes orange – The OBD has detected an emission- or safety-critical fault.
	The fuel level warning lamp lights up orange – The fuel level has reached the reserve mark.

6.15 Opening filler cap



Danger

Fire hazard Fuel is highly flammable.

- Never refuel the vehicle near open flames or burning cigarettes, and always switch off the engine first. Be careful that no fuel is spilt, especially on hot vehicle components. Clean up spilt fuel immediately.
- The fuel in the fuel tank expands when warm and may emerge if overfilled. Follow the instructions on refueling.



Warning

Danger of poisoning Fuel is poisonous and a health hazard.

- Fuel must not come into contact with the skin, eyes, or clothing. Do not breathe in the fuel vapors. If contact occurs with the eyes, rinse with water immediately and contact a physician. Immediately clean contaminated areas on the skin with soap and water. If fuel is swallowed, contact a physician immediately. Change clothing that is contaminated with fuel. Store fuel properly in a suitable canister and keep away from children.



Warning

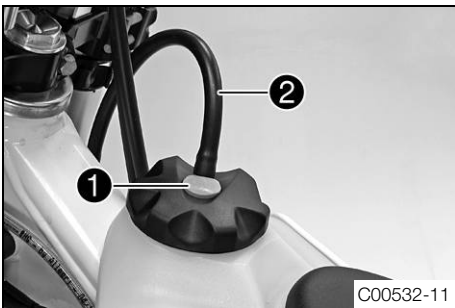
Environmental hazard Improper handling of fuel is a danger to the environment.

- Do not allow fuel to get into the ground water, the ground, or the sewage system.



- Press release button **1**, turn filler cap counterclockwise and lift it upwards and remove.

6.16 Closing filler cap



- Replace the filler cap and turn clockwise until the release button **1** locks in place.

i Info

Route the fuel tank breather hose **2** without kinking.

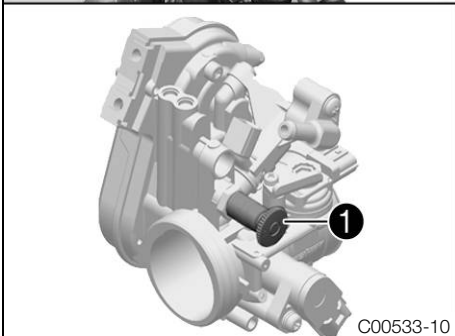
6.17 Idle speed adjusting screw



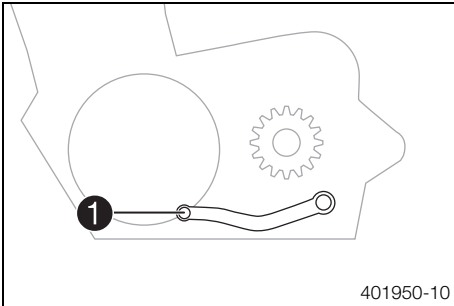
Idle speed adjusting screw **1** is located at the top left of the throttle valve body. The idle speed adjusting screw has two functions. Turning it controls the idle speed. Pulling it out all the way raises the idle speed during a cold start.

Possible states

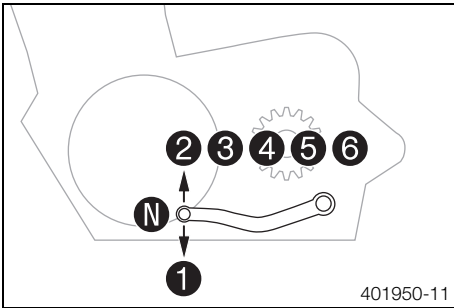
- RPM increase activated – Idle speed adjusting screw is pulled out all the way.
- RPM increase deactivated – Idle speed adjusting screw is pushed in all the way.



6.18 Shift lever

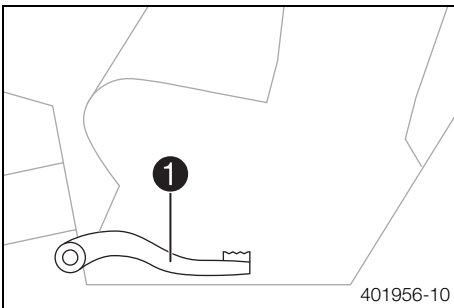


Shift lever **1** is mounted on the left side of the engine.



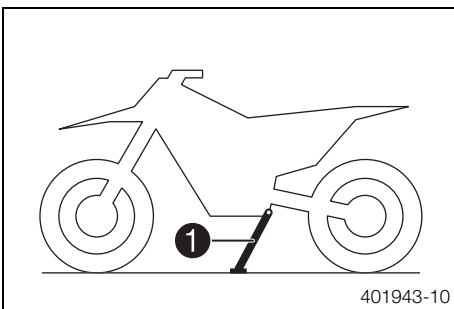
The gear positions can be seen in the photograph. The neutral or idle position is between the first and second gears.

6.19 Foot brake lever

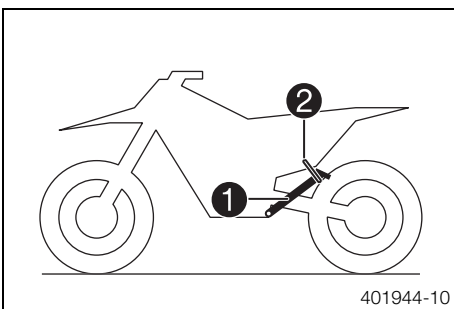


Foot brake lever **1** is located in front of the right footrest. The foot brake lever is used to activate the rear brake.

6.20 Side stand



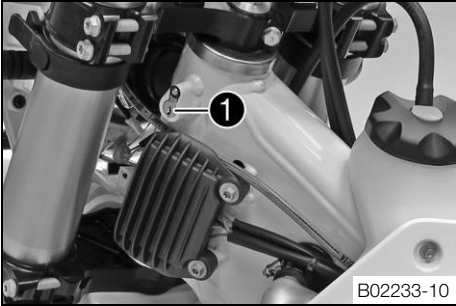
The side stand **1** is located on the left side of the vehicle.



The side stand is used for parking the motorcycle.

i Info When you are riding, the side stand **1** must be folded up and secured with rubber band **2**.

6.21 Steering lock (FE EU/AU)



Steering lock ❶ is fitted on the left side of the steering head. The steering lock is used to lock the steering. Steering, and therefore riding, is no longer possible.

6.22 Locking the steering (FE EU/AU)

Note

Danger of damage The parked vehicle may roll away or fall over.

- Always place the vehicle on a firm and even surface.



- Park the vehicle.
- Turn the handlebar as far as possible to the right.
- Insert the key in the steering lock, turn it to the left, press it in and turn it to the right. Remove the key.
- ✓ Steering is no longer possible.



Info

Never leave the key in the steering lock.

6.23 Unlocking the steering (FE EU/AU)



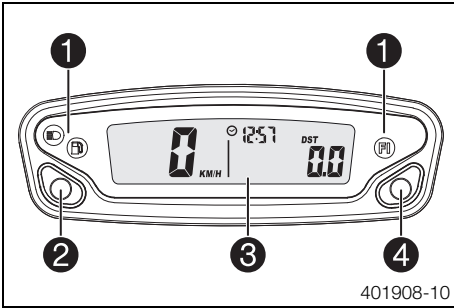
- Insert the key in the steering lock, turn it to the left, pull it out and turn it to the right. Remove the key.
- ✓ You can now steer the bike again.



Info

Never leave the key in the steering lock.

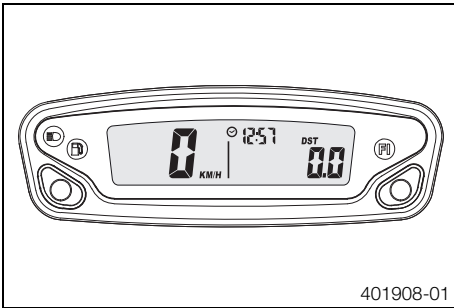
7.1 Overview



401908-10

1	Overview of indicator lamps (☛ p. 16)
2	Left button
3	Display
4	Right button

7.2 Activation

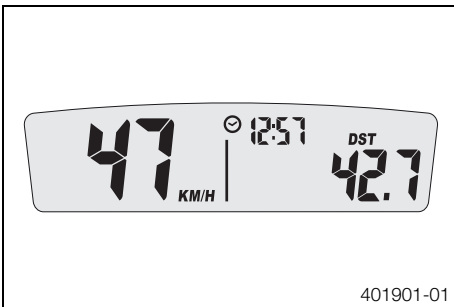


401908-01

Activating the speedometer

The speedometer is activated when one of the buttons is pressed or an impulse comes from the wheel speed sensor.

7.3 Message on the speedometer

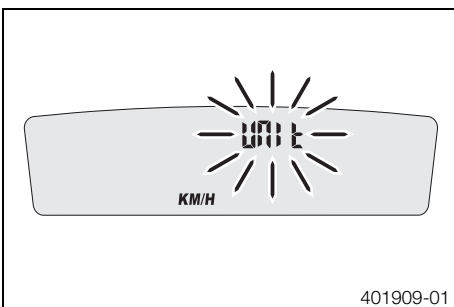


401901-01

Possible states

	Battery voltage of the speedometer – Battery voltage of the speedometer is too low. Change the battery.
	Service – Service is due. Contact an authorized Husqvarna workshop.

7.4 Setting the speedometer

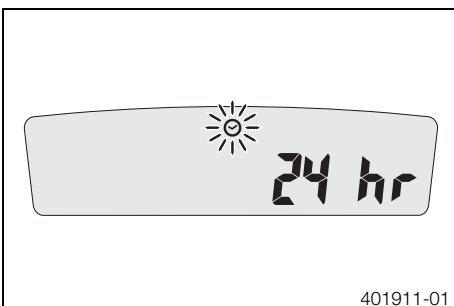


401909-01

Condition

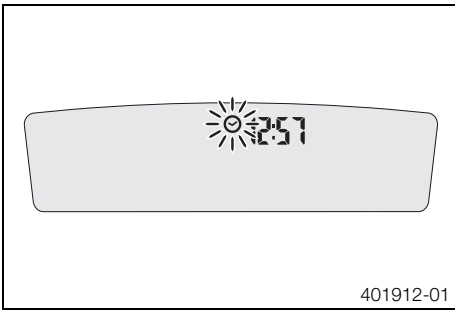
The motorcycle is stationary.

- Press both buttons for 3–5 seconds.
 - ✓ The Setup menu is displayed. The **UNIT** display flashes.
- Press one of the buttons to select **UNIT** for the speed in kilometers **KM/H** or miles **M/H**.



401911-01

- Wait for 5 seconds.
 - ✓ The speedometer changes to the next menu item. The ☉ symbol flashes.
- Press one of the buttons to select the 24h or 12h display of the clock.



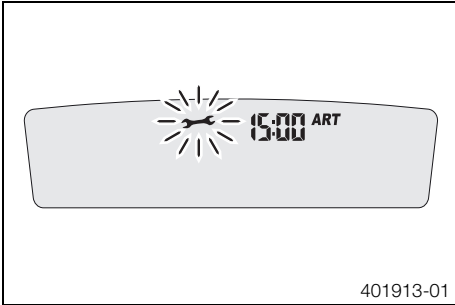
- Wait for 5 seconds.
- ✓ The speedometer changes to the next menu item. The ☀ symbol flashes.

Resetting the time

- Press the left button.
- ✓ The value decreases.

Advancing the time

- Press the right button.
- ✓ The value increases.



- Wait for 5 seconds.
- ✓ The speedometer changes to the next menu item. The ⚙ symbol flashes.
- Set the service.

Guideline

One-time service after	1 h
Service every	15 h

Shortening the service interval

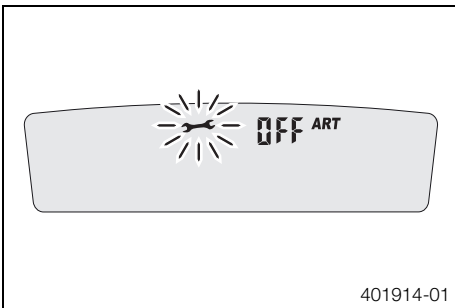
- Press the left button.
- ✓ The value decreases.

Extending the service interval

- Press the right button.
- ✓ The value increases.

Switching off the service interval display

- Press and hold the left button.
- ✓ **off** appears on the display.



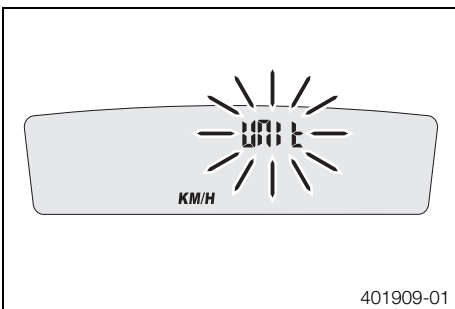
7.5 Setting kilometers or miles

i Info If you change the unit of measure, the **ODO** value is retained and converted accordingly.

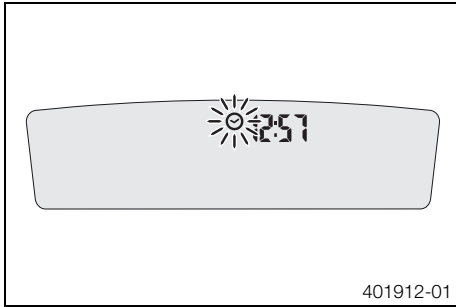
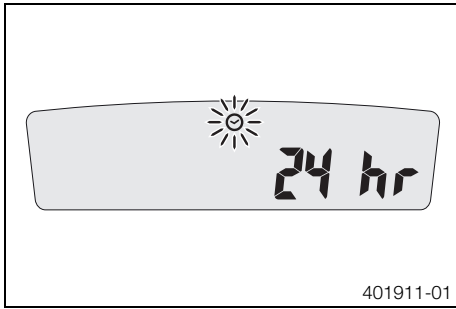
Condition

The motorcycle is stationary.

- Press both buttons for 3–5 seconds.
- ✓ The Setup menu is displayed. The **UNIT** display flashes.
- Press one of the buttons to select **UNIT** for the speed in kilometers **KM/H** or miles **M/H**.



7.6 Setting the clock



Condition

The motorcycle is stationary.

- Press both buttons for 3–5 seconds.
 - ✓ The Setup menu is displayed. The **UNIT** display flashes.
- Wait for the menu of the clock ☀ to flash.
- Press one of the buttons to select the 24h or 12h display of the clock.

- Wait for 5 seconds.

- ✓ The speedometer changes to the next menu item. The ☀ symbol flashes.

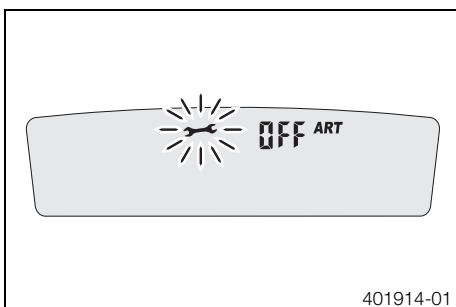
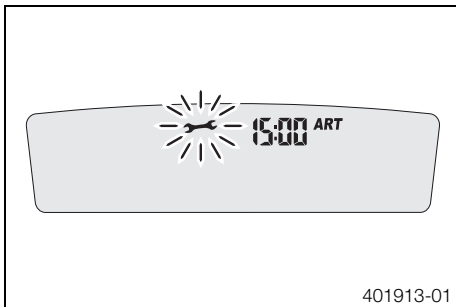
Resetting the time

- Press the left button.
 - ✓ The value decreases.

Advancing the time

- Press the right button.
 - ✓ The value increases.

7.7 Setting the service display



Condition

The motorcycle is stationary.

- Press both buttons for 3–5 seconds.
 - ✓ The Setup menu is displayed. The **UNIT** display flashes.
- Wait for the menu of the service display 🛠 to flash.
- Set the service.

Guideline

One-time service after	1 h
Service every	15 h

Shortening the service interval

- Press the left button.
 - ✓ The value decreases.

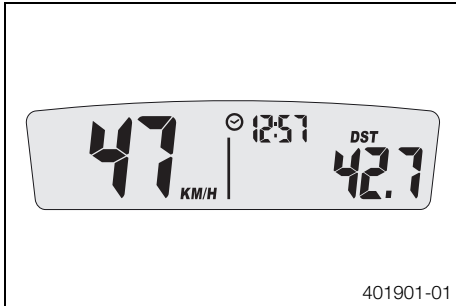
Extending the service interval

- Press the right button.
 - ✓ The value increases.

Switching off the service interval display

- Press and hold the left button.
 - ✓ **off** appears on the display.

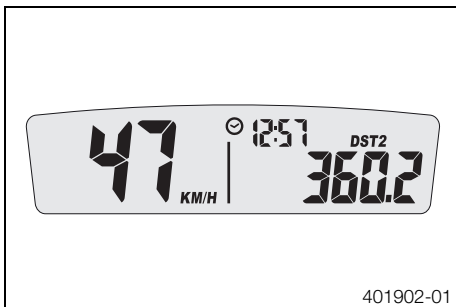
7.8 Speed, time, and DST distance 1



- Press one of the buttons until **DST** appears on the speedometer.
- KM/H** or **M/H** shows the speed.
 ☉ shows the time.
DST shows the distance since the last reset, such as between two refueling stops.

<p>i Info If the value of 39999.9 is exceeded, DST is automatically reset to 0.0.</p>	
Press the left button briefly.	Next display mode
Press the left button for 3 – 5 seconds.	DST can be preset to a value between 0.0 and 39999.9 by pressing the buttons.
Press the right button briefly.	Next display mode
Press the right button for 3 – 5 seconds.	DST is reset to 0.0.

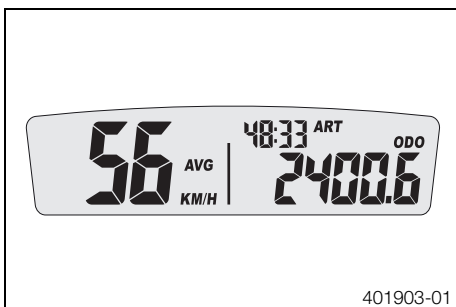
7.9 Speed, time, and DST2 distance 2



- Press one of the buttons until **DST2** appears on the speedometer.
- KM/H** or **M/H** shows the speed.
 ☉ shows the time.
DST2 shows the distance 2 since the last reset, such as between two refueling stops.

<p>i Info If the value of 39999.9 is exceeded, DST2 is automatically reset to 0.0.</p>	
Press the left button briefly.	Next display mode
Press the left button for 3 – 5 seconds.	DST2 can be preset to a value between 0.0 and 39999.9 by pressing the buttons.
Press the right button briefly.	Next display mode
Press the right button for 3 – 5 seconds.	DST2 is reset to 0.0.

7.10 AVG average speed, ART operating hours, and ODO total distance covered



- Press one of the buttons until **AVG**, **ART** and **ODO** appear in the speedometer.
- AVG** shows the average speed since the last reset.
ART shows the operating hours.
ODO shows the total distance covered.

Press the left button briefly.	Next display mode
Press the left button for 3 – 5 seconds.	The OPEN END WRENCH SYMBOL shows the remaining operating hours until the next service is due.
Press the right button briefly.	Next display mode
Press the right button for 3 – 5 seconds.	AVG is reset to 0.0.

8.1 Advice on first use



Danger

Danger of accidents Danger arising from the rider's judgement being impaired.

- Do not operate the vehicle while under the influence of alcohol, drugs and certain medications or physically or mentally impaired.



Warning

Risk of injury Missing or poor protective clothing presents an increased safety risk.

- Wear protective clothing (helmet, boots, gloves, pants and jacket with protectors) every time you ride the vehicle. Always wear protective clothing that is in good condition and meets the legal requirements.



Warning

Danger of crashing Poor vehicle handling due to different tire tread patterns on front and rear wheels.

- The front and rear wheels must be fitted with tires with similar tread patterns to prevent loss of control over the vehicle.



Warning

Danger of accidents Critical riding behavior due to inappropriate riding.

- Adapt your riding speed to the road conditions and your riding ability.



Warning

Danger of accidents Accident risk caused by presence of a passenger.

- Your vehicle is not designed to carry passengers. Do not ride with a passenger.



Warning

Danger of accidents Failure of brake system.

- If the foot brake lever is not released, the brake linings drag continuously. The rear brake may fail due to overheating. Take your foot off the foot brake lever when you are not braking.



Warning

Danger of accidents Unstable riding behavior.

- Do not exceed the maximum permissible weight and axle loads.



Warning

Risk of misappropriation Usage by unauthorized persons.

- Never leave the vehicle while the engine is running. Secure the vehicle against use by unauthorized persons.



Info

When using your motorcycle, remember that others may feel disturbed by excessive noise.

- Make sure that the pre-delivery inspection work has been carried out by an authorized Husqvarna workshop.
 - ✓ You receive a delivery certificate and the service record at vehicle handover.
- Before your first trip, read the entire operating instructions carefully.
- Get to know the controls.
- Adjust the basic position of the clutch lever. (☞ p. 64)

(FE EU/AU)

- Adjust the free travel of the hand brake lever. (☞ p. 66)

(FE US)

- Adjust the basic position of the hand brake lever. (☞ p. 66)
- Adjust the basic position of the foot brake lever. ☞ (☞ p. 71)
- Adjust the basic position of the shift lever. ☞ (☞ p. 91)
- Get used to handling the motorcycle on a suitable piece of land before making a longer trip.



Info

Offroad, you should be accompanied by another person on another machine so that you can help each other.

- Try also to ride as slowly as possible and in a standing position to get a better feeling for the vehicle.
- Do not make any offroad trips that exceed your ability and experience.

- Hold the handlebar firmly with both hands and keep your feet on the footrests when riding.
- If you carry any baggage, make sure it is fixed firmly as close as possible to the center of the vehicle and ensure even weight distribution between the front and rear wheels.

i Info
Motorcycles react sensitively to any changes in weight distribution.

- Do not exceed the overall maximum permitted weight and the axle loads.

Guideline

Maximum permissible overall weight	335 kg (739 lb.)
Maximum permissible front axle load	145 kg (320 lb.)
Maximum permissible rear axle load	190 kg (419 lb.)

- Run in the engine. (☛ p. 25)

8.2 Running-in the engine

- During the running-in phase, do not exceed the specified engine speed and engine performance.

Guideline

Maximum engine speed	
During the first operating hour	7,000 rpm
Maximum engine performance	
During the first 3 operating hours	≤ 75 %

- Avoid fully opening the throttle!

8.3 Preparing the vehicle for difficult riding conditions

i Info
Use of the vehicle under difficult conditions, such as on sand or on wet and muddy surfaces, can lead to considerably more rapid wear of components such as the drive train, brake system, or suspension components. For this reason, it may be necessary to inspect or replace parts before the next scheduled service.

- Clean the air filter and air filter box. ☛ (☛ p. 51)

i Info
Check the air filter approx. every 30 minutes.

- Seal the air filter box. ☛ (☛ p. 51)
- Additionally secure the rubber grip. (☛ p. 64)
- Check the electrical connector for humidity and corrosion and to ensure it is firmly seated.
 - » If humidity, corrosion or damage is found:
 - Clean and dry the connector, or change it if necessary.

Difficult riding conditions are:

- Rides on dry sand. (☛ p. 25)
- Rides on wet sand. (☛ p. 26)
- Rides on wet and muddy surfaces. (☛ p. 26)
- Rides at high temperature and slow speed. (☛ p. 27)
- Rides at low temperature or in snow. (☛ p. 27)

8.4 Preparing for rides on dry sand



- Fit a dust cover on the air filter.

Dust protection device for air filter (77206920100)

i Info
Observe the **Husky Power** fitting instructions.



B00436-01

- Fit a sand cover on the air filter.

Sand protection device for air filter (59006922000)



Info

Observe the **Husky Power** fitting instructions.



600868-01

- Clean the chain.
- Fit the steel sprocket.



Tip

Do not grease the chain.

- Clean the radiator fins.
- Straighten bent radiator fins carefully.

8.5 Preparing for rides on wet sand



B00437-01

- Fit a rain cover on the air filter.

Waterproofing device for air filter (77206921100)



Info

Observe the **Husky Power** fitting instructions.



600868-01

- Clean the chain.
- Fit the steel sprocket.

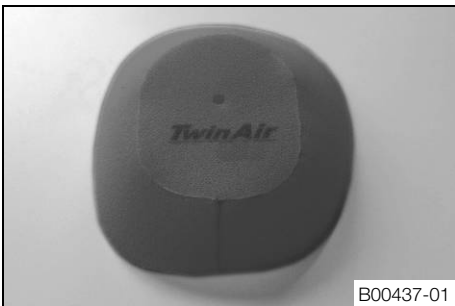


Tip

Do not grease the chain.

- Clean the radiator fins.
- Straighten bent radiator fins carefully.

8.6 Preparing for rides on wet and muddy surfaces



B00437-01

- Fit a rain cover on the air filter.

Waterproofing device for air filter (77206921100)



Info

Observe the **Husky Power** fitting instructions.



- Fit the steel sprocket.
- Clean the motorcycle. (☛ p. 96)
- Straighten bent radiator fins carefully.

8.7 Preparing for rides at high temperature and slow speed



- Adjust the secondary drive to the road conditions.

i **Info**

The engine oil heats up quickly when the clutch is operated frequently due to an excessively high secondary drive.

- Clean the chain.
- Clean the radiator fins.
- Straighten bent radiator fins carefully.
- Check the coolant level. (☛ p. 88)

8.8 Preparing for rides at low temperature or in snow



- Fit a rain cover on the air filter.

Waterproofing device for air filter (77206921100)

i **Info**

Observe the **Husky Power** fitting instructions.

9.1 Checks and maintenance work when preparing for use

i Info

Before riding the vehicle, always check its condition and operating safety. The vehicle must be in perfect technical condition when used.

- Check the engine oil level. (☛ p. 92)
- Check the electrical system.
- Check the front brake fluid level. (☛ p. 67)
- Check the rear brake fluid level. (☛ p. 71)
- Check the front brake linings. (☛ p. 68)
- Check the rear brake linings. (☛ p. 73)
- Check that the brake system is functioning properly.
- Check the coolant level. (☛ p. 88)
- Check for chain dirt accumulation. (☛ p. 59)
- Check the chain, rear sprocket, engine sprocket and chain guide. (☛ p. 61)
- Check the chain tension. (☛ p. 59)
- Check the tire condition. (☛ p. 77)
- Check the tire air pressure. (☛ p. 78)
- Check the spoke tension. (☛ p. 78)
- Clean the dust boots of the fork legs. (☛ p. 41)
- Bleed fork legs. (☛ p. 41)
- Check the air filter.
- Check the settings of all controls and ensure that they can be operated smoothly.
- Check all screws, nuts, and hose clamps regularly for tightness.
- Check the fuel supply.

9.2 Starting

! Danger

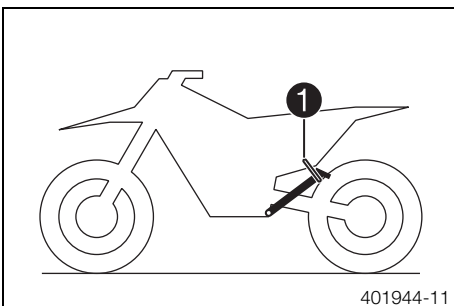
Danger of poisoning Exhaust gases are toxic and inhaling them may result in unconsciousness and/or death.

- When running the engine, always make sure there is sufficient ventilation, and do not start or run the engine in an enclosed space without an effective exhaust extraction system.

Note

Engine failure High engine speeds in cold engines have a negative effect on the service life of the engine.

- Always warm up the engine at low engine speeds.



- Raise the motorcycle off of the stand and secure the stand with the rubber band **1**.
- Shift transmission to neutral.

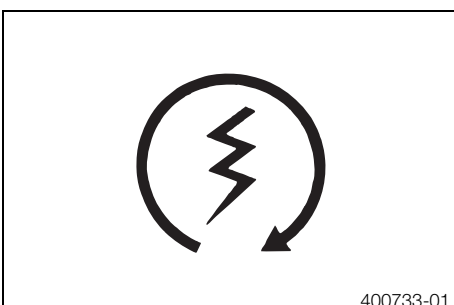
(FE AU)

- Turn the emergency OFF switch to the position \odot .

Condition

Ambient temperature: < 20 °C (< 68 °F)

- Pull the idle speed adjusting screw all the way out.



- Press the electric starter button.

i Info

Press the electric starter button for at most 5 seconds. Wait for a least 5 seconds before trying again.

Warning lamp **FI** lights up briefly as a functional control when starting.

9.3 Starting off



Info

If your bike has lights, switch them on before riding. You will then be seen earlier by other motorists. When you are riding, the side stand must be folded up and secured with the rubber band.

- Pull the clutch lever, engage 1st gear, release the clutch lever slowly and simultaneously open the throttle carefully.

9.4 Shifting, riding



Warning

Danger of accidents If you change down at high engine speed, the rear wheel can lock up.

- Do not change into a low gear at high engine speed. The engine races and the rear wheel can lock up.



Info

If you hear unusual noises while riding, stop immediately, switch off the engine and contact an authorized Husqvarna workshop. First gear is used for starting off or for steep inclines.

- When conditions allow (incline, road situation, etc.), you can shift into a higher gear. To do so, release the throttle while simultaneously pulling the clutch lever, shift into the next gear, release the clutch, and open the throttle.
- After reaching maximum speed by fully opening the throttle grip, turn the throttle back so it is $\frac{3}{4}$ open. This will barely reduce the speed but fuel consumption will be considerably lower.
- Always open the throttle only as much as the engine can handle – abrupt throttle opening increases fuel consumption.
- To shift down, brake and close the throttle at the same time.
- Pull the clutch lever and shift into a lower gear, release the clutch lever slowly, and open the throttle or shift again.
- Switch off the engine if you expect to be standing for a long time.

Guideline

≥ 2 min

- Avoid frequent and longer slipping of the clutch. This heats the engine oil, the engine, and the cooling system.
- Ride with a lower engine speed instead of with a high engine speed and a slipping clutch.

9.5 Braking



Warning

Danger of accidents If you brake too hard, the wheels can lock.

- Adapt your braking to the traffic situation and the road conditions.



Warning

Danger of accidents Reduced braking efficiency caused by spongy pressure point of front or rear brake.

- Check the brake system and do not continue riding. (Your authorized Husqvarna workshop will be glad to help.)



Warning

Danger of accidents Reduced braking efficiency due to a wet or dirty brake system.

- Clean or dry a dirty or wet brake system by riding and braking gently.

- On sandy, wet or slippery surfaces, use the rear brake.
- Braking should always be completed before you go into a bend. Change down to a lower gear appropriate to your road speed.
- Make use of the braking effect of the engine when driving down long downhill stretches. To do so, shift back one or two gears, but do not overrev the engine. You will need to apply the brakes far less often and the brake system will not overheat.

9.6 Stopping, parking



Warning

Risk of misappropriation Usage by unauthorized persons.

- Never leave the vehicle while the engine is running. Secure the vehicle against use by unauthorized persons.



Warning

Danger of burns Some vehicle components become very hot when the vehicle is operated.

- Do not touch hot components such as exhaust system, radiator, engine, shock absorber, and the brake system. Allow these components to cool down before starting work on them.

Note

Danger of damage The parked vehicle may roll away or fall over.

- Always place the vehicle on a firm and even surface.

Note

Fire hazard Some vehicle components become very hot when the vehicle is operated.

- Do not park the vehicle near flammable or explosive substances. Do not place objects on the vehicle while it is still warm from being run. Always let the vehicle cool first.


Note

Material damage Damage to or destruction of components due to excessive load.


- The side stand is only designed for the weight of the motorcycle. Do not sit on the motorcycle when it is resting on the side stand. The side stand or the frame may become damaged and the motorcycle may fall over.

- Brake the motorcycle.
- Shift transmission to neutral.

(FE EU/AU)

- Press and hold the kill switch  while the engine is idling until the engine stops.

(FE US)

- Press and hold the kill switch  while the engine is idling until the engine stops.
- Park the motorcycle on firm ground.

9.7 Transport

Note

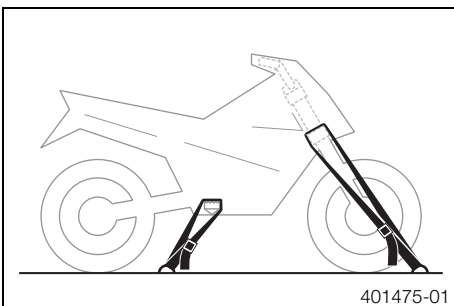
Danger of damage The parked vehicle may roll away or fall over.

- Always place the vehicle on a firm and even surface.

Note

Fire hazard Some vehicle components become very hot when the vehicle is operated.

- Do not park the vehicle near flammable or explosive substances. Do not place objects on the vehicle while it is still warm from being run. Always let the vehicle cool first.



- Switch off the engine.
- Use tension belts or other suitable devices to secure the motorcycle against accidents or falling over.

9.8 Refueling



Danger

Fire hazard Fuel is highly flammable.

- Never refuel the vehicle near open flames or burning cigarettes, and always switch off the engine first. Be careful that no fuel is spilt, especially on hot vehicle components. Clean up spilt fuel immediately.
- The fuel in the fuel tank expands when warm and may emerge if overfilled. Follow the instructions on refueling.



Warning

Danger of poisoning Fuel is poisonous and a health hazard.

- Fuel must not come into contact with the skin, eyes, or clothing. Do not breathe in the fuel vapors. If contact occurs with the eyes, rinse with water immediately and contact a physician. Immediately clean contaminated areas on the skin with soap and water. If fuel is swallowed, contact a physician immediately. Change clothing that is contaminated with fuel.

Note

Material damage Premature clogging of the fuel filter.

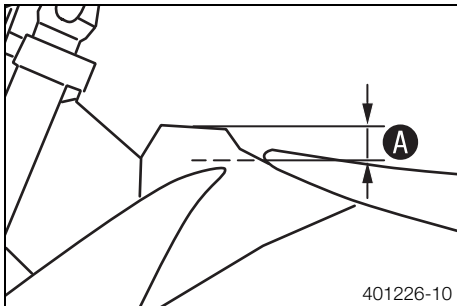
- In some countries and regions, the available fuel quality and cleanliness may not be sufficient. This will result in problems with the fuel system. (Your authorized Husqvarna workshop will be glad to help.)
- Only refuel with clean fuel that meets the specified standards.



Warning

Environmental hazard Improper handling of fuel is a danger to the environment.

- Do not allow fuel to get into the ground water, the ground, or the sewage system.



- Switch off engine.
- Open the filler cap. (☛ p. 16)
- Fill the fuel tank with fuel up to measurement **A**.

Guideline

Measurement of A	35 mm (1.38 in)	
Total fuel tank capacity, approx.	9.5 l (2.51 US gal)	Super unleaded (ROZ 95/RON 95/PON 91) (☛ p. 110)

- Close the filler cap. (☛ p. 17)

10.1 Service schedule			
	Every 30 operating hours/after every race	Every 15 operating hours	Once after 1 operating hour
Read out the fault memory using the Husqvarna diagnostics tool. 🛠️	○	●	●
Check that the electrical equipment is functioning properly.	○	●	●
Check and charge the battery. 🛠️		●	●
Check the front brake linings. (🛠️ p. 68)		●	●
Check the rear brake linings. (🛠️ p. 73)		●	●
Check the brake discs. (🛠️ p. 67)		●	●
Check the brake lines for damage and leakage.		●	●
Check the rear brake fluid level. (🛠️ p. 71)		●	●
Check the free travel of the foot brake lever. (🛠️ p. 70)		●	●
Check the frame and swingarm. 🛠️		●	●
Check the swingarm bearing. 🛠️			●
Check the heim joints at the top of the shock absorber. 🛠️		●	●
Check the shock absorber linkage. 🛠️		●	●
Check the tire condition. (🛠️ p. 77)	○	●	●
Check the tire air pressure. (🛠️ p. 78)	○	●	●
Check the wheel bearing for play. 🛠️		●	●
Check the wheel hubs. 🛠️		●	●
Check the rim run-out. 🛠️	○	●	●
Check the spoke tension. (🛠️ p. 78)	○	●	●
Check the chain, rear sprocket, engine sprocket and chain guide. (🛠️ p. 61)		●	●
Check the chain tension. (🛠️ p. 59)	○	●	●
Grease all moving parts (e.g., side stand, hand lever, chain, ...) and check for smooth operation. 🛠️		●	●
Check/rectify the fluid level of the hydraulic clutch. (🛠️ p. 64)		●	●
Check the front brake fluid level. (🛠️ p. 67)		●	●
Check the free travel of the hand brake lever. (🛠️ p. 66)		●	●
Check the steering head bearing play. (🛠️ p. 46)	○	●	●
Check the valve clearance. 🛠️	○		●
Check the clutch. 🛠️			●
Change the shaft seal rings of the water pump. 🛠️			●
Change the engine oil and oil filter, clean the oil screen. 🛠️ (🛠️ p. 93)	○	●	●
Check all hoses (e. g., fuel, cooling, bleeding, drainage) and sleeves for cracking, leaks, and incorrect routing. 🛠️	○	●	●
Check the antifreeze and coolant level. (🛠️ p. 87)	○	●	●
Check the cables for damage and routing without sharp bends. 🛠️		●	●
Check that the cables are undamaged, routed without sharp bends and set correctly.	○	●	●
Clean the air filter and air filter box. 🛠️		●	●
Change the glass fiber yarn filling of the main silencer. 🛠️ (🛠️ p. 55)			●
Check the screws and nuts for tightness. 🛠️	○	●	●
Check the headlight setting. (🛠️ p. 85)	○	●	●
Change the fuel screen. 🛠️ (🛠️ p. 92)	○	●	●
Check the fuel pressure. 🛠️		●	●
Adjust the idle speed. 🛠️ (🛠️ p. 91)	○	●	●
Check that the radiator fan is functioning properly. 🛠️	○	●	●
Final check: Check the vehicle for roadworthiness and take a test ride.	○	●	●
Read out the fault memory using the Husqvarna diagnostics tool after a test ride. 🛠️	○	●	●
Make the service entry in Husqvarna Dealer.net and in the service booklet. 🛠️	○	●	●

- One-time interval
- Periodic interval

10.2 Service work (as additional order)

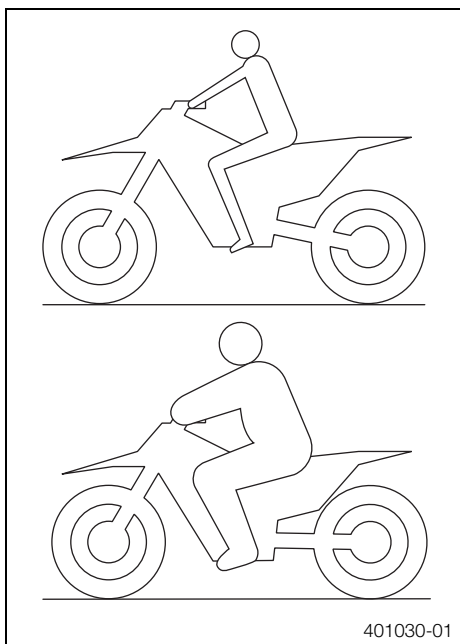
	Annually		
Every 135 operating hours/every 70 operating hours when used for motorsports			
Every 45 operating hours			
Once after 15 operating hours			
Change the front brake fluid. 🛠️			●
Change the rear brake fluid. 🛠️			●
Change the hydraulic clutch fluid. 🛠️ (📖 p. 64)			●
Lubricate the steering head bearing. 🛠️ (📖 p. 47)			●
Clean the spark arrestor. 🛠️ (FE US)			●
Perform a fork service. 🛠️	○	●	●
Service the shock absorber. 🛠️		●	●
Change the spark plug and spark plug connector. 🛠️			●
Change the piston. 🛠️			●
Check/measure the cylinder. 🛠️			●
Check the cylinder head. 🛠️			●
Change the valves, valve springs and valve spring seats. 🛠️			●
Check the camshaft and cam lever. 🛠️			●
Change the connecting rod, conrod bearing and crank pin. 🛠️			●
Check the transmission and shift mechanism. 🛠️			●
Check the oil pressure regulator valve. 🛠️			●
Change the suction pump. 🛠️			●
Check the pressure pump and lubrication system. 🛠️			●
Replace the timing chain. 🛠️			●
Check the timing assembly. 🛠️			●
Change all engine bearings. 🛠️			●

- One-time interval
- Periodic interval

11.1 Checking the basic chassis setting with the rider's weight

i Info

When adjusting the basic chassis setting, first adjust the shock absorber and then the fork.



401030-01

- For optimal motorcycle riding characteristics and to avoid damage to forks, shock absorbers, swingarm, and frame, the basic settings of the suspension components must match the rider's weight.
- As delivered, Husqvarna offroad motorcycles are adjusted for an average rider's weight (with full protective clothing).

Guideline

Standard rider weight	75... 85 kg (165... 187 lb.)
-----------------------	------------------------------

- If the rider's weight is above or below this range, the basic setting of the suspension components must be adjusted accordingly.
- Small weight differences can be compensated by adjusting the spring preload, but in the case of large weight differences, the springs must be replaced.

11.2 Compression damping of shock absorber

The compression damping of the shock absorber is divided into two ranges: high-speed and low-speed.

High-speed and low-speed refer to the compression speed of the rear wheel suspension and not to the vehicle speed.

The high-speed setting, for example, has an effect on the landing after a jump: the rear wheel suspension compresses more quickly.

The low-speed setting, for example, has an effect when riding over long ground swells: the rear wheel suspension compresses more slowly.

These two ranges can be adjusted separately, although the transition between high-speed and low-speed is gradual. Thus, changes in the high-speed range affect the compression damping in the low-speed range and vice versa.

11.3 Adjusting the low-speed compression damping of the shock absorber

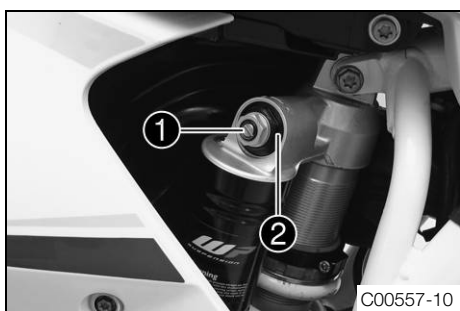
! Caution

Danger of accidents Disassembly of pressurized parts can lead to injury.

- The shock absorber is filled with high density nitrogen. Adhere to the description provided. (Your authorized Husqvarna workshop will be glad to help.)

i Info

The low-speed setting can be seen during the slow to normal compression of the shock absorber.



C00557-10

- Turn adjusting screw **1** clockwise with a screwdriver up to the last perceptible click.

i Info

Do not loosen nut **2**!

- Turn counterclockwise by the number of clicks corresponding to the shock absorber type.

Guideline

Compression damping, low-speed	
Comfort	20 clicks
Standard	18 clicks
Sport	16 clicks

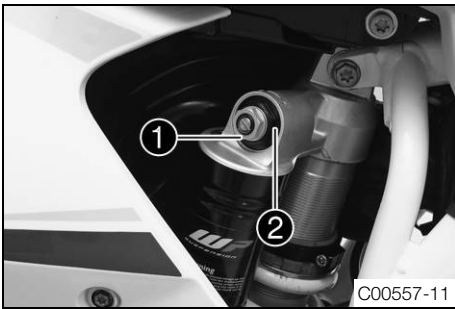
i Info
Turn clockwise to increase damping; turn counterclockwise to reduce damping.

11.4 Adjusting the high-speed compression damping of the shock absorber

! Caution
Danger of accidents Disassembly of pressurized parts can lead to injury.

- The shock absorber is filled with high density nitrogen. Adhere to the description provided. (Your authorized Husqvarna workshop will be glad to help.)

i Info
The high-speed setting can be seen during the fast compression of the shock absorber.



- Turn adjusting screw **1** all the way clockwise with a socket wrench.

i Info
Do not loosen nut **2**!

- Turn counterclockwise by the number of turns corresponding to the shock absorber type.

Guideline

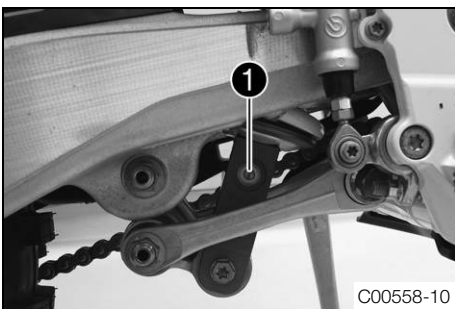
Compression damping, high-speed	
Comfort	2.5 turns
Standard	2 turns
Sport	1.5 turns

i Info
Turn clockwise to increase damping; turn counterclockwise to reduce damping.

11.5 Adjusting the rebound damping of the shock absorber

! Caution
Danger of accidents Disassembly of pressurized parts can lead to injury.

- The shock absorber is filled with high density nitrogen. Adhere to the description provided. (Your authorized Husqvarna workshop will be glad to help.)



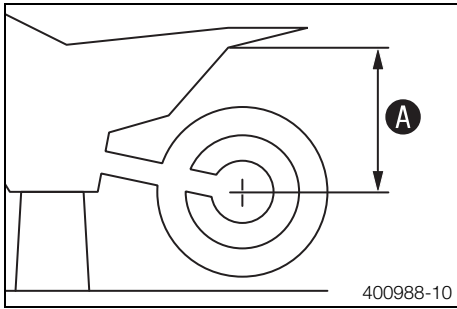
- Turn adjusting screw **1** clockwise up to the last perceptible click.
- Turn counterclockwise by the number of clicks corresponding to the shock absorber type.

Guideline

Rebound damping	
Comfort	20 clicks
Standard	18 clicks
Sport	16 clicks

i Info
Turn clockwise to increase damping; turn counterclockwise to reduce damping.

11.6 Measuring rear wheel sag unloaded



Preparatory work

- Raise the motorcycle with a lift stand. (☞ p. 41)

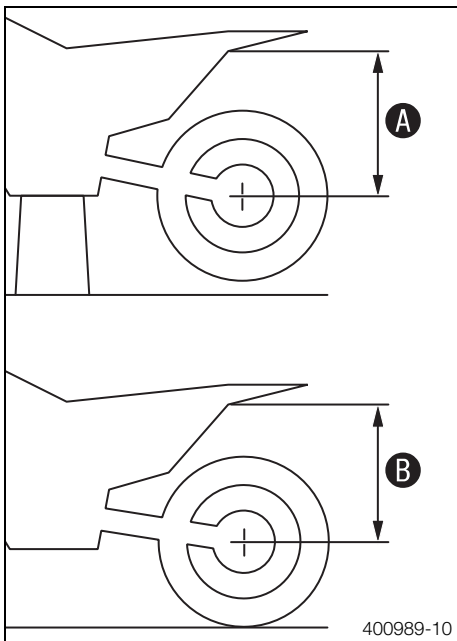
Main work

- Measure the distance – as vertically as possible – between the rear axle and a fixed point such as a mark on the side cover.
- Make note of the value as measurement **A**.

Finishing work

- Remove the motorcycle from the lift stand. (☞ p. 41)

11.7 Checking the static sag of the shock absorber



- Measure distance **A** of rear wheel unloaded. (☞ p. 36)
- Hold the motorcycle upright with the aid of an assistant.
- Measure the distance between the rear axle and the fixed point again.
- Note down the value as dimension **B**.



Info

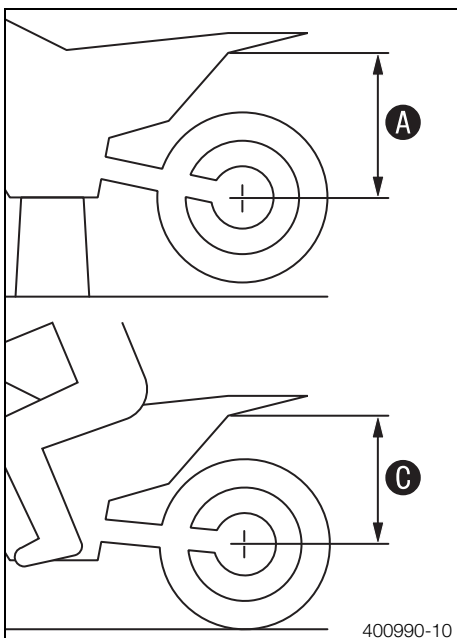
The static sag is the difference between measurements **A** and **B**.

- Check the static sag.

Static sag	30 mm (1.18 in)
------------	-----------------

- » If the static sag is less or more than the specified value:
 - Adjust the spring preload of the shock absorber. ☞ (☞ p. 37)

11.8 Checking the riding sag of the shock absorber



- Measure distance **A** of rear wheel unloaded. (☞ p. 36)
- With another person holding the motorcycle, the rider, wearing full protective clothing, sits on the seat in a normal sitting position (feet on footrests) and bounces up and down a few times.
 - ✓ The rear wheel suspension levels out.
- Another person now measures the distance between the rear axle and a fixed point.
- Note down the value as dimension **C**.



Info

The riding sag is the difference between measurements **A** and **C**.

- Check the riding sag.

Riding sag	100 mm (3.94 in)
------------	------------------

- » If the riding sag differs from the specified measurement:
 - Adjust the riding sag. ☞ (☞ p. 37)

11.9 Adjusting the spring preload of the shock absorber ↘

⚠ Caution

Danger of accidents Disassembly of pressurized parts can lead to injury.

- The shock absorber is filled with high density nitrogen. Adhere to the description provided. (Your authorized Husqvarna workshop will be glad to help.)

i Info

Before changing the spring preload, make a note of the present setting, e.g., by measuring the length of the spring.

Preparatory work

- Raise the motorcycle with a lift stand. (☞ p. 41)
- Remove the right side cover. (☞ p. 56)
- Remove the main silencer. (☞ p. 54)
- Remove the seat. (☞ p. 49)
- Remove the manifold. ↘ (☞ p. 52)
- Remove shock absorber. ↘ (☞ p. 49)
- After removing the shock absorber, clean it thoroughly.

Main work

- Loosen screw ①.
- Turn adjusting ring ② until the spring is no longer under tension.

Hook wrench (T106S)

- Measure the overall spring length while the spring is not under tension.
- Tighten the spring by turning adjusting ring ② to measurement A.

Guideline

Spring preload	13 mm (0.51 in)
----------------	-----------------

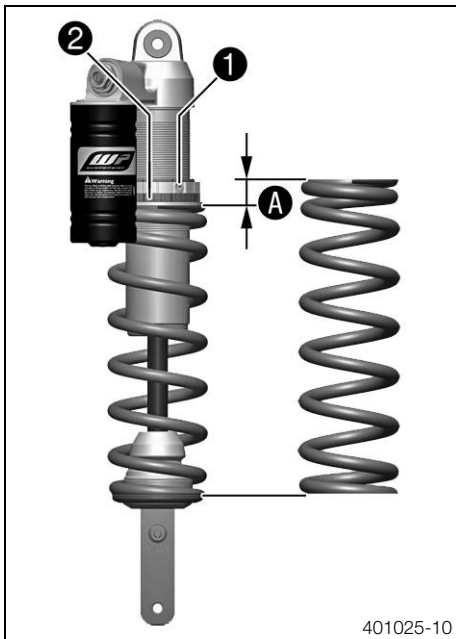
i Info

Depending on the static sag and/or the riding sag, it may be necessary to increase or decrease the spring preload.

- Tighten screw ①.

Guideline

Screw, shock absorber adjusting ring	M5	5 Nm (3.7 lbf ft)
--------------------------------------	----	-------------------



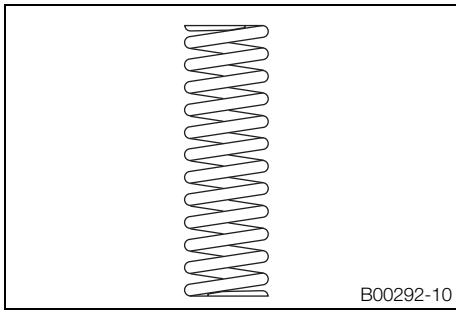
Finishing work

- Install the shock absorber. ↘ (☞ p. 49)
- Install the manifold. ↘ (☞ p. 53)
- Mount the seat. (☞ p. 49)
- Install the main silencer. (☞ p. 55)
- Install the right side cover. (☞ p. 56)
- Remove the motorcycle from the lift stand. (☞ p. 41)

11.10 Adjusting the riding sag ↘

Preparatory work

- Raise the motorcycle with a lift stand. (☞ p. 41)
- Remove the right side cover. (☞ p. 56)
- Remove the main silencer. (☞ p. 54)
- Remove the seat. (☞ p. 49)
- Remove the manifold. ↘ (☞ p. 52)
- Remove shock absorber. ↘ (☞ p. 49)
- After removing the shock absorber, clean it thoroughly.



Main work

- Choose and mount a suitable spring.

Guideline

Spring rate	
Weight of rider: 65... 75 kg (143... 165 lb.)	51 N/mm (291 lb/in)
Weight of rider: 75... 85 kg (165... 187 lb.)	54 N/mm (308 lb/in)
Weight of rider: 85... 95 kg (187... 209 lb.)	57 N/mm (325 lb/in)

i Info

The spring rate is shown on the outside of the spring. Smaller weight differences can be compensated by changing the spring preload.

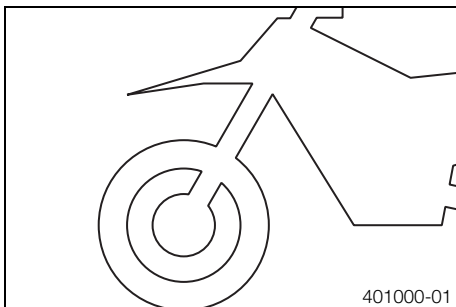
Finishing work

- Install the shock absorber. (☛ p. 49)
- Install the manifold. (☛ p. 53)
- Mount the seat. (☛ p. 49)
- Install the main silencer. (☛ p. 55)
- Install the right side cover. (☛ p. 56)
- Remove the motorcycle from the lift stand. (☛ p. 41)
- Check the static sag of the shock absorber. (☛ p. 36)
- Check the riding sag of the shock absorber. (☛ p. 36)
- Adjust the rebound damping of the shock absorber. (☛ p. 35)

11.11 Checking basic setting of fork

i Info

For various reasons, no exact riding sag can be determined for the forks.



- As with the shock absorber, smaller differences in the rider's weight can be compensated by the spring preload.
- However, if the fork is often overloaded (hard end stop on compression), harder springs must be fit to avoid damage to the fork and frame.

11.12 Adjusting the compression damping of the fork

i Info

The hydraulic compression damping determines the fork suspension behavior.



- Turn the white adjusting screw **1** all the way clockwise.

i Info

Adjusting screw **1** is located at the upper end of the left fork leg. The compression damping is located in the left fork leg **COMP** (white adjusting screw). The rebound damping is located in the right fork leg **REB** (red adjusting screw).

- Turn counterclockwise by the number of clicks corresponding to the fork type.

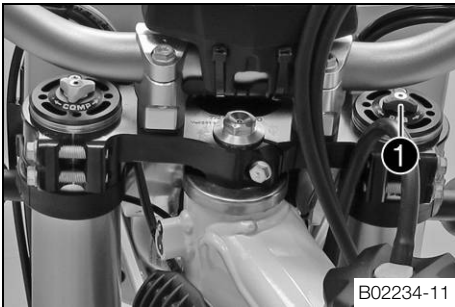
Guideline

Compression damping	
Comfort	15 clicks
Standard	13 clicks
Sport	11 clicks

i Info
Turn clockwise to increase damping; turn counterclockwise to reduce damping.

11.13 Adjusting the rebound damping of the fork

i Info
The hydraulic rebound damping determines the fork suspension behavior.



- Turn the red adjusting screw **1** all the way clockwise.

i Info
Adjusting screw **1** is located at the upper end of the right fork leg. The rebound damping is located in the right fork leg **REB** (red adjusting screw). The compression damping is located in the left fork leg **COMP** (white adjusting screw).

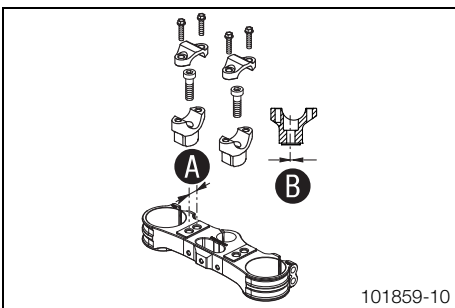
- Turn counterclockwise by the number of clicks corresponding to the fork type.

Guideline

Rebound damping	
Comfort	15 clicks
Standard	13 clicks
Sport	11 clicks

i Info
Turn clockwise to increase damping; turn counterclockwise to reduce damping.

11.14 Handlebar position



On the upper triple clamp, there are two holes at a distance of **A** to each other.

Hole distance A	15 mm (0.59 in)
------------------------	-----------------

The holes on the handlebar supports are placed at a distance of **B** from the center.

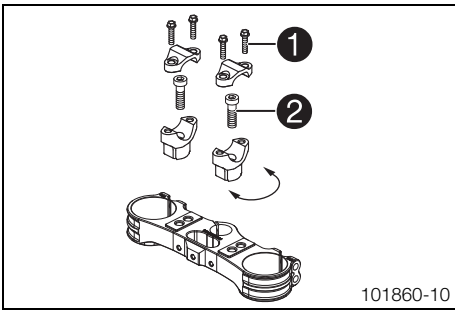
Hole distance B	3.5 mm (0.138 in)
------------------------	-------------------

The handlebar supports can be mounted in four different positions.

11.15 Adjusting the handlebar position

Warning
Danger of accidents Handlebar breakage.

- If the handlebar is bent or straightened it will cause material fatigue, and the handlebar can break. Always replace handlebar.



- Remove screws ❶. Take off the handlebar clamps. Take off the handlebar and lay it to one side.

i Info
Protect the motorcycle and its attachments against damage by covering them.
Do not bend the cables and lines.

- Remove screws ❷. Take off the handlebar supports.
- Place the handlebar supports in the required position. Mount and tighten screws ❷.

Guideline

Screw, handlebar holder	M10	40 Nm (29.5 lbf ft)	Loctite® 243™
-------------------------	-----	------------------------	----------------------

i Info
Position the left and right handlebar holders evenly.

- Position the handlebar.

i Info
Make sure the cables and wiring are positioned correctly.

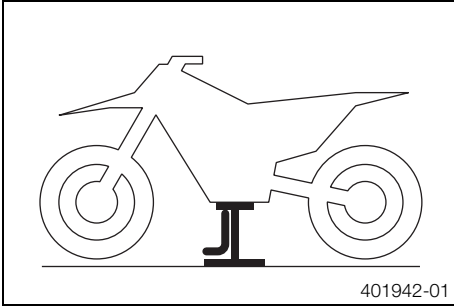
- Position the handlebar clamps. Mount and tighten screws ❶ evenly.

Guideline

Screw, handlebar clamp	M8	20 Nm (14.8 lbf ft)
------------------------	----	---------------------

i Info
Make sure the gap width is even.

12.1 Raising the motorcycle with a lift stand



Note

Danger of damage The parked vehicle may roll away or fall over.

- Always place the vehicle on a firm and even surface.
- Raise the motorcycle at the frame underneath the engine.

Lift stand (81329955000)

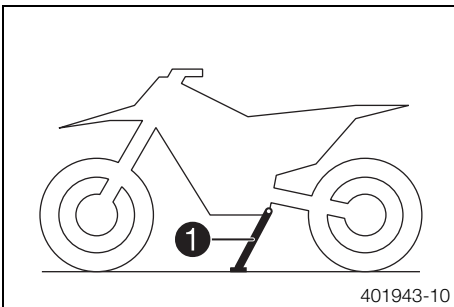
- ✓ Neither wheel is in contact with the ground.
- Secure the motorcycle against falling over.

12.2 Removing the motorcycle from the lift stand

Note

Danger of damage The parked vehicle may roll away or fall over.

- Always place the vehicle on a firm and even surface.



- Remove the motorcycle from the lift stand.
- Remove the lift stand.
- To park the motorcycle, press side stand ❶ to the ground with your foot and lean the motorcycle on it.

i Info

When you are riding, the side stand must be folded up and secured with the rubber band.

12.3 Bleeding fork legs



Preparatory work

- Raise the motorcycle with a lift stand. (☞ p. 41)

Main work

- Release bleeder screws ❶.
- ✓ Any excess pressure escapes from the interior of the fork.
- Tighten the bleeder screws.

Finishing work

- Remove the motorcycle from the lift stand. (☞ p. 41)

12.4 Cleaning the dust boots of the fork legs



Preparatory work

- Raise the motorcycle with a lift stand. (☞ p. 41)
- Loosen the fork protector. (☞ p. 42)

Main work

- Push dust boot ❶ downward of both fork legs.

i Info

The dust boots remove dust and coarse dirt particles from the inside fork tubes. Over time, dirt can penetrate behind the dust boots. If this dirt is not removed, the oil seals behind can start to leak.



Warning

Danger of accidents Reduced braking efficiency due to oil or grease on the brake discs.

- Always keep the brake discs free of oil and grease, and clean them with brake cleaner when necessary.

- Clean and oil the dust boots and inner fork tube of both fork legs.

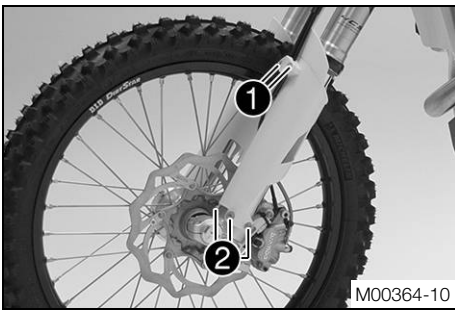
Universal oil spray (☛ p. 111)

- Press the dust boots back into their normal position.
- Remove excess oil.

Finishing work

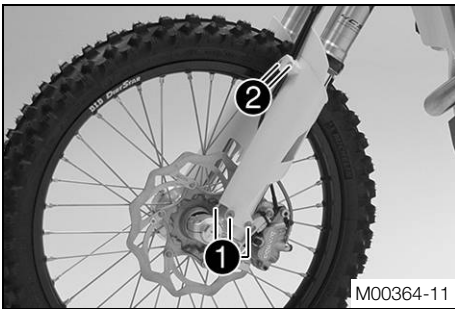
- Position the fork protector. (☛ p. 42)
- Remove the motorcycle from the lift stand. (☛ p. 41)

12.5 Loosening the fork protector



- Remove screws ❶ and remove the clamp.
- Remove screws ❷ on the left fork leg. Push the fork protector downwards.
- Remove the screws on the right fork leg. Push the fork protector downwards.

12.6 Positioning the fork protector



- Position the fork protector on the left fork leg. Mount and tighten screws ❶.

Guideline

Remaining screws, chassis	M6	10 Nm (7.4 lbf ft)
---------------------------	----	--------------------

- Position the brake line, wiring harness, and clamp. Mount and tighten screws ❷.
- Position the fork protector on the right fork leg. Mount and tighten the screws.

Guideline

Remaining screws, chassis	M6	10 Nm (7.4 lbf ft)
---------------------------	----	--------------------

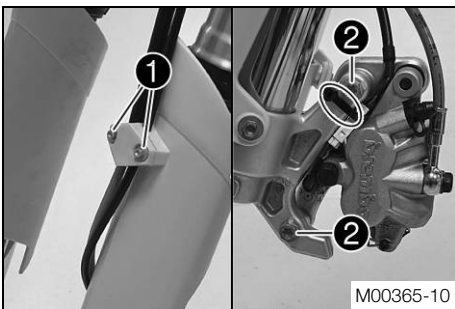
12.7 Removing the fork legs

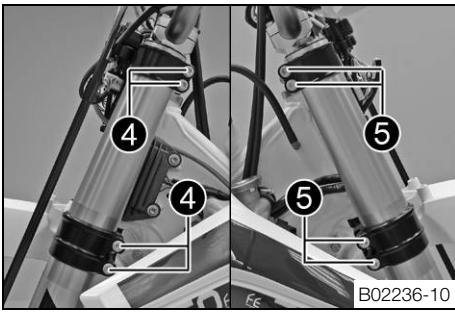
Preparatory work

- Switch off all power consumers and switch off the engine.
- Remove the headlight mask with the headlight. (☛ p. 83)
- Raise the motorcycle with a lift stand. (☛ p. 41)
- Remove the front wheel. ☛ (☛ p. 75)

Main work

- Remove screws ❶ and take off the clamp.
- Remove the cable tie(s).
- Remove screws ❷ and take off the brake caliper.
- Allow the brake caliper and brake line to hang tension-free to the side.





- Loosen screws ③. Take out the left fork leg.
- Loosen screws ④. Take out the right fork leg.

12.8 Installing the fork legs



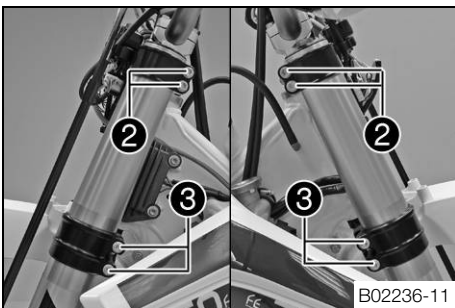
Main work

- Position the fork legs.
- ✓ Bleeder screws ① face forward.

Info

The compression damping is located in the left fork leg **COMP** (white adjusting screw). The rebound damping is located in the right fork leg **REB** (red adjusting screw).

Grooves are milled into the side of the upper end of the fork legs. The second milled groove (from the top) must be flush with the top edge of the upper triple clamp.



- Tighten screws ②.

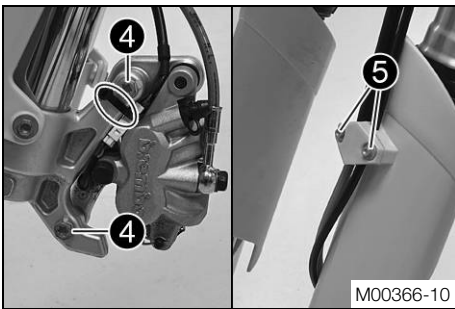
Guideline

Screw, top triple clamp	M8	17 Nm (12.5 lbf ft)
-------------------------	----	---------------------

- Tighten screws ③.

Guideline

Screw, bottom triple clamp	M8	15 Nm (11.1 lbf ft)
----------------------------	----	---------------------



- Position the brake caliper and mount and tighten screws ④.

Guideline

Screw, front brake caliper	M8	25 Nm (18.4 lbf ft)	Loctite® 243™
----------------------------	----	---------------------	----------------------

- Mount the cable tie(s).
- Position the brake line, wiring harness, and clamp. Mount and tighten screws ⑤.

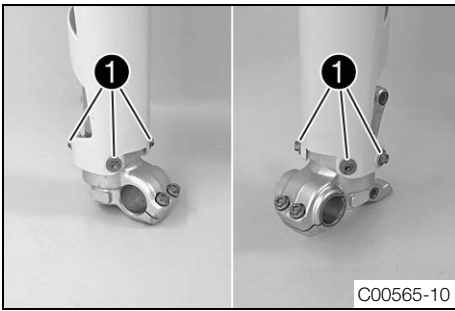
Finishing work

- Install the front wheel. (☞ p. 75)
- Install the headlight mask with the headlight. (☞ p. 84)
- Check the headlight setting. (☞ p. 85)

12.9 Removing the fork protector

Preparatory work

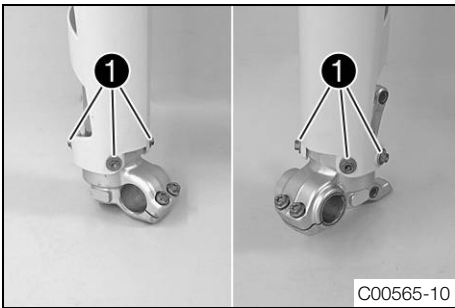
- Switch off all power consumers and switch off the engine.
- Remove the headlight mask with the headlight. (☞ p. 83)
- Raise the motorcycle with a lift stand. (☞ p. 41)
- Remove the front wheel. (☞ p. 75)
- Remove the fork legs. (☞ p. 42)



Main work

- Remove screws **1** on the left fork leg. Remove the fork protector upwards.
- Remove the screws on the right fork leg. Remove the fork protector upwards.

12.10 Installing the fork protector



Main work

- Position the fork protector on the left fork leg. Mount and tighten screws **1**.

Guideline

Remaining screws, chassis	M6	10 Nm (7.4 lbf ft)
---------------------------	----	--------------------

- Position the fork protector on the right fork leg. Mount and tighten the screws.

Guideline

Remaining screws, chassis	M6	10 Nm (7.4 lbf ft)
---------------------------	----	--------------------

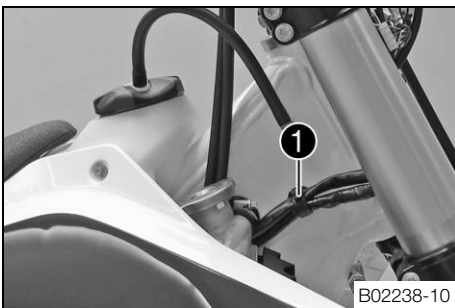
Finishing work

- Install the fork legs. (p. 43)
- Install the front wheel. (p. 75)
- Install the headlight mask with the headlight. (p. 84)
- Check the headlight setting. (p. 85)

12.11 Removing the lower triple clamp

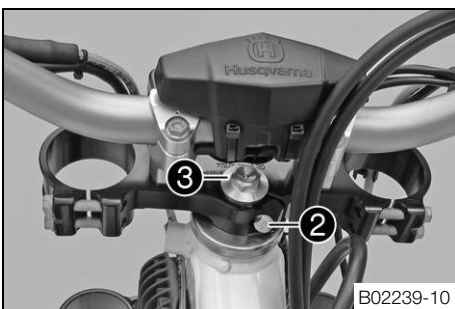
Preparatory work

- Switch off all power consumers and switch off the engine.
- Remove the headlight mask with the headlight. (p. 83)
- Raise the motorcycle with a lift stand. (p. 41)
- Remove the front wheel. (p. 75)
- Remove the fork legs. (p. 42)
- Remove the front fender. (p. 48)



Main work

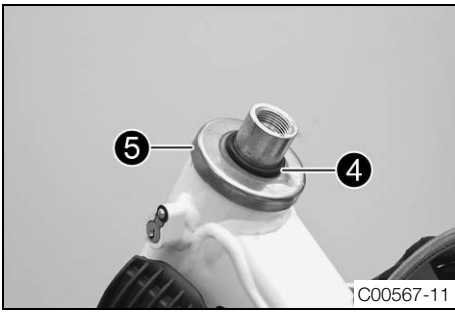
- Open cable holder **1** in front of the right radiator and detach the wiring harness.



- Remove screw **2**. Remove screw **3**, take off the upper triple clamp with the handlebar and set it aside.

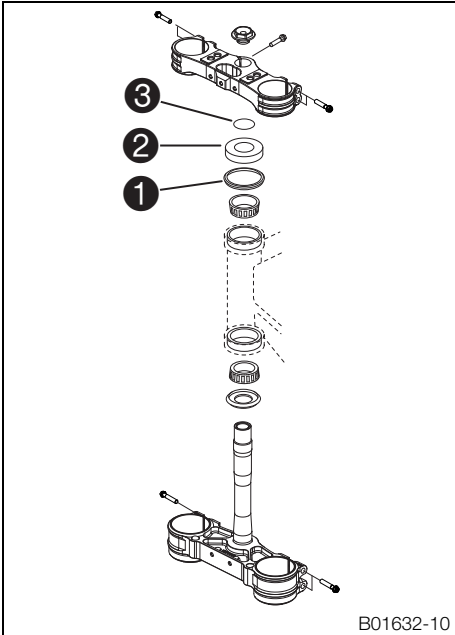
i Info

Cover the components to protect them against damage. Do not bend the cables and lines.



- Remove O-ring ④. Remove protective ring ⑤.
- Take off the lower triple clamp with the steering stem.
- Remove the upper steering head bearing.

12.12 Installing the lower triple clamp

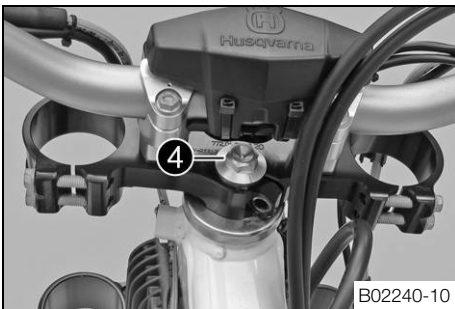


Main work

- Clean the bearing and sealing elements, check for damage, and grease.

High viscosity grease (☛ p. 111)

- Position the lower triple clamp with the steering stem. Mount the upper steering head bearing.
- Check whether the top steering head seal ① is correctly positioned.
- Mount protective ring ② and O-ring ③.



- Position the upper triple clamp with the steering.
- Mount screw ④ but do not tighten yet.
- Position the clutch line next to the voltage regulator.

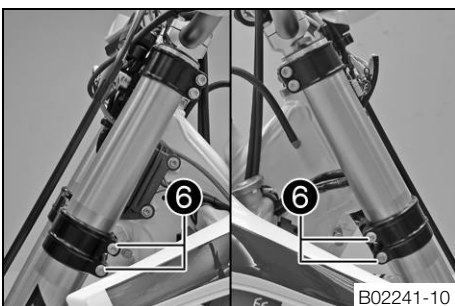


- Position the fork legs.
- ✓ Bleeder screws ⑤ face forward.

i Info

The compression damping is located in the left fork leg **COMP** (white adjusting screw). The rebound damping is located in the right fork leg **REB** (red adjusting screw).

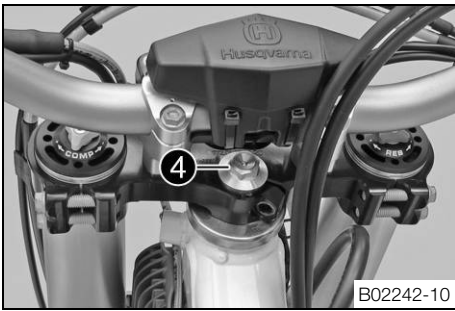
Grooves are milled into the side of the upper end of the fork legs. The second milled groove (from the top) must be flush with the top edge of the upper triple clamp.



- Tighten screws ⑥.

Guideline

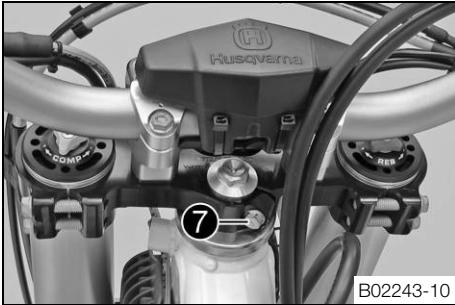
Screw, bottom triple clamp	M8	15 Nm (11.1 lbf ft)
----------------------------	----	---------------------



- Tighten screw 4.

Guideline

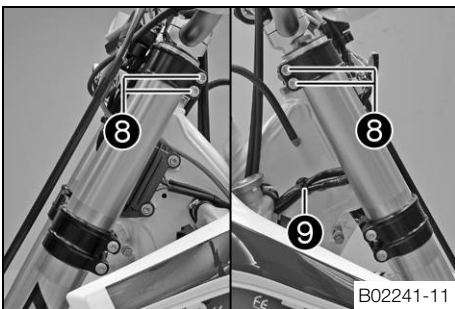
Screw, top steering head	M20x1.5	12 Nm (8.9 lbf ft)
--------------------------	---------	--------------------



- Mount and tighten screw 7.

Guideline

Screw, top steering stem	M8	17 Nm (12.5 lbf ft)	Loctite® 243™
--------------------------	----	---------------------	---------------

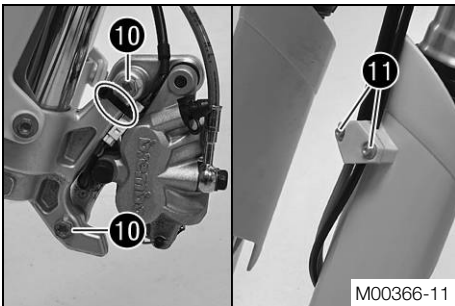


- Tighten screws 8.

Guideline

Screw, top triple clamp	M8	17 Nm (12.5 lbf ft)
-------------------------	----	---------------------

- Secure the wiring harness with cable holder 9.



- Position the brake caliper. Mount and tighten screws 10.

Guideline

Screw, front brake caliper	M8	25 Nm (18.4 lbf ft)	Loctite® 243™
----------------------------	----	---------------------	---------------

- Mount the cable tie(s).
- Position the brake line, wiring harness, and clamp. Mount and tighten screws 11.

Finishing work

- Install the front fender. (☛ p. 48)
- Install the front wheel. ☚☛ p. 75)
- Install the headlight mask with the headlight. (☛ p. 84)
- Check that the wiring harness, throttle cables and brake and clutch lines can move freely and are routed correctly.
- Check the steering head bearing play. (☛ p. 46)
- Remove the motorcycle from the lift stand. (☛ p. 41)
- Check the headlight setting. (☛ p. 85)

12.13 Checking the steering head bearing play



Warning

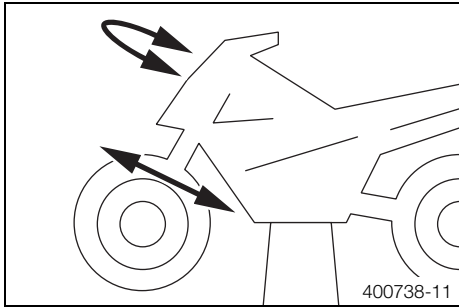
Danger of accidents Unstable vehicle handling from incorrect steering head bearing play.

- Adjust the steering head bearing play without delay. (Your authorized Husqvarna workshop will be glad to help.)



Info

If the bike is ridden with play in the steering head bearing, the bearing and the bearing seats in the frame can become damaged over time.



Preparatory work

- Raise the motorcycle with a lift stand. (☛ p. 41)

Main work

- Move the handlebar to the straight-ahead position. Move the fork legs to and fro in the direction of travel.

No play should be noticeable in the steering head bearing.

- » If there is noticeable play present:
 - Adjust the play of the steering head bearing. ☛ (☛ p. 47)

- Move the handlebar to and fro over the entire steering range.

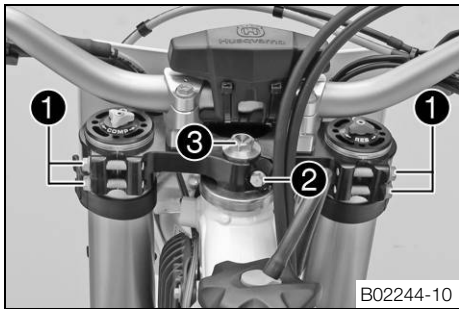
The handlebar must be able to move easily over the entire steering range. No resting locations should be noticeable.

- » If click positions are noticeable:
 - Adjust the play of the steering head bearing. ☛ (☛ p. 47)
 - Check the steering head bearing and replace if required.

Finishing work

- Remove the motorcycle from the lift stand. (☛ p. 41)

12.14 Adjusting the play of the steering head bearing ☛



Preparatory work

- Raise the motorcycle with a lift stand. (☛ p. 41)

Main work

- Loosen screws ①. Remove screw ②.
- Loosen and retighten screw ③.

Guideline

Screw, top steering head	M20x1.5	12 Nm (8.9 lbf ft)
--------------------------	---------	--------------------

- Using a plastic hammer, tap lightly on the upper triple clamp to avoid strains.
- Tighten screws ①.

Guideline

Screw, top triple clamp	M8	17 Nm (12.5 lbf ft)
-------------------------	----	---------------------

- Mount and tighten screw ②.

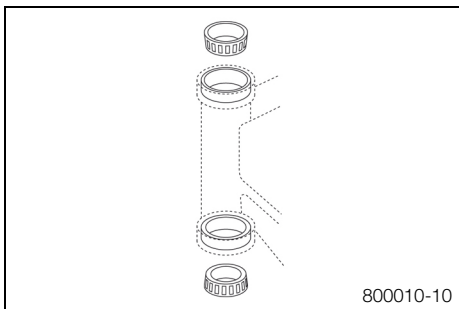
Guideline

Screw, top steering stem	M8	17 Nm (12.5 lbf ft)	Loctite® 243™
--------------------------	----	---------------------	----------------------

Finishing work

- Check the steering head bearing play. (☛ p. 46)
- Remove the motorcycle from the lift stand. (☛ p. 41)

12.15 Lubricating the steering head bearing ☛



- Remove the lower triple clamp. ☛ (☛ p. 44)
- Install the lower triple clamp. ☛ (☛ p. 45)

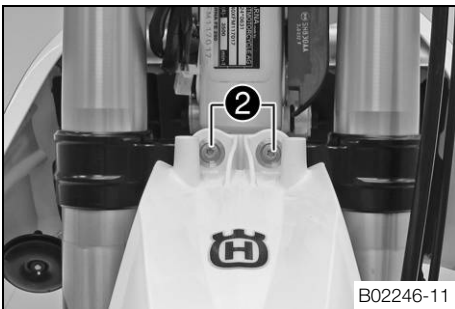
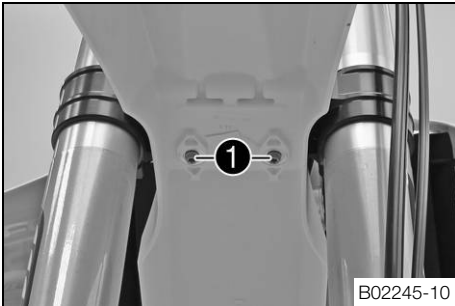
12.16 Removing the front fender

Preparatory work

- Switch off all power consumers and switch off the engine.
- Remove the headlight mask with the headlight. (☛ p. 83)

Main work

- Remove screws ❶.



- Remove screws ❷. Remove the front fender.

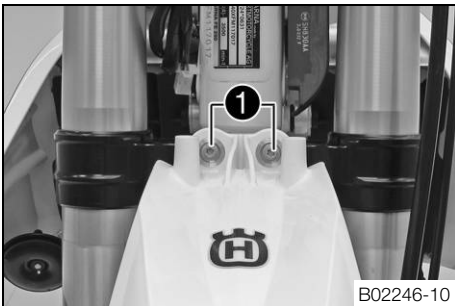
12.17 Installing the front fender

Main work

- Position the front fender. Mount and tighten screws ❶.

Guideline

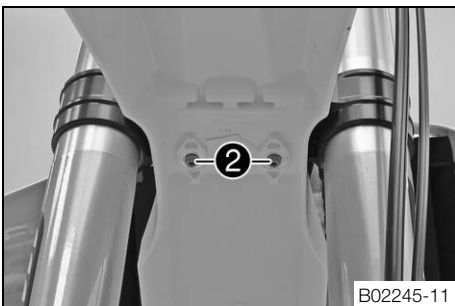
Remaining screws, chassis	M6	10 Nm (7.4 lbf ft)
---------------------------	----	--------------------



- Mount and tighten screws ❷.

Guideline

Remaining screws, chassis	M6	10 Nm (7.4 lbf ft)
---------------------------	----	--------------------



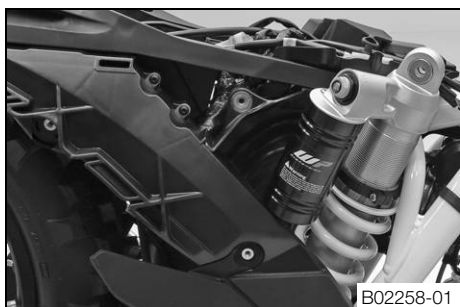
Finishing work

- Install the headlight mask with the headlight. (☛ p. 84)
- Check the headlight setting. (☛ p. 85)

12.18 Removing the shock absorber ↘

Preparatory work

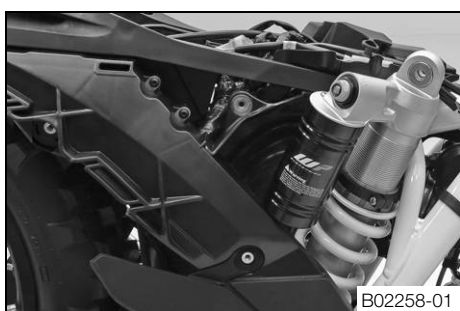
- Raise the motorcycle with a lift stand. (☞ p. 41)
- Remove the right side cover. (☞ p. 56)
- Remove the main silencer. (☞ p. 54)
- Remove the seat. (☞ p. 49)
- Remove the manifold. ↘ (☞ p. 52)



Main work

- Carefully take the shock absorber out of the vehicle toward the top.

12.19 Installing the shock absorber ↘



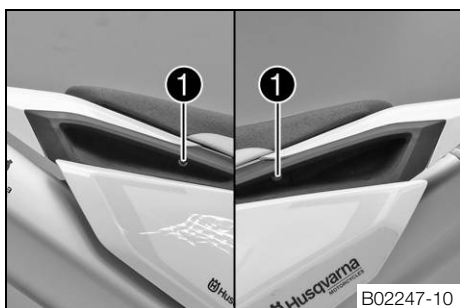
Main work

- Carefully position the shock absorber into the vehicle from above.

Finishing work

- Install the manifold. ↘ (☞ p. 53)
- Mount the seat. (☞ p. 49)
- Install the main silencer. (☞ p. 55)
- Install the right side cover. (☞ p. 56)
- Remove the motorcycle from the lift stand. (☞ p. 41)

12.20 Removing the seat



- Remove screws ❶ in the recessed grips on the left and right.
- Lift the seat at the rear, pull it back, and take it off toward the top.

12.21 Mounting the seat

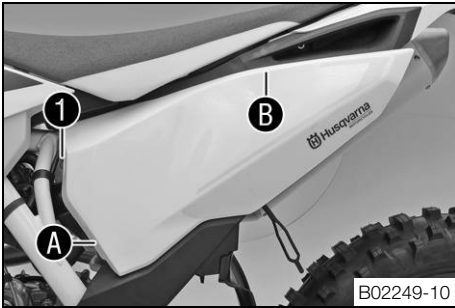


- Attach the front of the seat to the collar bushing of the fuel tank and lower the seat at the rear while pushing forward.
- Make sure that the seat is correctly locked in.
- Mount and tighten the screws for securing the seat.

Guideline

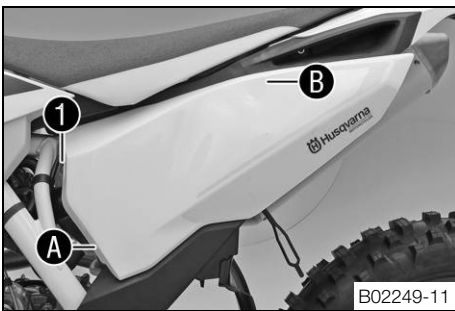
Remaining screws, chassis	M6	10 Nm (7.4 lbf ft)
---------------------------	----	--------------------

12.22 Removing the air filter box lid



- Release catch 1, pull off the air filter box lid sideways in areas A and B and remove toward the rear.

12.23 Installing the air filter box lid



- Position the air filter box lid and tab 1. Engage the air filter box lid in areas A and B.
- Engage tab 1.

12.24 Removing the air filter

Note

Engine failure Unfiltered intake air has a negative effect on the service life of the engine.

- Never operate the vehicle without an air filter as dust and dirt will enter the engine and lead to increased wear.



Warning

Environmental hazard Hazardous substances cause environmental damage.

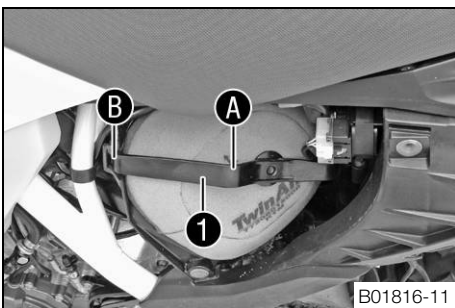
- Oil, grease, filters, fuel, cleaners, brake fluid, etc., should be disposed of as stipulated in applicable regulations.

Preparatory work

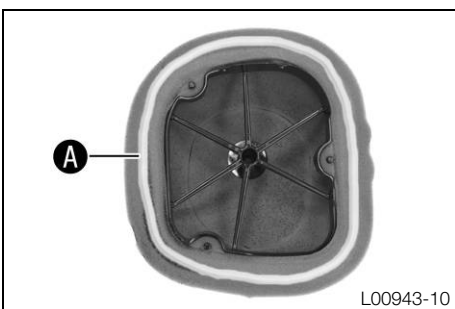
- Remove the air filter box lid. (☛ p. 50)

Main work

- Push air filter holder 1 toward the air filter at position A and detach it at end B. Swing the air filter holder to one side and remove the air filter with the air filter support.
- Remove the air filter from the air filter support.



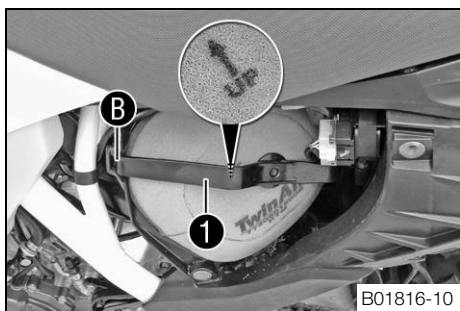
12.25 Installing the air filter



Main work

- Mount the clean air filter on the air filter support.
- Grease the air filter in area A.

Long-life grease (☛ p. 111)



- Insert both parts together, position them, and fasten them using air filter holder **1** in area **B**.
- ✓ The arrow of marking **UP** faces up.

i Info

If the air filter is not correctly mounted, dust and dirt can enter the engine and cause damage.

Finishing work

- Install the air filter box lid. (☞ p. 50)

12.26 Cleaning the air filter and air filter box ☞

Warning

Environmental hazard Hazardous substances cause environmental damage.

- Oil, grease, filters, fuel, cleaners, brake fluid, etc., should be disposed of as stipulated in applicable regulations.

i Info

Do not clean the air filter with fuel or petroleum since these substances attack the foam.

Preparatory work

- Remove the air filter box lid. (☞ p. 50)
- Remove the air filter. ☞ (☞ p. 50)

Main work

- Wash the air filter thoroughly in special cleaning liquid and allow it to dry properly.

Air filter cleaning agent (☞ p. 111)

i Info

Only press the air filter to dry it, never wring it out.

- Oil the dry air filter with a high quality filter oil.

Oil for foam air filter (☞ p. 111)

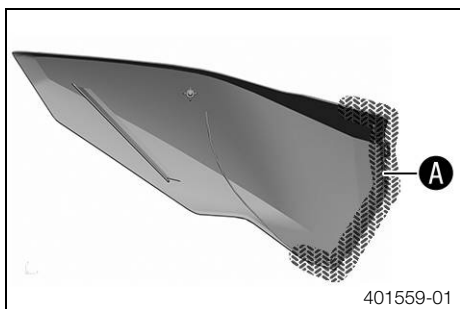
- Clean the air filter box.
- Check the intake flange for damage and looseness.

Finishing work

- Install the air filter. ☞ (☞ p. 50)
- Install the air filter box lid. (☞ p. 50)



12.27 Sealing the air filter box ☞



Preparatory work

- Remove the air filter box lid. (☞ p. 50)

Main work

- Seal the air filter box in the marked area **A**.

Finishing work

- Install the air filter box lid. (☞ p. 50)

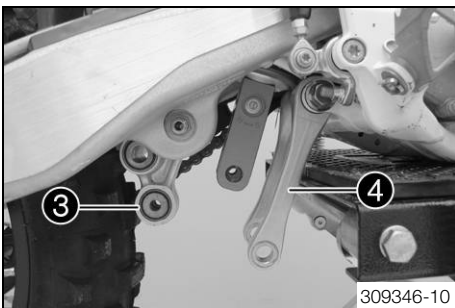
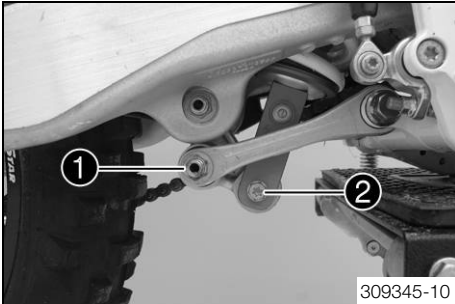
12.28 Removing the manifold ↩

Preparatory work

- Raise the motorcycle with a lift stand. (↪ p. 41)
- Remove the seat. (↪ p. 49)
- Remove the right side cover. (↪ p. 56)
- Remove the main silencer. (↪ p. 54)

Main work

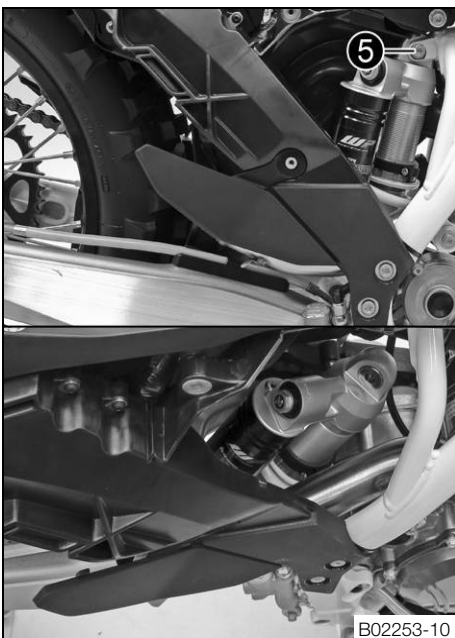
- Remove fitting ❶.
- Remove screw ❷.



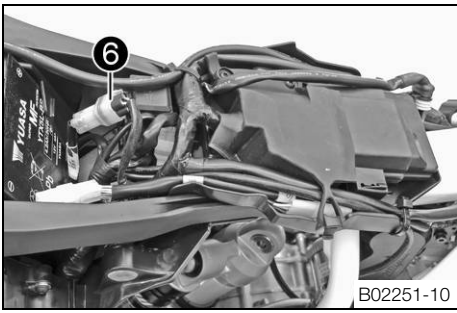
- Press angle lever ❸ toward the rear.
- Press linkage lever ❹ downward.



- Raise the swingarm.

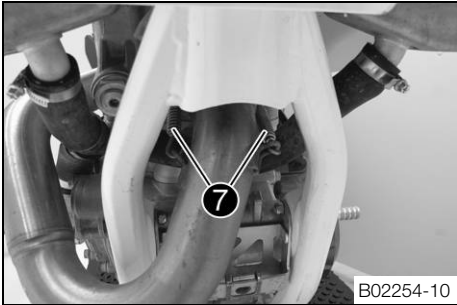


- Remove screw ❺.
- Lower the shock absorber.



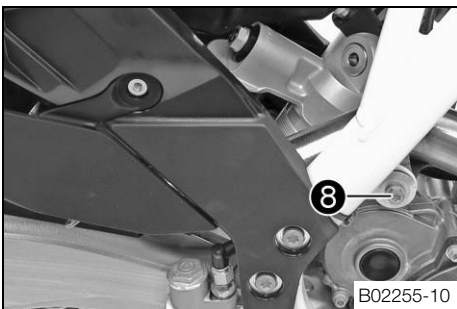
(FE EU)

- Remove the fuel tank. ↗ (p. 56)
- Disconnect the plug-in connector **6** of the lambda sensor and remove the cable tie.



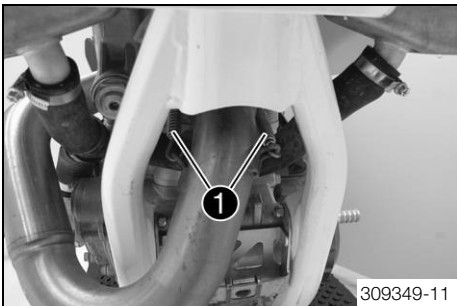
- Remove springs **7**.

Spring hooks (50305017000)



- Remove screw **8** and take off the manifold.

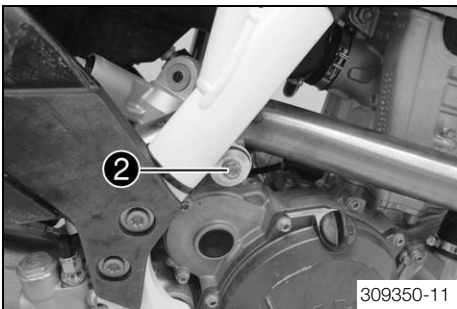
12.29 Installing the manifold ↗



Main work

- Position the manifold and mount springs **1**.

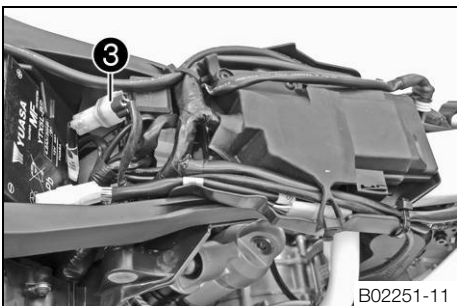
Spring hooks (50305017000)



- Mount and tighten screw **2**.

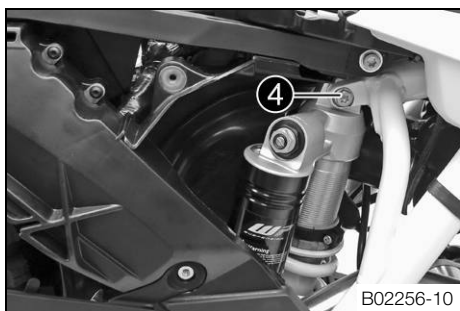
Guideline

Remaining screws, chassis	M8	25 Nm (18.4 lbf ft)
---------------------------	----	---------------------



(FE EU)

- Connect plug-in connector **3** of the lambda sensor, route the cable without tension, and secure with new cable ties.
- Install the fuel tank. ↗ (p. 58)



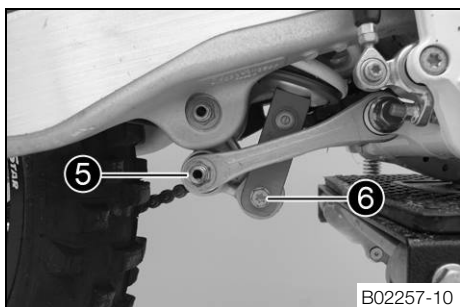
- Position the shock absorber.
- Mount and tighten screw 4.

Guideline

Screw, top shock absorber	M10	60 Nm (44.3 lbf ft)	Loctite® 2701™
---------------------------	-----	------------------------	-----------------------



- Lower the swingarm.



- Position the angle lever and linkage lever.
- Mount and tighten fitting 5.

Guideline

Nut, linkage lever on angle lever	M14x1.5	80 Nm (59 lbf ft)	
-----------------------------------	---------	-------------------	--

- Mount and tighten screw 6.

Guideline

Screw, bottom shock absorber	M10	60 Nm (44.3 lbf ft)	Loctite® 2701™
------------------------------	-----	------------------------	-----------------------

Finishing work

- Install the main silencer. (☛ p. 55)
- Install the right side cover. (☛ p. 56)
- Mount the seat. (☛ p. 49)
- Remove the motorcycle from the lift stand. (☛ p. 41)

12.30 Removing the main silencer



Warning

Danger of burns The exhaust system gets very hot when the vehicle is driven.

- Allow the exhaust system to cool down. Do not touch hot components.

Preparatory work

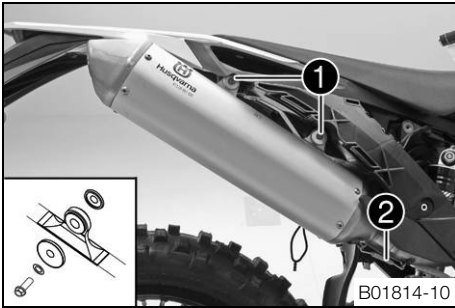
- Remove the right side cover. (☛ p. 56)

Main work

- Disconnect spring 1.
- Remove screws 2 and take off the main silencer.



12.31 Installing the main silencer



Main work

- Mount the main silencer. Mount screws ① but do not tighten yet.
- Reconnect spring ②.
- Tighten screws ①.

Guideline

Remaining screws, chassis	M6	10 Nm (7.4 lbf ft)
---------------------------	----	--------------------

Finishing work

- Install the right side cover. (☛ p. 56)

12.32 Changing the glass fiber yarn filling of the main silencer



Warning

Danger of burns The exhaust system gets very hot when the vehicle is driven.

- Allow the exhaust system to cool down. Do not touch hot components.



Info

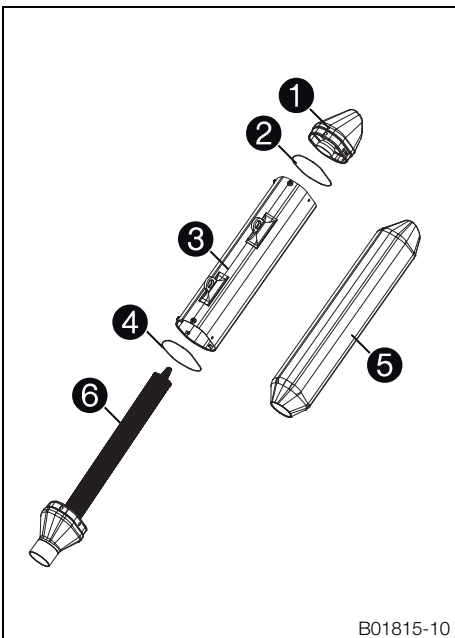
Over time, the fibers of the glass fiber yarn escape and the damper "burns" out. Not only is the noise level higher, the performance characteristic changes.

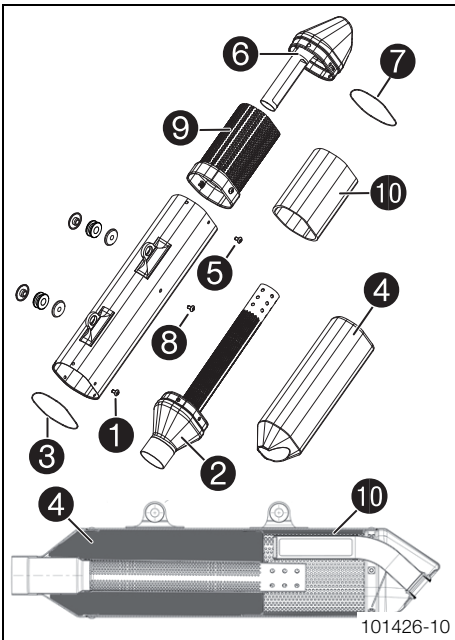
Preparatory work

- Remove the right side cover. (☛ p. 56)
- Remove the main silencer. (☛ p. 54)

Main work (FE EU/AU)

- Remove all screws on the main silencer.
- Take off silencer cap ① and O-ring ②.
- Take off outer tube ③ and O-ring ④.
- Pull glass fiber yarn filling ⑤ off of inner tube ⑥.
- Clean the parts that need to be reinstalled.
- Mount the new glass fiber yarn filling ⑤ on the inner tube.
- Slide O-ring ④ and outer tube ③ over the glass fiber yarn filling.
- Insert O-ring ② and silencer cap ① into the outer tube.
- Mount and tighten all of the screws.





(FE US)

- Remove screws **1** of connecting cap **2**.
- Take off connecting cap **2** with perforated pipe, O-ring **3** and glass fiber yarn filling **4**.
- Remove screws **5** and silencer cap **6** with O-ring **7**.
- Remove screws **8** and insert **9** together with the insulating pad **10**.
- Clean the parts that need to be reinstalled and check for damage.
- Mount the new insulating pad **10** on insert **9** and secure it with adhesive tape.
- Slide insert **9** with insulating pad **10** into the main silencer and secure with screws **8**.
- Mount O-ring **3** onto connecting cap **2**.
- Slide the new glass fiber yarn filling **4** over the perforated pipe.
- Mount connecting cap **2** and glass fiber yarn filling **4** in the main silencer.

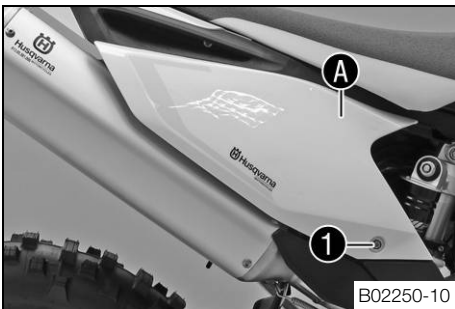
i Info
Slide the glass fiber yarn filling into the main silencer with a blunt tool.

- Mount and tighten screws **1**.
- Mount O-ring **7** on silencer cap **6**.
- Position silencer cap **6**. Mount and tighten screws **5**.

Finishing work

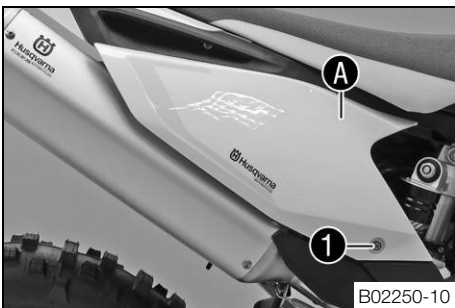
- Install the main silencer. (☛ p. 55)
- Install the right side cover. (☛ p. 56)

12.33 Removing the right side cover



- Remove screw **1**.
- Pull off the side cover in area **A** sideways and remove it toward the rear.

12.34 Installing the right side cover



- Position the side cover and engage in area **A**.
- Mount and tighten screw **1**.

Guideline

Remaining screws, chassis	M6	10 Nm (7.4 lbf ft)
---------------------------	----	--------------------

12.35 Removing the fuel tank

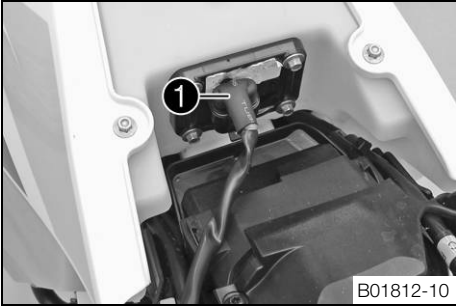
! Danger
Fire hazard Fuel is highly flammable.

- Never refuel the vehicle near open flames or burning cigarettes, and always switch off the engine first. Be careful that no fuel is spilt, especially on hot vehicle components. Clean up spilt fuel immediately.
- The fuel in the fuel tank expands when warm and may emerge if overfilled. Follow the instructions on refueling.

Warning

Danger of poisoning Fuel is poisonous and a health hazard.

- Fuel must not come into contact with the skin, eyes, or clothing. Do not breathe in the fuel vapors. If contact occurs with the eyes, rinse with water immediately and contact a physician. Immediately clean contaminated areas on the skin with soap and water. If fuel is swallowed, contact a physician immediately. Change clothing that is contaminated with fuel. Store fuel properly in a suitable canister and keep away from children.

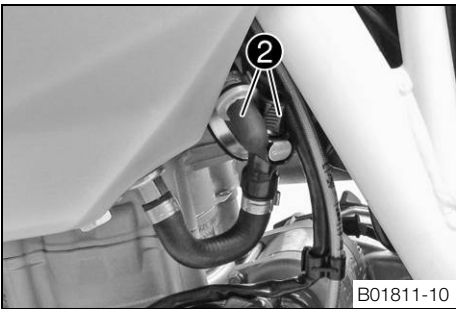


Preparatory work

- Remove the seat. (☛ p. 49)

Main work

- Detach connector **1** of the fuel pump.
- Remove the tube from the fuel tank breather.



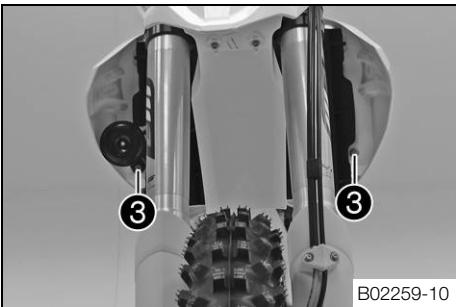
- Thoroughly clean the plug-in connection of the fuel line using compressed air.

i Info

Under no circumstances should dirt enter into the fuel line. Dirt in the fuel line clogs the injection valve.

- Disconnect the plug-in connection of the fuel line.
- Mount wash cap set **2**.

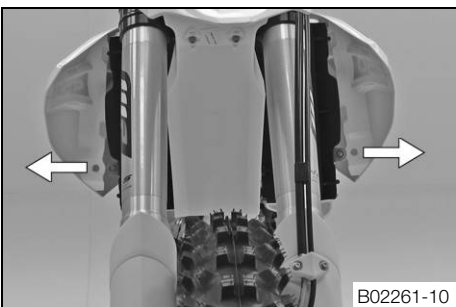
Wash cap set (81212016100)



- Detach the connector for the horn.
- Remove screws **3** with the collar bushings and horn.



- Remove screw **4** with the rubber bushing.



- Pull both spoilers off of the sides of the radiator bracket and lift off the fuel tank.

12.36 Installing the fuel tank ↻



Danger

Fire hazard Fuel is highly flammable.

- Never refuel the vehicle near open flames or burning cigarettes, and always switch off the engine first. Be careful that no fuel is spilt, especially on hot vehicle components. Clean up spilt fuel immediately.
- The fuel in the fuel tank expands when warm and may emerge if overfilled. Follow the instructions on refueling.



Warning

Danger of poisoning Fuel is poisonous and a health hazard.

- Fuel must not come into contact with the skin, eyes, or clothing. Do not breathe in the fuel vapors. If contact occurs with the eyes, rinse with water immediately and contact a physician. Immediately clean contaminated areas on the skin with soap and water. If fuel is swallowed, contact a physician immediately. Change clothing that is contaminated with fuel.

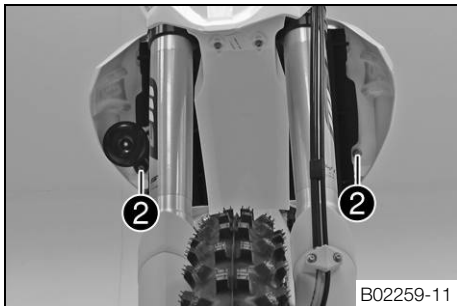


Main work

- Check the routing of the throttle cable. (↻ p. 63)
- Position the fuel tank and fit the two spoilers to the sides of the radiator bracket.
- Make sure that no cables are trapped or damaged.
- Mount the fuel tank breather.
- Mount and tighten screw **1** with the rubber bushing.

Guideline

Remaining screws, chassis	M6	10 Nm (7.4 lbf ft)
---------------------------	----	--------------------

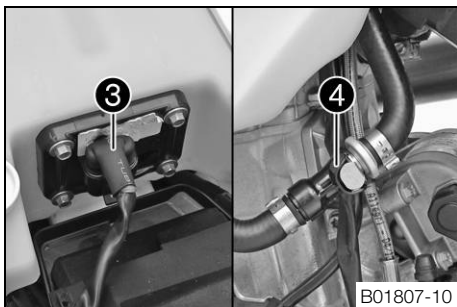


- Position the collar bushings and horn, fit and tighten screws **2**.

Guideline

Remaining screws, chassis	M6	10 Nm (7.4 lbf ft)
---------------------------	----	--------------------

- Attach the connector of the horn.



- Attach connector **3** of the fuel pump.
- Remove the wash cap set.
- Thoroughly clean the plug-in connection of the fuel line using compressed air.



Info

Never let dirt enter the fuel line. Dirt in the fuel line clogs the injection valve.

- Lubricate the O-ring and connect plug-in connection **4** of the fuel line.



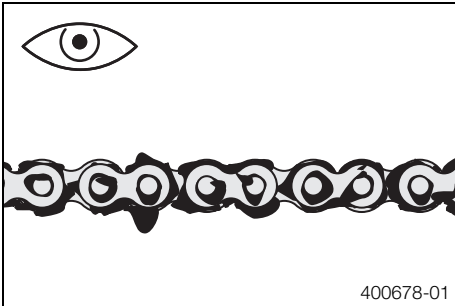
Info

Route the cable and fuel line at a safe distance from the exhaust system.

Finishing work

- Mount the seat. (↻ p. 49)

12.37 Checking for chain dirt accumulation



- Check the chain for coarse dirt accumulation.
 - » If the chain is very dirty:
 - Clean the chain. (☛ p. 59)

12.38 Cleaning the chain



Warning

Danger of accidents Oil or grease on the tires reduces their grip.

- Remove oil and grease with a suitable cleaning material.



Warning

Danger of accidents Reduced braking efficiency due to oil or grease on the brake discs.

- Always keep the brake discs free of oil and grease, and clean them with brake cleaner when necessary.



Warning

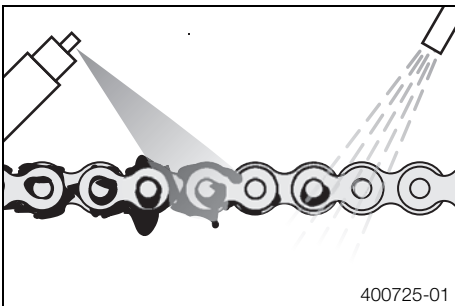
Environmental hazard Hazardous substances cause environmental damage.

- Oil, grease, filters, fuel, cleaners, brake fluid, etc., should be disposed of as stipulated in applicable regulations.



Info

The service life of the chain depends largely on its maintenance.



Preparatory work

- Raise the motorcycle with a lift stand. (☛ p. 41)

Main work

- Clean the chain regularly and then treat with chain spray.

Offroad chain spray (☛ p. 111)

Finishing work

- Remove the motorcycle from the lift stand. (☛ p. 41)

12.39 Checking the chain tension



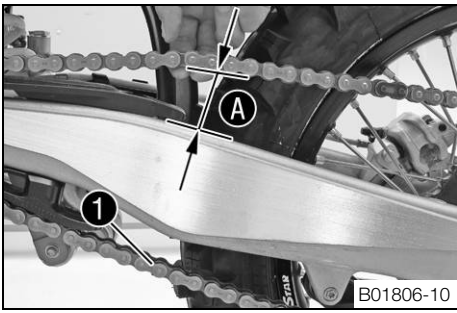
Warning

Danger of accidents Danger caused by incorrect chain tension.

- If the chain is too taut, the components of the secondary power transmission (chain, engine sprocket, rear sprocket, bearings in the transmission and in the rear wheel) will be under additional load. In addition to premature wear, this can cause the chain or the countershaft of the transmission to break in extreme cases. If the chain is too loose, however, it may fall off the engine sprocket or rear sprocket and block the rear wheel or damage the engine. Ensure that the chain tension is correct and adjust it if necessary.

Preparatory work

- Raise the motorcycle with a lift stand. (☛ p. 41)



Main work

- Pull the chain at the end of the chain sliding component upwards to measure chain tension **A**.

i Info

The lower chain section **1** must be taut. Chain wear is not always even, so you should repeat this measurement at different chain positions.

Chain tension	55... 58 mm (2.17... 2.28 in)
---------------	-------------------------------

- » If the chain tension does not meet specifications:
 - Adjust the chain tension. (☛ p. 60)

Finishing work

- Remove the motorcycle from the lift stand. (☛ p. 41)

12.40 Adjusting the chain tension

Warning

Danger of accidents Danger caused by incorrect chain tension.

- If the chain is too taut, the components of the secondary power transmission (chain, engine sprocket, rear sprocket, bearings in the transmission and in the rear wheel) will be under additional load. In addition to premature wear, this can cause the chain or the countershaft of the transmission to break in extreme cases. If the chain is too loose, however, it may fall off the engine sprocket or rear sprocket and block the rear wheel or damage the engine. Ensure that the chain tension is correct and adjust it if necessary.

Preparatory work

- Raise the motorcycle with a lift stand. (☛ p. 41)
- Check the chain tension. (☛ p. 59)

Main work

- Loosen nut **1**.
- Loosen nuts **2**.
- Adjust the chain tension by turning adjusting screws **3** left and right.

Guideline

Chain tension	55... 58 mm (2.17... 2.28 in)
Turn adjusting screws 3 on the left and right so that the markings on the left and right chain adjusters are in the same position relative to reference marks A . The rear wheel is then correctly aligned.	

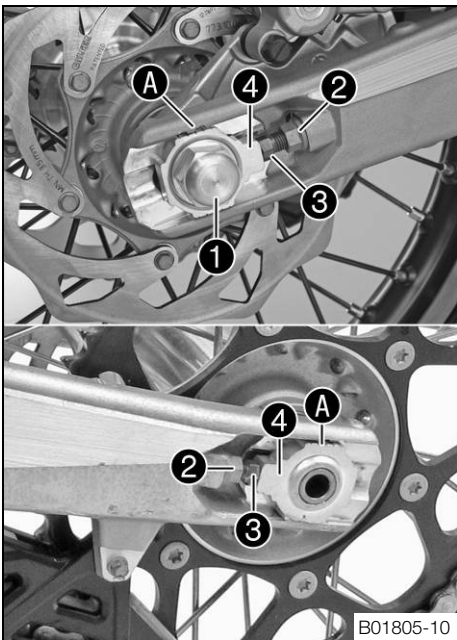
- Tighten nuts **2**.
- Make sure that the chain adjusters **4** are fitted correctly on the adjusting screws **3**.
- Tighten nut **1**.

Guideline

Nut, rear wheel spindle	M20x1.5	80 Nm (59 lbf ft)
-------------------------	---------	-------------------

i Info

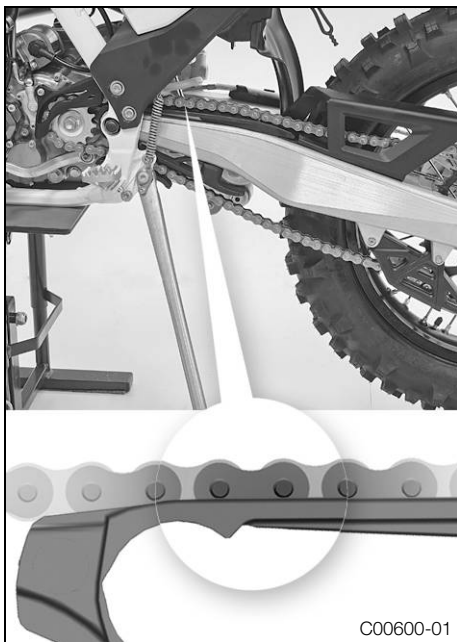
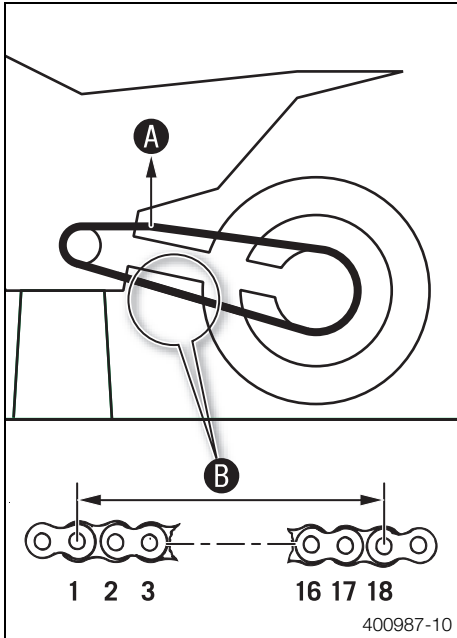
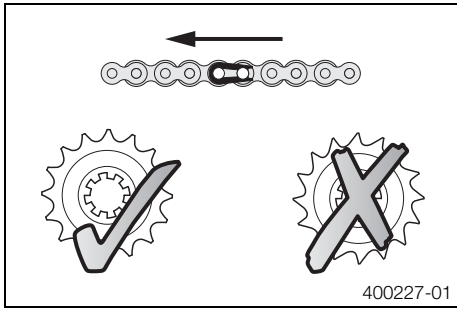
The wide adjustment range of the chain adjusters (32 mm (1.26 in)) enables different secondary ratios with the same chain length. Chain adjusters **4** can be turned by 180°.



Finishing work

- Remove the motorcycle from the lift stand. (☛ p. 41)

12.41 Checking the chain, rear sprocket, engine sprocket and chain guide



Preparatory work

- Raise the motorcycle with a lift stand. (☞ p. 41)

Main work

- Shift gear to neutral.
- Check the rear sprocket and engine sprocket for wear.
 - » If the rear sprocket or engine sprocket is worn:
 - Change the power set. 🛠️



Info

The engine sprocket, rear sprocket and chain should always be replaced together.

- Pull on the upper part of the chain with the specified weight **A**.

Guideline

Weight of chain wear measurement	10... 15 kg (22... 33 lb.)
----------------------------------	----------------------------

- Measure the distance **B** of 18 chain links in the lower chain section.



Info

Chain wear is not always even, so you should repeat this measurement at different chain positions.

Maximum distance B at the longest chain section	272 mm (10.71 in)
--	-------------------

- » If the distance **B** is greater than the specified measurement:
 - Change the power set. 🛠️



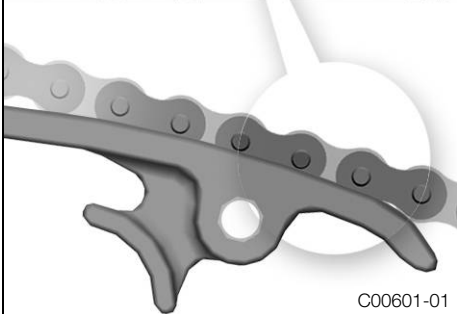
Info

When the chain is replaced, the rear sprocket and engine sprocket should also be changed.
New chains wear out faster on old, worn sprockets.

- Check the chain sliding guard for wear.
 - » If the bottom edge of the chain bolt is in line with or below the chain sliding guard:
 - Change the chain sliding guard. 🛠️
- Check that the chain sliding guard is firmly seated.
 - » If the chain sliding guard is loose:
 - Tighten the chain sliding guard.

Guideline

Screw, chain sliding guard	M6	6 Nm (4.4 lbf ft)	Loctite® 243™
----------------------------	----	----------------------	----------------------

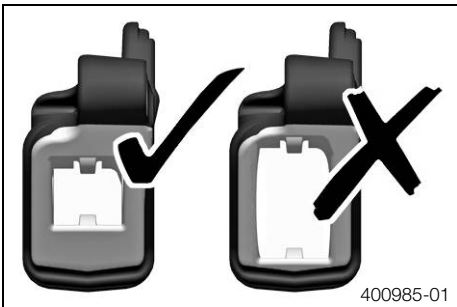


C00601-01

- Check the chain sliding piece for wear.
 - » If the bottom edge of the chain bolt is in line with or below the chain sliding piece:
 - Change the chain sliding piece. 🛠️
- Check that the chain sliding piece is firmly seated.
 - » If the chain sliding piece is loose:
 - Tighten the chain sliding piece.

Guideline

Screw, chain sliding piece	M8	15 Nm (11.1 lbf ft)
----------------------------	----	------------------------



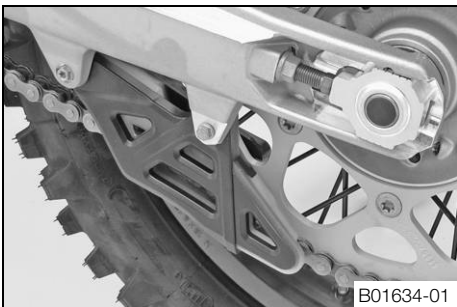
400985-01

- Check the chain guide for wear.

i Info

Wear is visible on the front of the chain guide.

- » If the light part of the chain guide is worn:
 - Change the chain guide. 🛠️



B01634-01

- Check that the chain guide is firmly seated.
 - » If the chain guide is loose:
 - Tighten the chain guide.

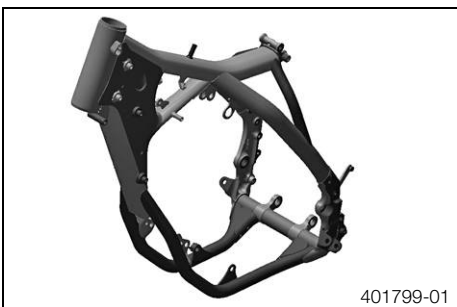
Guideline

Remaining screws, chassis	M6	10 Nm (7.4 lbf ft)
Remaining nuts, chassis	M6	10 Nm (7.4 lbf ft)

Finishing work

- Remove the motorcycle from the lift stand. (🔧 p. 41)

12.42 Checking the frame 🛠️



401799-01

- Check the frame for cracks and deformation.
 - » If the frame exhibits cracks or deformation due to a mechanical impact:
 - Change the frame. 🛠️

i Info

A frame that has been damaged due to a mechanical impact must always be changed. Repair of the frame is not authorized by Husqvarna.

12.43 Checking the swingarm ↘



- Check the swingarm for damage, cracking, and deformation.
 - » If the swingarm shows signs of damage, cracking, or deformation:
 - Change the swingarm. ↘



Info

A damaged swingarm must always be changed. Repair of the swingarm is not authorized by Husqvarna.

12.44 Checking the routing of the throttle cable

Preparatory work

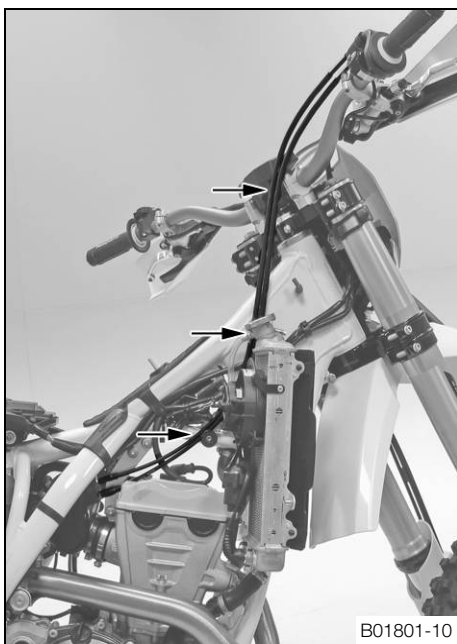
- Remove the seat. (↘ p. 49)
- Remove the fuel tank. ↘ (↘ p. 56)

Main work

- Check the routing of the throttle cable.

Both throttle cables must be routed to the throttle valve body side by side behind the handlebars and above the fuel tank bearing.

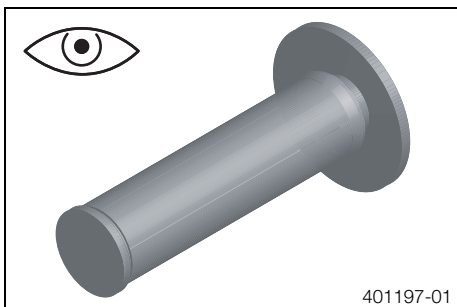
- » If the throttle cable is not routed as specified:
 - Correct the routing of the throttle cable.



Finishing work

- Install the fuel tank. ↘ (↘ p. 58)
- Mount the seat. (↘ p. 49)

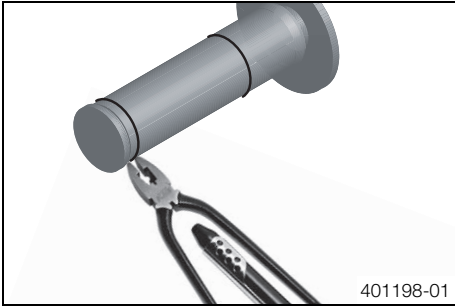
12.45 Checking the rubber grip



- Check the rubber grips on the handlebar for damage, wear, and looseness.
 - » If a rubber grip is damaged, worn, or loose:
 - Change and secure the rubber grip.

Rubber grip adhesive (00062030051) (↘ p. 111)

12.46 Additionally securing the rubber grip



Preparatory work

- Check the rubber grip. (☛ p. 63)

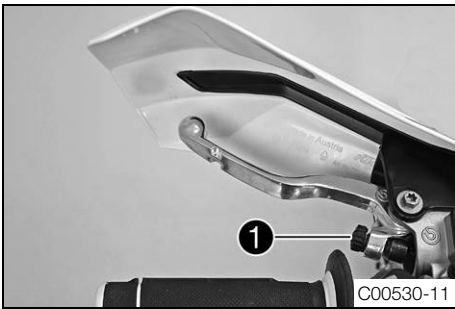
Main work

- Secure the rubber grip at two points using the securing wire.

Securing wire (54812016000)
Wire twister forceps (U6907854)

- ✓ The twisted wire ends face away from the hands and are bent toward the rubber grip.

12.47 Adjusting the basic position of the clutch lever



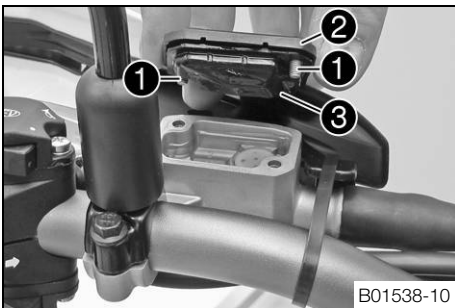
- Adjust the basic setting of the clutch lever to your hand size by turning adjusting screw ①.

i Info

Turn the adjusting screw clockwise to increase the distance between the clutch lever and the handlebar.
 Turn the adjusting screw counterclockwise to decrease the distance between the clutch lever and the handlebar.
 The range of adjustment is limited.
 Turn the adjusting screw by hand only, and do not apply any force.
 Do not make any adjustments while riding!

12.48 Checking/rectifying the fluid level of the hydraulic clutch

i Info
 The fluid level rises with increased wear of the clutch lining discs.



- Move the clutch fluid reservoir mounted on the handlebar to a horizontal position.
- Remove screws ①.
- Remove cover ② with membrane ③.
- Check the fluid level.

Fluid level below container rim	4 mm (0.16 in)
---------------------------------	----------------

- » If the fluid level does not meet specifications:
 - Correct the fluid level of the hydraulic clutch.

Brake fluid DOT 4 (☛ p. 109)

- Position the cover with the membrane. Mount and tighten the screws.

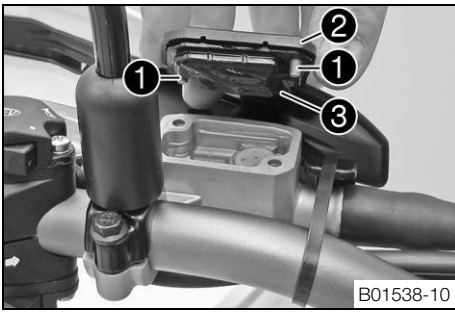
i Info

Clean up overflowed or spilt brake fluid immediately with water.

12.49 Changing the hydraulic clutch fluid ☞

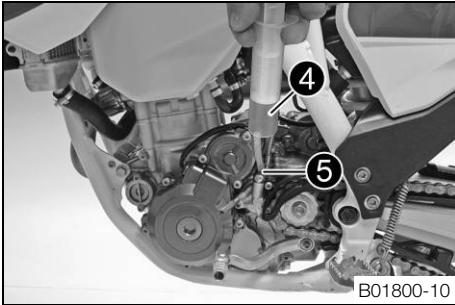
Warning
Environmental hazard Hazardous substances cause environmental damage.

- Oil, grease, filters, fuel, cleaners, brake fluid, etc., should be disposed of as stipulated in applicable regulations.



B01538-10

- Move the clutch fluid reservoir mounted on the handlebar to a horizontal position.
- Remove screws ①.
- Remove cover ② with membrane ③.



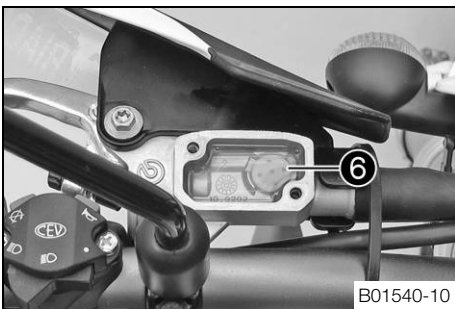
B01800-10

- Fill bleeding syringe ④ with the appropriate hydraulic fluid.

Bleed syringe (50329050000)

Brake fluid DOT 4 (☛ p. 109)

- On the clutch slave cylinder, remove bleeder screw ⑤ and mount bleeding syringe ④.



B01540-10

- Inject the liquid into the system until it escapes from openings ⑥ of the master cylinder without bubbles.
- To prevent overflow, drain fluid occasionally from the master cylinder reservoir.
- Remove the bleeding syringe. Mount and tighten the bleeder screw.
- Correct the fluid level of the hydraulic clutch.

Guideline

Fluid level below top edge of container	4 mm (0.16 in)
---	----------------

- Position the cover with the membrane. Mount and tighten the screws.

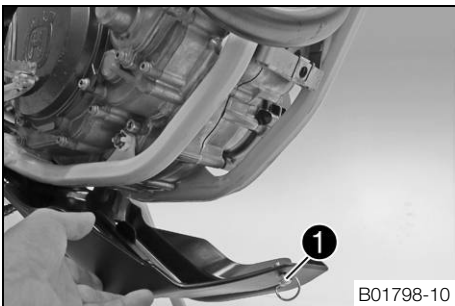
12.50 Removing the engine guard



B01799-10

- Turn quick release ① counterclockwise until it disengages. Remove the engine guard.

12.51 Installing the engine guard



B01798-10

- Attach the engine guard on the frame at the rear and swing up at the front.
- Turn quick release ① clockwise all the way.

13.1 Checking free travel of hand brake lever

Warning

Danger of accidents Brake system failure.

- If there is no free travel on the hand brake lever, pressure builds up on the front brake circuit. The front brake can fail due to overheating. Adjust the free travel on hand brake lever according to specifications.



B01636-10

(FE EU/AU)

- Push the hand brake to the handlebar and check free travel **A**.

Free travel of hand brake lever	$\geq 3 \text{ mm } (\geq 0.12 \text{ in})$
---------------------------------	---

- » If the free travel does not meet specifications:
 - Adjust the free travel of the hand brake lever. (☛ p. 66)



B01637-10

(FE US)

- Push the hand brake lever forwards and check free travel **A**.

Free travel of hand brake lever	$\geq 3 \text{ mm } (\geq 0.12 \text{ in})$
---------------------------------	---

- » If the free travel does not meet specifications:
 - Adjust the basic position of the hand brake lever. (☛ p. 66)

13.2 Adjusting free travel of hand brake lever (FE EU/AU)



B01638-10

- Check the free travel of the hand brake lever. (☛ p. 66)
- Adjust the free travel of the hand brake lever with adjusting screw **1**.

i Info

Turn the adjusting screw clockwise to reduce free travel. The pressure point moves away from the handlebar.

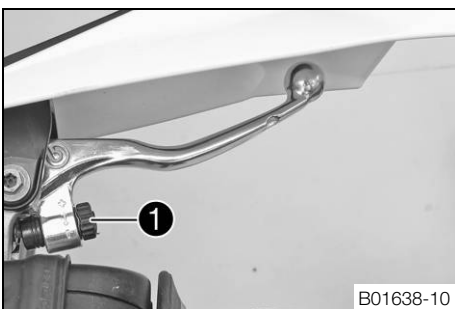
Turn the adjusting screw counterclockwise to increase free travel. The pressure point moves towards the handlebar.

The range of adjustment is limited.

Turn the adjusting screw by hand only, and do not apply any force.

Do not make any adjustments while riding!

13.3 Adjusting the basic position of the hand brake lever (FE US)



B01638-10

- Check the free travel of the hand brake lever. (☛ p. 66)
- Adjust the basic setting of the hand brake lever to your hand size by turning adjusting screw **1**.

i Info

Turn the adjusting screw clockwise to increase the distance between the hand brake lever and the handlebar.

Turn the adjusting screw counterclockwise to decrease the distance between the hand brake lever and the handlebar.

The range of adjustment is limited.

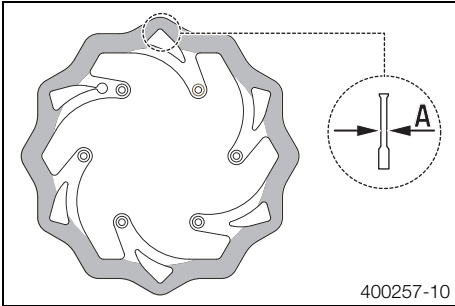
Turn the adjusting screw by hand only, and do not apply any force.

Do not make any adjustments while riding!

13.4 Checking the brake discs

Warning
Danger of accidents Reduced braking efficiency due to worn brake disc(s).

- Change the worn brake disc(s) without delay. (Your authorized Husqvarna workshop will be glad to help.)



- Check the thickness of the front and rear brake discs at several places on the disk to see if it conforms to measurement **A**.

Info
 Wear reduces the thickness of the brake disc around the area used by the brake linings.

Brake discs - wear limit	
Front	2.5 mm (0.098 in)
Rear	3.5 mm (0.138 in)

- » If the brake disc thickness is less than the specified value:
 - Change the brake disc.
- Check the front and rear brake discs for damage, cracking and deformation.
 - » If the brake disc shows signs of damage, cracking, or deformation:
 - Change the brake disc.

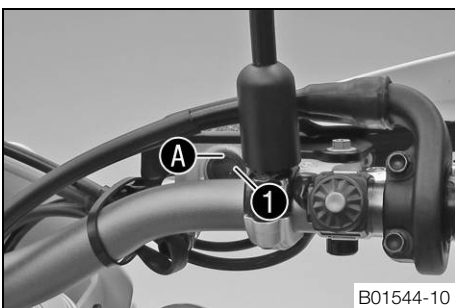
13.5 Checking the front brake fluid level

Warning
Danger of accidents Brake system failure.

- If the brake fluid level drops below the specified marking or the specified value, this is an indication that the brake system is leaking or that the brake linings are completely worn down. Check the brake system and do not continue riding. (Your authorized Husqvarna workshop will be glad to help.)

Warning
Danger of accidents Reduced braking efficiency due to old brake fluid.

- Change the brake fluid of the front and rear brake according to the service schedule. (Your authorized Husqvarna workshop will be glad to help.)



- Move the brake fluid reservoir mounted on the handlebar to a horizontal position.
- Check the brake fluid level in the viewer **1**.
 - » If the brake fluid level has dropped below marking **A**:
 - Add front brake fluid. 🛠️ (p. 67)

13.6 Adding front brake fluid 🛠️

Warning
Danger of accidents Brake system failure.

- If the brake fluid level drops below the specified marking or the specified value, this is an indication that the brake system is leaking or that the brake linings are completely worn down. Check the brake system and do not continue riding. (Your authorized Husqvarna workshop will be glad to help.)

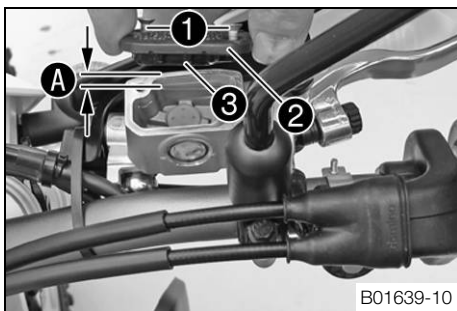
Warning
Skin irritation Brake fluid can cause skin irritation on contact.

- Avoid contact with skin and eyes, and keep out of the reach of children.
- Wear suitable protective clothing and goggles.
- If brake fluid comes into contact with the eyes, flush the eyes thoroughly with water and consult a physician immediately.

- Warning**
Danger of accidents Reduced braking efficiency due to old brake fluid.
- Change the brake fluid of the front and rear brake according to the service schedule. (Your authorized Husqvarna workshop will be glad to help.)

- Warning**
Environmental hazard Hazardous substances cause environmental damage.
- Oil, grease, filters, fuel, cleaners, brake fluid, etc., should be disposed of as stipulated in applicable regulations.

i Info
 Never use DOT 5 brake fluid. It is silicone-based and purple in color. Oil seals and brake lines are not designed for DOT 5 brake fluid.
 Avoid contact between brake fluid and painted parts. Brake fluid attacks paint!
 Use only clean brake fluid from a sealed container.



Preparatory work

- Check the front brake linings. (☛ p. 68)

Main work

- Move the brake fluid reservoir mounted on the handlebar to a horizontal position.
- Remove screws ①.
- Remove cover ② with membrane ③.
- Add brake fluid to level A.

Guideline

Level A (brake fluid level below container rim)	5 mm (0.2 in)
---	---------------

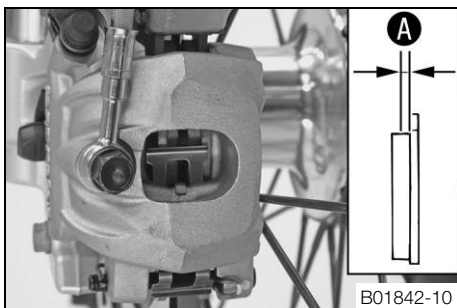
Brake fluid DOT 4 (☛ p. 109)

- Position the cover with the membrane. Mount and tighten the screws.

i Info
 Clean up overflowed or spilt brake fluid immediately with water.

13.7 Checking the front brake linings

- Warning**
Danger of accidents Reduced braking efficiency caused by worn brake linings.
- Change worn brake linings immediately. (Your authorized Husqvarna workshop will be glad to help.)



- Check the brake linings for minimum thickness A.

Minimum thickness A	≥ 1 mm (≥ 0.04 in)
---------------------	--------------------

- » If the minimum thickness is less than specified:
 - Change the front brake linings. ☛ (☛ p. 69)
- Check the brake linings for damage and cracking.
 - » If damage or cracking is visible:
 - Change the front brake linings. ☛ (☛ p. 69)

13.8 Changing the front brake linings ↴

Warning
Danger of accident Brake system failure.

- Maintenance work and repairs must be carried out professionally. (Your authorized Husqvarna workshop will be glad to help.)

Warning
Skin irritation Brake fluid can cause skin irritation on contact.

- Avoid contact with skin and eyes, and keep out of the reach of children.
- Wear suitable protective clothing and goggles.
- If brake fluid comes into contact with the eyes, flush the eyes thoroughly with water and consult a physician immediately.

Warning
Danger of accidents Reduced braking efficiency due to old brake fluid.

- Change the brake fluid of the front and rear brake according to the service schedule. (Your authorized Husqvarna workshop will be glad to help.)

Warning
Danger of accidents Reduced braking efficiency due to oil or grease on the brake discs.

- Always keep the brake discs free of oil and grease, and clean them with brake cleaner when necessary.

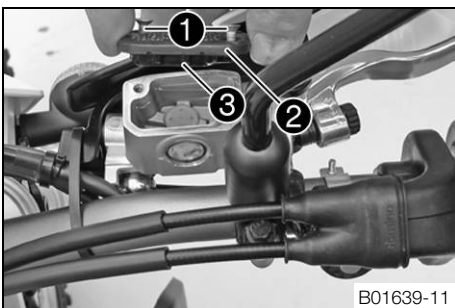
Warning
Danger of accidents Reduced braking efficiency due to the use of non-approved brake linings.

- Brake linings available in accessories stores often have not been tested and approved for use in Husqvarna vehicles. The structure and friction coefficient of the brake linings and thus their brake power may vary greatly from that of original Husqvarna brake linings. If brake linings that differ from the original equipment are used, it cannot be guaranteed that these are in keeping with the original homologation. In this case, the vehicle will not correspond to its condition at delivery and the warranty shall be void.

Warning
Environmental hazard Hazardous substances cause environmental damage.

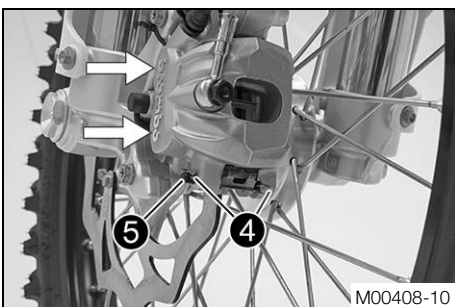
- Oil, grease, filters, fuel, cleaners, brake fluid, etc., should be disposed of as stipulated in applicable regulations.

i Info
 Never use DOT 5 brake fluid. It is silicone-based and purple in color. Oil seals and brake lines are not designed for DOT 5 brake fluid.
 Avoid contact between brake fluid and painted parts. Brake fluid attacks paint!
 Use only clean brake fluid from a sealed container.



B01639-11

- Move the brake fluid reservoir mounted on the handlebar to a horizontal position.
- Remove screws **1**.
- Remove cover **2** with membrane **3**.

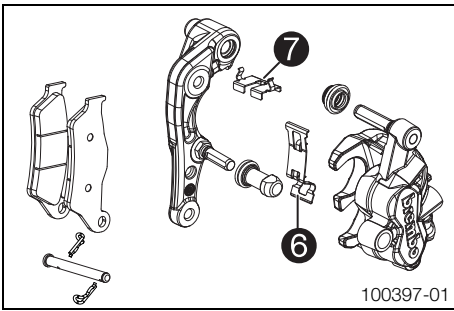


M00408-10

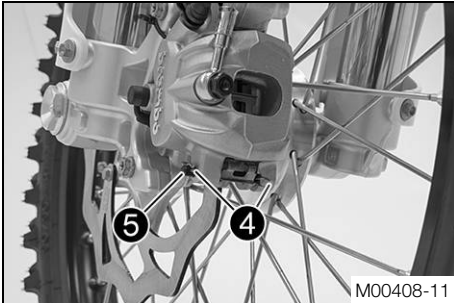
- Manually press the brake caliper to the brake disc to push back the brake pistons. Ensure that brake fluid does not flow out of the brake fluid reservoir, extracting it by suction if it does.

i Info
 Make sure when pushing back the brake pistons that you do not press the brake caliper against the spokes.

- Remove cotter pins **4**, pull out pin **5**, and remove the brake linings.
- Clean the brake caliper and brake caliper support.



- Check that leaf spring **6** in the brake caliper and sliding plate **7** in the brake caliper support are seated correctly.

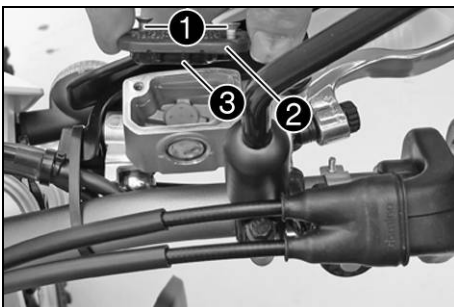


- Insert the new brake linings, insert pin **5**, and mount cotter pins **4**.

i Info

Always change the brake linings in pairs.

- Operate the hand brake lever repeatedly until the brake linings are in contact with the brake disc and there is a pressure point.



- Correct the brake fluid to level **A**.

Guideline

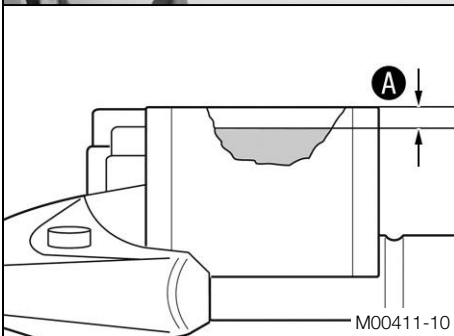
Level A (brake fluid level below container rim)	5 mm (0.2 in)
--	---------------

Brake fluid DOT 4 (☞ p. 109)

- Position cover **2** with membrane **3**.
- Mount and tighten screws **1**.

i Info

Clean up overflowed or spilt brake fluid immediately with water.

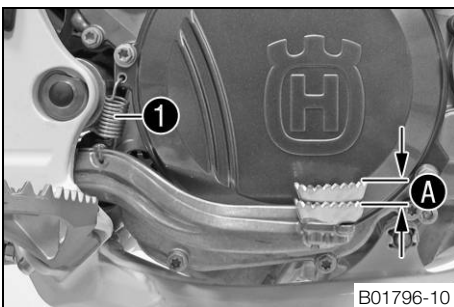


13.9 Checking the free travel of foot brake lever

Warning

Danger of accidents Brake system failure.

- If there is no free travel on the foot brake lever, pressure builds up on the rear brake circuit. The rear brake can fail due to overheating. Adjust the free travel on foot brake lever according to specifications.



- Disconnect spring **1**.
- Move the foot brake lever back and forth between the end stop and the contact to the foot brake cylinder piston and check free travel **A**.

Guideline

Free travel at foot brake lever	3... 5 mm (0.12... 0.2 in)
---------------------------------	----------------------------

» If the free travel does not meet specifications:

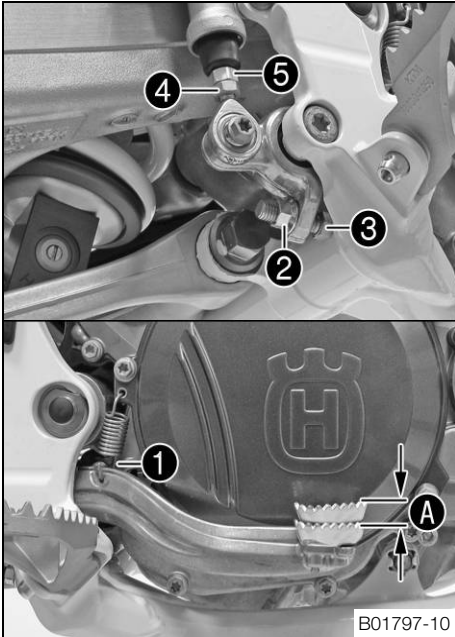
- Adjust the basic position of the foot brake lever. ☞ (☞ p. 71)

- Reconnect spring **1**.

13.10 Adjusting the basic position of the foot brake lever ↘

Warning
Danger of accidents Brake system failure.

- If there is no free travel on the foot brake lever, pressure builds up on the rear brake circuit. The rear brake can fail due to overheating. Adjust the free travel on foot brake lever according to specifications.



- Disconnect spring ①.
- Loosen nut ④ and, with push rod ⑤, turn it back until you have maximum free travel.
- To adjust the basic position of the foot brake lever individually, loosen nut ② and turn screw ③ accordingly.

i Info
 The range of adjustment is limited.

- Turn push rod ⑤ accordingly until you have free travel A. If necessary, adjust the basic position of the foot brake lever.

Guideline

Free travel at foot brake lever	3... 5 mm (0.12... 0.2 in)
---------------------------------	----------------------------

- Hold screw ③ and tighten nut ②.

Guideline

Nut, foot brake lever stop	M8	20 Nm (14.8 lbf ft)
----------------------------	----	---------------------

- Hold push rod ⑤ and tighten nut ④.

Guideline

Remaining nuts, chassis	M6	10 Nm (7.4 lbf ft)
-------------------------	----	--------------------

- Reconnect spring ①.

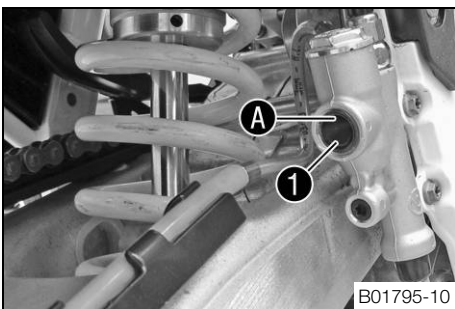
13.11 Checking the rear brake fluid level

Warning
Danger of accidents Brake system failure.

- If the brake fluid level drops below the specified marking or the specified value, this is an indication that the brake system is leaking or that the brake linings are completely worn down. Check the brake system and do not continue riding. (Your authorized Husqvarna workshop will be glad to help.)

Warning
Danger of accidents Reduced braking efficiency due to old brake fluid.

- Change the brake fluid of the front and rear brake according to the service schedule. (Your authorized Husqvarna workshop will be glad to help.)



- Stand the vehicle upright.
- Check the brake fluid level in level viewer ①.
 - » If the brake fluid level has dropped below marking A:
 - Add rear brake fluid. ↘ (p. 72)

13.12 Adding rear brake fluid

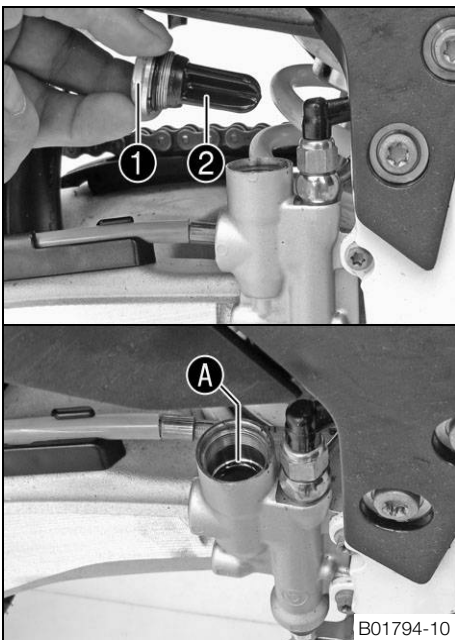
- Warning**
Danger of accidents Brake system failure.
- If the brake fluid level drops below the specified marking or the specified value, this is an indication that the brake system is leaking or that the brake linings are completely worn down. Check the brake system and do not continue riding. (Your authorized Husqvarna workshop will be glad to help.)

- Warning**
Skin irritation Brake fluid can cause skin irritation on contact.
- Avoid contact with skin and eyes, and keep out of the reach of children.
 - Wear suitable protective clothing and goggles.
 - If brake fluid comes into contact with the eyes, flush the eyes thoroughly with water and consult a physician immediately.

- Warning**
Danger of accidents Reduced braking efficiency due to old brake fluid.
- Change the brake fluid of the front and rear brake according to the service schedule. (Your authorized Husqvarna workshop will be glad to help.)

- Warning**
Environmental hazard Hazardous substances cause environmental damage.
- Oil, grease, filters, fuel, cleaners, brake fluid, etc., should be disposed of as stipulated in applicable regulations.

i Info
 Never use DOT 5 brake fluid. It is silicone-based and purple in color. Oil seals and brake lines are not designed for DOT 5 brake fluid.
 Avoid contact between brake fluid and painted parts. Brake fluid attacks paint!
 Use only clean brake fluid from a sealed container.



Preparatory work

- Check the rear brake linings. (☛ p. 73)

Main work

- Stand the vehicle upright.
- Remove screw cap 1 with membrane 2 and the O-ring.
- Add brake fluid to level A.

Brake fluid DOT 4 (☛ p. 109)

- Mount the screw cap with the membrane and O-ring.

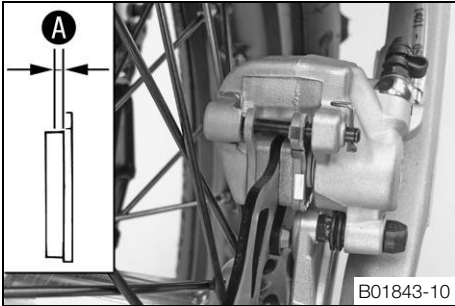
i Info
 Clean up overflowed or spilt brake fluid immediately with water.

13.13 Checking the rear brake linings

Warning

Danger of accidents Reduced braking efficiency caused by worn brake linings.

- Change worn brake linings immediately. (Your authorized Husqvarna workshop will be glad to help.)



- Check the brake linings for minimum thickness **A**.

Minimum thickness A	$\geq 1 \text{ mm } (\geq 0.04 \text{ in})$
----------------------------	---

- » If the minimum thickness is less than specified:
 - Change the rear brake linings. ↘ (p. 73)
- Check the brake linings for damage and cracking.
 - » If damage or cracking is visible:
 - Change the rear brake linings. ↘ (p. 73)

13.14 Changing the rear brake linings ↘

Warning

Danger of accident Brake system failure.

- Maintenance work and repairs must be carried out professionally. (Your authorized Husqvarna workshop will be glad to help.)

Warning

Skin irritation Brake fluid can cause skin irritation on contact.

- Avoid contact with skin and eyes, and keep out of the reach of children.
- Wear suitable protective clothing and goggles.
- If brake fluid comes into contact with the eyes, flush the eyes thoroughly with water and consult a physician immediately.

Warning

Danger of accidents Reduced braking efficiency due to old brake fluid.

- Change the brake fluid of the front and rear brake according to the service schedule. (Your authorized Husqvarna workshop will be glad to help.)

Warning

Danger of accidents Reduced braking efficiency due to oil or grease on the brake discs.

- Always keep the brake discs free of oil and grease, and clean them with brake cleaner when necessary.

Warning

Danger of accidents Reduced braking efficiency due to the use of non-approved brake linings.

- Brake linings available in accessories stores often have not been tested and approved for use in Husqvarna vehicles. The structure and friction coefficient of the brake linings and thus their brake power may vary greatly from that of original Husqvarna brake linings. If brake linings that differ from the original equipment are used, it cannot be guaranteed that these are in keeping with the original homologation. In this case, the vehicle will not correspond to its condition at delivery and the warranty shall be void.

Warning

Environmental hazard Hazardous substances cause environmental damage.

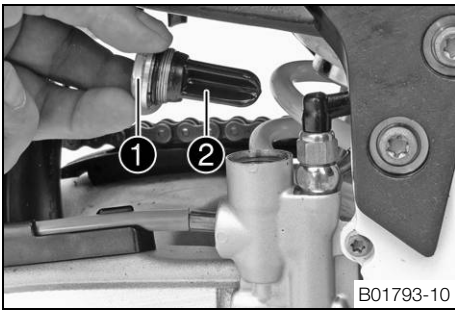
- Oil, grease, filters, fuel, cleaners, brake fluid, etc., should be disposed of as stipulated in applicable regulations.

i Info

Never use DOT 5 brake fluid. It is silicone-based and purple in color. Oil seals and brake lines are not designed for DOT 5 brake fluid.

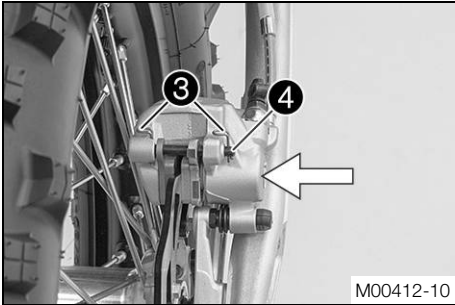
Avoid contact between brake fluid and painted parts. Brake fluid attacks paint!

Use only clean brake fluid from a sealed container.



B01793-10

- Stand the vehicle upright.
- Remove screw cap ① with membrane ② and the O-ring.

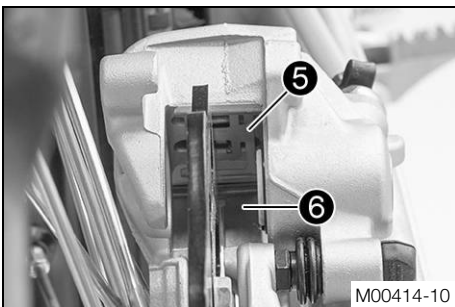


M00412-10

- Press the brake caliper onto the brake disc by hand in order to push back the brake piston and ensure that brake fluid does not flow out of the brake fluid reservoir, extracting it by suction if it does.

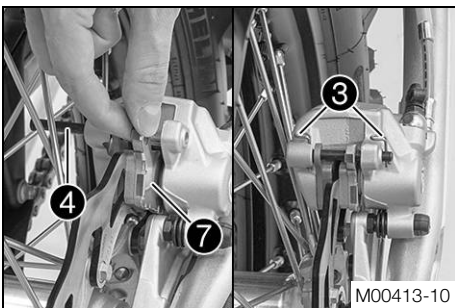
i Info

Ensure that the brake caliper is not pressed against the spokes when pushing back the brake piston.



M00414-10

- Remove cotter pin ③, pull out pin ④ and remove the brake linings.
- Clean the brake caliper and brake caliper support.
- Check that leaf spring ⑤ in the brake caliper and sliding plate ⑥ in the brake caliper support are seated properly.
- ✓ The arrow on the leaf spring points in the rotation direction of the brake disc.



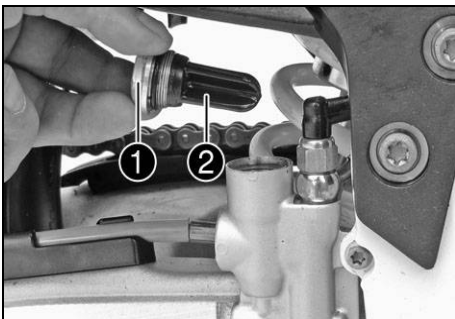
M00413-10

- Insert the new brake linings, insert pin ④, and mount cotter pins ③.

i Info

Always change the brake linings in pairs.
Make sure that decoupling plate ⑦ is mounted on the piston side of the brake lining.

- Operate the foot brake lever repeatedly until the brake linings are in contact with the brake disc and there is a pressure point.



B01794-10

- Add brake fluid to level A.

Brake fluid DOT 4 (☞ p. 109)

- Mount screw cap ① with membrane ② and O-ring.

i Info

Clean up overflowed or spilt brake fluid immediately with water.

14.1 Removing the front wheel



Preparatory work

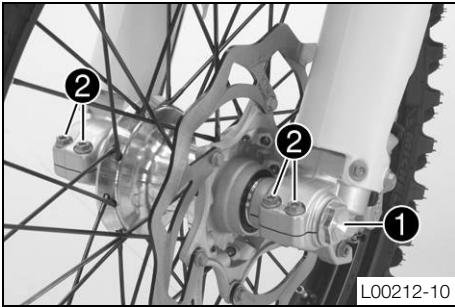
- Raise the motorcycle with a lift stand. (☛ p. 41)

Main work

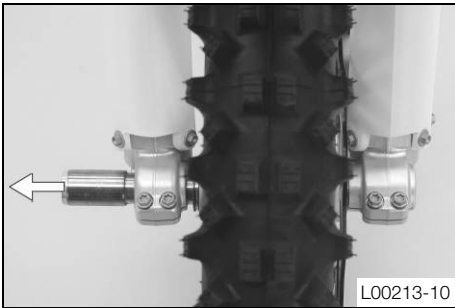
- Press the brake caliper onto the brake disc by hand in order to push back the brake pistons.

i Info

Make sure when pushing back the brake pistons that you do not press the brake caliper against the spokes.



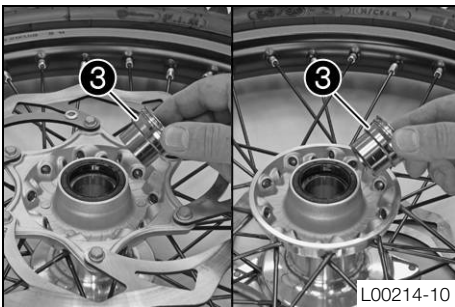
- Loosen screw **1** by several turns.
- Release screws **2**.
- Press on screw **1** to push the wheel spindle out of the axle clamp.
- Remove screw **1**.



- Holding the front wheel, withdraw the wheel spindle. Take the front wheel out of the fork.

i Info

Do not pull the hand brake lever when the front wheel is removed. Always lay the wheel down in such a way that the brake disc is not damaged.



- Remove spacers **3**.

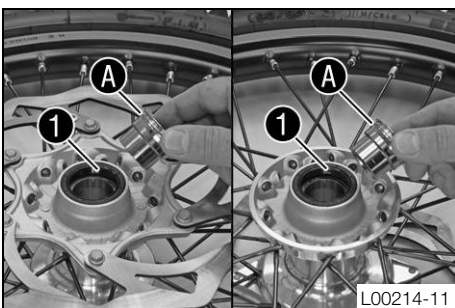
14.2 Installing the front wheel



Warning

Danger of accidents Reduced braking efficiency due to oil or grease on the brake discs.

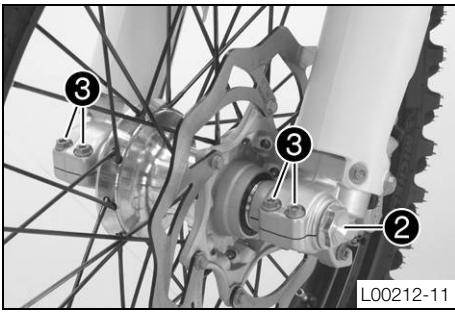
- Always keep the brake discs free of oil and grease, and clean them with brake cleaner when necessary.



- Check the wheel bearing for damage and wear.
 - » If the wheel bearing is damaged or worn:
 - Change the wheel bearing. ☛
- Clean and grease the shaft seal rings **1** and bearing surface **A** of the spacers.

Long-life grease (☛ p. 111)

- Insert the spacers.



- Lift the front wheel into the fork, position it, and insert the wheel spindle.
 - ✓ The brake linings are positioned.
- Mount and tighten screw ②.

Guideline

Screw, front wheel spindle	M24x1.5	45 Nm (33.2 lbf ft)
----------------------------	---------	---------------------

- Activate the hand brake lever multiple times until the brake linings are in contact with the brake disc.
- Remove the motorcycle from the lift stand. (☛ p. 41)
- Pull the front wheel brake and push down hard on the fork several times to align the fork legs.
- Tighten screws ③.

Guideline

Screw, fork stub	M8	15 Nm (11.1 lbf ft)
------------------	----	---------------------

14.3 Removing the rear wheel

Preparatory work

- Raise the motorcycle with a lift stand. (☛ p. 41)

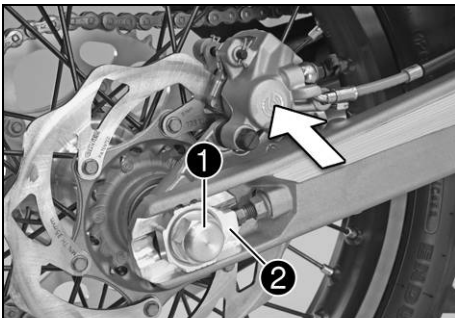
Main work

- Press the brake caliper by hand on to the brake disc in order to press back the brake piston.



Info

Make sure when pushing back the brake piston that you do not press the brake caliper against the spokes.



- Remove nut ①.
- Remove chain adjuster ②. Withdraw wheel spindle ③ only enough to allow the rear wheel to be pushed forward.
- Push the rear wheel forward as far as possible. Remove the chain from the rear sprocket.



Info

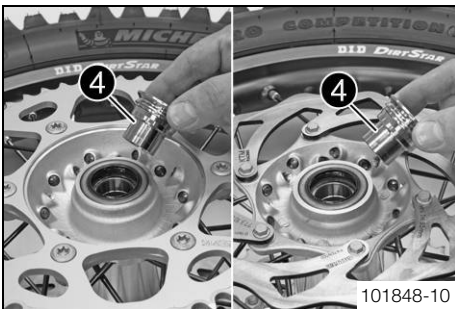
Cover the components to protect them against damage.

- Holding the rear wheel, withdraw the wheel spindle. Take the rear wheel out of the swingarm.



Info

Do not operate the foot brake when the rear wheel is removed. Always lay the wheel down in such a way that the brake disc is not damaged.



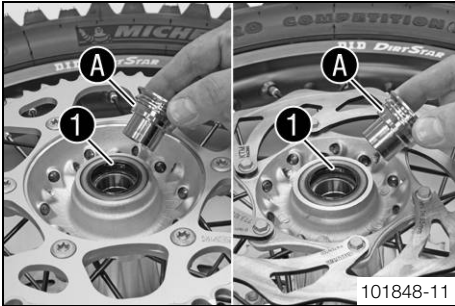
- Remove spacers ④.

14.4 Installing the rear wheel

Warning

Danger of accidents Reduced braking efficiency due to oil or grease on the brake discs.

- Always keep the brake discs free of oil and grease, and clean them with brake cleaner when necessary.

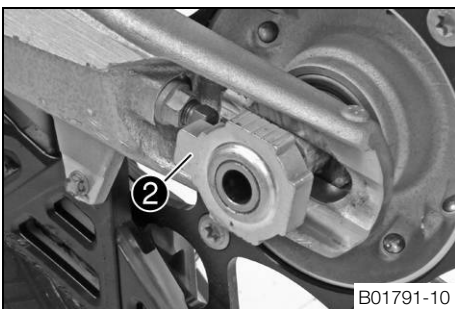


Main work

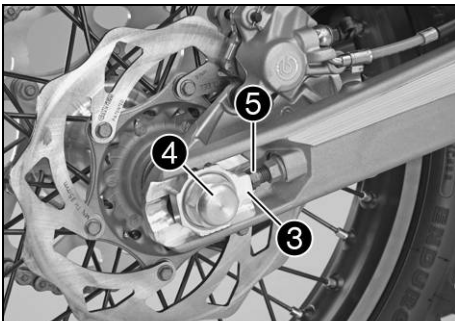
- Check the wheel bearing for damage and wear.
 - » If the wheel bearing is damaged or worn:
 - Change the wheel bearing.
- Clean and grease the shaft seal rings **1** and bearing surface **A** of the spacers.

Long-life grease (☛ p. 111)

- Insert the spacers.



- Lift the rear wheel into the swingarm, position it, and insert wheel spindle **2**.
- Attach the chain.
 - ✓ The brake linings are positioned.



- Position chain adjusters **3**. Mount nut **4**, but do not tighten it yet.
- Make sure that chain adjusters **3** are fitted correctly on adjusting screws **5**.
- Check the chain tension. (☛ p. 59)
- Tighten nut **4**.

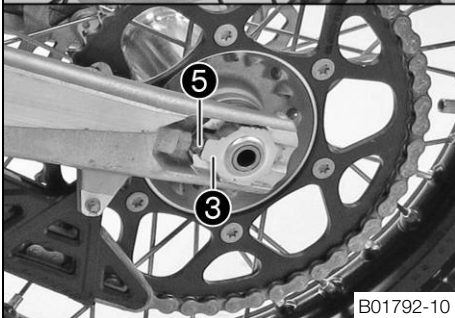
Guideline

Nut, rear wheel spindle	M20x1.5	80 Nm (59 lbf ft)
-------------------------	---------	-------------------

i Info

The wide adjustment range of the chain adjusters (32 mm (1.26 in)) enables different secondary ratios with the same chain length. Chain adjusters **3** can be turned by 180°.

- Operate the foot brake lever repeatedly until the brake linings are in contact with the brake disc and there is a pressure point.



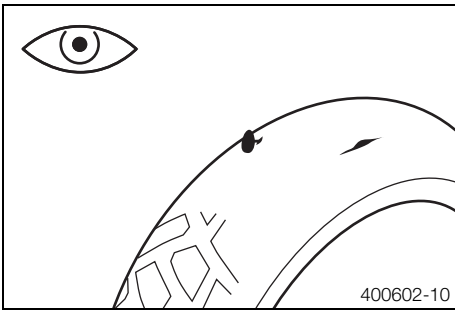
Finishing work

- Remove the motorcycle from the lift stand. (☛ p. 41)

14.5 Checking the tire condition

i Info

Only mount tires approved and/or recommended by Husqvarna. Other tires could have a negative effect on handling characteristics. The type, condition, and air pressure of the tires all have a significant impact on the handling characteristics of the motorcycle. The tires mounted on the front and rear wheels must have a similar profile. Worn tires have a negative effect on handling characteristics, especially on wet surfaces.



- Check the front and rear tires for cuts, run-in objects, and other damage.
 - » If the tire exhibits cuts, run-in objects, or other damage:
 - Change the tire.
- Check the depth of the tread.



Info

Note local national regulations concerning the minimum tread depth.

Minimum tread depth	≥ 2 mm (≥ 0.08 in)
---------------------	--------------------

- » If the tread depth is less than the minimum permissible depth:
 - Change the tire.
- Check the tire age.



Info

The tire's date of manufacture is usually part of the tire markings and is indicated by the last four digits of the **DOT** marking. The first two digits indicate the week of manufacture and the last two digits the year of manufacture. Husqvarna recommends that the tires be changed after 5 years at the latest, regardless of the actual state of wear.

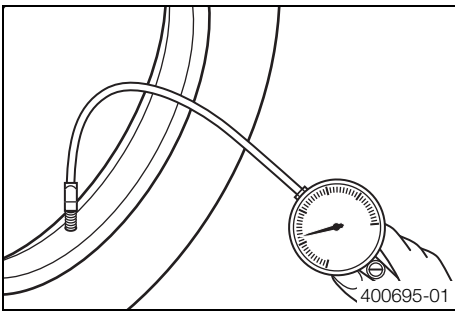
- » If the tire is older than five years:
 - Change the tire.

14.6 Checking the tire air pressure



Info

Low tire air pressure leads to abnormal wear and overheating of the tire. Correct tire air pressure ensures optimal riding comfort and maximum tire service life.



- Remove the protection cap.
- Check the tire air pressure when the tires are cold.

Tire air pressure off road	
Front	1.0 bar (15 psi)
Rear	1.0 bar (15 psi)

Road tire pressure (FE EU/AU)	
Front	1.5 bar (22 psi)
Rear	1.5 bar (22 psi)

- » If the tire air pressure does not meet specifications:
 - Correct the tire air pressure.
- Mount protection cap.

14.7 Checking spoke tension



Warning

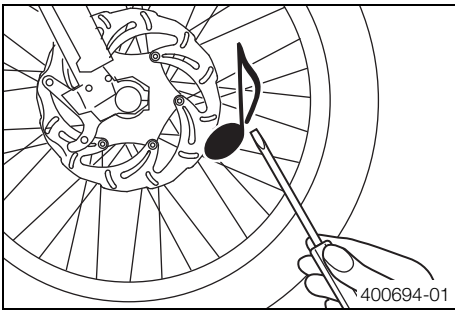
Danger of accidents Instable handling due to incorrect spoke tension.

- Ensure that the spoke tension is correct. (Your authorized Husqvarna workshop will be glad to help.)



Info

A loose spoke can cause wheel imbalance, which leads to more loose spokes in a short time. If the spokes are too tight, they can break due to local overload. Check the spoke tension regularly, especially on a new motorcycle.



- Tap each spoke with a screwdriver.



Info

The sound frequency depends on the length and thickness of the spoke. If there are different sound frequencies in spokes with the same length and thickness, this indicates different spoke tensions.

You should hear a high note.

- » If the spoke tension varies:
 - Correct the spoke tension. 🛠️
- Check the spoke torque.

Guideline

Spoke nipple, front wheel	M4.5	6 Nm (4.4 lbf ft)
Spoke nipple, rear wheel	M4.5	6 Nm (4.4 lbf ft)

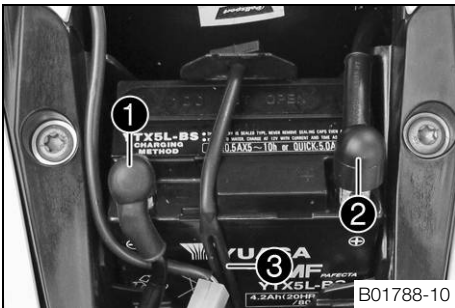
Torque wrench with various accessories in set (58429094000)

15.1 Removing the battery ↴

Warning

Risk of injury Battery acid and battery gases cause serious chemical burns.

- Keep batteries out of the reach of children.
- Wear suitable protective clothing and goggles.
- Avoid contact with battery acid and battery gases.
- Keep sparks and open flames away from the battery. Only charge in well-ventilated rooms.
- In the event of skin contact, rinse with large amounts of water. If battery acid gets in the eyes, rinse with water for at least 15 minutes and contact a physician.



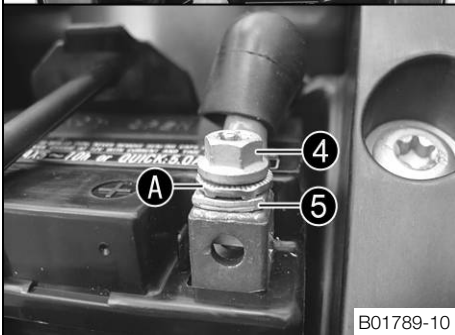
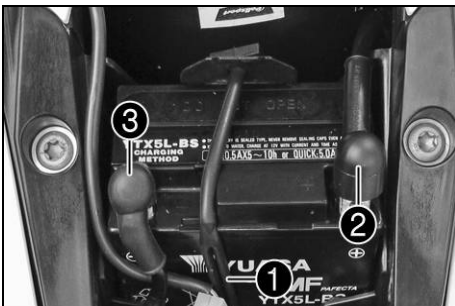
Preparatory work

- Switch off all power consumers and switch off the engine.
- Remove the seat. (↴ p. 49)

Main work

- Pull back the negative terminal cover ① and disconnect the negative cable from the battery.
- Pull back the positive terminal cover ② and disconnect the positive cable from the battery.
- Detach rubber band ③ at the bottom.
- Lift the battery up and out.

15.2 Installing the battery ↴



Main work

- Insert battery into the battery compartment with the terminals facing to the front.

Battery (YTX5L-BS) (↴ p. 106)

- Reconnect rubber band ①.

Info

Contact disk A must be mounted between screw ④ and cable socket ⑤ with the claws facing down.

- Position the positive cable and mount and tighten the screw.

Guideline

Screw, battery terminal	M5	2.5 Nm (1.84 lbf ft)
-------------------------	----	----------------------

- Slide positive terminal cover ② over the positive terminal.

- Position the negative cable and mount and tighten the screw.

Guideline

Screw, battery terminal	M5	2.5 Nm (1.84 lbf ft)
-------------------------	----	----------------------

- Slide negative terminal cover ③ over the negative terminal.

Finishing work

- Mount the seat. (↴ p. 49)

15.3 Charging the battery ↴

- Warning**
Risk of injury Battery acid and battery gases cause serious chemical burns.
- Keep batteries out of the reach of children.
 - Wear suitable protective clothing and goggles.
 - Avoid contact with battery acid and battery gases.
 - Keep sparks and open flames away from the battery. Only charge in well-ventilated rooms.
 - In the event of skin contact, rinse with large amounts of water. If battery acid gets in the eyes, rinse with water for at least 15 minutes and contact a physician.

- Warning**
Environmental hazard Battery components and acid are harmful to the environment.
- Do not dispose of batteries with the household waste. Dispose of a defective battery in an environmentally friendly manner. Give it to your Husqvarna dealer or to a disposal center for used batteries.

- Warning**
Environmental hazard Hazardous substances cause environmental damage.
- Oil, grease, filters, fuel, cleaners, brake fluid, etc., should be disposed of as stipulated in applicable regulations.

i Info
 Even when there is no load on the battery, it still loses power steadily. The charge state and the type of charge are very important for the service life of the battery. Rapid recharging with a high charging current shortens the battery's service life. If the charging current, charging voltage and charging time are exceeded, electrolyte escapes through the safety valves. This reduces the battery capacity. If the battery is depleted from starting the vehicle repeatedly, the battery must be charged immediately. If the battery is left in a discharged state for an extended period, it will become over-discharged and sulfate, destroying the battery. The battery is maintenance-free, which means that the acid level does not need to be checked.

- Preparatory work**
- Switch off all power consumers and switch off the engine.
 - Remove the seat. (↴ p. 49)
 - Disconnect the negative cable of the battery to avoid damage to the onboard electronics.

- Main work**
- Connect the battery charger with the battery. Switch on the battery charger.

Battery charger (81229074000)

You can also use the battery charger to test the open-circuit voltage and starting voltage of the battery, and to test the alternator. With this device, you cannot over-charge the battery.

- i Info**
 Never remove lid ①.
 Charge the battery with a maximum of 10% of the capacity specified on battery housing ②.

- Switch off the battery charger after charging. Connect the negative cable with the battery.

Guideline

The charge current, charge voltage, and charge time must not be exceeded.

Charge the battery regularly when the motorcycle is not in use	3 months
--	----------

- Finishing work**
- Mount the seat. (↴ p. 49)



15.4 Changing the main fuse

Warning

Fire hazard The electrical system can be overloaded if the wrong fuses are used.

- Use only fuses with the prescribed amperage. Never by-pass or repair fuses.

Info

The main fuse protects all power consumers of the vehicle. It is located in the starter relay housing under the air filter box lid.

Preparatory work

- Switch off all power consumers and switch off the engine.
- Remove the air filter box lid. (☛ p. 50)

Main work

- Remove protection caps **1**.
- Remove the faulty main fuse **2**.

Info

A defective fuse can be identified by the burned-out fuse wire **A**.
A reserve fuse **3** is located in the starter relay.

- Install a new main fuse.

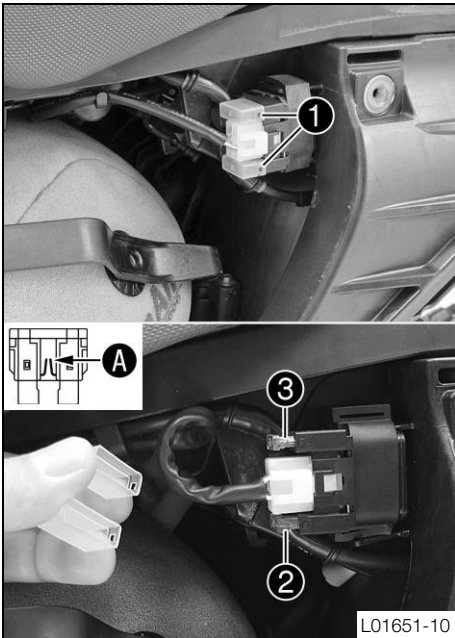
Fuse (58011109120) (☛ p. 106)

- Check that the electrical equipment is functioning properly.

Tip

Insert the spare fuse so that it is available if needed.

- Mount the protection caps.



Finishing work

- Install the air filter box lid. (☛ p. 50)

15.5 Changing the fuses of individual power consumers

Info

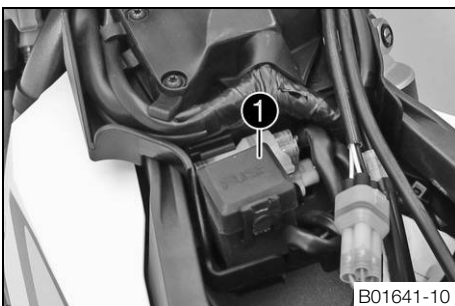
The fuse box containing the fuses of individual power consumers is located under the seat.

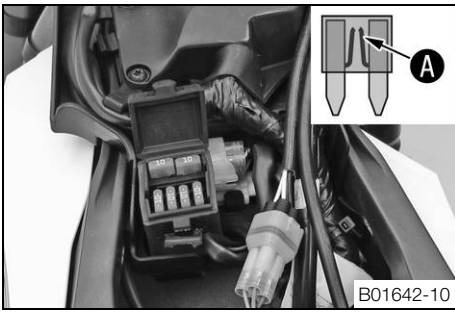
Preparatory work

- Switch off all power consumers and switch off the engine.
- Remove the seat. (☛ p. 49)

Main work

- Open fuse box cover **1**.





- Remove the defective fuse.

Guideline

Fuse 1 - 10 A - EFI control unit
Fuse 2 - 10 A - fuel pump
Fuse 3 - 10 A - high beam, low beam, parking light, tail light, license plate lamp
Fuse 4 - 10 A - horn, brake light, turn signal, radiator fan (optional)
Fuses res - 10 A - spare fuses

Info
A defective fuse can be identified by the burned-out fuse wire **A**.

Warning
Fire hazard The electrical system can be overloaded if the wrong fuses are used.

- Use only fuses with the prescribed amperage. Never by-pass or repair fuses.

- Use spare fuses with the correct rating only.

Fuse (75011088010) (☛ p. 106)

Tip
Replace the spare fuse in the fuse box so that it is available if needed.

- Check that the power consumer is functioning properly.
- Close the fuse box cover.

Finishing work

- Mount the seat. (☛ p. 49)

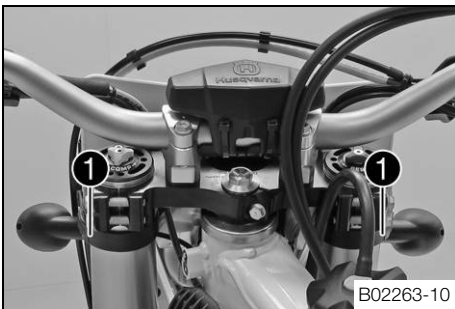
15.6 Removing the headlight mask with the headlight

Preparatory work

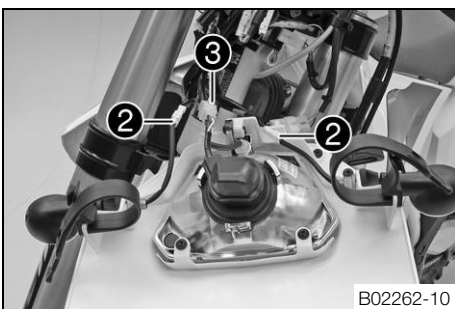
- Switch off all power consumers and switch off the engine.

Main work

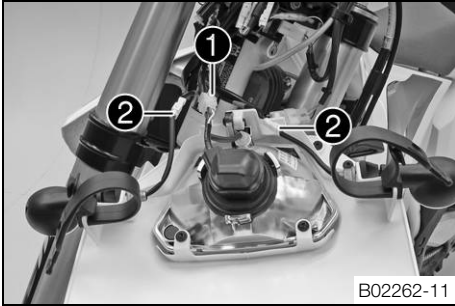
- Take the brake line and wiring harness out of the brake line guide.
- Open rubber bands **1** on the fork legs. Slide the headlight mask up and swing it forward.



- Disconnect plug-in connectors **2** of the turn signals.
- Pull out the electric plug-in connector **3** and remove the headlight mask with the headlight.

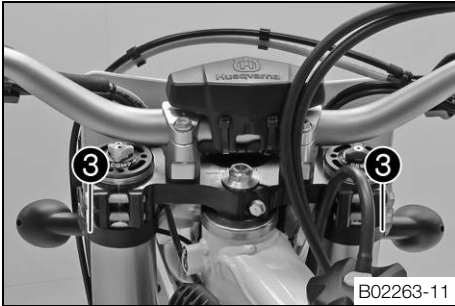


15.7 Installing the headlight mask with the headlight



Main work

- Connect the electrical plug-in connectors ① and ②.



- Position the headlight mask and fix it with rubber straps ③.



Info

Ensure the holding lugs engage in the fender.

- Position the brake line and wiring harness in the brake line guide.

Finishing work

- Check the headlight setting. (☛ p. 85)

15.8 Changing the headlight bulb

Note

Damage to reflector Reduced brightness.

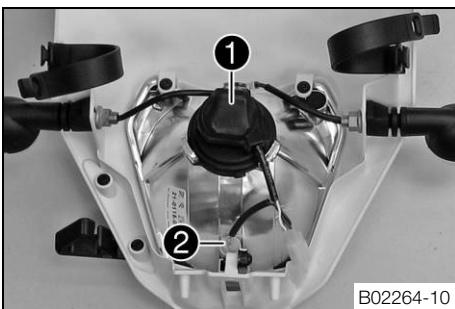
- Grease on the lamp will evaporate due to the heat and be deposited on the reflector. Clean the lamp and keep it free of grease before mounting.

Preparatory work

- Switch off all power consumers and switch off the engine.
- Remove the headlight mask with the headlight. (☛ p. 83)

Main work

- Turn protection cap ① with the bulb socket beneath it all the way counterclockwise and lift it off.
- Pull bulb socket ② of the parking light out of the reflector.



- Pull out headlight bulb ③.

- Insert the new headlight bulb.

Headlight (HS1/socket BX43t) (☛ p. 106)

- Insert the protection cap with the bulb socket into the reflector and turn it all the way clockwise.



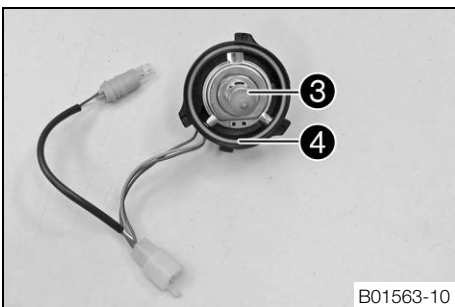
Info

Ensure that O-ring ④ is seated properly.

- Insert the bulb socket of the parking light into the reflector.

Finishing work

- Install the headlight mask with the headlight. (☛ p. 84)
- Check the headlight setting. (☛ p. 85)

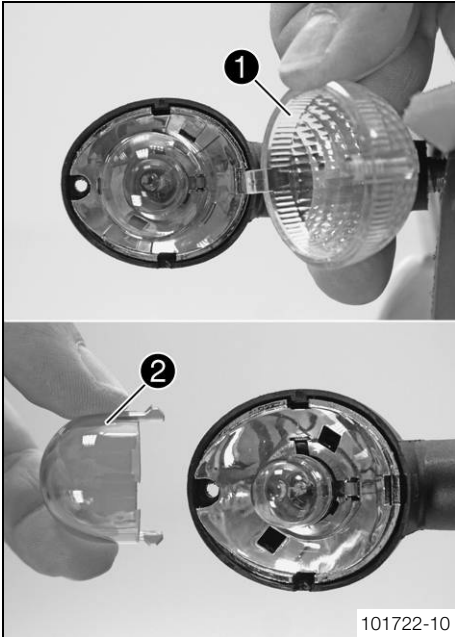


15.9 Changing the turn signal bulb (FE EU/AU)

Note

Damage to reflector Reduced brightness.

- Grease on the lamp will evaporate due to the heat and be deposited on the reflector. Clean the lamp and keep it free of grease before mounting.



Main work

- Remove the screw on the rear of the turn signal housing.
- Carefully remove diffuser ①.
- Lightly squeeze orange cap ② in the area of the holding lugs and take it off.
- Press the turn signal bulb lightly into the socket, turn it counterclockwise by about 30°, and take it out of the socket.

Info

Do not touch the reflector with your fingers, and keep it free from grease.

- Press the new turn signal bulb carefully into the socket and turn it clockwise until it stops.

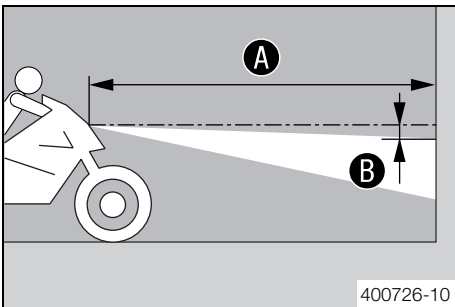
Turn signal (R10W / socket BA15s) (☛ p. 106)
--

- Mount the orange cap.
- Position the diffuser.
- Insert the screw and turn it counterclockwise first until it engages in the thread with a light jerk. Tighten the screw slightly.

Finishing work

- Check that the turn signal system is functioning properly.

15.10 Checking the headlight setting



- Position the vehicle upright on a horizontal surface in front of a light wall and make a mark at the height of the center of the low beam headlight.

- Make another mark a distance ② under the first mark.

Guideline

Distance ②	5 cm (2 in)
------------	-------------

- Position the vehicle vertically a distance ① away from the wall.

Guideline

Distance ①	5 m (16 ft)
------------	-------------

- The rider now sits down on the motorcycle.
- Switch on the low beam.
- Check the headlight setting.

The boundary between light and dark must be exactly on the lower mark for a motorcycle with driver.

» If the light-dark border does not meet specifications:

- Adjust the headlight range. (☛ p. 86)

15.11 Adjusting the headlight range



Preparatory work

- Check the headlight setting. (☛ p. 85)

Main work

- Loosen screw ❶.
- Adjust the headlight range by pivoting the headlight.

Guideline

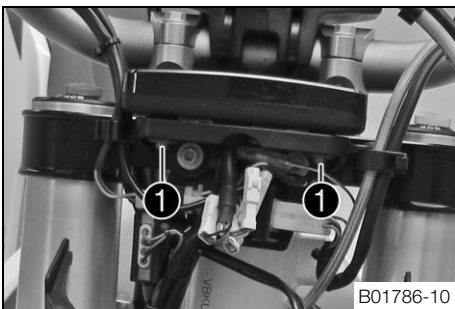
The boundary between light and dark must be exactly on the lower mark for a motorcycle with driver (instructions on how to apply the mark: Checking the headlight setting).

i Info

If you have a payload, you may have to correct the headlight range.

- Tighten screw ❶.

15.12 Changing the speedometer battery

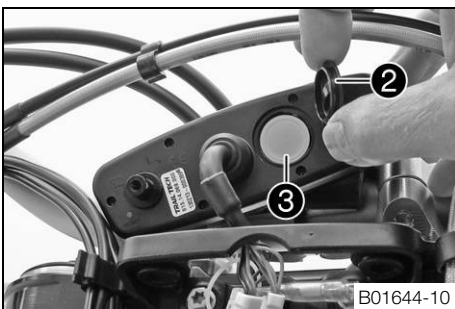


Preparatory work

- Switch off all power consumers and switch off the engine.
- Remove the headlight mask with the headlight. (☛ p. 83)

Main work

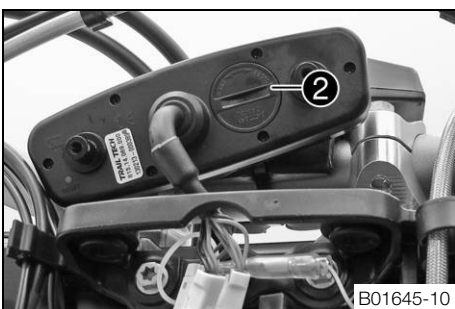
- Remove screws ❶.
- Pull the speedometer upward out of the holder.



- Using a coin, turn protection cap ❷ all the way counterclockwise and remove it.
- Remove speedometer battery ❸.
- Insert the new battery with the label facing outward.

Speedometer battery (CR 2032) (☛ p. 106)

- Check the O-ring of the protection cap for correct seating.

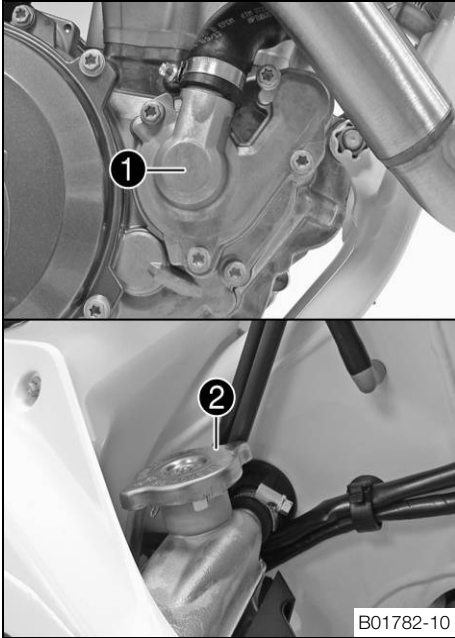


- Position protection cap ❷ and turn all the way clockwise using a coin.
- Press any button on the speedometer.
 - ✓ The speedometer is activated.
- Position the speedometer in the holder.
- Mount and tighten the screws with washers.

Finishing work

- Install the headlight mask with the headlight. (☛ p. 84)
- Check the headlight setting. (☛ p. 85)
- Set the speedometer. (☛ p. 20)

16.1 Cooling system



The water pump **1** in the engine forces the coolant to flow. The pressure resulting from the warming of the cooling system is regulated by a valve in radiator cap **2**. The specified coolant temperature is therefore permissible without the danger of malfunctions.

120 °C (248 °F)

Cooling is effected by the air stream.

The lower the speed, the less the cooling effect. Dirty cooling fins also reduce the cooling effect.

The radiator fan provides extra cooling. It is controlled by a thermostwitch.

16.2 Checking the antifreeze and coolant level



Warning

Danger of scalding During motorcycle operation, the coolant gets very hot and is under pressure.

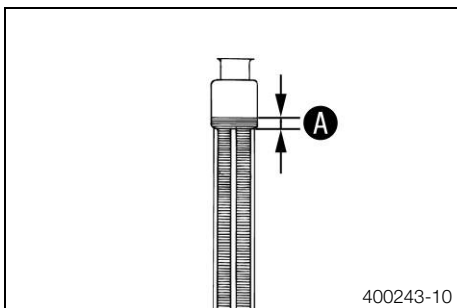
- Do not remove the radiator cap, radiator hoses or other cooling system components when the engine is hot. Allow the engine and cooling system to cool down. In case of scalding, rinse immediately with lukewarm water.



Warning

Danger of poisoning Coolant is poisonous and a health hazard.

- Coolant must not come into contact with the skin, eyes, or clothing. If contact occurs with the eyes, rinse with water immediately and contact a physician. Immediately clean contaminated areas on the skin with soap and water. If coolant is swallowed, contact a physician immediately. Change clothing that is contaminated with coolant. Keep coolant out of reach of children.



Condition

The engine is cold.

- Stand the motorcycle upright on a horizontal surface.
- Remove the radiator cap.
- Check antifreeze of coolant.

-25... -45 °C (-13... -49 °F)

» If the antifreeze of the coolant does not meet specifications:

- Correct the antifreeze of the coolant.

- Check the coolant level in the radiator.

Coolant level **A** above radiator fins. 10 mm (0.39 in)

» If the coolant level does not meet specifications:

- Correct the coolant level.

Alternative 1

Coolant (☛ p. 109)

Alternative 2

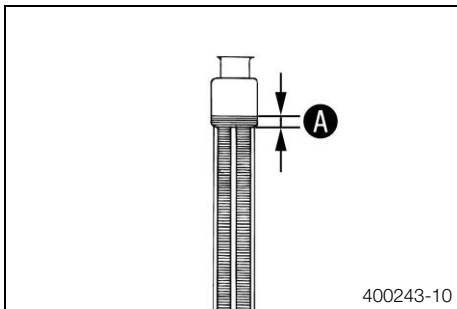
Coolant (mixed ready to use) (☛ p. 109)

- Mount the radiator cap.

16.3 Checking the coolant level

- Warning**
Danger of scalding During motorcycle operation, the coolant gets very hot and is under pressure.
- Do not remove the radiator cap, radiator hoses or other cooling system components when the engine is hot. Allow the engine and cooling system to cool down. In case of scalding, rinse immediately with lukewarm water.

- Warning**
Danger of poisoning Coolant is poisonous and a health hazard.
- Coolant must not come into contact with the skin, eyes, or clothing. If contact occurs with the eyes, rinse with water immediately and contact a physician. Immediately clean contaminated areas on the skin with soap and water. If coolant is swallowed, contact a physician immediately. Change clothing that is contaminated with coolant. Keep coolant out of reach of children.



Condition

The engine is cold.

- Stand the motorcycle upright on a horizontal surface.
- Remove the radiator cap.
- Check the coolant level in the radiator.

Coolant level A above radiator fins.	10 mm (0.39 in)
---	-----------------

- » If the coolant level does not meet specifications:
 - Correct the coolant level.

Alternative 1

Coolant (☛ p. 109)

Alternative 2

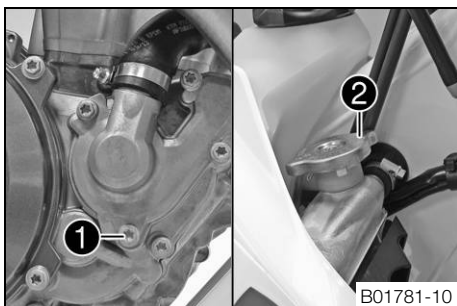
Coolant (mixed ready to use) (☛ p. 109)

- Mount the radiator cap.

16.4 Draining the coolant ☛

- Warning**
Danger of scalding During motorcycle operation, the coolant gets very hot and is under pressure.
- Do not remove the radiator cap, radiator hoses or other cooling system components when the engine is hot. Allow the engine and cooling system to cool down. In case of scalding, rinse immediately with lukewarm water.

- Warning**
Danger of poisoning Coolant is poisonous and a health hazard.
- Coolant must not come into contact with the skin, eyes, or clothing. If contact occurs with the eyes, rinse with water immediately and contact a physician. Immediately clean contaminated areas on the skin with soap and water. If coolant is swallowed, contact a physician immediately. Change clothing that is contaminated with coolant. Keep coolant out of reach of children.



Condition

The engine is cold.

- Position the motorcycle upright.
- Place a suitable container under the water pump cover.
- Remove screw **1**. Take off radiator cap **2**.
- Completely drain the coolant.
- Mount and tighten screw **1** with a new seal ring.

Guideline

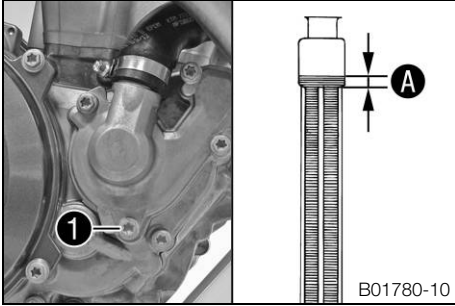
Screw, water pump cover	M6	10 Nm (7.4 lbf ft)
-------------------------	----	--------------------

16.5 Refilling coolant ↩

Warning

Danger of poisoning Coolant is poisonous and a health hazard.

- Coolant must not come into contact with the skin, eyes, or clothing. If contact occurs with the eyes, rinse with water immediately and contact a physician. Immediately clean contaminated areas on the skin with soap and water. If coolant is swallowed, contact a physician immediately. Change clothing that is contaminated with coolant. Keep coolant out of reach of children.



Main work

- Make sure that the screw ① is tightened.
- Stand the vehicle upright.
- Pour coolant in up to measurement A above the radiator fins.

Guideline

10 mm (0.39 in)

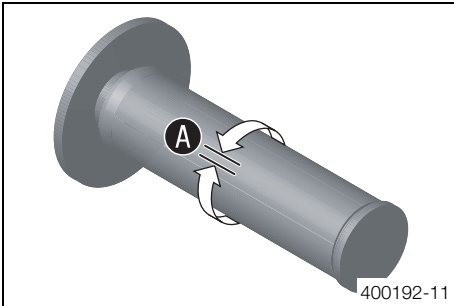
Coolant	1.2 l (1.3 qt.)	Coolant (mixed ready to use) (☛ p. 109)
		Coolant (☛ p. 109)

- Refit the radiator cap.

Finishing work

- Take a short test ride.
- Check the coolant level. (☛ p. 88)

17.1 Checking the play in the throttle cable



- Check the throttle grip for smooth operation.
- Move the handlebar to the straight-ahead position. Move the throttle grip back and forth slightly to ascertain play **A** in the throttle cable.

Play in throttle cable	3... 5 mm (0.12... 0.2 in)
------------------------	----------------------------

- » If the throttle cable play does not meet specifications:
 - Adjust the play in the throttle cable. ↗ (☞ p. 90)



Danger

Danger of poisoning Exhaust gases are toxic and inhaling them may result in unconsciousness and/or death.

- When running the engine, always make sure there is sufficient ventilation, and do not start or run the engine in an enclosed space without an effective exhaust extraction system.

- Start the engine and let it run idle. Move the handlebar to and fro over the entire steering range.

The idle speed must not change.

- » If the idle speed changes:
 - Adjust the play in the throttle cable. ↗ (☞ p. 90)

17.2 Adjusting the play in the throttle cable ↗

Preparatory work

- Remove the seat. (☞ p. 49)
- Remove the fuel tank. ↗ (☞ p. 56)
- Check the routing of the throttle cable. (☞ p. 63)

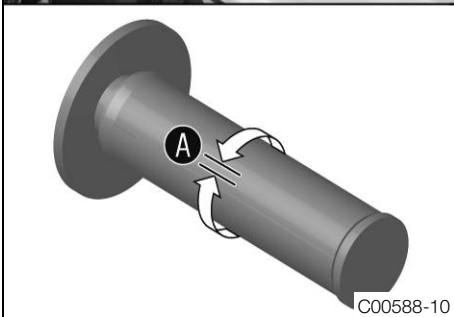
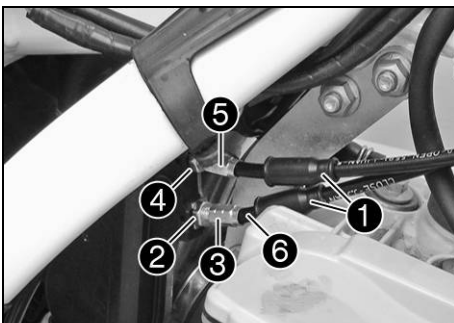
Main work

- Move the handlebar to the straight-ahead position.
- Push back sleeves **1**.
- Loosen nut **2**. Turn adjusting screw **3** in as far as possible.
- Loosen nut **4**. Turn adjusting screw **5** so that there is play **A** in the throttle cable at the throttle grip.

Guideline

Play in throttle cable	3... 5 mm (0.12... 0.2 in)
------------------------	----------------------------

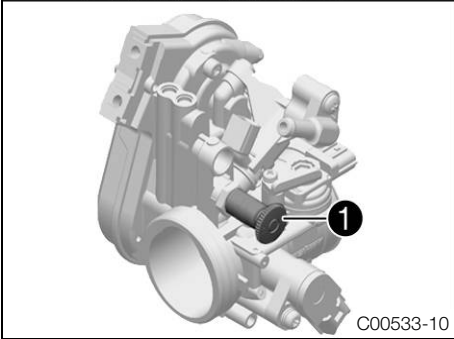
- Tighten nut **4**.
- Press and hold the throttle grip in the closed setting. Turn adjusting screw **3** out until there is no play in throttle cable **6**.
- Tighten nut **2**.
- Push sleeves **1** on. Check the throttle grip for smooth operation.



Finishing work

- Install the fuel tank. ↗ (☞ p. 58)
- Mount the seat. (☞ p. 49)
- Check the play in the throttle cable. (☞ p. 90)

17.3 Adjusting the idle speed ↩



- Run the engine warm and push the idle speed adjusting screw ❶ all the way in.
- Set the desired idle speed by turning the idle speed adjusting screw.

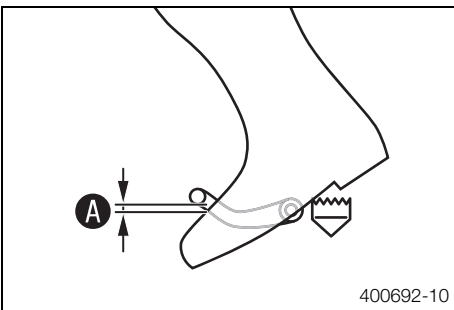
Guideline

Idle speed	1,950... 2,050 rpm
------------	--------------------

i Info

Turn counterclockwise to increase the idle speed.
Turn clockwise to decrease the idle speed.

17.4 Checking the basic position of the shift lever

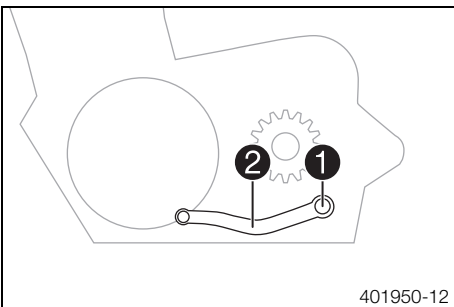


- Sit on the vehicle in the riding position and determine the distance ❶ between the upper edge of your boot and the shift lever.

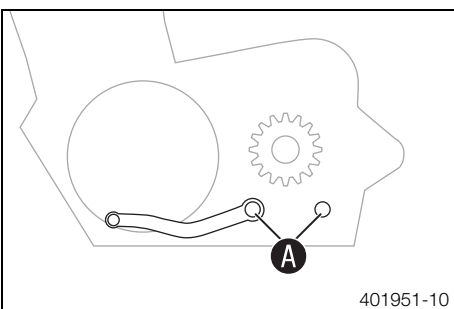
Gap between the shift lever and the top of the boot	10... 20 mm (0.39... 0.79 in)
---	-------------------------------

- » If the distance does not meet the specifications:
 - Adjust the basic position of the shift lever. ↩ (p. 91)

17.5 Adjusting the basic position of the shift lever ↩



- Remove screw ❶ and take off shift lever ❷.



- Clean gear teeth ❶ of the shift lever and shift shaft.
- Mount the shift lever on the shift shaft in the required position and engage the gearing.

i Info

The range of adjustment is limited.
The shift lever must not come into contact with any other vehicle components during the shift procedure.

- Mount and tighten the screw.

Guideline

Screw, shift lever	M6	14 Nm (10.3 lbf ft)	Loctite® 243™
--------------------	----	------------------------	----------------------

18.1 Changing the fuel screen ↩



Danger

Fire hazard Fuel is highly flammable.

- Never refuel the vehicle near open flames or burning cigarettes, and always switch off the engine first. Be careful that no fuel is spilt, especially on hot vehicle components. Clean up spilt fuel immediately.
- The fuel in the fuel tank expands when warm and may emerge if overfilled. Follow the instructions on refueling.



Warning

Danger of poisoning Fuel is poisonous and a health hazard.

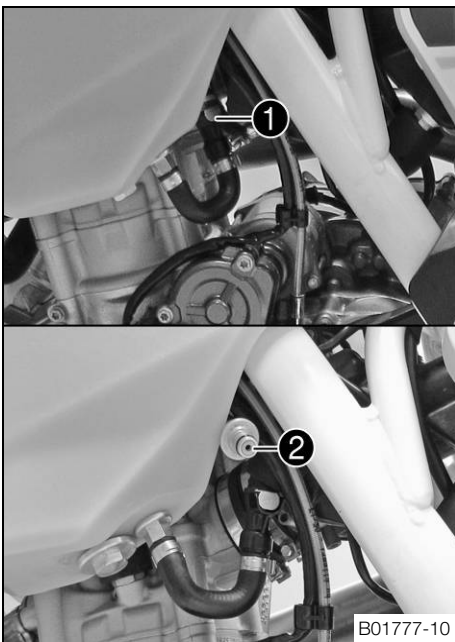
- Fuel must not come into contact with the skin, eyes, or clothing. Do not breathe in the fuel vapors. If contact occurs with the eyes, rinse with water immediately and contact a physician. Immediately clean contaminated areas on the skin with soap and water. If fuel is swallowed, contact a physician immediately. Change clothing that is contaminated with fuel.



Warning

Environmental hazard Improper handling of fuel is a danger to the environment.

- Do not allow fuel to get into the ground water, the ground, or the sewage system.



- Clean the plug-in connection **1** of the fuel line thoroughly with compressed air.



Info

Under no circumstances should dirt enter into the fuel line. Dirt in the fuel line clogs the injection valve.

- Disconnect the plug-in connection of the fuel line.
- Pull fuel screen **2** out of the connecting piece.
- Insert the new fuel screen all the way into the connecting piece.
- Lubricate the O-ring and connect plug-in connection of the fuel line.



Danger

Danger of poisoning Exhaust gases are toxic and inhaling them may result in unconsciousness and/or death.

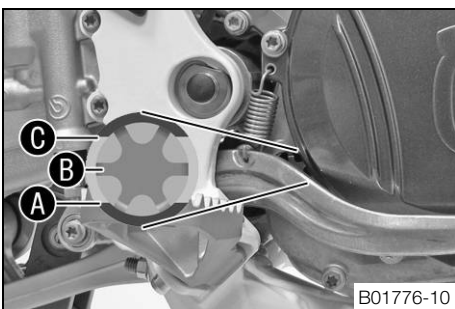
- When running the engine, always make sure there is sufficient ventilation, and do not start or run the engine in an enclosed space without an effective exhaust extraction system.
- Start the motor and check the response.

18.2 Checking the engine oil level



Info

The engine oil level can be checked when the engine is cold or warm.



Preparatory work

- Stand the motorcycle upright on a horizontal surface.

Condition

The engine is cold.

- Check the engine oil level.

The engine oil is at a level between the lower edge **A** and the middle **B** of the level viewer.

- » If the engine oil is not up to the lower edge **A** of the level viewer:
 - Add engine oil. (☛ p. 95)

Condition

The engine is at operating temperature.

- Check the engine oil level.



Info

After switching off the engine, wait one minute before checking the level.

The engine oil is at a level between the lower edge **A** and the upper edge **C** of the level viewer.

- » If the engine oil is not up to the lower edge **A** of the level viewer:
 - Add engine oil. (🔧 p. 95)

18.3 Changing the engine oil and oil filter, cleaning the oil screen 🛠️

⚠️ Warning

Danger of scalding Engine oil and gear oil get very hot when the motorcycle is ridden.

- Wear appropriate protective clothing and safety gloves. In case of burns, rinse immediately with lukewarm water.

🌿 Warning

Environmental hazard Hazardous substances cause environmental damage.

- Oil, grease, filters, fuel, cleaners, brake fluid, etc., should be disposed of as stipulated in applicable regulations.

📄 Info

Drain the engine oil only when the engine is warm.

Preparatory work

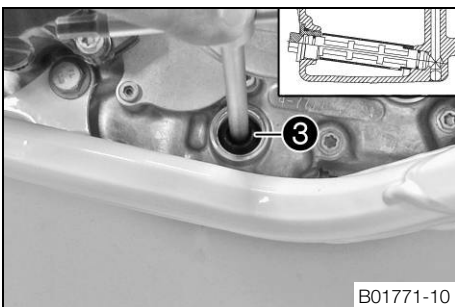
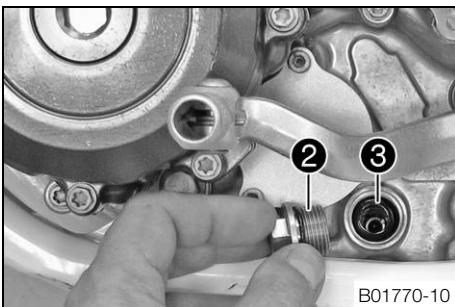
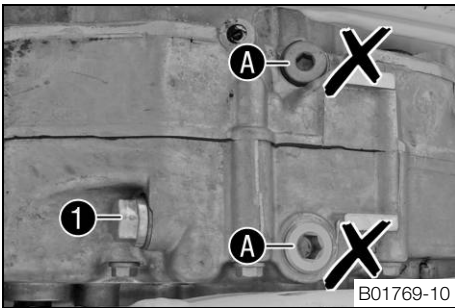
- Park the motorcycle on a level surface.
- Remove the engine guard. (🔧 p. 65)

Main work

- Place a suitable container under the engine.
- Remove oil drain plug **1** with the magnet and seal ring.

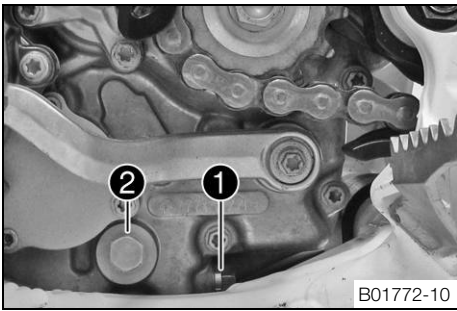
📄 Info

Do not remove screws **A** on both sides.



- Remove plug **2** with oil screen **3** and the O-rings.
- Completely drain the engine oil.
- Thoroughly clean the parts and sealing surfaces.

- Position oil screen **3** with the O-rings on a pin wrench.
- Insert the pin wrench through the drill hole of the screw plug and into the engine case on the opposite side.
- Push the oil screen all the way into the engine case.



- Mount and tighten screw plug **2** with the O-ring.

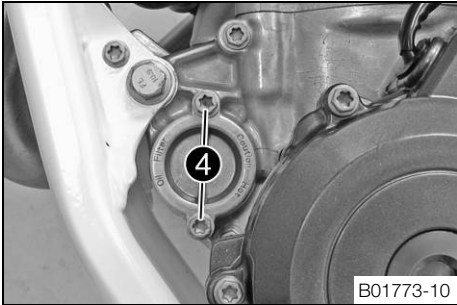
Guideline

Screw plug, oil screen	M20x1.5	15 Nm (11.1 lbf ft)
------------------------	---------	---------------------

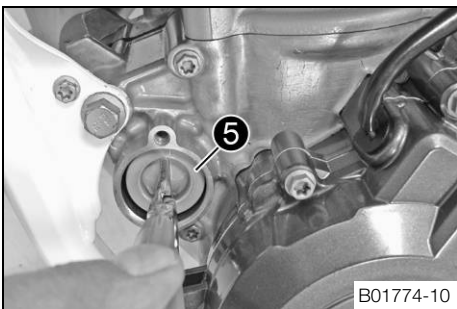
- Mount and tighten the oil drain plug **1** with the magnet and a new seal ring.

Guideline

Oil drain plug with magnet	M12x1.5	20 Nm (14.8 lbf ft)
----------------------------	---------	---------------------



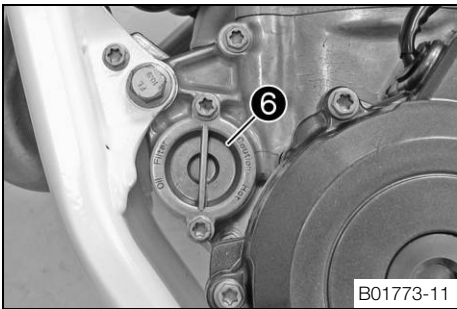
- Remove screws **4**. Remove the oil filter cover with the O-ring.



- Pull oil filter **5** out of the oil filter housing.

Circlip pliers reverse (51012011000)

- Completely drain the engine oil.
- Thoroughly clean the parts and sealing area.

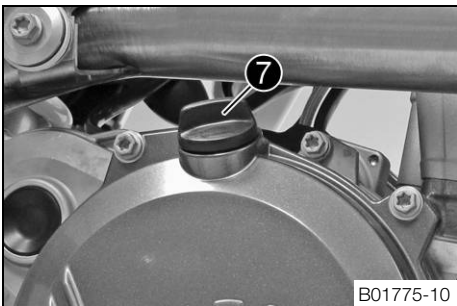


- Lay the motorcycle on its side and fill the oil filter housing to about 1/3 full with engine oil.
- Fill the oil filter with engine oil and place it in the oil filter housing.
- Oil the O-ring of the oil filter cover and mount it with the oil filter cover **6**.
- Mount and tighten the screws.

Guideline

Screw, oil filter cover	M6	10 Nm (7.4 lbf ft)
-------------------------	----	--------------------

- Stand the motorcycle upright.



- Remove the oil filler plug **7** with the O-ring from the clutch cover and fill up with engine oil.

Engine oil	1.20 l (1.27 qt.)	Engine oil (SAE 10W/50) (☛ p. 109)
------------	-------------------	------------------------------------



Info

Too little engine oil or poor-quality engine oil results in premature wear to the engine.

- Install and tighten the oil filler plug with O-ring.



Danger

Danger of poisoning Exhaust gases are toxic and inhaling them may result in unconsciousness and/or death.

- When running the engine, always make sure there is sufficient ventilation, and do not start or run the engine in an enclosed space without an effective exhaust extraction system.

- Start the engine and check that it is oil-tight.

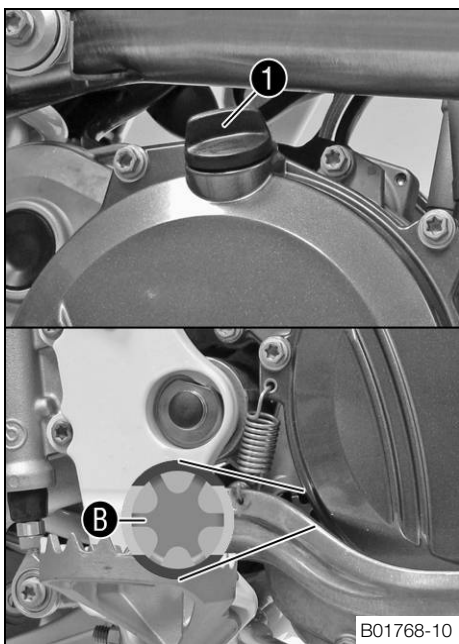
Finishing work

- Check the engine oil level. (☛ p. 92)
- Install the engine guard. (☛ p. 65)

18.4 Adding engine oil

**Info**

Too little engine oil or poor-quality engine oil results in premature wear to the engine.

**Main work**

- Remove the oil filler plug **1** with the O-ring from the clutch cover.
- Fill engine oil to the middle **B** of the level viewer.

Engine oil (SAE 10W/50) (☛ p. 109)

**Info**

For optimal performance of the engine oil, do not mix different types of engine oil.
If appropriate, change the engine oil.

- Install and tighten the oil filler plug with O-ring.

**Danger**

Danger of poisoning Exhaust gases are toxic and inhaling them may result in unconsciousness and/or death.

- When running the engine, always make sure there is sufficient ventilation, and do not start or run the engine in an enclosed space without an effective exhaust extraction system.

- Start the engine and check that it is oil-tight.

Finishing work

- Check the engine oil level. (☛ p. 92)

19.1 Cleaning the motorcycle

Note

Material damage Damage and destruction of components by high-pressure cleaning equipment.

- When cleaning the vehicle with a pressure cleaner, do not point the water jet directly onto electrical components, connectors, cables, bearings, etc. Maintain a minimum distance of 60 cm between the nozzle of the pressure cleaner and the component. Excessive pressure can cause malfunctions or destroy these parts.

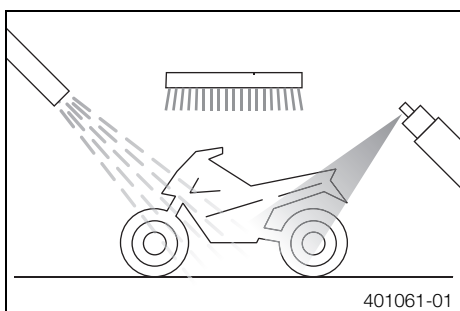
Warning

Environmental hazard Hazardous substances cause environmental damage.

- Oil, grease, filters, fuel, cleaners, brake fluid, etc., should be disposed of as stipulated in applicable regulations.

Info

If you clean the motorcycle regularly, its value and appearance will be maintained over a long period. Avoid direct sunshine on the motorcycle during cleaning.



- Close off the exhaust system to prevent water from entering.
- Remove coarse dirt particles with a gentle spray of water.
- Spray very dirty areas with a normal motorcycle cleaner and then clean with a paint-brush.

Info

Use warm water containing normal motorcycle cleaner and a soft sponge. Never apply motorcycle cleaner to a dry vehicle; always rinse the vehicle with water first.

- After rinsing the motorcycle with a gentle spray of water, allow it to dry thoroughly.
- Remove the closure of the exhaust system.

Warning

Danger of accidents Reduced braking efficiency due to a wet or dirty brake system.

- Clean or dry a dirty or wet brake system by riding and braking gently.

- After cleaning, ride a short distance until the engine reaches operating temperature.

Info

The heat produced causes water at inaccessible locations in the engine and on the brake system to evaporate.

- After the motorcycle has cooled off, lubricate all moving parts and bearings.
- Clean the chain. (☛ p. 59)
- Treat bare metal parts (except for brake discs and exhaust system) with anti-corrosion materials.

Preserving materials for paints, metal and rubber (☛ p. 111)

- Treat all plastic parts and powder-coated parts with a mild cleaning and care product.

(FE EU/AU)

- Lubricate the steering lock.

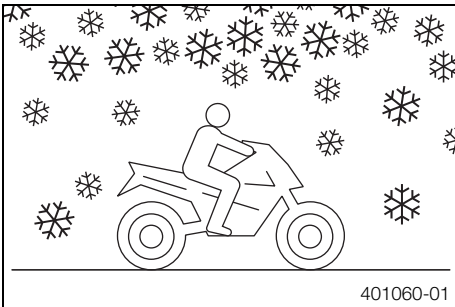
Universal oil spray (☛ p. 111)

19.2 Checks and maintenance steps for winter operation

i Info

If the motorcycle is used in the winter, salt can be expected on the roads. Precautions need to be taken against road salt corrosion.

If the vehicle was operated in road salt, clean it with cold water after riding. Warm water would enhance the corrosive effects of salt.



401060-01

- Clean the motorcycle. (☛ p. 96)
- Clean the brake system.

i Info

After **EVERY** trip on salted roads, thoroughly wash the brake calipers and brake linings with cold water and dry carefully. This should be done after the parts are cooled down and while they are installed.

After riding on salted roads, thoroughly wash the motorcycle with cold water and dry it well.

- Treat the engine, swingarm, and all other bright and zinc-plated parts (except for the brake discs) with a wax-based corrosion inhibitor.

i Info

Corrosion inhibitor is not permitted to come in contact with the brake discs as this would greatly reduce the braking force.

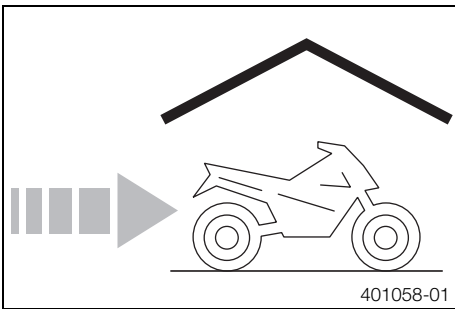
- Clean the chain. (☛ p. 59)

20.1 Storage

Warning
Danger of poisoning Fuel is poisonous and a health hazard.

- Fuel must not come into contact with the skin, eyes, or clothing. Do not breathe in the fuel vapors. If contact occurs with the eyes, rinse with water immediately and contact a physician. Immediately clean contaminated areas on the skin with soap and water. If fuel is swallowed, contact a physician immediately. Change clothing that is contaminated with fuel. Store fuel properly in a suitable canister and keep away from children.

Info
 If you want to garage the motorcycle for a longer period, take the following steps. Before storing the motorcycle, check all parts for function and wear. If service, repairs or replacements are necessary, you should do this during the storage period (less workshop overload). In this way, you can avoid long workshop waiting times at the start of the new season.



- When refueling for the last time before taking the motorcycle out of service, add fuel additive.
- Refuel. (☛ p. 31)
- Clean the motorcycle. (☛ p. 96)
- Change the engine oil and oil filter, clean the oil screen. 🛠️ (☛ p. 93)
- Check the antifreeze and coolant level. (☛ p. 87)
- Check the tire air pressure. (☛ p. 78)
- Remove the battery. 🛠️ (☛ p. 80)
- Charge the battery. 🛠️ (☛ p. 81)

Guideline

Storage temperature of battery without direct sunlight	0... 35 °C (32... 95 °F)
--	--------------------------

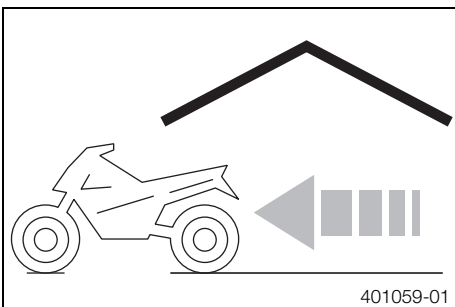
- Store the vehicle in a dry location that is not subject to large fluctuations in temperature.

Info
 Husqvarna recommends raising the motorcycle.

- Raise the motorcycle with a lift stand. (☛ p. 41)
- Cover the motorcycle with a porous sheet or blanket. Do not use non-porous materials since they prevent humidity from escaping, thus causing corrosion.

Info
 Avoid running the engine for a short time only. Since the engine cannot warm up properly, the water vapor produced during combustion condenses and causes valves and exhaust system to rust.











20.2 Preparing for use after storage




- Remove the motorcycle from the lift stand. (☛ p. 41)
- Install the battery. 🛠️ (☛ p. 80)
- Perform checks and maintenance work when preparing the vehicle for use. (☛ p. 28)
- Take a test ride.

Faults	Possible cause	Action
The engine cannot be cranked (electric starter)	Operating error	– Carry out the start procedure. (☛ p. 28)
	Battery is discharged	– Charge the battery. ☛ (☛ p. 81) – Check the charging voltage. ☛ – Check the closed current. ☛ – Check the stator winding of the alternator. ☛
	Main fuse blown	– Change the main fuse. (☛ p. 82)
	Starter relay defective	– Check the starter relay. ☛
	Starter motor defective	– Check the starter motor. ☛
Engine turns but does not start	Operating error	– Carry out the start procedure. (☛ p. 28)
	Coupling of fuel hose connection not joined together	– Join the fuel hose connection.
	Fuse 1 blown	– Change the fuses of individual power consumers. (☛ p. 82)
	Fuse 2 blown	– Change the fuses of individual power consumers. (☛ p. 82)
	Idle speed is not set correctly	– Adjust the idle speed. ☛ (☛ p. 91)
	Spark plug oily or wet	– Clean and dry the spark plug or replace if necessary.
	Electrode distance (plug gap) of spark plug too wide	– Adjust the plug gap. Guideline Spark plug electrode gap 1.0 mm (0.039 in)
	Ignition system defective	– Check the ignition system. ☛
	Short-circuit cable in wiring harness frayed, kill switch or emergency OFF switch defective	– Check the wiring harness. (visual check) – Check the electrical system.
Defect in fuel injection system	– Read out the fault memory using the Husqvarna diagnostics tool. ☛	
Engine does not speed up	Defect in fuel injection system	– Read out the fault memory using the Husqvarna diagnostics tool. ☛
	Ignition system defective	– Ignition coil - check the secondary winding. ☛ – Check the spark plug connector. ☛ – Check the stator winding of the alternator. ☛
Engine has too little power	Air filter heavily contaminated	– Clean the air filter and air filter box. ☛ (☛ p. 51)
	Fuel filter is very dirty	– Change the fuel filter. ☛
	Fuel screen is very dirty	– Change the fuel screen. ☛ (☛ p. 92)
	Defect in fuel injection system	– Read out the fault memory using the Husqvarna diagnostics tool. ☛
	Exhaust system leaky, deformed or too little glass fiber yarn filling in main silencer	– Check exhaust system for damage. – Change the glass fiber yarn filling of the main silencer. ☛ (☛ p. 55)
	Valve clearance too little	– Adjust the valve clearance. ☛
	Ignition system defective	– Ignition coil - check the secondary winding. ☛ – Check the spark plug connector. ☛ – Check the stator winding of the alternator. ☛
Engine dies during the trip	Lack of fuel	– Refuel. (☛ p. 31)
	Fuse 1 blown	– Change the fuses of individual power consumers. (☛ p. 82)
	Fuse 2 blown	– Change the fuses of individual power consumers. (☛ p. 82)
Engine overheats	Coolant level low in cooling system	– Check the cooling system for leaks. – Check the coolant level. (☛ p. 88)
	Insufficient airflow	– Switch off engine when stationary.
	Radiator fins very dirty	– Clean radiator fins.

Faults	Possible cause	Action
Engine overheats	Foam formation in cooling system	<ul style="list-style-type: none"> – Drain the coolant. 🛠️ (📖 p. 88) – Refill the coolant. 🛠️ (📖 p. 89)
	Bent radiator hose	– Change the radiator hose. 🛠️
	Thermostat defective	<ul style="list-style-type: none"> – Check the thermostat. 🛠️ <p>Guideline Opening temperature: 70 °C (158 °F)</p>
	Defect in radiator fan system	<ul style="list-style-type: none"> – Check the radiator fan fuse. – Check fuse 4. – Check the radiator fan. 🛠️
FI warning lamp (MIL) lights up/flashes	Defect in fuel injection system	<ul style="list-style-type: none"> – Stop the motorcycle and identify the faulty part using the blink code. <hr/> <p>i Info See blink code</p> <hr/> <ul style="list-style-type: none"> – Check the cabling for damage and the electrical plug-in connectors for corrosion and damage. – Read out the fault memory using the Husqvarna diagnostics tool. 🛠️
High oil consumption	Engine vent hose bent	– Route the vent hose without bends or replace it if necessary.
	Engine oil level too high	– Check the engine oil level. (📖 p. 92)
	Engine oil too thin (low viscosity)	– Change the engine oil and oil filter, clean the oil screen. 🛠️ (📖 p. 93)
	Piston and cylinder worn	– Measure the piston/cylinder mounting clearance. 🛠️
Battery discharged	Battery is not being charged by alternator	<ul style="list-style-type: none"> – Check the charging voltage. 🛠️ – Check the stator winding of the alternator. 🛠️
	Undesired power consumer	– Check the closed current. 🛠️
Speedometer values deleted (time, stop watch, lap times)	The battery in the speedometer is discharged	– Change the speedometer battery. (📖 p. 86)
The high beam, low beam, parking light, tail light, and license plate lamp are not working	Fuse 3 blown	– Change the fuses of individual power consumers. (📖 p. 82)
The speedometer, horn, brake light, turn signal, and radiator fan are not working	Fuse 4 blown	– Change the fuses of individual power consumers. (📖 p. 82)

Blink code FI warning lamp (MIL)	 02 FI warning lamp (MIL) flashes 2x short
Error level condition	Crankshaft position sensor - circuit fault
Blink code FI warning lamp (MIL)	 06 FI warning lamp (MIL) flashes 6x short
Error level condition	Throttle position sensor circuit A - input signal too low Throttle position sensor circuit A - input signal too high
Blink code FI warning lamp (MIL)	 09 FI warning lamp (MIL) flashes 9x short
Error level condition	Manifold absolute pressure sensor cylinder 1 - input signal too low Manifold absolute pressure sensor cylinder 1 - input signal too high
Blink code FI warning lamp (MIL)	 12 FI warning lamp (MIL) flashes 1x long, 2x short
Error level condition	Engine coolant temperature sensor - input signal too low Engine coolant temperature sensor - input signal too high
Blink code FI warning lamp (MIL)	 13 FI warning lamp (MIL) flashes 1x long, 3x short
Error level condition	Intake air temperature sensor - input signal too low Intake air temperature sensor - input signal too high
Blink code FI warning lamp (MIL)	 15 FI warning lamp (MIL) flashes 1x long, 5x short
Error level condition	Rollover sensor (A/D type) - input signal too low Rollover sensor (A/D type) - input signal too high
Blink code FI warning lamp (MIL)	 17 FI warning lamp (MIL) flashes 1x long, 7x short
Error level condition	FE EU Lambda sensor cylinder 1, sensor 1 - circuit fault
Blink code FI warning lamp (MIL)	 33 FI warning lamp (MIL) flashes 3x long, 3x short
Error level condition	Injector cylinder 1 - circuit fault
Blink code FI warning lamp (MIL)	 37 FI warning lamp (MIL) flashes 3x long, 7x short
Error level condition	Ignition coil 1, cylinder 1 - circuit fault
Blink code FI warning lamp (MIL)	 41 FI warning lamp (MIL) flashes 4x long, 1x short
Error level condition	Fuel pump relay - short circuit to ground or open circuit Open/short circuit to plus

Blink code FI warning lamp (MIL)	 45 FI warning lamp (MIL) flashes 4x long, 5x short
Error level condition	FE EU Lambda sensor heater cylinder 1, sensor 1 - short circuit to ground or open circuit Lambda sensor heater cylinder 1, sensor 1 - input signal too high

23.1 Engine

Design	1-cylinder 4-stroke engine, water-cooled
Displacement	249.91 cm ³ (15.2505 cu in)
Stroke	52.3 mm (2.059 in)
Bore	78 mm (3.07 in)
Compression ratio	12.8:1
Idle speed	1,950... 2,050 rpm
Control	DOHC, four valves controlled via cam lever, drive via timing chain
Valve diameter, intake	32.5 mm (1.28 in)
Valve diameter, exhaust	26.5 mm (1.043 in)
Valve clearance	
Intake at: 20 °C (68 °F)	0.10... 0.15 mm (0.0039... 0.0059 in)
Exhaust at: 20 °C (68 °F)	0.13... 0.18 mm (0.0051... 0.0071 in)
Crankshaft bearing	2 cylinder bearings
Conrod bearing	Slide bearing
Piston pin bearing	Bearing bush
Pistons	Forged light alloy
Piston rings	1 compression ring, 1 oil scraper ring
Engine lubrication	Pressure circulation lubrication with two Eaton pumps
Primary transmission	24:73
Clutch	Multidisc clutch in oil bath/hydraulically activated
Transmission ratio	
1st gear	13:32
2nd gear	16:30
3rd gear	16:24
4th gear	23:28
5th gear	23:23
6th gear	26:20
Alternator	12 V, 168 W
Ignition	Contactless controlled fully electronic ignition with digital ignition adjustment
Spark plug	NGK LMAR9AI-10
Spark plug electrode gap	1.0 mm (0.039 in)
Cooling	Water cooling, permanent circulation of coolant by water pump
Starting aid	Electric starter

23.2 Engine tightening torques

Nozzle, crank chamber ventilation	M4	2 Nm (1.5 lbf ft)	Loctite® 243™
Oil nozzle for alternator cooling	M4	2 Nm (1.5 lbf ft)	Loctite® 243™
Oil nozzle for balancer shaft lubrication	M4	2 Nm (1.5 lbf ft)	Loctite® 243™
Oil nozzle for conrod bearing lubrication	M4	2 Nm (1.5 lbf ft)	Loctite® 243™
Screw, oil nozzle for piston cooling	M4	2 Nm (1.5 lbf ft)	Loctite® 243™
Locking screw for bearing	M5	6 Nm (4.4 lbf ft)	Loctite® 243™
Oil channel screw plug in alternator cover	M5	1.2 Nm (0.89 lbf ft)	Loctite® 648™
Oil nozzle for cam lever lubrication	M5	3 Nm (2.2 lbf ft)	Loctite® 243™
Oil nozzle for clutch lubrication	M5	6 Nm (4.4 lbf ft)	Loctite® 243™
Oil nozzle, piston cooling	M5	2 Nm (1.5 lbf ft)	Loctite® 243™
Screw, clutch spring	M5	6 Nm (4.4 lbf ft)	–
Screw, crankshaft position sensor	M5	6 Nm (4.4 lbf ft)	Loctite® 243™
Screw, locking lever	M5	6 Nm (4.4 lbf ft)	Loctite® 243™

Screw, oil pump cover	M5	6 Nm (4.4 lbf ft)	Loctite® 243™
Screw, stator	M5	6 Nm (4.4 lbf ft)	Loctite® 243™
Nut, cylinder head	M6	10 Nm (7.4 lbf ft)	Lubricated with engine oil
Nut, water-pump wheel	M6	6 Nm (4.4 lbf ft)	Loctite® 243™
Screw, alternator cover	M6	6 Nm (4.4 lbf ft)	–
Screw, clutch cover	M6	10 Nm (7.4 lbf ft)	–
Screw, clutch slave cylinder	M6	10 Nm (7.4 lbf ft)	–
Screw, engine case	M6	10 Nm (7.4 lbf ft)	–
Screw, exhaust flange	M6	10 Nm (7.4 lbf ft)	Loctite® 243™
Screw, oil filter cover	M6	10 Nm (7.4 lbf ft)	–
Screw, shift drum locating	M6	10 Nm (7.4 lbf ft)	Loctite® 243™
Screw, shift lever	M6	14 Nm (10.3 lbf ft)	Loctite® 243™
Screw, starter motor	M6	10 Nm (7.4 lbf ft)	–
Screw, timing chain guide rail	M6	10 Nm (7.4 lbf ft)	Loctite® 243™
Screw, timing chain securing guide	M6	10 Nm (7.4 lbf ft)	Loctite® 243™
Screw, valve cover	M6	8 Nm (5.9 lbf ft)	–
Screw, water pump cover	M6	10 Nm (7.4 lbf ft)	–
Stud, cylinder head	M6	10 Nm (7.4 lbf ft)	–
Screw, autodecompression	M7x1	15 Nm (11.1 lbf ft)	Loctite® 243™
Screw, camshaft bearing bridge	M7x1	14 Nm (10.3 lbf ft)	Lubricated with engine oil
Screw plug, crankshaft location	M8	10 Nm (7.4 lbf ft)	–
Screw, timing chain tensioning rail	M8	15 Nm (11.1 lbf ft)	Loctite® 243™
Screw, engine sprocket	M10	60 Nm (44.3 lbf ft)	Loctite® 2701™
Plug, oil channel	M10x1	15 Nm (11.1 lbf ft)	Loctite® 243™
Rotor screw	M10x1	70 Nm (51.6 lbf ft)	Thread, oiled with engine oil/cone degreased
Screw plug, cam lever axis	M10x1	10 Nm (7.4 lbf ft)	–
Screw, unlocking of timing chain tensioner	M10x1	10 Nm (7.4 lbf ft)	–
Spark plug	M10x1	10... 12 Nm (7.4... 8.9 lbf ft)	–
Nut, cylinder head	M10x1.25	Tightening sequence: Tighten diagonally. 1st tightening stage 10 Nm (7.4 lbf ft) 2nd tightening stage 30 Nm (22.1 lbf ft) 3rd tightening stage 50 Nm (36.9 lbf ft)	Thread, oiled with engine oil/cone greased
Stud, cylinder head	M10x1.25	20 Nm (14.8 lbf ft)	Loctite® 243™
Engine coolant temperature sensor	M12x1.5	12 Nm (8.9 lbf ft)	–
Oil drain plug with magnet	M12x1.5	20 Nm (14.8 lbf ft)	–
Plug, oil pressure regulator valve	M12x1.5	20 Nm (14.8 lbf ft)	–
Oil drain plug	M14x1.5	15 Nm (11.1 lbf ft)	–
Nut, inner clutch hub	M18x1.5	100 Nm (73.8 lbf ft)	Loctite® 243™
Nut, primary gear	M18LHx1.5	100 Nm (73.8 lbf ft)	Loctite® 243™
Screw plug, oil screen	M20x1.5	15 Nm (11.1 lbf ft)	–
Plug, timing chain tensioner	M24x1.5	25 Nm (18.4 lbf ft)	–
Screw, alternator cover	M24x1.5	18 Nm (13.3 lbf ft)	–

23.3 Capacities

23.3.1 Engine oil

Engine oil	1.20 l (1.27 qt.)	Engine oil (SAE 10W/50) (☛ p. 109)
------------	-------------------	------------------------------------

23.3.2 Coolant

Coolant	1.2 l (1.3 qt.)	Coolant (mixed ready to use) (☛ p. 109)
		Coolant (☛ p. 109)

23.3.3 Fuel

Total fuel tank capacity, approx.	9.5 l (2.51 US gal)	Super unleaded (ROZ 95/RON 95/PON 91) (☛ p. 110)
-----------------------------------	---------------------	--

Fuel reserve, approx.	1.5 l (1.6 qt.)
-----------------------	-----------------

23.4 Chassis

Frame	Central tube frame made of chrome molybdenum steel tubing	
Fork	WP Suspension Up Side Down 4860 4CS	
Suspension travel		
Front	300 mm (11.81 in)	
Suspension travel		
Rear	330 mm (12.99 in)	
Fork offset	20 mm (0.79 in)	
Shock absorber	WP Suspension 5018 BAVP DCC	
Brake system	Disc brakes, brake calipers on floating bearings	
Brake discs - diameter		
Front	260 mm (10.24 in)	
Rear	220 mm (8.66 in)	
Brake discs - wear limit		
Front	2.5 mm (0.098 in)	
Rear	3.5 mm (0.138 in)	
Tire air pressure off road		
Front	1.0 bar (15 psi)	
Rear	1.0 bar (15 psi)	
Road tire pressure (FE EU/AU)		
Front	1.5 bar (22 psi)	
Rear	1.5 bar (22 psi)	
Final drive (FE EU/AU)	14:52 (13:52)	
Final drive (FE US)	13:52	
Chain	5/8 x 1/4"	
Rear sprockets available	48, 50, 52	
Steering head angle	63.5°	
Wheelbase	1,482±10 mm (58.35±0.39 in)	
Seat height unloaded	970 mm (38.19 in)	
Ground clearance unloaded	345 mm (13.58 in)	
Homologated weight without fuel, approx. (FE EU/AU)	109.5 kg (241.4 lb.)	
Weight without fuel, approx. (FE US)	107.5 kg (237 lb.)	
Maximum permissible front axle load	145 kg (320 lb.)	
Maximum permissible rear axle load	190 kg (419 lb.)	
Maximum permissible overall weight	335 kg (739 lb.)	

23.5 Electrical system

Battery	YTX5L-BS	Battery voltage: 12 V Nominal capacity: 4 Ah Maintenance-free
Speedometer battery	CR 2032	Battery voltage: 3 V
Fuse	75011088010	10 A
Fuse	58011109120	20 A
Headlight	HS1/socket BX43t	12 V 35/35 W
Parking light	W5W / socket W2.1x9.5d	12 V 5 W
Indicator lamps	W2.3W / socket W2x4.6d	12 V 2.3 W
Turn signal (FE EU/AU)	R10W / socket BA15s	12 V 10 W
Brake/tail light	LED	
License plate lamp (FE EU/AU)	W5W / socket W2.1x9.5d	12 V 5 W

23.6 Tires

Validity	Front tires	Rear tires
(FE EU/AU)	90/90 - 21 M/C 54R TT Michelin ENDURO COMPETITION IV	140/80 - 18 M/C 70R TT Michelin ENDURO COMPETITION IIIe
(FE US)	90/90 - 21 54M TT Dunlop GEOMAX AT 81 F	110/100 - 18 64M TT Dunlop GEOMAX AT 81

Additional information is available in the Service section under:
www.husqvarna-motorcycles.com

23.7 Fork

Fork part number	24.18.7N.67	
Fork	WP Suspension Up Side Down 4860 4CS	
Compression damping		
Comfort	15 clicks	
Standard	13 clicks	
Sport	11 clicks	
Rebound damping		
Comfort	15 clicks	
Standard	13 clicks	
Sport	11 clicks	
Spring length with preload spacer(s)	472 mm (18.58 in)	
Spring rate		
Weight of rider: 65... 75 kg (143... 165 lb.)	4.0 N/mm (22.8 lb/in)	
Weight of rider: 75... 85 kg (165... 187 lb.)	4.2 N/mm (24 lb/in)	
Weight of rider: 85... 95 kg (187... 209 lb.)	4.4 N/mm (25.1 lb/in)	
Fork length	932 mm (36.69 in)	
Air chamber length	100 mm (3.94 in)	
Oil capacity per fork leg	635 ml (21.47 fl. oz.)	Fork oil (SAE 4) (48601166S1) (☛ p. 109)

23.8 Shock absorber

Shock absorber part number	18.15.7N.67
Shock absorber	WP Suspension 5018 BAVP DCC
Compression damping, low-speed	
Comfort	20 clicks
Standard	18 clicks
Sport	16 clicks
Compression damping, high-speed	
Comfort	2.5 turns
Standard	2 turns
Sport	1.5 turns
Rebound damping	
Comfort	20 clicks
Standard	18 clicks
Sport	16 clicks
Spring preload	13 mm (0.51 in)
Spring rate	
Weight of rider: 65... 75 kg (143... 165 lb.)	51 N/mm (291 lb/in)
Weight of rider: 75... 85 kg (165... 187 lb.)	54 N/mm (308 lb/in)
Weight of rider: 85... 95 kg (187... 209 lb.)	57 N/mm (325 lb/in)
Spring length	260 mm (10.24 in)
Gas pressure	10 bar (145 psi)
Static sag	30 mm (1.18 in)
Riding sag	100 mm (3.94 in)
Fitted length	490 mm (19.29 in)
Shock absorber oil	Shock absorber fluid (SAE 2.5) (50180751S1) (☛ p. 109)

23.9 Chassis tightening torques

Screw, pressure regulator	EJOT PT® K60x25-Z	2.3 Nm (1.7 lbf ft)	–
Spoke nipple, front wheel	M4.5	6 Nm (4.4 lbf ft)	–
Spoke nipple, rear wheel	M4.5	6 Nm (4.4 lbf ft)	–
Remaining nuts, chassis	M5	5 Nm (3.7 lbf ft)	–
Remaining screws, chassis	M5	5 Nm (3.7 lbf ft)	–
Screw, battery terminal	M5	2.5 Nm (1.84 lbf ft)	–
Screw, intake air temperature sensor	M5	2 Nm (1.5 lbf ft)	–
Screw, shock absorber adjusting ring	M5	5 Nm (3.7 lbf ft)	–
Screw, spoiler on fuel tank (FE US)	M5x12	1.5 Nm (1.11 lbf ft)	–
Nut, cable on starter motor	M6	4 Nm (3 lbf ft)	–
Remaining nuts, chassis	M6	10 Nm (7.4 lbf ft)	–
Remaining screws, chassis	M6	10 Nm (7.4 lbf ft)	–
Screw, ball joint of push rod on foot brake cylinder	M6	10 Nm (7.4 lbf ft)	Loctite® 243™
Screw, chain sliding guard	M6	6 Nm (4.4 lbf ft)	Loctite® 243™
Screw, front brake disc	M6	14 Nm (10.3 lbf ft)	Loctite® 243™
Screw, rear brake disc	M6	14 Nm (10.3 lbf ft)	Loctite® 243™
Screw, throttle grip	M6	5 Nm (3.7 lbf ft)	–
Fuel connection on fuel pump	M8	10 Nm (7.4 lbf ft)	–
Nut, foot brake lever stop	M8	20 Nm (14.8 lbf ft)	–
Nut, rear sprocket screw	M8	35 Nm (25.8 lbf ft)	Loctite® 2701™
Nut, rim lock	M8	12 Nm (8.9 lbf ft)	–
Remaining nuts, chassis	M8	25 Nm (18.4 lbf ft)	–

Remaining screws, chassis	M8	25 Nm (18.4 lbf ft)	–
Screw, bottom triple clamp	M8	15 Nm (11.1 lbf ft)	–
Screw, chain sliding piece	M8	15 Nm (11.1 lbf ft)	–
Screw, engine brace	M8	33 Nm (24.3 lbf ft)	Loctite® 2701™
Screw, fork stub	M8	15 Nm (11.1 lbf ft)	–
Screw, front brake caliper	M8	25 Nm (18.4 lbf ft)	Loctite® 243™
Screw, handlebar clamp	M8	20 Nm (14.8 lbf ft)	–
Screw, manifold	M8	15 Nm (11.1 lbf ft)	–
Screw, side stand attachment	M8	45 Nm (33.2 lbf ft)	Loctite® 2701™
Screw, subframe	M8x20	30 Nm (22.1 lbf ft)	Loctite® 2701™
Screw, subframe	M8x30	30 Nm (22.1 lbf ft)	Loctite® 2701™
Screw, top steering stem	M8	17 Nm (12.5 lbf ft)	Loctite® 243™
Screw, top triple clamp	M8	17 Nm (12.5 lbf ft)	–
Engine attachment bolt	M10	60 Nm (44.3 lbf ft)	–
Remaining nuts, chassis	M10	45 Nm (33.2 lbf ft)	–
Remaining screws, chassis	M10	45 Nm (33.2 lbf ft)	–
Screw, bottom shock absorber	M10	60 Nm (44.3 lbf ft)	Loctite® 2701™
Screw, handlebar holder	M10	40 Nm (29.5 lbf ft)	Loctite® 243™
Screw, top shock absorber	M10	60 Nm (44.3 lbf ft)	Loctite® 2701™
Nut, fuel pump fixation	M12	15 Nm (11.1 lbf ft)	–
Nut, angle lever on swingarm	M14x1.5	80 Nm (59 lbf ft)	–
Nut, frame on linkage lever	M14x1.5	80 Nm (59 lbf ft)	–
Nut, linkage lever on angle lever	M14x1.5	80 Nm (59 lbf ft)	–
Nut, swingarm pivot	M16x1.5	100 Nm (73.8 lbf ft)	–
Nut, rear wheel spindle	M20x1.5	80 Nm (59 lbf ft)	–
Screw, top steering head	M20x1.5	12 Nm (8.9 lbf ft)	–
Screw-in nozzles, cooling system	M20x1.5	12 Nm (8.9 lbf ft)	Loctite® 243™
Screw, front wheel spindle	M24x1.5	45 Nm (33.2 lbf ft)	–

Brake fluid DOT 4

Standard/classification

- DOT

Guideline

- Use only brake fluid that complies with the specified standard (see specifications on the container) and that possesses the corresponding properties.

Recommended supplier

Bel-Ray®

- Super DOT 4 Brake Fluid

Coolant

Guideline

- Use only suitable coolant (even in countries with high temperatures). Using inferior antifreeze can result in corrosion and foaming.

Mixture ratio

Antifreeze protection: -25... -45 °C (-13... -49 °F)	50 % anti-corrosion/antifreeze 50 % distilled water
--	--

Coolant (mixed ready to use)

Antifreeze protection	-35 °C (-31 °F)
-----------------------	-----------------

Recommended supplier

Bel-Ray®

- Moto Chill Racing Coolant

Engine oil (SAE 10W/50)

Standard/classification

- JASO T903 MA (☛ p. 112)
- SAE (☛ p. 112) (SAE 10W/50)

Guideline

- Use only engine oils that comply with the specified standards (see specifications on the container) and that possess the corresponding properties.

Synthetic engine oil

Recommended supplier

Bel-Ray®

- Works Thumper Racing Synthetic Ester 4T

Fork oil (SAE 4) (48601166S1)

Standard/classification

- SAE (☛ p. 112) (SAE 4)

Guideline

- Use only oils that comply with the specified standards (see specifications on the container) and that possess the corresponding properties.

Shock absorber fluid (SAE 2.5) (50180751S1)

Standard/classification

- SAE (☛ p. 112) (SAE 2.5)

Guideline

- Use only oils that comply with the specified standards (see specifications on the container) and that possess the corresponding properties.

Super unleaded (ROZ 95/RON 95/PON 91)

Standard/classification

- DIN EN 228 (ROZ 95/RON 95/PON 91)

Guideline

- Only use unleaded super fuel that matches or is equivalent to the specified fuel grade.
- Fuel with an ethanol content of up to 10 % (E10 fuel) is safe to use.



Info

Do **not** use fuel containing methanol (e. g. M15, M85, M100) or more than 10 % ethanol (e. g. E15, E25, E85, E100).

Air filter cleaning agent

Recommended supplier

Bel-Ray®

- Foam Filter Cleaner & Degreaser

High viscosity grease

Recommended supplier

SKF®

- LGHB 2

Long-life grease

Recommended supplier

Bel-Ray®

- Waterproof Grease

Offroad chain spray

Guideline

Recommended supplier

Bel-Ray®

- Blue Tac Chain Lube

Oil for foam air filter

Recommended supplier

Bel-Ray®

- Foam Filter Oil

Preserving materials for paints, metal and rubber

Recommended supplier

Bel-Ray®

- Silicone Detailer & Protectant Spray

Rubber grip adhesive (00062030051)

Recommended supplier

KTM-Sportmotorcycle AG

- GRIP GLUE

Universal oil spray

Recommended supplier

Bel-Ray®

- 6 in 1

JASO T903 MA

Different technical development directions required a new specification for 4-stroke motorcycles – the JASO T903 MA Standard. Earlier, engine oils from the automobile industry were used for 4-stroke motorcycles because there was no separate motorcycle specification. Whereas long service intervals are demanded for automobile engines, high performance at high engine speeds are in the foreground for motorcycle engines. In most motorcycles, the gearbox and the clutch are lubricated with the same oil as the engine. The JASO MA Standard meets these special requirements.

SAE

The SAE viscosity classes were defined by the Society of Automotive Engineers and are used for classifying oils according to their viscosity. The viscosity describes only one property of oil and says nothing about quality.

A	
Accessories	9
Air filter	
cleaning	51
installing	50
removing	50
Air filter box	
cleaning	51
sealing	51
Air filter box lid	
installing	50
removing	50
Antifreeze	
checking	87
Auxiliary substances	9
B	
Basic suspension setting	
checking with rider's weight	34
Battery	
charging	81
installing	80
removing	80
Blink code	101-102
Brake discs	
checking	67
Brake fluid	
front brake, adding	67
rear brake, adding	72
Brake fluid level	
front brake, checking	67
rear brake, checking	71
Brake linings	
front brake, changing	69
front brake, checking	68
rear brake, changing	73
rear brake, checking	73
Brake system	66-74
C	
Capacity	
coolant	89, 105
engine oil	94, 105
fuel	31, 105
Chain	
checking	61
cleaning	59
Chain guide	
checking	61
Chain tension	
adjusting	60
checking	59
Chassis number	12
Clutch	
fluid level, checking/rectifying	64

fluid, changing	64
Clutch lever	14
basic position, adjusting	64
Combination instrument	
overview	20
Compression damping	
fork, adjusting	38
Compression damping, high-speed	
shock absorber, adjusting	35
Compression damping, low-speed	
shock absorber, adjusting	34
Coolant	
draining	88
refilling	89
Coolant level	
checking	87-88
Cooling system	87
Customer service	9
D	
Difficult riding conditions	25
dry sand	25
high temperature	27
low temperature	27
muddy surfaces	26
slow speed	27
snow	27
wet sand	26
wet surfaces	26
E	
Electric starter button	16
Emergency OFF switch	15
Engine	
running-in	25
Engine guard	
installing	65
removing	65
Engine number	12
Engine oil	
adding	95
changing	93
Engine oil level	
checking	92
Engine sprocket	
checking	61
Environment	7
F	
Figures	9
Filler cap	
closing	17
opening	16
Filling up	
fuel	31

Foot brake lever	18
basic position, adjusting	71
free travel, checking	70
Fork legs	
basic setting, checking	38
bleeding	41
dust boots, cleaning	41
installing	43
removing	42
Fork protector	
installing	44
loosening	42
removing	43
Frame	
checking	62
Front fender	
installing	48
removing	48
Front wheel	
installing	75
removing	75
Fuel screen	
changing	92
Fuel tank	
installing	58
removing	56
Fuse	
individual power consumers, changing	82
main fuse, changing	82
H	
Hand brake lever	14
basic position, adjusting	66
free travel, adjusting	66
free travel, checking	66
Handlebar position	39
adjusting	39
Headlight	
headlight range, adjusting	86
Headlight adjustment	
checking	85
Headlight bulb	
changing	84
Headlight mask with headlight	
installing	84
removing	83
Horn button	15
I	
Idle speed	
adjusting	91
Idle speed adjusting screw	17
Implied warranty	9
Intended use	6
K	
Key number	12

Kill switch	14
L	
Light switch	15
Lower triple clamp	
installing	45
removing	44
M	
Main fuse	
changing	82
Main silencer	
glass fiber yarn filling, changing	55
installing	55
removing	54
Manifold	
installing	53
removing	52
Manufacturer warranty	9
Motorcycle	
cleaning	96
raising with lift stand	41
removing from lift stand	41
O	
Oil filter	
changing	93
Oil screen	
cleaning	93
Operating substances	9
Overview of indicator lamps	16
Owner's Manual	8
P	
Play in throttle cable	
checking	90
Preparing for use	
advice on first use	24
after storage	98
checks and maintenance work when preparing for use	28
Protective clothing	7
R	
Rear sprocket	
checking	61
Rear wheel	
installing	77
removing	76
Rebound damping	
fork, adjusting	39
shock absorber, adjusting	35
Riding sag	
adjusting	37
Right side cover	
installing	56
removing	56
Rubber grip	
checking	63

securing 64

S

Safe operation 7

Seat

 mounting 49

 remove 49

Service 9

Service schedule 32-33

Shift lever 18

 basic position, adjusting 91

 basic position, checking 91

Shock absorber

 installing 49

 removing 49

 riding sag, checking 36

 spring preload, adjusting 37

 static sag, checking 36

Side stand 18

Spare parts 9

Speedometer

 battery, changing 86

 clock, setting 22

 kilometers or miles, setting 21

 message 20

 service display, setting 22

 setting 20

Spoke tension

 checking 78

Starting 28

Steering

 locking 19

 unlocking 19

Steering head bearing

 lubricating 47

Steering head bearing play

 adjusting 47

 checking 46

Storage 98

Swingarm

 checking 63

T

Technical data

 capacities 105

 chassis 105

 chassis tightening torques 107

 electrical system 106

 engine 103

 engine tightening torques 103

 fork 106

 shock absorber 107

 tires 106

Throttle cable play

 adjusting 90

Throttle cable routing

 checking 63

Throttle grip 14

Tire air pressure

 checking 78

Tire condition

 checking 77

Transport 30

Troubleshooting 99-100

Turn signal bulb

 changing 85

Turn signal switch 15

Type label 12

U

Use definition 6

V

View of vehicle

 front left 10

 rear right 11

W

Winter operation

 checks and maintenance steps 97

Work rules 7

THE PIONEERS OF MOTOCROSS



3402023en

07/2014



Husqvarna Motorcycles GmbH
Stallhofnerstraße 3 | 5230 Mattighofen
Austria



Photo:
Mitterbauer/Husqvarna
Motorcycles GmbH