

# OWNER'S MANUAL 2012

**250 SX-F EU**

**250 SX-F ROCZEN REPLICA EU**

**250 SX-F USA**

**250 XC-F USA**

Art. no. 3211813en



**KTM**



Congratulations on your decision to purchase a KTM motorcycle. You are now the owner of a state-of-the-art sports motorcycle that will give you enormous pleasure if you service and maintain it accordingly.

We wish you a lot of enjoyment in riding this vehicle!

Enter the serial numbers of your vehicle below.

Chassis number (☛ p. 9)	Dealer's stamp
Engine number (☛ p. 9)	

The owner's manual corresponded to the latest state of this series at the time of printing. Slight deviations resulting from continuing development and design can, however, not be completely excluded.

All specifications are non-binding. KTM Sportmotorcycle AG specifically reserves the right to modify or delete technical specifications, prices, colors, forms, materials, services, designs, equipment, etc., without prior notice and without specifying reasons, to adapt these to local conditions, as well as to stop production of a particular model without prior notice. KTM accepts no liability for delivery options, deviations from illustrations and descriptions, as well as misprints and other errors. The models portrayed partly contain special equipment that does not belong to the regular scope of delivery.

© 2011 KTM-Sportmotorcycle AG, Mattighofen Austria

All rights reserved

Reproduction, even in part, as well as copying of all kinds, is permitted only with the express written permission of the copyright owner.

















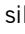








ISO 9001(12 100 6061)

According to the international quality management standard ISO 9001, KTM uses quality assurance processes that lead to the maximum possible quality of the products.

Issued by: TÜV Management Service

REG.NO. 12 100 6061

KTM-Sportmotorcycle AG  
5230 Mattighofen, Austria





MEANS OF REPRESENTATION .....	4	Checking the basic setting of the fork .....	29
IMPORTANT INFORMATION .....	5	Adjusting the compression damping of the fork .....	29
VIEW OF VEHICLE .....	7	Adjusting the rebound damping of the fork .....	30
View of vehicle, front left (example) .....	7	Handlebar position .....	30
View of vehicle, rear right (example) .....	8	Adjusting the handlebar position  .....	30
SERIAL NUMBERS .....	9	Activating the Factory Start (SX-F ROCZEN REPLICA) .....	31
Chassis number .....	9	SERVICE WORK ON THE CHASSIS .....	32
Type label .....	9	Raising the motorcycle with the lift stand .....	32
Engine number .....	9	Removing the motorcycle from the lift stand .....	32
Fork part number .....	9	Bleeding the fork legs .....	32
Shock absorber part number .....	9	Cleaning the dust boots of the fork legs .....	33
CONTROLS .....	10	Loosening the fork protection .....	33
Clutch lever .....	10	Positioning the fork protection .....	33
Hand brake lever .....	10	Removing the fork legs  .....	34
Throttle grip .....	10	Installing the fork legs  .....	34
Kill switch .....	10	Removing the fork protector  .....	35
Electric starter button .....	10	Installing the fork protector  .....	35
Overview of indicator lamps .....	11	Removing the lower triple clamp  .....	35
Opening the filler cap .....	11	Installing the lower triple clamp  .....	36
Closing the filler cap .....	11	Checking the steering head bearing play .....	37
Factory Start (SX-F ROCZEN REPLICA) .....	12	Adjusting the play of the steering head bearing  .....	38
Idle speed adjusting screw .....	12	Greasing the steering head bearing  .....	38
Shift lever .....	12	Removing the start number plate .....	39
Kick starter (XC-F) .....	13	Installing the start number plate .....	39
Foot brake lever .....	13	Removing the front fender .....	39
Plug-in stand (All SX-F models) .....	13	Installing the front fender .....	39
Side stand (XC-F) .....	13	Removing the shock absorber  .....	39
Service hour counter (SX-F ROCZEN REPLICA) .....	14	Installing the shock absorber  .....	40
PREPARING FOR USE .....	15	Removing the seat .....	41
Advice on first use .....	15	Mounting the seat .....	41
Running in the engine .....	16	Removing the air filter box lid .....	41
Preparing the vehicle for difficult riding conditions .....	16	Installing the air filter box lid .....	41
Preparing for rides on dry sand .....	17	Removing the air filter  .....	42
Preparing for rides on wet sand .....	17	Installing the air filter  .....	42
Preparing for rides on wet and muddy surfaces .....	18	Cleaning the air filter and air filter box  .....	42
Preparing for rides at high temperatures and low speeds ...	18	Removing the main silencer .....	43
Preparing for rides at low temperatures or in snow .....	18	Installing the main silencer .....	43
RIDING INSTRUCTIONS .....	19	Changing the glass fiber yarn filling of the main silencer  .....	43
Checks and maintenance before putting into operation .....	19	Removing the fuel tank  .....	44
Starting .....	19	Installing the fuel tank  .....	45
Starting off .....	20	Checking for chain dirt accumulation .....	46
Shifting, riding .....	20	Cleaning the chain .....	47
Applying the brakes .....	20	Checking the chain tension .....	47
Stopping, parking .....	20	Adjusting the chain tension .....	48
Refueling .....	21	Checking the chain, rear sprocket, engine sprocket and chain guide .....	48
SERVICE SCHEDULE .....	22	Adjusting the chain guide  .....	50
Service schedule .....	22	Checking the frame  .....	50
Service work (as additional order) .....	23	Checking the swingarm  .....	51
TUNING THE CHASSIS .....	24	Checking the throttle cable routing .....	51
Checking the basic chassis setting with the rider's weight .....	24	Checking the rubber grip .....	51
Compression damping of the shock absorber .....	24	Additionally securing the rubber grip .....	51
Adjusting the low-speed compression damping of the shock absorber .....	24	Adjusting the basic position of the clutch lever .....	52
Adjusting the high-speed compression damping of the shock absorber .....	25	Checking the fluid level of the hydraulic clutch .....	52
Adjusting the rebound damping of the shock absorber .....	26	Changing the hydraulic clutch fluid  .....	52
Measuring rear wheel sag unloaded .....	26	Removing the engine guard (SX-F ROCZEN REPLICA) .....	53
Checking the static sag of the shock absorber .....	27	Installing the engine guard (SX-F ROCZEN REPLICA) .....	53
Checking the riding sag of the shock absorber .....	27	BRAKES .....	54
Adjusting the spring preload of the shock absorber  .....	27	Checking the free travel of the hand brake lever .....	54
Adjusting the riding sag  .....	28	Adjusting the basic position of the hand brake lever .....	54

Checking the brake discs.....	54	TECHNICAL DATA - SHOCK ABSORBER .....	93
Checking the front brake fluid level .....	55	All SX-F EU models .....	93
Adding front brake fluid 🛠️ .....	55	SX-F USA .....	93
Checking the front brake linings.....	56	XC-F.....	94
Changing the front brake linings 🛠️.....	56	TECHNICAL DATA - CHASSIS TIGHTENING TORQUES .....	95
Checking the free travel of foot brake lever.....	58	SUBSTANCES.....	96
Adjusting the basic position of the foot brake lever 🛠️ .....	58	AUXILIARY SUBSTANCES.....	98
Checking the rear brake fluid level .....	59	STANDARDS.....	100
Adding rear brake fluid 🛠️.....	59	INDEX.....	101
Checking the rear brake linings .....	60		
Changing the rear brake linings 🛠️ .....	60		
WHEELS, TIRES .....	62		
Removing the front wheel 🛠️ .....	62		
Installing the front wheel 🛠️ .....	62		
Removing the rear wheel 🛠️ .....	63		
Installing the rear wheel 🛠️ .....	64		
Checking the tire condition.....	64		
Checking the tire air pressure .....	65		
Checking the spoke tension .....	65		
ELECTRICAL SYSTEM .....	67		
Removing the battery 🛠️ .....	67		
Installing the battery 🛠️ .....	67		
Recharging the battery 🛠️ .....	68		
Changing the main fuse .....	69		
COOLING SYSTEM .....	70		
Cooling system .....	70		
Checking the antifreeze and coolant level .....	70		
Checking the coolant level.....	70		
Draining the coolant 🛠️.....	71		
Refilling coolant 🛠️ .....	71		
TUNING THE ENGINE .....	73		
Checking the play in the throttle cable.....	73		
Adjusting the play in the throttle cable 🛠️ .....	73		
Adjusting the idle speed 🛠️.....	73		
Checking the basic position of the shift lever.....	74		
Adjusting the basic position of the shift lever 🛠️ .....	74		
SERVICE WORK ON THE ENGINE .....	75		
Changing the fuel screen 🛠️ .....	75		
Checking the engine oil level .....	76		
Changing the engine oil and oil filter, cleaning the oil screen 🛠️ .....	76		
Adding engine oil .....	78		
CLEANING, CARE .....	80		
Cleaning the motorcycle.....	80		
STORAGE .....	81		
Storage.....	81		
Putting into operation after storage .....	81		
TROUBLESHOOTING.....	82		
BLINK CODE .....	84		
TECHNICAL DATA - ENGINE.....	85		
Capacity - engine oil .....	86		
Capacity - coolant.....	86		
TECHNICAL DATA - ENGINE TIGHTENING TORQUES.....	87		
TECHNICAL DATA - CHASSIS .....	89		
Lighting equipment .....	89		
Tires .....	90		
Capacity - fuel.....	90		
TECHNICAL DATA - FORK.....	91		
All SX-F EU models .....	91		
SX-F USA .....	91		
XC-F.....	92		

## Symbols used

The meaning of specific symbols is described below.

---

	Indicates an expected reaction (e.g. of a work step or a function).
	Indicates an unexpected reaction (e.g. of a work step or a function).
	All work marked with this symbol requires specialist knowledge and technical understanding. In the interest of your own safety, have these jobs performed by an authorized KTM workshop! There, your motorcycle will be serviced optimally by specially trained experts using the specialist tools required.
	Indicates a page reference (more information is provided on the specified page).

---

## Formats used

The typographical formats used in this document are explained below.

---

<b>Specific name</b>	Identifies a proprietary name.
<b>Name<sup>®</sup></b>	Identifies a protected name.
<b>Brand<sup>™</sup></b>	Identifies a brand available on the open market.

---

## Use definition

KTM sport motorcycles are designed and built to withstand the normal stresses and strains of competitive use. The motorcycles comply with currently valid regulations and categories of the top international motorsport organizations.



### Info

The motorcycle may only be used in closed off areas remote from public road traffic.

## Service

A prerequisite for perfect operation and prevention of premature wear is that the service, care and tuning work on the engine and chassis is properly carried out as described in the owner's manual. Poor adjustment and tuning of the engine and chassis can lead to damage and breakage of components.

Using the vehicle in difficult conditions such as on sand or very muddy or wet terrain can lead to above-average wear of components such as the drive train or the brakes. For this reason, it may be necessary to service or replace worn parts before the limit specified in the service schedule is reached.

Pay careful attention to the prescribed running-in period and service intervals. If you observe these exactly, you will ensure a much longer service life for your motorcycle.

## Warranty

The work prescribed in the service schedule must be carried out by an authorized KTM workshop only and confirmed in the customer's service record and in the **KTM dealer.net**; otherwise, all warranty claims will be void. No warranty claims can be considered for damage resulting from manipulations and/or alterations to the vehicle.

## Fuel, oils, etc.

You should use the fuels, oils and greases according to specifications as listed in the owner's manual.

## Spare parts, accessories

For your own safety, only use spare parts and accessory products that are approved and/or recommended by KTM and have them installed by an authorized KTM workshop. KTM accepts no liability for other products and any resulting damage or loss.

Certain spare parts and accessory products are specified in parentheses in the descriptions. Your KTM dealer will be glad to advise you.

The current **KTM PowerParts** for your vehicle can be found on the KTM website.

International KTM Website: <http://www.ktm.com>

## Work rules

Special tools are required for some work. These are not part of the vehicle standard equipment, but they can be ordered with the item number stated in parentheses. Ex.: bearing puller (15112017000)

When the vehicle is assembled, non-reusable parts (e.g., self-locking screws and nuts, gaskets, seal rings, O-rings, splints, lock washers) must be replaced with new parts.

Where thread lockers are used on screw connections (e.g., **Loctite**®), follow the instructions for use from the manufacturer.

After disassembly, clean the parts that are to be reused and check them for damage and wear. Replace damaged or worn parts.

After you complete the repair or maintenance work, check the operating safety of the vehicle.

## Transport

### Note

**Danger of damage** The parked vehicle may roll away or fall over.

- Always place the vehicle on a firm and even surface.

### Note

**Fire hazard** Some vehicle components become very hot when the vehicle is operated.

- Do not park the vehicle near flammable or explosive substances. Do not place objects on the vehicle while it is still warm from being run. Always let the vehicle cool first.

- Switch off the engine.

- Use straps or other suitable devices to secure the motorcycle against accidents or falling over.

## Environment

Motorcycling is a wonderful sport and we naturally hope that you can enjoy it to the full. However, it is a potential problem for the environment and can lead to conflicts with other persons. But if you use your motorcycle responsibly, you can ensure that such problems and conflicts do not have to occur. To protect the future of motorcycle sport, make sure that you use your motorcycle legally, display environmental consciousness, and respect the rights of others.

## Notes/warnings

Pay close attention to the notes/warnings.



### Info

Various information and warning labels are affixed to the vehicle. Do not remove information/warning labels. If they are missing, you or others may not recognize potential hazards and may therefore be injured.

## Grades of risks



### Danger

Identifies a danger that will immediately and invariably lead to fatal or serious permanent injury if the appropriate measures are not taken.



### Warning

Identifies a danger that is likely to lead to fatal or serious injury if the appropriate measures are not taken.



### Caution

Identifies a danger that may lead to minor injuries if the appropriate measures are not taken.

### Note

Identifies a danger that will lead to considerable machine and material damage if the appropriate measures are not taken.



### Warning

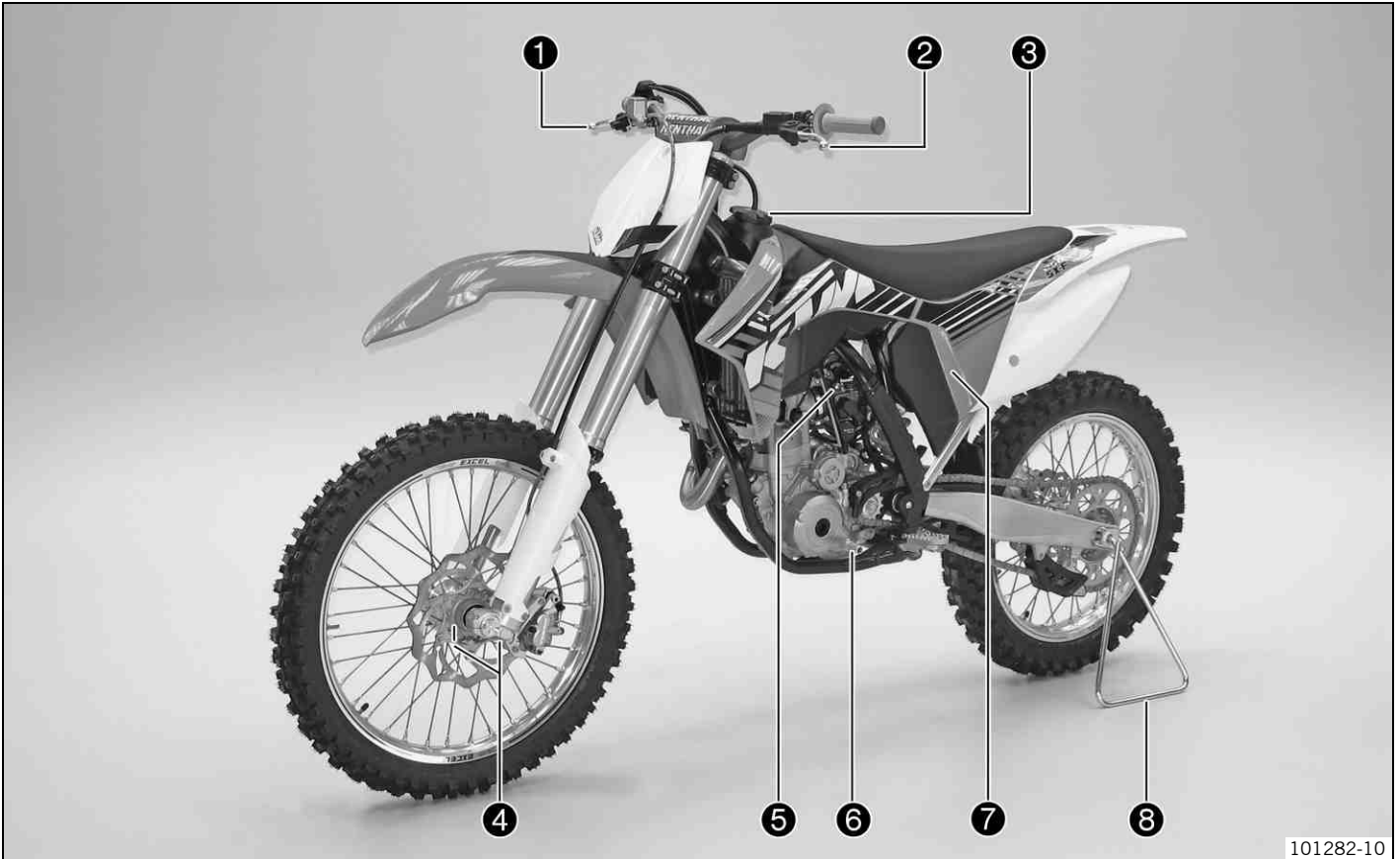
Identifies a danger that will lead to environmental damage if the appropriate measures are not taken.

## Owner's manual

- It is important that you read this owner's manual carefully and completely before making your first trip. It contains useful information and many tips on how to operate and handle your motorcycle. Only then will you learn how to best customize the motorcycle for your own use and to protect yourself from injury. The owner's manual also contains important information on servicing the motorcycle.
- The owner's manual is an important component of the motorcycle and should be handed over to the new owner if the vehicle is sold.



## View of vehicle, front left (example)



1 Hand brake lever (☛ p. 10)

2 Clutch lever (☛ p. 10)

3 Filler cap

4 Fork rebound adjustment

5 Idle speed adjusting screw (☛ p. 12)

6 Shift lever (☛ p. 12)

7 Air filter box lid

8 Plug-in stand (☛ p. 13)

## View of vehicle, rear right (example)



101283-10

- |   |                                       |
|---|---------------------------------------|
| 1 | Kill switch (☛ p. 10)                 |
| 2 | Electric starter button (☛ p. 10)     |
| 3 | Throttle grip (☛ p. 10)               |
| 4 | Fork compression adjustment           |
| 5 | Level viewer for brake fluid, rear    |
| 6 | Shock absorber rebound adjustment     |
| 7 | Shock absorber compression adjustment |
| 8 | Level viewer, engine oil              |
| 9 | Foot brake lever (☛ p. 13)            |

## Chassis number



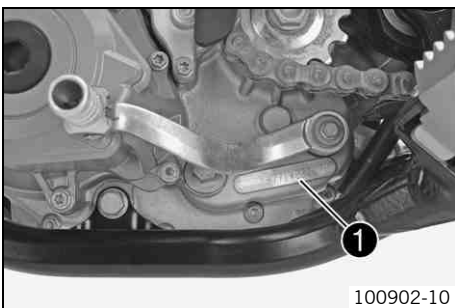
The chassis number ❶ is stamped on the right side of the steering head.

## Type label



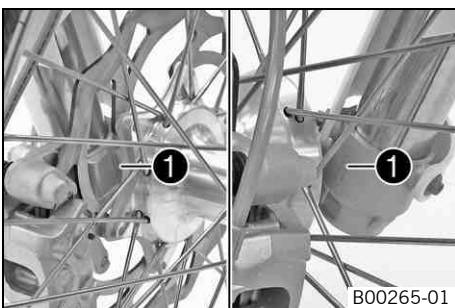
The type label ❶ is fixed to the front of the steering head.

## Engine number



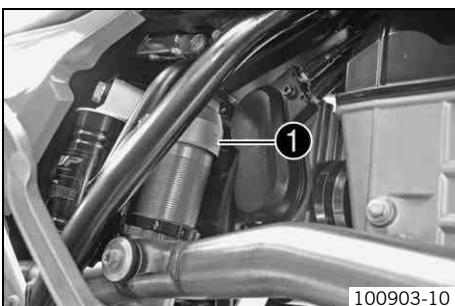
The engine number ❶ is stamped on the left side of the engine under the engine sprocket.

## Fork part number



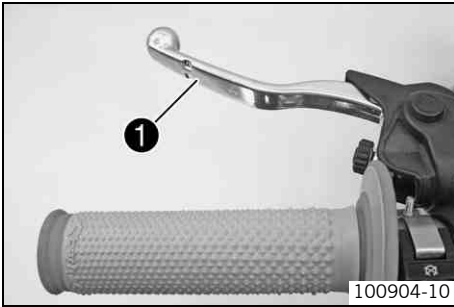
The fork part number ❶ is stamped on the inner side of the axle clamp.

## Shock absorber part number



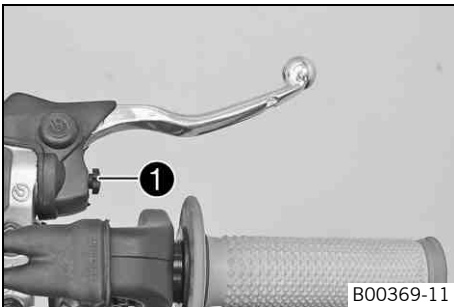
The shock absorber part number ❶ is stamped on the top of the shock absorber above the adjusting ring on the engine side.

## Clutch lever



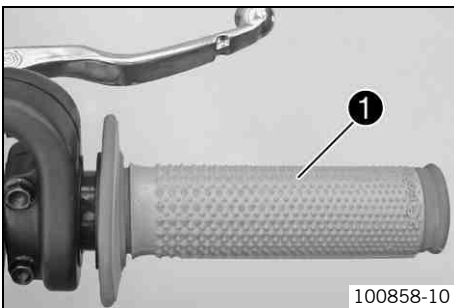
The clutch lever ❶ is fitted on the left side of the handlebar. The clutch is hydraulically operated and self-adjusting.

## Hand brake lever



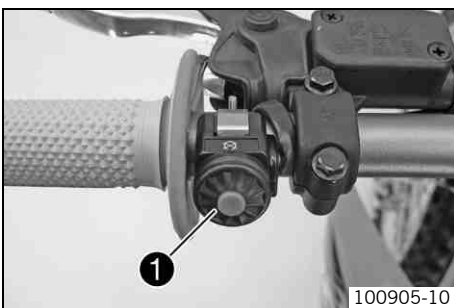
Hand brake lever ❶ is located on the right side of the handlebar. The hand brake lever is used to activate the front brake.

## Throttle grip



The throttle grip ❶ is fitted on the right side of the handlebar.

## Kill switch

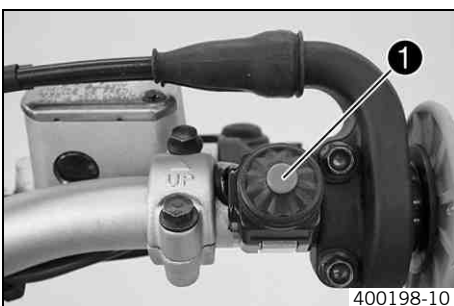


Kill switch ❶ is fitted on the left side of the handlebar.

### Possible states

- Kill switch ☒ in basic position – In this position, the ignition circuit is closed and the engine can be started.
- Kill switch ☒ pressed – In this position, the ignition circuit is interrupted, a running engine stops, and a non-running engine will not start.

## Electric starter button

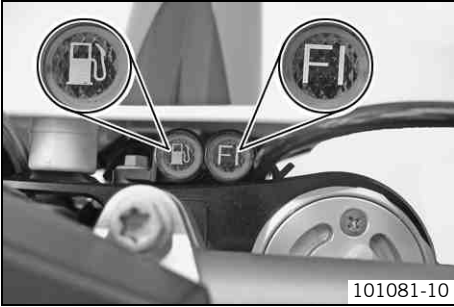


The electric starter button ❶ is fitted on the right side of the handlebar.

### Possible states

- Electric starter button Ⓢ in basic position
- Electric starter button Ⓢ pressed – In this position, the electric starter is actuated.

## Overview of indicator lamps



101081-10

### Possible states

	<b>FI</b> warning lamp ( <b>MIL</b> ) lights up/flashes orange – The OBD (onboard diagnosis) has identified an emissions- or safety-critical fault.
--	---

### (XC-F)

	Fuel level warning lamp lights up orange – Fuel level has reached the reserve mark.
--	---

## Opening the filler cap



### Danger

**Fire hazard** Fuel is highly flammable.

- Never refuel the vehicle near open flames or burning cigarettes, and always switch off the engine first. Be careful that no fuel is spilt, especially on hot vehicle components. Clean up spilt fuel immediately.
- Fuel in the fuel tank expands when warm and can escape if the tank is overfilled. See the notes on refueling.



### Warning

**Danger of poisoning** Fuel is poisonous and a health hazard.

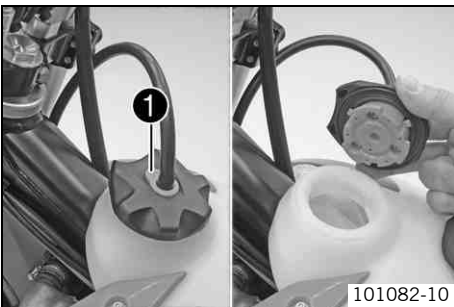
- Avoid contact between fuel and skin, eyes and clothing. Do not inhale fuel vapors. If fuel gets into your eyes, rinse immediately with water and contact a doctor. Wash affected skin areas immediately with soap and water. If fuel is swallowed, contact a doctor immediately. Change clothing that has come into contact with fuel. Store fuel in a suitable canister according to regulations and keep it out of the reach of children.



### Warning

**Environmental hazard** Improper handling of fuel is a danger to the environment.

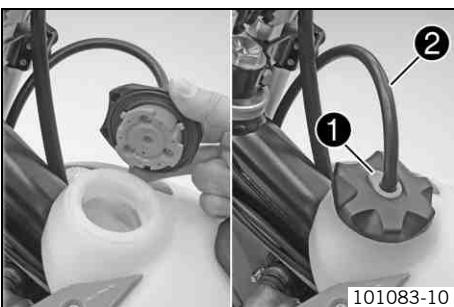
- Do not allow fuel to get into the ground water, the ground, or the sewage system.



101082-10

- Press release button ❶, turn the filler cap counterclockwise and lift it free.

## Closing the filler cap



101083-10

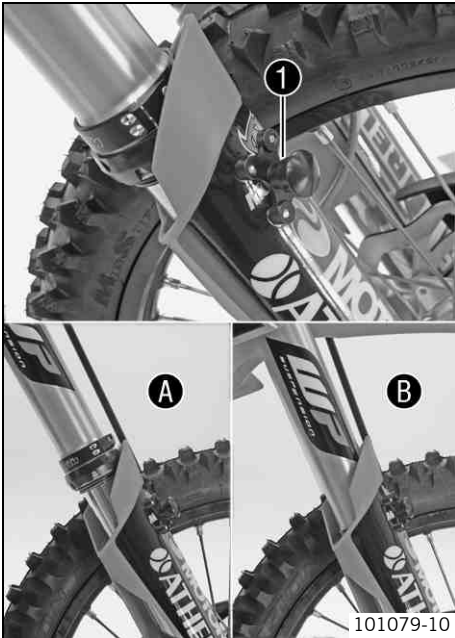
- Replace the filler cap and turn clockwise until the release button ❶ locks in place.



### Info

Run the fuel tank breather hose ❷ without kinks.

## Factory Start (SX-F ROCZEN REPLICA)



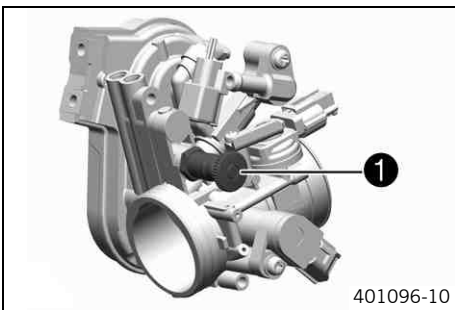
The Factory Start ❶ is mounted on the right fork protector.

### Possible states

- ❶ Factory Start is deactivated – The fork is in the normal operating mode.
- ❷ Factory Start is activated – The fork is compressed and the front of the motorcycle is lowered.

By activating the Factory Start, the front of the motorcycle is lowered; this causes the front wheel to rise up off the ground later during acceleration. When the fork compresses for the first time, the Factory Start lock button is released automatically. From this point on, the fork operates as if the Factory Start were deactivated or not installed.

## Idle speed adjusting screw

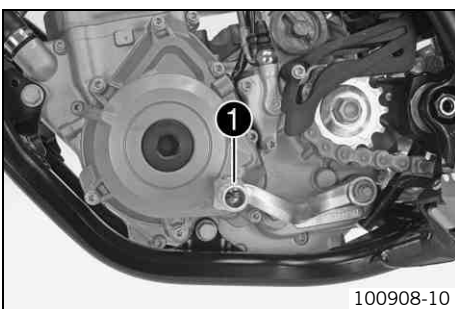


Idle speed adjusting screw ❶ is located on the throttle valve body at the top left. The idle speed adjusting screw has two functions. Turning it controls the idle speed. Pulling it out all the way raises the idle speed during a cold start.

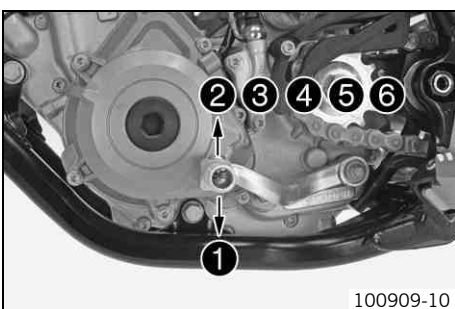
### Possible states

- RPM increase activated – Idle speed adjusting screw is pulled out all the way.
- RPM increase deactivated – Idle speed adjusting screw is pushed in all the way.

## Shift lever

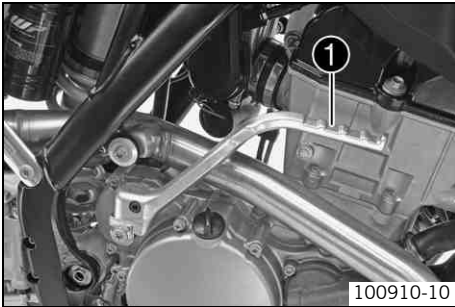


Shift lever ❶ is mounted on the left side of the engine.



The gear positions can be seen in the photograph. The neutral or idle position is between the first and second gears.

## Kick starter (XC-F)

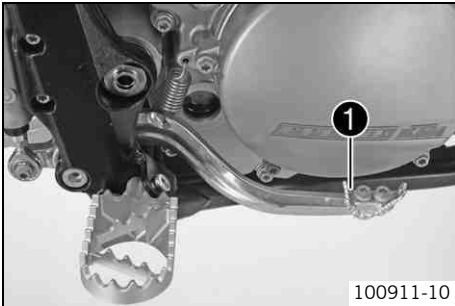


The kick starter ❶ is fitted on the right side of the engine. The upper part of the kick starter can be folded in.

**i** **Info**

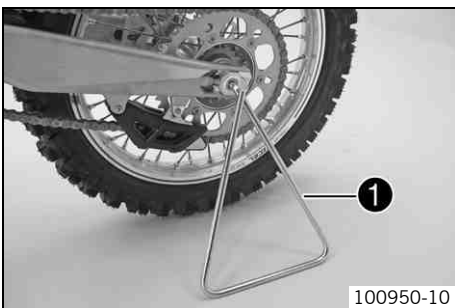
Before riding, fold the upper part of the kick starter toward the engine.

## Foot brake lever



Foot brake lever ❶ is located in front of the right footrest. The foot brake lever is used to activate the rear brake.

## Plug-in stand (All SX-F models)

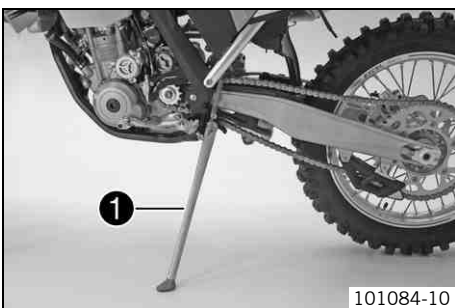


The holder for the plug-in stand ❶ is the left side of the wheel spindle. The plug-in stand is used to park the motorcycle.

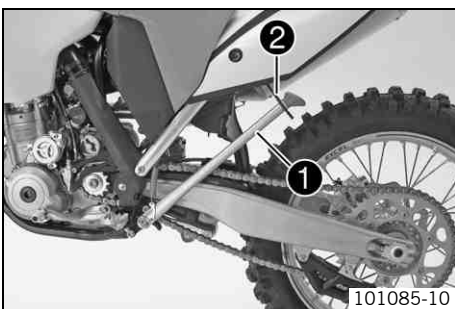
**i** **Info**

Remove the plug-in stand before starting on a trip.

## Side stand (XC-F)



The side stand ❶ is on the left side of the vehicle.

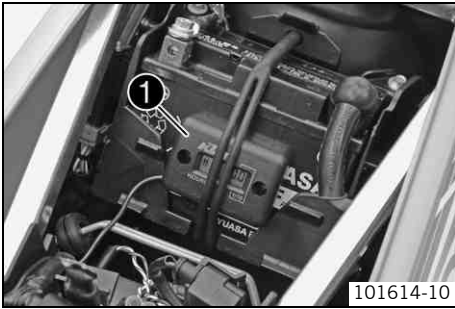


The side stand is used to park the motorcycle.

**i** **Info**

When you are riding, side stand ❶ must be folded up and secured with rubber band ❷.

## Service hour counter (SX-F ROCZEN REPLICA)



The service hour counter ❶ is attached to the battery below the seat. It shows the total number of service hours of the engine. The service hour counter begins counting when the engine is started and stops when the engine is switched off.

---

**i** **Info**

The value indicated by the service hour counter cannot be cleared or adjusted.

---



## Advice on first use



### Danger

**Danger of accidents** Danger arising from the rider's judgement being impaired.

- Do not operate the vehicle while under the influence of alcohol, drugs and certain medications or physically or mentally impaired.



### Warning

**Risk of injury** Missing or poor protective clothing present an increased safety risk.

- Wear protective clothing (helmet, boots, gloves, pants and jacket with protectors) every time you ride the vehicle. Always wear protective clothing, which must be undamaged and meet legal requirements.



### Warning

**Danger of crashing** Poor vehicle handling due to different tire tread patterns on front and rear wheels.

- The front and rear wheels must be fitted with tires with similar tread patterns to prevent loss of control over the vehicle.



### Warning

**Danger of accidents** Critical riding behavior due to inappropriate riding.

- Adapt your riding speed to the road conditions and your riding ability.



### Warning

**Danger of accidents** Accident risk caused by presence of a passenger.

- Your vehicle is not designed to carry passengers. Do not ride with a passenger.



### Warning

**Danger of accidents** Failure of brake system.

- If the foot brake lever is not released, the brake linings drag continuously. The rear brake may fail due to overheating. Take your foot off the foot brake lever when you are not braking.



### Warning

**Danger of accidents** Unstable riding behavior.

- Do not exceed the maximum permissible weight and axle loads.



### Warning

**Risk of misappropriation** Usage by unauthorized persons.

- Never leave the vehicle while the engine is running. Secure the vehicle against use by unauthorized persons.



### Info

When using your motorcycle, remember that others may feel disturbed by excessive noise.

- Make sure that the pre-delivery inspection work has been carried out by an authorized KTM workshop.
  - ✓ You receive a delivery certificate and the service record at vehicle handover.
- Before your first trip, read the entire operating instructions carefully.
- Get to know the controls.
- Adjust the basic position of the clutch lever. (☞ p. 52)
- Adjust the basic position of the hand brake lever. (☞ p. 54)
- Adjust the basic position of the foot brake lever. ☞ (☞ p. 58)
- Adjust the basic position of the shift lever. ☞ (☞ p. 74)
- Get used to handling the motorcycle on a suitable piece of land before making a longer trip.



### Info

Your motorcycle is not authorized for riding on public roads.

Offroad, you should be accompanied by another person on another machine so that you can help each other.

- Try also to ride as slowly as possible and in a standing position to get a better feeling for the vehicle.
- Do not make any offroad trips that over-stress your ability and experience.
- Hold the handlebar firmly with both hands and keep your feet on the footrests when riding.

**(All SX-F models)**

- Do not transport luggage.

**(XC-F)**

- If you carry any baggage, make sure it is fixed firmly as close as possible to the center of the vehicle and ensure even weight distribution between the front and rear wheels.

**i Info**

Motorcycles react sensitively to any changes of weight distribution.

- Do not exceed the overall maximum permitted weight and the axle loads.

Guideline

Maximum permissible overall weight	335 kg (739 lb.)
Maximum permissible front axle load	145 kg (320 lb.)
Maximum permissible rear axle load	190 kg (419 lb.)

- Run in the engine. (☛ p. 16)

**Running in the engine**

- During the running-in phase, do not exceed the specified engine speed and engine performance.

Guideline

Maximum engine speed	
During the first operating hour	7,000 rpm
Maximum engine performance	
During the first 3 service hours	≤ 75 %

- Avoid fully opening the throttle!

**Preparing the vehicle for difficult riding conditions**

**i Info**

Using a motorcycle in difficult conditions can lead to excessive wear of components such as the power train or brakes. For this reason, it may be necessary to service or replace worn parts before the limit specified in the service schedule is reached.

- KTM recommends that you use the specified engine oil for difficult riding conditions and to increase performance.

Engine oil (SAE 10W/60) (00062010035) (☛ p. 96)
---

- Seal the air filter box. 🛠️

**i Tip**

Seal the air filter box at the edges against dirt.

- Clean the air filter and air filter box. 🛠️ (☛ p. 42)

**i Info**

Check the air filter approx. every 30 minutes.

- Additionally secure the rubber grip. (☛ p. 51)
- Check the electrical connector for humidity and corrosion and to ensure it is firmly seated.
  - » If humidity, corrosion or damage is found:
    - Clean and dry the connector, or change it if necessary.

**Difficult riding conditions are:**

- Rides on dry sand. (☛ p. 17)
- Rides on wet sand. (☛ p. 17)
- Rides on wet and muddy surfaces. (☛ p. 18)
- Rides at high temperatures and low speeds. (☛ p. 18)
- Rides at low temperatures or in snow. (☛ p. 18)

## Preparing for rides on dry sand



B00435-01

- Fit a dust protection device on the air filter.

Dust protection device for air filter (77206920000)



**Info**

See the **KTM PowerParts** fitting instructions.



B00436-01

- Fit a sand protection device on the air filter.

Sand protection device for air filter (77206922000)



**Info**

See the **KTM PowerParts** fitting instructions.



600868-01

- Clean the chain.

Chain cleaner (☛ p. 98)

- Fit the steel sprocket.



**Tip**

Do not grease the chain.

- Clean the radiator fins.
- Straighten bent radiator fins carefully.
- If used in sand regularly, replace the piston every 20 operating hours.

## Preparing for rides on wet sand



B00437-01

- Fit a waterproofing device on the air filter.

Waterproofing device for air filter (77206921000)



**Info**

See the **KTM PowerParts** fitting instructions.



600868-01

- Clean the chain.

Chain cleaner (☛ p. 98)

- Fit the steel sprocket.



**Tip**

Do not grease the chain.

- Clean the radiator fins.
- Straighten bent radiator fins carefully.
- If used in sand regularly, replace the piston every 20 operating hours.

## Preparing for rides on wet and muddy surfaces



- Fit a waterproofing device on the air filter.

Waterproofing device for air filter (77206921000)



### Info

See the **KTM PowerParts** fitting instructions.



- Fit the steel sprocket.
- Clean the motorcycle. (☛ p. 80)
- Straighten bent radiator fins carefully.

## Preparing for rides at high temperatures and low speeds



- Adjust the secondary drive to the road conditions.



### Info

The engine oil quickly gets hot if the clutch has to be operated very often due to an excessively high secondary drive.

- Clean the chain.

Chain cleaner (☛ p. 98)

- Clean the radiator fins.
- Straighten bent radiator fins carefully.
- Check the coolant level. (☛ p. 70)

## Preparing for rides at low temperatures or in snow



- Fit a waterproofing device on the air filter.

Waterproofing device for air filter (77206921000)



### Info

See the **KTM PowerParts** fitting instructions.

## Checks and maintenance before putting into operation



### Info

Before every trip, check the condition of the vehicle and ensure that it is safe to operate. The vehicle must be in perfect technical condition when used.

- Check the engine oil level. (☛ p. 76)
- Check the front brake fluid level. (☛ p. 55)
- Check the rear brake fluid level. (☛ p. 59)
- Check the front brake linings. (☛ p. 56)
- Check the rear brake linings. (☛ p. 60)
- Check that the brake system is functioning properly.
- Check the coolant level. (☛ p. 70)
- Check for chain dirt accumulation. (☛ p. 46)
- Check the chain, rear sprocket, engine sprocket and chain guide. (☛ p. 48)
- Check the chain tension. (☛ p. 47)
- Check the tire condition. (☛ p. 64)
- Check the tire air pressure. (☛ p. 65)
- Check the spoke tension. (☛ p. 65)
- Clean the dust boots of the fork legs. (☛ p. 33)
- Bleed the fork legs. (☛ p. 32)
- Check the air filter.
- Check the settings of all controls and ensure that they can be operated smoothly.
- Check all screws, nuts and hose clamps regularly for tightness.
- Check the fuel reserves.

## Starting



### Danger

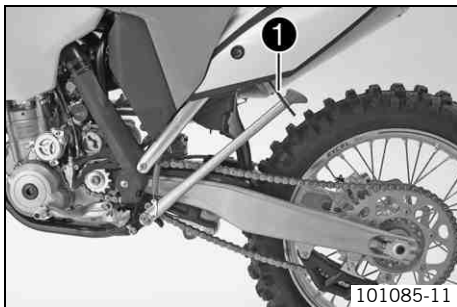
**Danger of poisoning** Exhaust gases are poisonous and inhaling them may result in unconsciousness and/or death.

- When running the engine, always make sure there is sufficient ventilation, and do not start or run the engine in an enclosed space without an effective exhaust extraction system.

### Note

**Engine failure** High engine speeds in cold engines have a negative effect on the service life of the engine.

- Always warm up the engine at low engine speeds.



### (All SX-F models)

- Remove the plug-in stand.

### (XC-F)

- Raise the motorcycle off of the stand and secure the stand with rubber band ❶.
- Shift gear to neutral.

### Condition

Ambient temperature: < 20 °C (< 68 °F)

- Pull the idle speed adjusting screw all the way out.
- Press the electric starter button or press the kick starter robustly through its full range.



### Info

Press the electric starter button for at most 5 seconds. Wait for a least 5 seconds before trying again.

Warning lamp **FI** lights up briefly as a functional control when starting.

**Starting off**

- Pull the clutch lever, engage 1st gear, release the clutch lever slowly and simultaneously open the throttle carefully.

**Shifting, riding****Warning**

**Danger of accidents** If you change down at high engine speed, the rear wheel can lock up.

- Do not change into a low gear at high engine speed. The engine races and the rear wheel can lock up.

**Info**

If you hear unusual noises while riding, stop immediately, switch off the engine and contact an authorized KTM workshop. First gear is used for starting off or for steep inclines.

- When conditions allow (incline, road situation, etc.), you can shift into a higher gear. To do so, release the throttle while simultaneously pulling the clutch lever, shift into the next gear, release the clutch and open the throttle.
- If you raised the idle speed to start the vehicle, push the idle speed adjusting screw in all the way after the engine warms up.
- After reaching maximum speed by fully opening the throttle grip, turn the throttle back so it is  $\frac{3}{4}$  open. This will barely reduce the speed but fuel consumption will be considerably lower.
- Always open the throttle only as much as the engine can handle – abrupt throttle opening increases fuel consumption.
- To shift down, brake and close the throttle at the same time.
- Pull the clutch lever and shift into a lower gear, release the clutch lever slowly and open the throttle or shift again.
- Switch off the engine if you expect to be standing for a long time.

Guideline

$\geq 1$ min
--------------

- Avoid frequent and longer slipping of the clutch. This heats the engine oil, the engine and the cooling system.
- Ride with a lower engine speed instead of with a high engine speed and a slipping clutch.

**Applying the brakes****Warning**

**Danger of accidents** If you brake too hard, the wheels can lock.

- Adapt your braking to the traffic situation and the road conditions.

**Warning**

**Danger of accidents** Reduced braking efficiency caused by spongy pressure point of front or rear brake.

- Check the brake system and do not continue riding. (Your authorized KTM workshop will be glad to help.)

**Warning**

**Danger of accidents** Reduced braking efficiency due to wet or dirty brakes.

- Clean or dry dirty or wet brakes by riding and braking gently.

- On sandy, wet or slippery surfaces, use the rear brake.
- Braking should always be completed before you go into a bend. Change down to a lower gear appropriate to your road speed.
- On long downhill stretches, use the braking effect of the engine. Change down one or two gears, but do not overstress the engine. In this way, you have to brake far less and the brakes do not overheat.

**Stopping, parking****Warning**

**Risk of misappropriation** Usage by unauthorized persons.

- Never leave the vehicle while the engine is running. Secure the vehicle against use by unauthorized persons.

**Warning**

**Danger of burns** Some vehicle components become very hot when the vehicle is operated.

- Do not touch hot components such as exhaust system, radiator, engine, shock absorber and brakes. Allow these components to cool down before starting work on them.

**Note**

**Danger of damage** The parked vehicle may roll away or fall over.

- Always place the vehicle on a firm and even surface.


**Note**

**Fire hazard** Some vehicle components become very hot when the vehicle is operated.


- Do not park the vehicle near flammable or explosive substances. Do not place objects on the vehicle while it is still warm from being run. Always let the vehicle cool first.

- Brake the motorcycle.
- Shift gear to neutral.
- Press and hold the kill switch ☒ while the engine is idling until the engine stops.
- Park the motorcycle on firm ground.

## Refueling

 **Danger**  
**Fire hazard** Fuel is highly flammable.

- Never refuel the vehicle near open flames or burning cigarettes, and always switch off the engine first. Be careful that no fuel is spilt, especially on hot vehicle components. Clean up spilt fuel immediately.
- Fuel in the fuel tank expands when warm and can escape if the tank is overfilled. See the notes on refueling.

 **Warning**  
**Danger of poisoning** Fuel is poisonous and a health hazard.

- Avoid contact of the fuel with skin, eyes and clothing. Do not inhale fuel vapors. If fuel gets into your eyes, rinse immediately with water and contact a doctor. Wash affected skin areas immediately with soap and water. If fuel is swallowed, contact a doctor immediately. Change clothing that has come into contact with fuel.

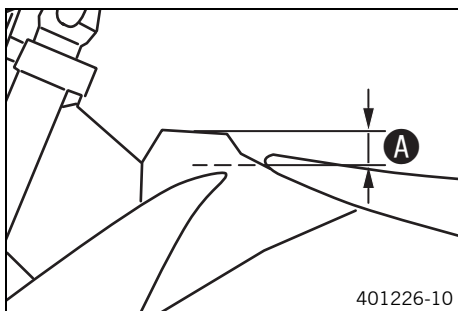
**Note**

**Material damage** Premature clogging of the fuel filter.

- In some countries and regions, the available fuel quality and cleanliness may not be sufficient. This will result in problems with the fuel system. (Your authorized KTM workshop will be glad to help.)
- Only refuel with clean fuel that meets the specified standards.

 **Warning**  
**Environmental hazard** Improper handling of fuel is a danger to the environment.

- Do not allow fuel to get into the ground water, the ground, or the sewage system.



- Switch off the engine.
- Open the filler cap. (☛ p. 11)
- Fill the fuel tank with fuel up to measurement **A**.

Guideline

Measurement of <b>A</b>	35 mm (1.38 in)	
Total fuel tank capacity, approx. (All SX-F models)	7.5 l (1.98 US gal)	Super unleaded (ROZ 95/RON 95/PON 91) (☛ p. 97)
Total fuel tank capacity, approx. (XC-F)	9.5 l (2.51 US gal)	Super unleaded (ROZ 95/RON 95/PON 91) (☛ p. 97)

- Close the filler cap. (☛ p. 11)

## Service schedule

	S1N	S10A	S20A	S30A
Read out the fault memory using the KTM diagnostics tool. 🛠️	•	•	•	•
Check and charge the battery. 🛠️		•	•	•
Change the engine oil and oil filter, clean the oil screen. 🛠️ (📖 p. 76)	•	•	•	•
Check the front brake linings. (📖 p. 56)		•	•	•
Check the rear brake linings. (📖 p. 60)		•	•	•
Check the brake discs. (📖 p. 54)		•	•	•
Check the brake lines for damage and leakage.		•	•	•
Check the rear brake fluid level. (📖 p. 59)		•	•	•
Check the free travel of the foot brake lever. (📖 p. 58)		•	•	•
Check the frame and swingarm. 🛠️		•	•	•
Check the swingarm bearing. 🛠️			•	
Check the shock absorber linkage. 🛠️		•	•	•
Conduct a minor fork service. 🛠️		•	•	•
Conduct a major fork service. 🛠️				•
Check the tire condition. (📖 p. 64)	•	•	•	•
Check the tire air pressure. (📖 p. 65)	•	•	•	•
Check the wheel bearing for play. 🛠️		•	•	•
Check the wheel hubs. 🛠️		•	•	•
Check the rim run-out. 🛠️	•	•	•	•
Check the spoke tension. (📖 p. 65)	•	•	•	•
Check the chain, rear sprocket, engine sprocket and chain guide. (📖 p. 48)		•	•	•
Check the chain tension. (📖 p. 47)	•	•	•	•
Grease all moving parts (e.g., hand lever, chain, ...) and check for smooth operation. 🛠️		•	•	•
Check the fluid level of the hydraulic clutch. (📖 p. 52)		•	•	•
Check the front brake fluid level. (📖 p. 55)		•	•	•
Check the free travel of the hand brake lever. (📖 p. 54)		•	•	•
Check the steering head bearing play. (📖 p. 37)	•	•	•	•
Check the valve clearance. 🛠️	•		•	
Check the clutch. 🛠️			•	
Change the fuel screen. 🛠️ (📖 p. 75)	•	•	•	•
Check the fuel pressure. 🛠️		•	•	•
Check all hoses (e. g. fuel, cooling, bleeding, drainage) and sleeves for tearing, leaks and incorrect routing. 🛠️	•	•	•	•
Check the antifreeze and coolant level. (📖 p. 70)	•	•	•	•
Check the cables for damage and routing without sharp bends. 🛠️		•	•	•
Check that the throttle cables are undamaged, routed without sharp bends and set correctly.	•	•	•	•
Clean the air filter and air filter box. 🛠️ (📖 p. 42)		•	•	•
Change the glass fiber yarn filling of the main silencer. 🛠️ (📖 p. 43)		•	•	•
Check the screws and nuts for tightness. 🛠️	•	•	•	•
Check the idle. 🛠️	•	•	•	•
Final check: Check the vehicle for roadworthiness and take a test ride.	•	•	•	•
Read out the fault memory using the KTM diagnostics tool after a test ride. 🛠️	•	•	•	•
Make the service entry in <b>KTM DEALER.NET</b> and in the service record. 🛠️	•	•	•	•

**S1N:** Once after 1 operating hour - corresponds to about 7 liters of fuel (1.8 US gal)

**S10A:** Every 10 operating hours - corresponds to about 70 liters of fuel (18.5 US gal) / after every race

**S20A:** Every 20 operating hours - corresponds to about 140 liters of fuel (37 US gal)

**S30A:** Every 30 operating hours - corresponds to about 210 liters of fuel (55.5 US gal)



## Service work (as additional order)

	S20N	S40A	S50A	S100A	J1A
Change the front brake fluid. 🛠️					•
Change the rear brake fluid. 🛠️					•
Change the hydraulic clutch fluid. 🛠️ (🔧 p. 52)					•
Grease the steering head bearing. 🛠️ (🔧 p. 38)					•
Service the shock absorber. 🛠️	•	•			
Change the spark plug and spark plug connector. 🛠️			•	•	
Change the piston. 🛠️			•	•	
Check/measure the cylinder. 🛠️			•	•	
Check the cylinder head. 🛠️			•	•	
Change the valves, valve springs and valve spring seats. 🛠️				•	
Check the camshaft and cam lever. 🛠️			•	•	
Change the connecting rod, conrod bearing and crank pin. 🛠️			•	•	
Check the transmission and shift mechanism. 🛠️			•	•	
Check the oil pressure regulator valve. 🛠️			•	•	
Check the oil pumps and lubrication system. 🛠️			•	•	
Check the timing assembly. 🛠️			•	•	
Change all engine bearings. 🛠️				•	

**S20N:** Once after 20 operating hours - corresponds to about 140 liters of fuel (37 US gal)

**S40A:** Every 40 operating hours - corresponds to about 280 liters of fuel (74 US gal)

**S50A:** Every 50 operating hours - corresponds to about 350 liters of fuel (92.5 US gal)

**S100A:** Every 100 operating hours - corresponds to about 700 liters of fuel (185 US gal)

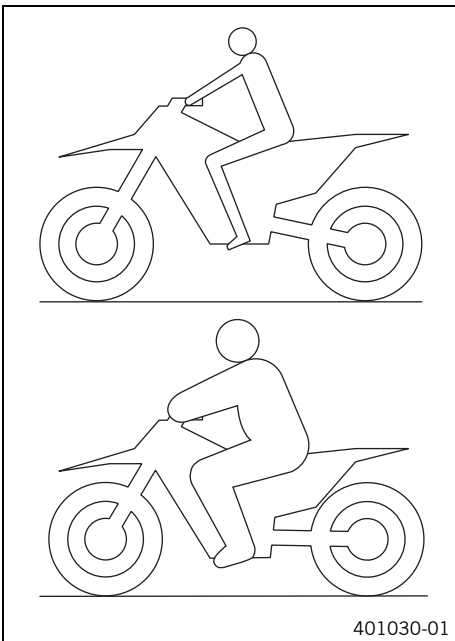
**J1A:** Annually

## Checking the basic chassis setting with the rider's weight



### Info

When adjusting the basic chassis setting, first adjust the shock absorber and then the fork.



401030-01

- For optimal motorcycle riding characteristics and to avoid damage to forks, shock absorbers, swingarm and frame, the basic settings of the suspension components must match the rider's weight.
- As delivered, KTM offroad motorcycles are adjusted for an average rider's weight (with full protective clothing).

### Guideline

Standard rider weight	75... 85 kg (165... 187 lb.)
-----------------------	------------------------------

- If the rider's weight is above or below this range, the basic setting of the suspension components must be adjusted accordingly.
- Small weight differences can be compensated by adjusting the spring preload, but in the case of large weight differences, the springs must be replaced.

## Compression damping of the shock absorber

The compression damping of the shock absorber is divided into two ranges: high-speed and low-speed.

High-speed and low-speed refer to the compression speed of the rear wheel suspension and not to the vehicle speed.

The high-speed setting, for example, has an effect on the landing after a jump: the rear wheel suspension compresses more quickly.

The low-speed setting, for example, has an effect when riding over long ground swells: the rear wheel suspension compresses more slowly.

These two ranges can be adjusted separately, although the transition between high-speed and low-speed is gradual. Thus, changes in the high-speed range affect the compression damping in the low-speed range and vice versa.

## Adjusting the low-speed compression damping of the shock absorber



### Caution

**Danger of accidents** Disassembly of pressurized parts can lead to injury.

- The shock absorber is filled with high density nitrogen. Adhere to the description provided. (Your authorized KTM workshop will be glad to help.)



### Info

The low-speed setting can be seen during the slow to normal compression of the shock absorber.



B00290-10

- Turn adjusting screw ❶ clockwise with a screwdriver up to the last perceptible click.



### Info

Do not loosen nut ❷!

- Turn back counterclockwise by the number of clicks corresponding to the shock absorber type.

Guideline

Compression damping, low-speed (All SX-F EU models)	
Comfort	17 clicks
Standard	15 clicks
Sport	13 clicks
Compression damping, low-speed (SX-F USA)	
Comfort	17 clicks
Standard	15 clicks
Sport	13 clicks
Compression damping, low-speed (XC-F)	
Comfort	17 clicks
Standard	15 clicks
Sport	13 clicks

**i Info**  
Turn clockwise to increase damping; turn counterclockwise to reduce damping.

## Adjusting the high-speed compression damping of the shock absorber

**⚠ Caution**  
**Danger of accidents** Disassembly of pressurized parts can lead to injury.

- The shock absorber is filled with high density nitrogen. Adhere to the description provided. (Your authorized KTM workshop will be glad to help.)

**i Info**  
The high-speed setting can be seen during the fast compression of the shock absorber.



- Turn adjusting screw ❶ all the way clockwise with a socket wrench.

**i Info**  
Do not loosen nut ❷!

- Turn back counterclockwise by the number of turns corresponding to the shock absorber type.

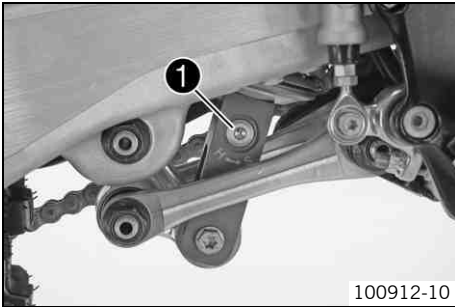
Guideline

Compression damping, high-speed (All SX-F EU models)	
Comfort	2.5 turns
Standard	2 turns
Sport	1.5 turns
Compression damping, high-speed (SX-F USA)	
Comfort	2.5 turns
Standard	2 turns
Sport	1.5 turns
Compression damping, high-speed (XC-F)	
Comfort	2.5 turns
Standard	2 turns
Sport	1.5 turns

**i Info**  
Turn clockwise to increase damping; turn counterclockwise to reduce damping.

## Adjusting the rebound damping of the shock absorber

- Caution**  
**Danger of accidents** Disassembly of pressurized parts can lead to injury.
- The shock absorber is filled with high density nitrogen. Adhere to the description provided. (Your authorized KTM workshop will be glad to help.)



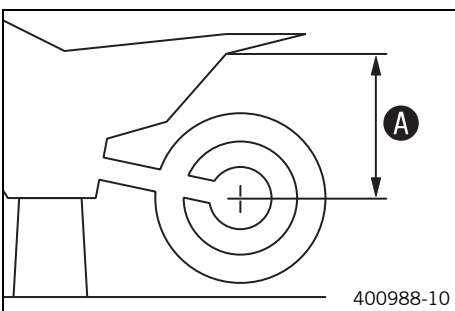
- Turn adjusting screw ❶ clockwise up to the last perceptible click.
- Turn back counterclockwise by the number of clicks corresponding to the shock absorber type.

**Guideline**

Rebound damping (All SX-F EU models)	
Comfort	17 clicks
Standard	15 clicks
Sport	13 clicks
Rebound damping (SX-F USA)	
Comfort	17 clicks
Standard	15 clicks
Sport	13 clicks
Rebound damping (XC-F)	
Comfort	17 clicks
Standard	15 clicks
Sport	13 clicks

- Info**  
 Turn clockwise to increase damping; turn counterclockwise to reduce damping.

## Measuring rear wheel sag unloaded



**Preliminary work**

- Raise the motorcycle with the lift stand. (☛ p. 32)

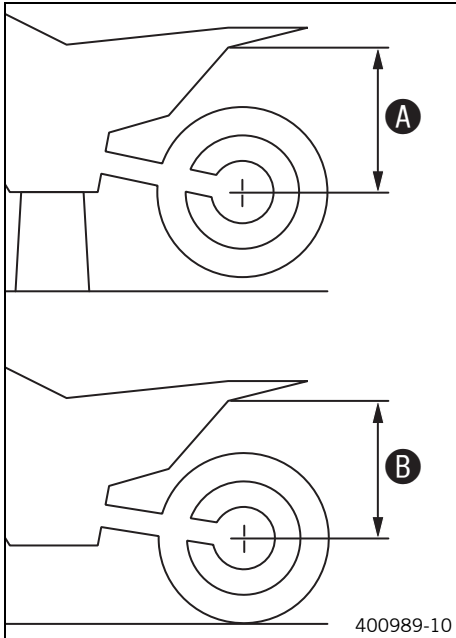
**Main work**

- Measure the vertical distance between the rear axle and a fixed point such as a marking on the side cover.
- Note down the value as dimension ❶.

**Follow-up work**

- Remove the motorcycle from the lift stand. (☛ p. 32)

## Checking the static sag of the shock absorber



- Measure distance **A** of rear wheel unloaded. (☞ p. 26)
- Hold the motorcycle upright with the aid of an assistant.
- Measure the distance between the rear axle and the fixed point again.
- Note down the value as dimension **B**.

**i Info**

The static sag is the difference between measurements **A** and **B**.

- Check the static sag.

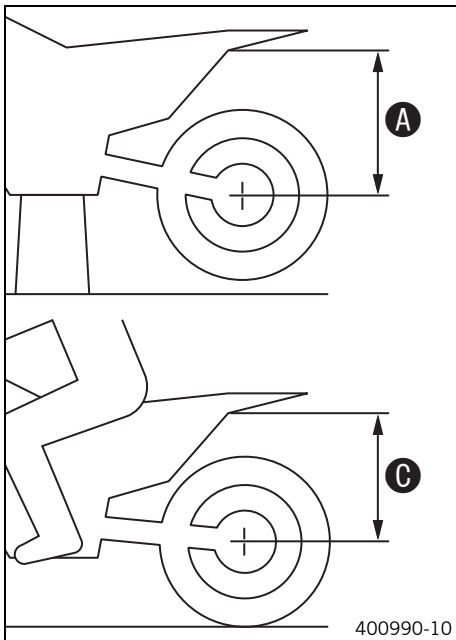
Static sag (All SX-F EU models)	30 mm (1.18 in)
---------------------------------	-----------------

Static sag (SX-F USA)	34 mm (1.34 in)
-----------------------	-----------------

Static sag (XC-F)	34 mm (1.34 in)
-------------------	-----------------

- » If the static sag is less or more than the specified value:
  - Adjust the spring preload of the shock absorber. ☞ (☞ p. 27)

## Checking the riding sag of the shock absorber



- Measure distance **A** of rear wheel unloaded. (☞ p. 26)
- With another person holding the motorcycle, the rider, wearing full protective clothing, sits on the seat in a normal sitting position (feet on footrests) and bounces up and down a few times.
  - ✓ The rear wheel suspension levels out.
- Another person now measures the distance between the rear axle and a fixed point.
- Note down the value as dimension **C**.

**i Info**

The riding sag is the difference between measurements **A** and **C**.

- Check the riding sag.

Riding sag (All SX-F EU models)	90 mm (3.54 in)
---------------------------------	-----------------

Riding sag (SX-F USA)	100 mm (3.94 in)
-----------------------	------------------

Riding sag (XC-F)	100 mm (3.94 in)
-------------------	------------------

- » If the riding sag differs from the specified measurement:
  - Adjust the riding sag. ☞ (☞ p. 28)

## Adjusting the spring preload of the shock absorber ☞

**⚠ Caution**

**Danger of accidents** Disassembly of pressurized parts can lead to injury.

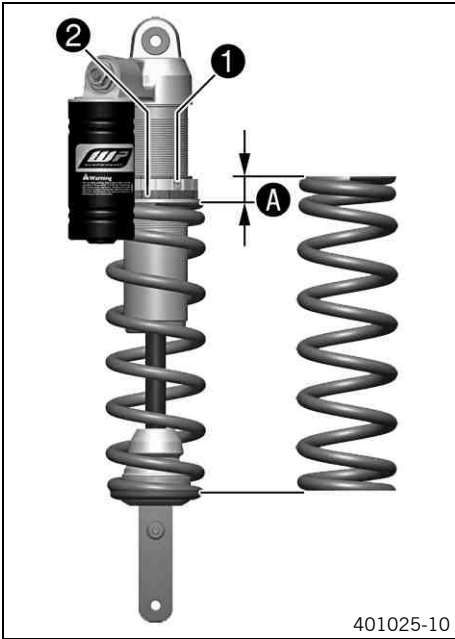
- The shock absorber is filled with high density nitrogen. Adhere to the description provided. (Your authorized KTM workshop will be glad to help.)

**i Info**

Before changing the spring preload, make a note of the present setting, e.g., by measuring the length of the spring.

**Preliminary work**

- Raise the motorcycle with the lift stand. (☞ p. 32)
- Remove the main silencer. (☞ p. 43)
- Remove the shock absorber. ☞ (☞ p. 39)



401025-10

- After removing the shock absorber, clean it thoroughly.

**Main work**

- Loosen screw ❶.
- Turn adjusting ring ❷ until the spring is no longer under tension.

Hook wrench (T106S)

- Measure the overall spring length while the spring is not under tension.
- Tighten the spring by turning adjusting ring ❷ to measurement ❸.

Guideline

Spring preload (All SX-F EU models)	15 mm (0.59 in)
Spring preload (SX-F USA)	12 mm (0.47 in)
Spring preload (XC-F)	12 mm (0.47 in)



**Info**

Depending on the static sag and/or the riding sag, it may be necessary to increase or decrease the spring preload.

- Tighten screw ❶.

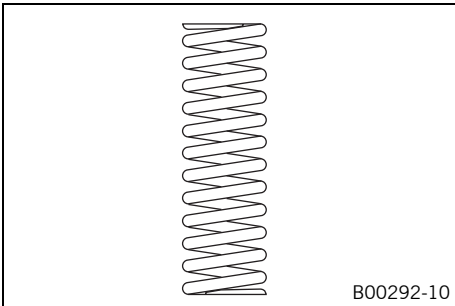
Guideline

Screw, shock absorber adjusting ring	M5	5 Nm (3.7 lbf ft)
--------------------------------------	----	-------------------

**Subsequent work**

- Install the shock absorber. (☛ p. 40)
- Install the main silencer. (☛ p. 43)
- Remove the motorcycle from the lift stand. (☛ p. 32)

**Adjusting the riding sag** ☛



B00292-10

**Preliminary work**

- Raise the motorcycle with the lift stand. (☛ p. 32)
- Remove the main silencer. (☛ p. 43)
- Remove the shock absorber. (☛ p. 39)
- After removing the shock absorber, clean it thoroughly.

**Main work**

- Choose and mount a suitable spring.

Guideline

Spring rate (All SX-F EU models)	
Weight of rider: 65... 75 kg (143... 165 lb.)	51 N/mm (291 lb/in)
Weight of rider: 75... 85 kg (165... 187 lb.)	54 N/mm (308 lb/in)
Weight of rider: 85... 95 kg (187... 209 lb.)	57 N/mm (325 lb/in)
Spring rate (SX-F USA)	
Weight of rider: 65... 75 kg (143... 165 lb.)	48 N/mm (274 lb/in)
Weight of rider: 75... 85 kg (165... 187 lb.)	51 N/mm (291 lb/in)
Weight of rider: 85... 95 kg (187... 209 lb.)	54 N/mm (308 lb/in)
Spring rate (XC-F)	
Weight of rider: 65... 75 kg (143... 165 lb.)	51 N/mm (291 lb/in)
Weight of rider: 75... 85 kg (165... 187 lb.)	54 N/mm (308 lb/in)
Weight of rider: 85... 95 kg (187... 209 lb.)	57 N/mm (325 lb/in)



**Info**

The spring rate is shown on the outside of the spring.

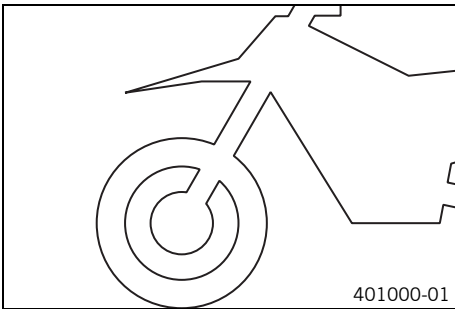
### Subsequent work

- Install the shock absorber. (🔧 p. 40)
- Install the main silencer. (🔧 p. 43)
- Check the static sag of the shock absorber. (🔧 p. 27)
- Check the riding sag of the shock absorber. (🔧 p. 27)
- Adjust the rebound damping of the shock absorber. (🔧 p. 26)
- Remove the motorcycle from the lift stand. (🔧 p. 32)

## Checking the basic setting of the fork

### **i** Info

For various reasons, no exact riding sag can be determined for the forks.

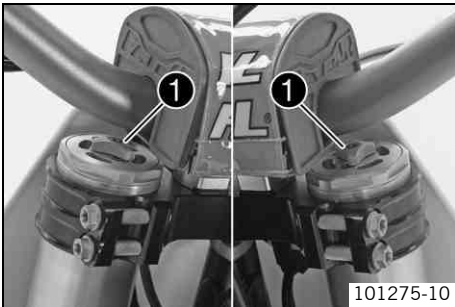


- As with the shock absorber, smaller differences in the rider's weight can be compensated by the spring preload.
- However, if the fork is often overloaded (hard end stop on compression), harder springs must be fit to avoid damage to the fork and frame.

## Adjusting the compression damping of the fork

### **i** Info

The hydraulic compression damping determines the fork suspension behavior.



- Turn adjusting screws ❶ clockwise all the way.

### **i** Info

Adjusting screws ❶ are located at the top end of the fork legs. Make the same adjustment on both fork legs.

- Turn back counterclockwise by the number of clicks corresponding to the fork type.

#### Guideline

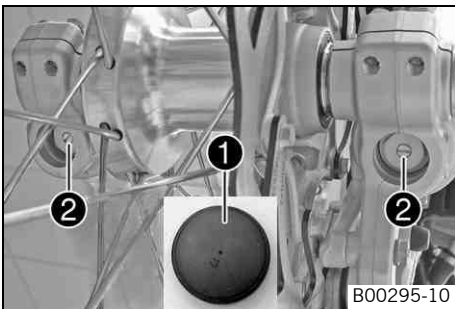
Compression damping (All SX-F EU models)	
Comfort	14 clicks
Standard	12 clicks
Sport	10 clicks
Compression damping (SX-F USA)	
Comfort	14 clicks
Standard	12 clicks
Sport	10 clicks
Compression damping (XC-F)	
Comfort	14 clicks
Standard	12 clicks
Sport	10 clicks

### **i** Info

Turn clockwise to increase damping; turn counterclockwise to reduce damping.

## Adjusting the rebound damping of the fork

**i Info**  
The hydraulic rebound damping determines the fork suspension behavior.



- Remove protection caps ❶.
- Turn adjusting screws ❷ clockwise all the way.

**i Info**  
Adjusting screws ❷ are located at the bottom end of the fork legs. Make the same adjustment on both fork legs.

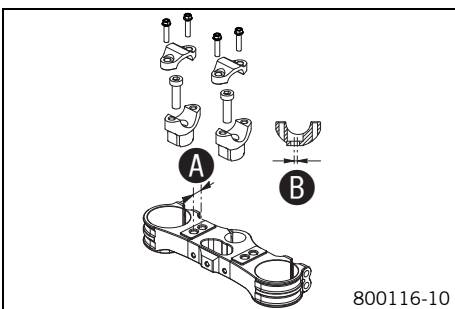
- Turn back counterclockwise by the number of clicks corresponding to the fork type. Guideline

Rebound damping (All SX-F EU models)	
Comfort	14 clicks
Standard	12 clicks
Sport	10 clicks
Rebound damping (SX-F USA)	
Comfort	14 clicks
Standard	12 clicks
Sport	10 clicks
Rebound damping (XC-F)	
Comfort	14 clicks
Standard	12 clicks
Sport	10 clicks

**i Info**  
Turn clockwise to increase damping; turn counterclockwise to reduce damping.

- Mount protection covers ❶.

## Handlebar position



On the upper triple clamp, there are two holes at a distance of **A** to each other.

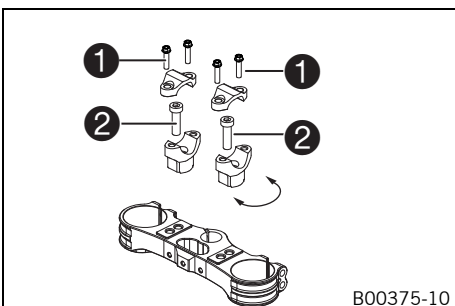
Hole distance A	15 mm (0.59 in)
-----------------	-----------------

The holes on the handlebar support are placed at a distance of **B** from the center.

Hole distance B	3.5 mm (0.138 in)
-----------------	-------------------

The handlebar can be mounted in four different positions. In this way, the handlebar can be mounted in the position that is most comfortable for the rider.

## Adjusting the handlebar position



- Remove the four screws ❶. Remove the handlebar clamp. Remove the handlebar and lay it to one side.

**i Info**  
Protect the motorcycle and its attachments against damage by covering them. Do not bend the cables and lines.

- Remove screws ❷. Remove the handlebar support.
- Place the handlebar support in the required position. Mount and tighten screws ❷.

Guideline

Screw, handlebar support	M10	40 Nm (29.5 lbf ft)	Loctite® 243™
--------------------------	-----	------------------------	---------------





**Info**

Position the left and right handlebar supports evenly.

- Position the handlebar.



**Info**

Make sure cables and wiring are positioned correctly.

- Position the handlebar clamp. Mount and evenly tighten the four screws ❶.

Guideline

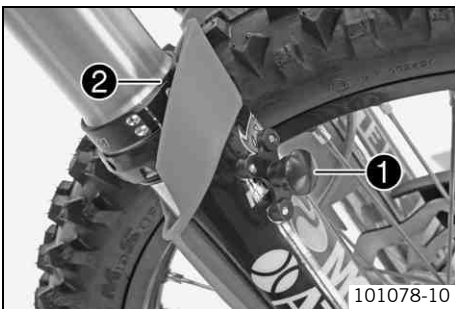
Screw, handlebar clamp	M8	20 Nm (14.8 lbf ft)
------------------------	----	------------------------

## Activating the Factory Start (SX-F ROCZEN REPLICA)



**Info**

In cold weather, the lock button may freeze up, preventing it from being released during compression.



101078-10

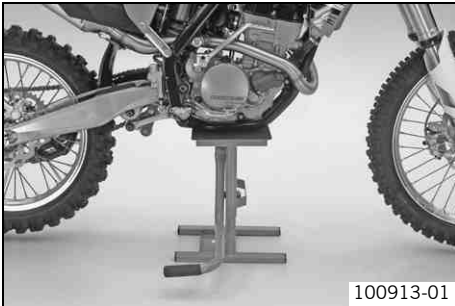
- Check lock button ❶ to ensure it can move easily.
- Bend over the handlebars while sitting on the motorcycle. Grip the rim and compress the fork. Press lock button ❶ and decompress slowly until the lock button engages in lock ring ❷.
- ✓ When the fork compresses for the first time, the lock button is released automatically.

## Raising the motorcycle with the lift stand

**Note**

**Danger of damage** The parked vehicle may roll away or fall over.

- Always place the vehicle on a firm and even surface.



- Raise the motorcycle at the frame underneath the engine.
  - ✓ The wheels must no longer touch the ground.
- Secure the motorcycle against falling over.

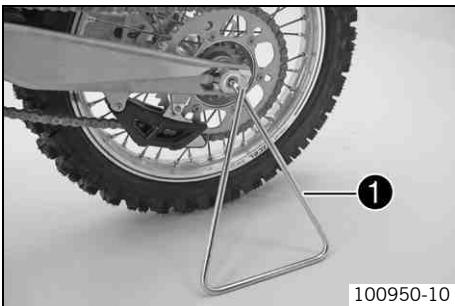
Lift stand (54829055000)

## Removing the motorcycle from the lift stand

**Note**

**Danger of damage** The parked vehicle may roll away or fall over.

- Always place the vehicle on a firm and even surface.

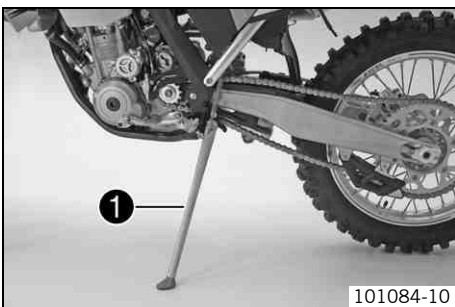


**(All SX-F models)**

- Remove the motorcycle from the lift stand.
- Remove the lift stand.
- To park the motorcycle, insert plug-in stand ❶ into the left side of the wheel spindle.

**i Info**

Remove the plug-in stand before starting on a trip.



**(XC-F)**

- Remove the motorcycle from the lift stand.
- Remove the lift stand.
- To park the motorcycle, press side stand ❶ to the ground with your foot and lean the motorcycle on it.

**i Info**

When you are riding, the side stand must be folded up and secured with the rubber band.

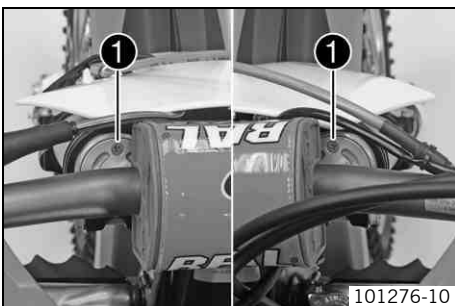
## Bleeding the fork legs

**Preliminary work**

- Raise the motorcycle with the lift stand. (☛ p. 32)

**Main work**

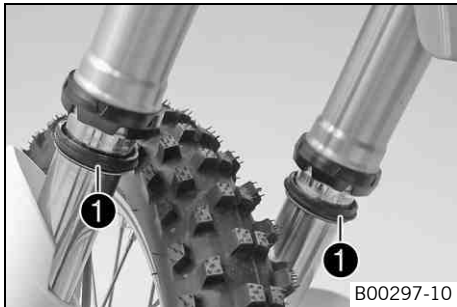
- Remove bleeder screws ❶ briefly.
  - ✓ Any excess pressure escapes from the interior of the fork.
- Mount and tighten bleeder screws.



**Follow-up work**

- Remove the motorcycle from the lift stand. (☛ p. 32)

## Cleaning the dust boots of the fork legs



### Preliminary work

- Raise the motorcycle with the lift stand. (☛ p. 32)
- Loosen the fork protection. (☛ p. 33)

### Main work

- Push dust boots ❶ of both fork legs downwards.

#### **i** Info

The dust boots should remove dust and coarse dirt particles from the fork tubes. Over time, dirt can penetrate behind the dust boots. If this dirt is not removed, the oil seals behind can start to leak.



#### Warning

**Danger of accidents** Reduced braking efficiency due to oil or grease on the brake discs.

- Always keep the brake discs free of oil and grease, and clean them with brake cleaner when necessary.

- Clean and oil the dust boots and inner fork tube of both fork legs.

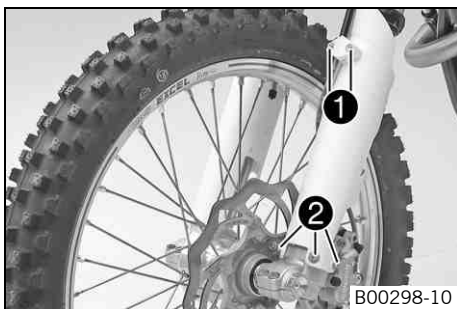
Universal oil spray (☛ p. 99)
-------------------------------

- Press the dust boots back into their normal position.
- Remove excess oil.

### Follow-up work

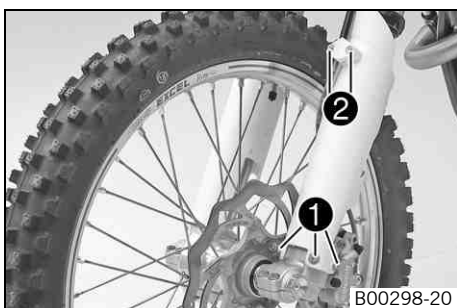
- Position the fork protection. (☛ p. 33)
- Remove the motorcycle from the lift stand. (☛ p. 32)

## Loosening the fork protection



- Remove screws ❶ and take off the clamp.
- Remove screws ❷ on the left fork leg. Push the fork protection downwards.
- Remove the screws on the right fork leg. Push the fork protection downwards.

## Positioning the fork protection



- Position the fork protection on the left fork leg. Mount and tighten screws ❶.

#### Guideline

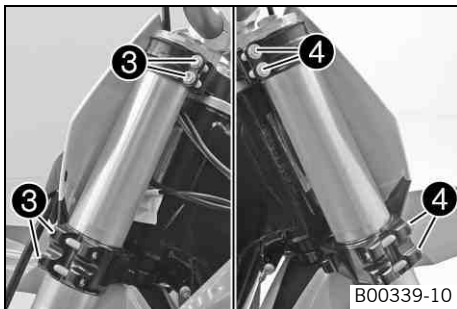
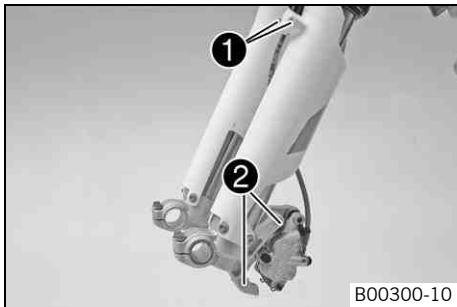
Remaining screws, chassis	M6	10 Nm (7.4 lbf ft)
---------------------------	----	--------------------

- Position the brake line and clamp. Mount and tighten screws ❷.
- Position the fork protection on the right fork leg. Mount and tighten the screws.

#### Guideline

Remaining screws, chassis	M6	10 Nm (7.4 lbf ft)
---------------------------	----	--------------------

## Removing the fork legs



### Preliminary work

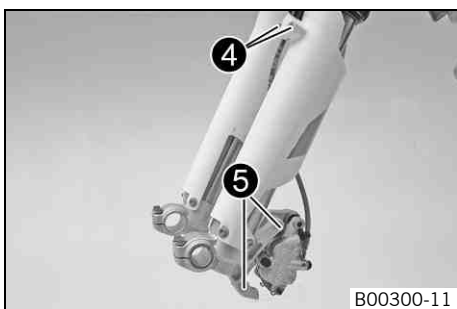
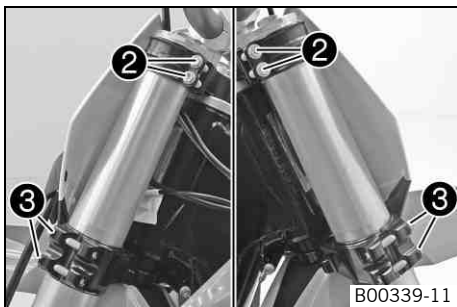
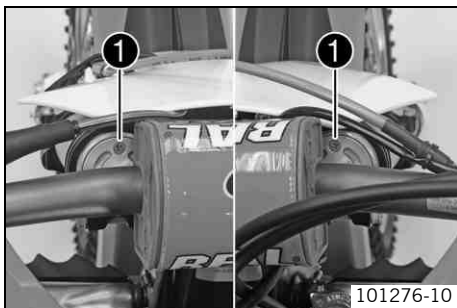
- Raise the motorcycle with the lift stand. (☞ p. 32)
- Remove the front wheel. (☞ p. 62)

### Main work

- Remove screws ❶ and take off the clamp.
- Remove screws ❷ and take off the brake caliper.
- Allow the brake caliper and brake line to hang tension-free to the side.

- Loosen screws ❸. Take out the left fork leg.
- Unscrew screws ❹. Take out the right fork leg.

## Installing the fork legs



### Main work

- Position the fork legs.



### Info

The upper milled groove in the fork leg must be flush with the top edge of the upper triple clamp.  
Position bleeder screws ❶ toward the front.

- Tighten screws ❷.

### Guideline

Screw, top triple clamp	M8	17 Nm (12.5 lbf ft)
-------------------------	----	------------------------

- Tighten screws ❸.

### Guideline

Screw, bottom triple clamp	M8	12 Nm (8.9 lbf ft)
----------------------------	----	--------------------

- Position the brake caliper. Mount and tighten screws ❹.

### Guideline

Screw, front brake caliper	M8	25 Nm (18.4 lbf ft)	Loctite® 243™
----------------------------	----	------------------------	---------------

- Position the brake line and clamp. Mount and tighten screws ❺.

### Subsequent work

- Install the front wheel. (☞ p. 62)

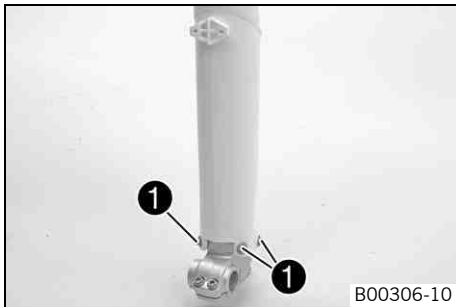
## Removing the fork protector

### Preliminary work

- Raise the motorcycle with the lift stand. (☞ p. 32)
- Remove the front wheel. (☞ p. 62)
- Remove the fork legs. (☞ p. 34)

### Main work

- Remove screws ❶ on the left fork leg. Remove the fork protector from above.
- Remove the screws on the right fork leg. Remove the fork protector from above.



## Installing the fork protector

### Main work

- Position the fork protection on the left fork leg. Mount and tighten screws ❶.

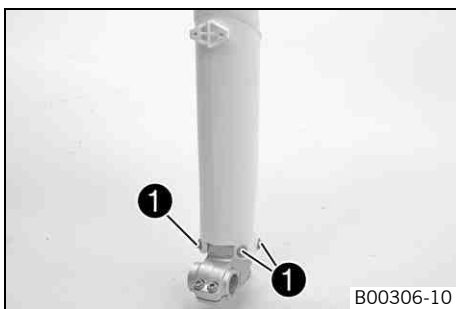
#### Guideline

Remaining screws, chassis	M6	10 Nm (7.4 lbf ft)
---------------------------	----	--------------------

- Position the fork protection on the right fork leg. Mount and tighten the screws.

#### Guideline

Remaining screws, chassis	M6	10 Nm (7.4 lbf ft)
---------------------------	----	--------------------



### Subsequent work

- Install the fork legs. (☞ p. 34)
- Install the front wheel. (☞ p. 62)

## Removing the lower triple clamp

### Preliminary work

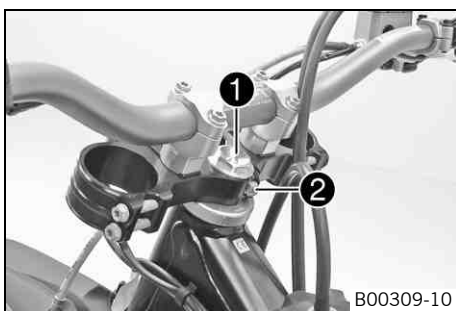
- Raise the motorcycle with the lift stand. (☞ p. 32)
- Remove the front wheel. (☞ p. 62)
- Remove the fork legs. (☞ p. 34)
- Remove the start number plate. (☞ p. 39)
- Remove the front fender. (☞ p. 39)
- Remove the handlebar cushion.

### Main work

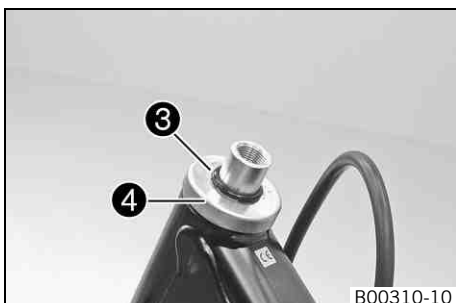
- Remove screw ❶.
- Remove screw ❷.
- Take off the top triple clamp with the handlebar and set it aside.

### Info

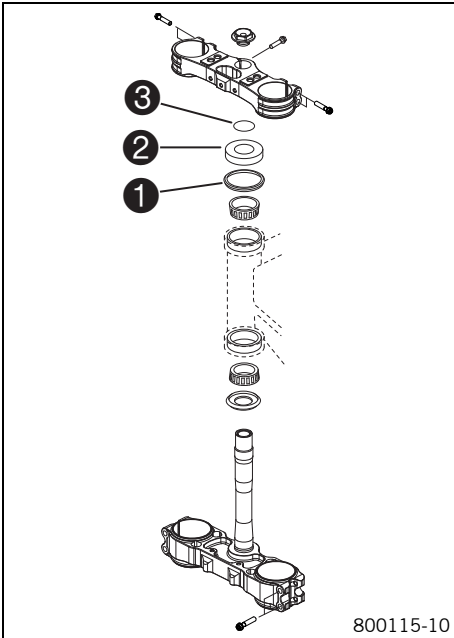
Protect the motorcycle and its attachments against damage by covering them.  
Do not bend the cables and lines.



- Remove O-ring ❸. Remove protective ring ❹.
- Take out the lower triple clamp with the steering stem.
- Take out the upper steering head bearing.



## Installing the lower triple clamp



### Main work

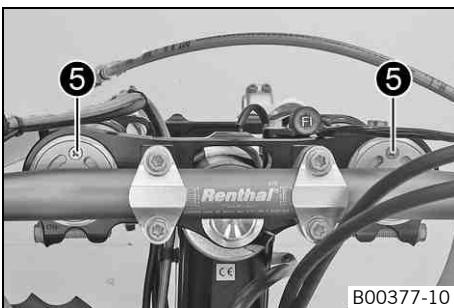
- Clean the bearing and sealing elements, check for damage, and grease.

High viscosity grease (☛ p. 98)

- Insert the lower triple clamp with the steering stem. Mount the upper steering head bearing.
- Check whether the top steering head seal ① is correctly positioned.
- Slide on protective ring ② and O-ring ③.



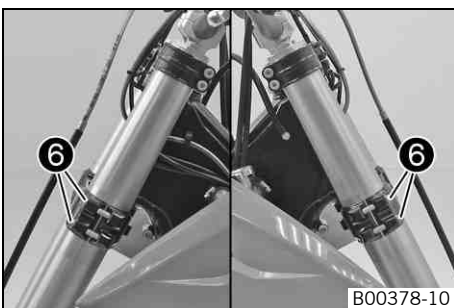
- Position the upper triple clamp with the steering.
- Mount screw ④ but do not tighten yet.



- Position the fork legs.

### Info

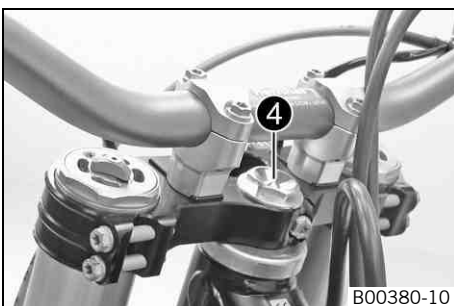
The upper milled groove in the fork leg must be flush with the top edge of the upper triple clamp.  
Position bleeder screws ⑤ toward the front.



- Fully tighten screws ⑥.

### Guideline

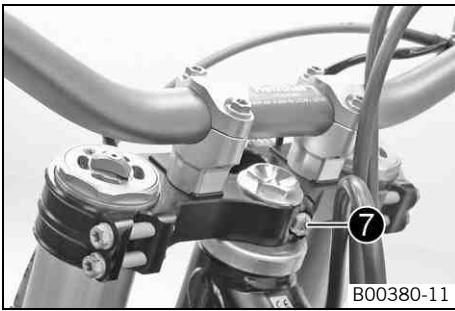
Screw, bottom triple clamp	M8	12 Nm (8.9 lbf ft)
----------------------------	----	--------------------



- Tighten screw ④.

### Guideline

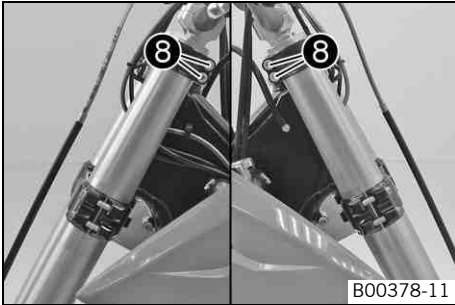
Screw, top steering head	M20x1.5	12 Nm (8.9 lbf ft)
--------------------------	---------	--------------------



- Mount and tighten screw 7.

Guideline

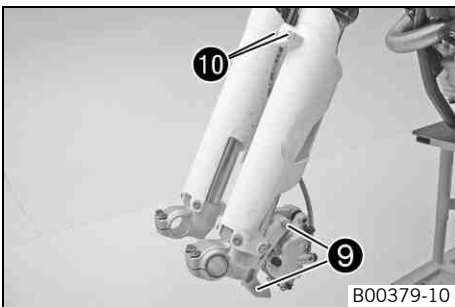
Screw, top steering stem	M8	17 Nm (12.5 lbf ft)	Loctite® 243™
--------------------------	----	------------------------	---------------



- Fully tighten screws 8.

Guideline

Screw, top triple clamp	M8	17 Nm (12.5 lbf ft)	
-------------------------	----	------------------------	--



- Position the brake caliper. Mount and tighten screws 9.

Guideline

Screw, front brake caliper	M8	25 Nm (18.4 lbf ft)	Loctite® 243™
----------------------------	----	------------------------	---------------

- Position the brake line and clamp. Mount and tighten screws 10.

### Subsequent work

- Install the front fender. (☛ p. 39)
- Mount the handlebar cushion.
- Install the start number plate. (☛ p. 39)
- Install the front wheel. ☛ (☛ p. 62)
- Check that the wiring harness, cables, and brake and clutch lines can move freely and are routed correctly.
- Check the steering head bearing play. (☛ p. 37)
- Remove the motorcycle from the lift stand. (☛ p. 32)

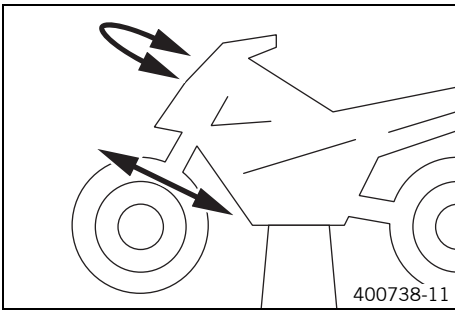
## Checking the steering head bearing play

**Warning**  
**Danger of accidents** Unstable vehicle handling from incorrect steering head bearing play.  
 - Adjust the steering head bearing play without delay. (Your authorized KTM workshop will be glad to help.)

**Info**  
 If the bike is ridden with play in the steering head bearing, the bearing and the bearing seats in the frame can become damaged over time.

### Preliminary work

- Raise the motorcycle with the lift stand. (☛ p. 32)



### Main work

- Move the handlebar to the straight-ahead position. Move the fork legs to and fro in the direction of travel.

No play should be noticeable in the steering head bearing.

- » If there is noticeable play present:
  - Adjust the play of the steering head bearing. 🛠️ (☞ p. 38)
- Move the handlebar to and fro over the entire steering range.

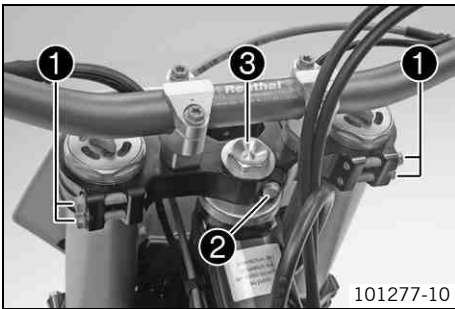
The handlebar must be able to move easily over the entire steering range. No resting locations should be noticeable.

- » If click positions are noticeable:
  - Adjust the play of the steering head bearing. 🛠️ (☞ p. 38)
  - Check the steering head bearing and change if necessary.

### Subsequent work

- Remove the motorcycle from the lift stand. (☞ p. 32)

## Adjusting the play of the steering head bearing 🛠️



### Preliminary work

- Raise the motorcycle with the lift stand. (☞ p. 32)
- Remove the handlebar cushion.

### Main work

- Loosen screws ❶. Remove screw ❷.
- Loosen and retighten screw ❸.

#### Guideline

Screw, top steering head	M20x1.5	12 Nm (8.9 lbf ft)
--------------------------	---------	--------------------

- Using a plastic hammer, tap lightly on the upper triple clamp to avoid strains.
- Fully tighten screws ❶.

#### Guideline

Screw, top triple clamp	M8	17 Nm (12.5 lbf ft)
-------------------------	----	---------------------

- Mount and tighten screw ❷.

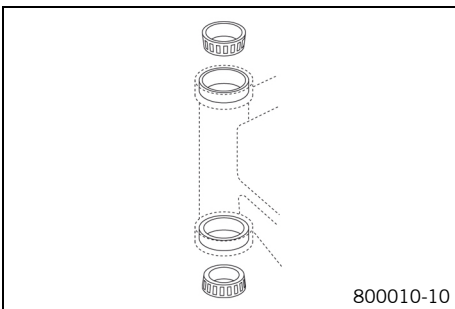
#### Guideline

Screw, top steering stem	M8	17 Nm (12.5 lbf ft)	Loctite® 243™
--------------------------	----	---------------------	---------------

### Subsequent work

- Check the steering head bearing play. (☞ p. 37)
- Remove the motorcycle from the lift stand. (☞ p. 32)
- Mount the handlebar cushion.

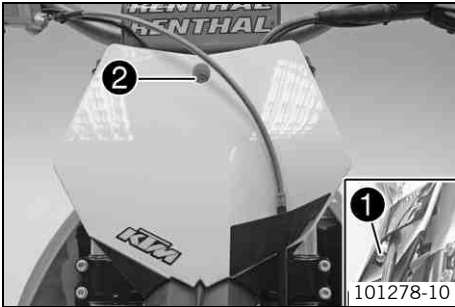
## Greasing the steering head bearing 🛠️



- Remove the lower triple clamp. 🛠️ (☞ p. 35)
- Install the lower triple clamp. 🛠️ (☞ p. 36)

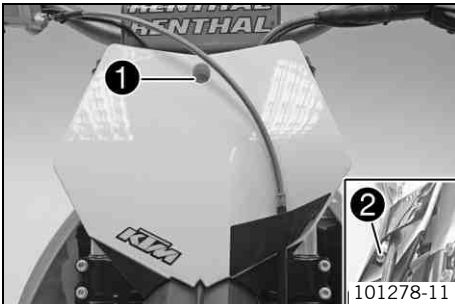


## Removing the start number plate



- Remove screw ❶ and take off the clamp.
- Remove screw ❷. Take off the start number plate.

## Installing the start number plate



- Position the start number plate. Mount and tighten screw ❶.

### Guideline

Remaining screws, chassis	M6	10 Nm (7.4 lbf ft)
---------------------------	----	--------------------

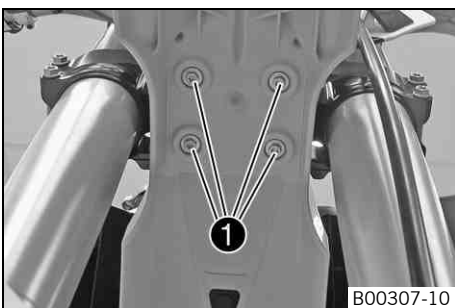


### Info

Make sure that the holding lugs engage in the fender.

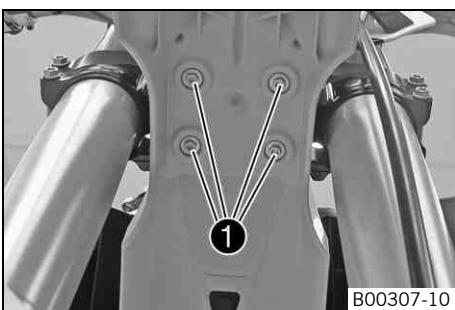
- Position the brake line and clamp. Mount and tighten screw ❷.

## Removing the front fender



- Remove screws ❶. Remove the front fender.
- Ensure that the spacers remain in place.

## Installing the front fender



- Ensure that the spacers are mounted in the fender.
- Position the front fender. Mount and tighten screws ❶.

### Guideline

Remaining screws, chassis	M6	10 Nm (7.4 lbf ft)
---------------------------	----	--------------------



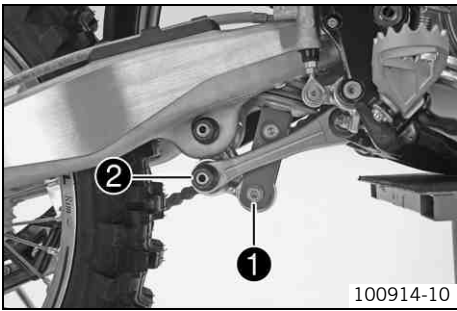
### Info

Make sure the holding lugs engage in the start number plate.

## Removing the shock absorber

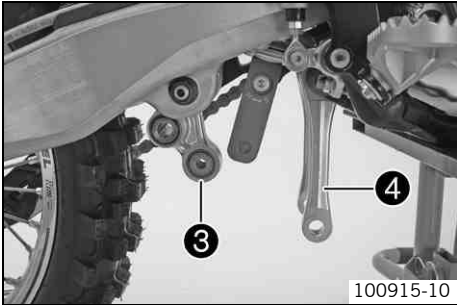
### Preliminary work

- Raise the motorcycle with the lift stand. (☛ p. 32)
- Remove the main silencer. (☛ p. 43)

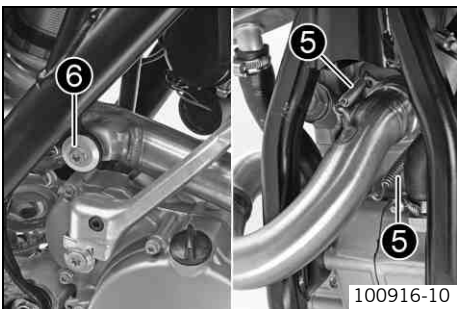


**Main work**

- Remove screw ①.
- Remove screw cap ②.



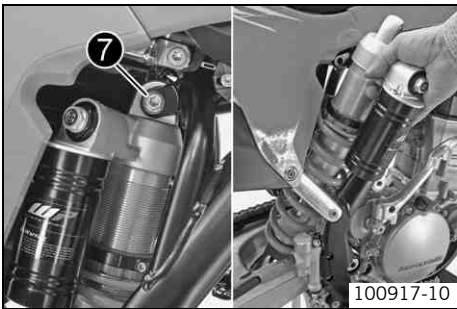
- Press angle lever ③ toward the rear.
- Press linkage lever ④ downward.



- Detach springs ⑤.

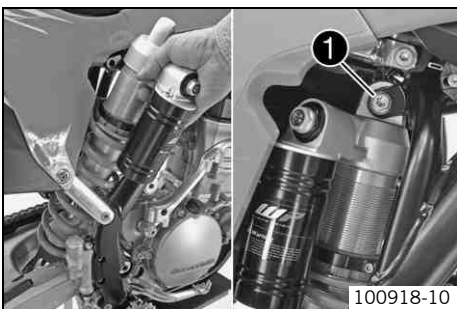
Spring hooks (50305017000)

- Remove screw ⑥.
- Press the shock absorber toward the rear and remove the exhaust manifold.



- Remove screw ⑦.
- Remove the shock absorber from the top.

## Installing the shock absorber ↩

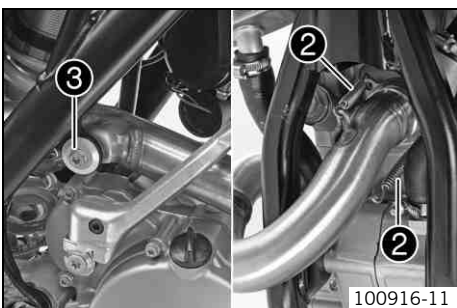


**Main work**

- Insert the shock absorber from above.
- Position the shock absorber.
- Mount and tighten screw ①.

Guideline

Screw, top shock absorber	M10	60 Nm (44.3 lbf ft)	Loctite® 2701
---------------------------	-----	------------------------	---------------



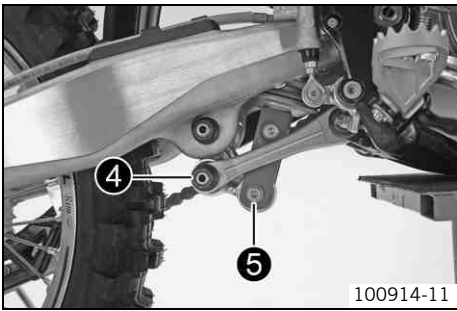
- Position the exhaust manifold.
- Attach springs ②.

Spring hooks (50305017000)

- Mount and tighten screw ③.

Guideline

Remaining screws, chassis	M8	25 Nm (18.4 lbf ft)	
---------------------------	----	------------------------	--



- Position the angle lever and linkage lever.
- Mount and tighten screw cap ④.

Guideline

Nut, linkage lever to angle lever	M14x1.5	80 Nm (59 lbf ft)
-----------------------------------	---------	-------------------

- Mount and tighten screw ⑤.

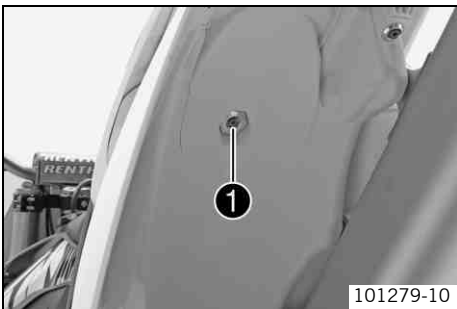
Guideline

Screw, bottom shock absorber	M10	60 Nm (44.3 lbf ft)	Loctite® 2701
------------------------------	-----	---------------------	---------------

**Subsequent work**

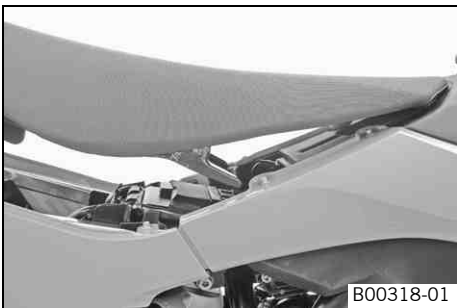
- Install the main silencer. (☛ p. 43)
- Remove the motorcycle from the lift stand. (☛ p. 32)

**Removing the seat**



- Remove screw ①.
- Lift up the seat at the rear, pull it back and then remove it from above.

**Mounting the seat**

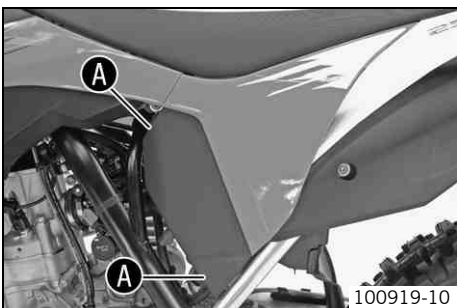


- Hook in the front of the seat at the collar bushing of the fuel tank, lower it at the rear and simultaneously it push forward.
- Make sure that the seat is correctly locked in.
- Mount and tighten the screw of the seat fixation.

Guideline

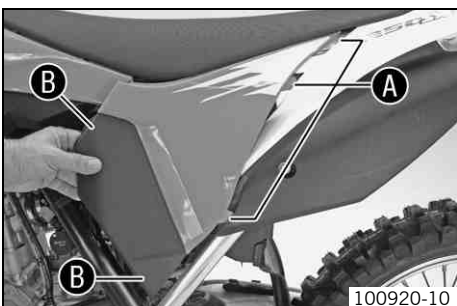
Remaining screws, chassis	M6	10 Nm (7.4 lbf ft)
---------------------------	----	--------------------

**Removing the air filter box lid**



- Pull off the air filter box lid in area ① sideways and remove it toward the front.

**Installing the air filter box lid**



- Insert the air filter box lid into the rear area ① and clip it into the front area ②.

## Removing the air filter

### Note

**Engine failure** Unfiltered intake air has a negative effect on the service life of the engine.

- Never ride the vehicle without an air filter since dust and dirt can get into the engine and result in increased wear.



### Warning

**Environmental hazard** Hazardous substances cause environmental damage.

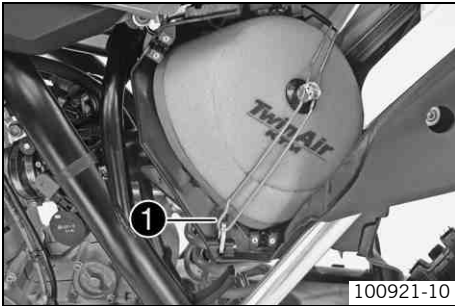
- Oil, grease, filters, fuel, cleaners, brake fluid, etc., should be disposed of as stipulated in applicable regulations.

### Preliminary work

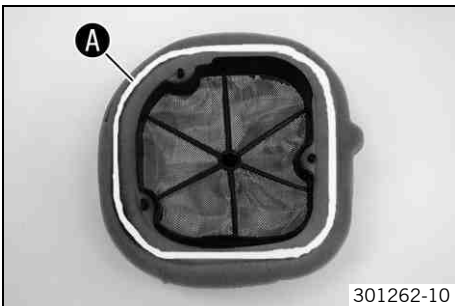
- Remove the air filter box lid. ( p. 41)

### Main work

- Detach air filter holder **1** at the bottom and swing it to one side. Remove the air filter with the air filter support.
- Remove the air filter from the air filter support.




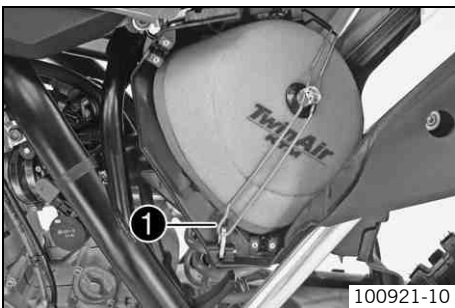
## Installing the air filter



### Main work

- Mount the clean air filter onto the air filter support.
- Apply grease to the air filter around area **A**.

Long-life grease ( p. 98)



- Put in both parts together, position them and fix them with air filter holder **1**.



### Info

If the air filter is not mounted correctly, dust and dirt may enter the engine and cause damage.

### Subsequent work

- Install the air filter box lid. ( p. 41)

## Cleaning the air filter and air filter box



### Warning

**Environmental hazard** Hazardous substances cause environmental damage.




- Oil, grease, filters, fuel, cleaners, brake fluid, etc., should be disposed of as stipulated in applicable regulations.



### Info

Do not clean the air filter with fuel or petroleum since these substances attack the foam.

### Preliminary work

- Remove the air filter box lid. ( p. 41)
- Remove the air filter.  ( p. 42)



### Main work

- Wash the air filter thoroughly in special cleaning liquid and allow it to dry properly.

Air filter cleaner (☛ p. 98)



### Info

Only press the air filter to dry it, never wring it out.

- Oil the dry air filter with a high quality filter oil.

Oil for foam air filter (☛ p. 98)

- Clean the air filter box.
- Clean the intake flange and check it for damage and tightness.

### Follow-up work

- Install the air filter. ☛ (☛ p. 42)
- Install the air filter box lid. (☛ p. 41)

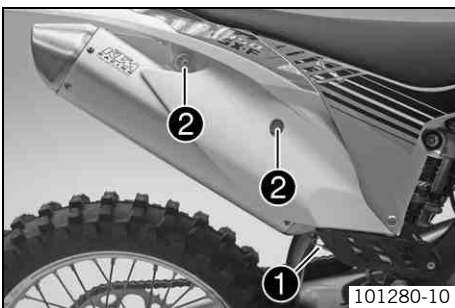
## Removing the main silencer



### Warning

**Danger of burns** The exhaust system gets very hot when the vehicle is driven.

- Allow the exhaust system to cool down. Do not touch hot components.

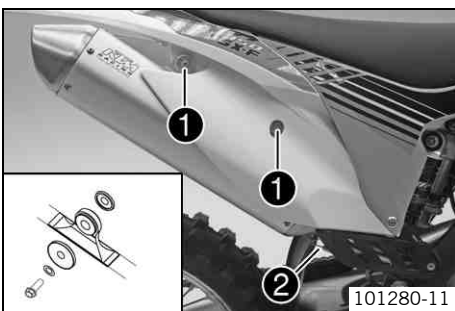


- Disconnect spring ❶.

Spring hooks (50305017000)

- Remove screws ❷ and take off the main silencer.

## Installing the main silencer



- Position the main silencer. Mount and tighten screws ❶.

Guideline

Remaining screws, chassis	M6	10 Nm (7.4 lbf ft)
---------------------------	----	--------------------

- Reconnect spring ❷.

Spring hooks (50305017000)

## Changing the glass fiber yarn filling of the main silencer ☛



### Warning

**Danger of burns** The exhaust system gets very hot when the vehicle is driven.

- Allow the exhaust system to cool down. Do not touch hot components.

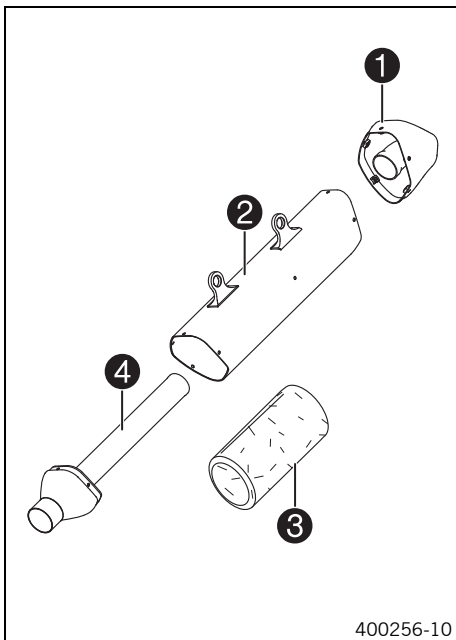


### Info

Over a period, the fibers of the insulating material vanish into the air, and the silencer "burns out". Not only is the noise level higher, the performance characteristic changes.

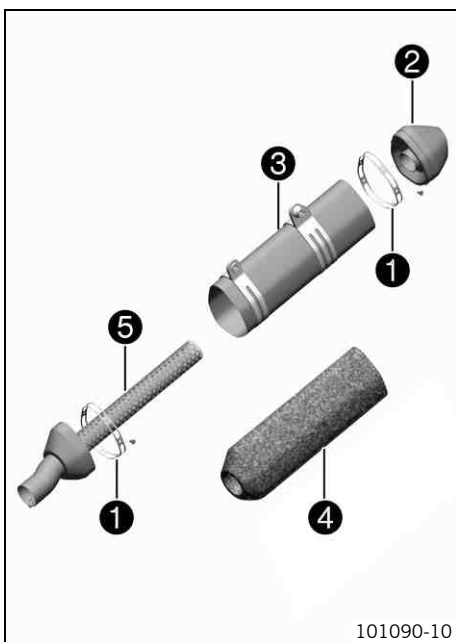
### Preliminary work

- Remove the main silencer. (☛ p. 43)



**(SX-F EU/USA, XC-F)**

- Remove all screws from the main silencer. Remove locking cap ❶ and outer tube ❷.
- Pull the glass fiber yarn filling ❸ from inner tube ❹.
- Clean the parts that are to be reinstalled.
- Mount the new glass fiber yarn filling ❸ on the inner tube.
- Slide outer tube ❷ over the glass fiber yarn filling.
- Insert locking cap ❶ into the outer tube.
- Mount and tighten all screws.



**(SX-F ROCZEN REPLICA)**

- Drill out all rivets on the main silencer and remove steel bands ❶. Carefully hammer the rivets inward.
- Remove locking cap ❷ and outer tube ❸.
- Pull the glass fiber yarn filling ❹ from inner tube ❺.
- Clean the parts that are to be reinstalled.
- Wind adhesive tape around the end of the inner tube.
- Mount the new glass fiber yarn filling ❹ on the inner tube.
- Remove the adhesive tape from the inner tube.
- Slide outer tube ❸ over the glass fiber yarn filling.
- Insert locking cap ❷ into the outer tube.
- Position steel bands ❶ and mount the rivets.

**Follow-up work**

- Install the main silencer. (☛ p. 43)

**Removing the fuel tank** 🐉



**Danger**

**Fire hazard** Fuel is highly flammable.

- Never refuel the vehicle near open flames or burning cigarettes, and always switch off the engine first. Be careful that no fuel is spilt, especially on hot vehicle components. Clean up spilt fuel immediately.
- Fuel in the fuel tank expands when warm and can escape if the tank is overfilled. See the notes on refueling.



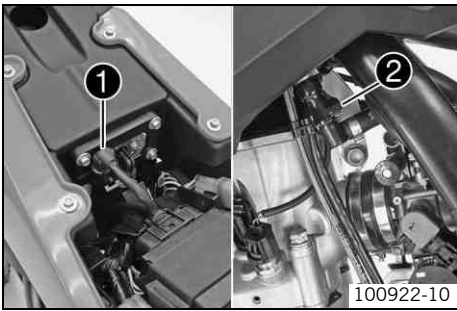
**Warning**

**Danger of poisoning** Fuel is poisonous and a health hazard.

- Avoid contact between fuel and skin, eyes and clothing. Do not inhale fuel vapors. If fuel gets into your eyes, rinse immediately with water and contact a doctor. Wash affected skin areas immediately with soap and water. If fuel is swallowed, contact a doctor immediately. Change clothing that has come into contact with fuel. Store fuel in a suitable canister according to regulations and keep it out of the reach of children.

**Preliminary work**

- Remove the seat. (☛ p. 41)



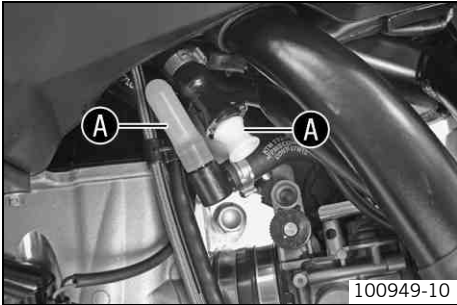
**Main work**

- Disconnect electric plug-in connection ❶ of the fuel pump.
- Thoroughly clean plug-in connection ❷ of the fuel line using compressed air.



**Info**

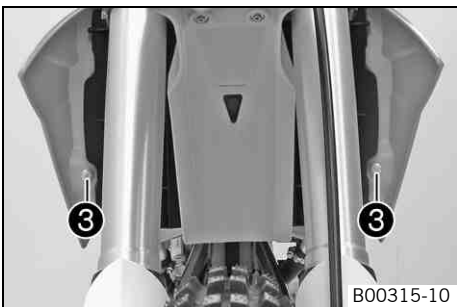
Under no circumstances should dirt enter into the fuel line. Dirt in the fuel line clogs the injection valve.



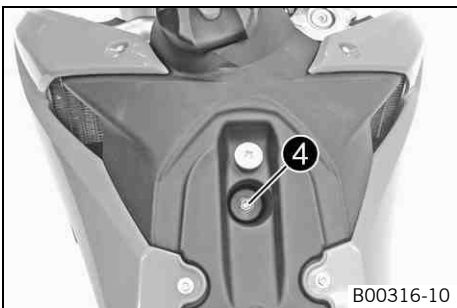
- Disconnect the plug-in connection of the fuel line.
- Mount wash cap set A.

Wash cap set (81212016000)

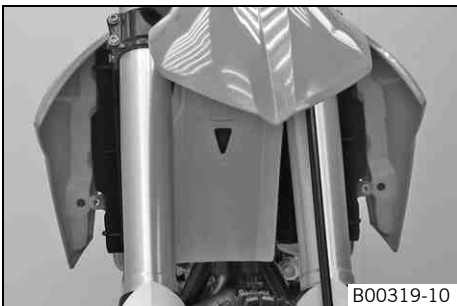
- Remove the tube from the fuel tank breather.



- Remove screws ❸ with the collar bushing.



- Remove screw ❹ with the rubber bushing.



- Pull both spoilers off of the sides of the radiator bracket and lift off the fuel tank.

## Installing the fuel tank ↩



**Danger**

**Fire hazard** Fuel is highly flammable.

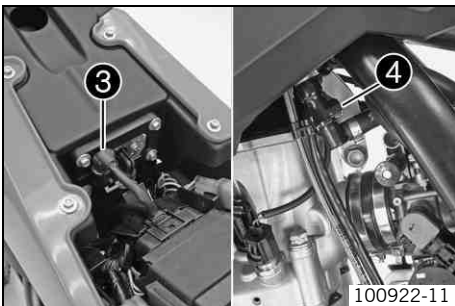
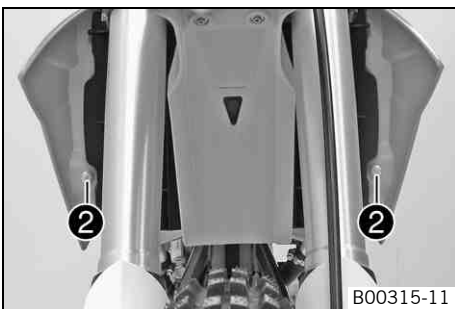
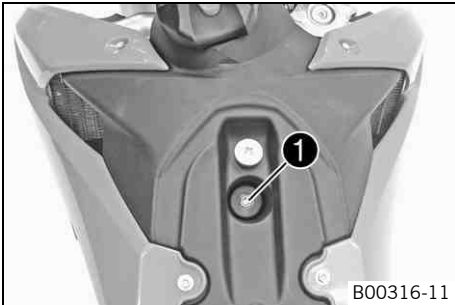
- Never refuel the vehicle near open flames or burning cigarettes, and always switch off the engine first. Be careful that no fuel is spilt, especially on hot vehicle components. Clean up spilt fuel immediately.
- Fuel in the fuel tank expands when warm and can escape if the tank is overfilled. See the notes on refueling.



**Warning**

**Danger of poisoning** Fuel is poisonous and a health hazard.

- Avoid contact of the fuel with skin, eyes and clothing. Do not inhale fuel vapors. If fuel gets into your eyes, rinse immediately with water and contact a doctor. Wash affected skin areas immediately with soap and water. If fuel is swallowed, contact a doctor immediately. Change clothing that has come into contact with fuel.



**Preliminary work**

- Remove the seat. (☞ p. 41)
- Remove the fuel tank. ☞ (☞ p. 44)
- Check the throttle cable routing. (☞ p. 51)

**Main work**

- Position the fuel tank and fit the two spoilers to the sides of the radiator bracket.
- Make sure that no cables are trapped or damaged.
- Mount the fuel tank breather.
- Mount and tighten screw **1** with the rubber bushing.

Guideline

Remaining screws, chassis	M6	10 Nm (7.4 lbf ft)
---------------------------	----	--------------------

- Mount and tighten screws **2** with the collar bushing.

Guideline

Remaining screws, chassis	M6	10 Nm (7.4 lbf ft)
---------------------------	----	--------------------

- Connect the electrical plug-in connection **3**.
- Thoroughly clean the plug-in connection of the fuel line using compressed air.



**Info**

Under no circumstances should dirt enter into the fuel line. Dirt in the fuel line clogs the injection valve.

- Remove the wash cap set. Lubricate the O-ring and connect plug-in connection **4** of the fuel line.



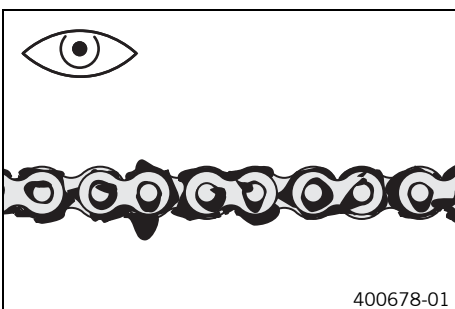
**Info**

Route the cable and fuel line at a safe distance from the exhaust system.

**Subsequent work**

- Mount the seat. (☞ p. 41)

**Checking for chain dirt accumulation**



- Check the chain for coarse dirt accumulation.
  - » If the chain is very dirty:
    - Clean the chain. (☞ p. 47)



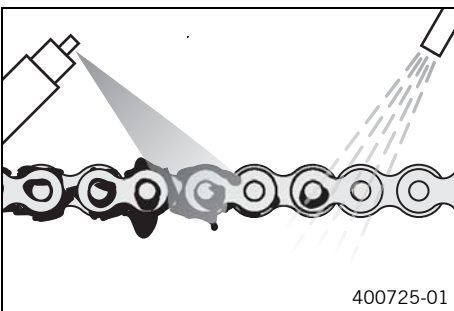
## Cleaning the chain

**Warning**  
**Danger of accidents** Oil or grease on the tires reduces their grip.  
 – Remove oil and grease with a suitable cleaning material.

**Warning**  
**Danger of accidents** Reduced braking efficiency due to oil or grease on the brake discs.  
 – Always keep the brake discs free of oil and grease, and clean them with brake cleaner when necessary.

**Warning**  
**Environmental hazard** Hazardous substances cause environmental damage.  
 – Oil, grease, filters, fuel, cleaners, brake fluid, etc., should be disposed of as stipulated in applicable regulations.

**Info**  
 The service life of the chain depends largely on its maintenance.



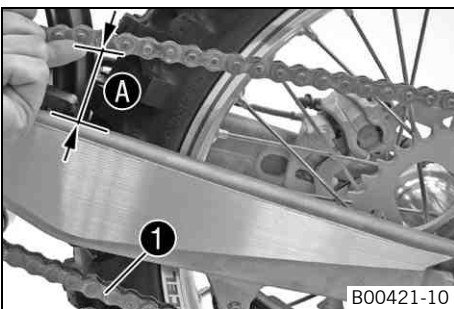
– Clean the chain regularly and then treat with chain spray.

Chain cleaner (☛ p. 98)
Off-road chain spray (☛ p. 98)

## Checking the chain tension

**Warning**  
**Danger of accidents** Danger caused by incorrect chain tension.

– If the chain tension is too high, the components of the secondary power train (chain, engine sprocket, rear sprocket, bearings in transmission and rear wheel) are under additional load. Apart from premature wear, in extreme cases the chain can rupture or the countershaft of the transmission can break. On the other hand, if the chain is loose, it can fall off the engine sprocket or the rear sprocket and block the rear wheel or damage the engine. Check the chain tension and correct if necessary.



### Preliminary work

– Raise the motorcycle with the lift stand. (☛ p. 32)

### Main work

– Push the chain at the end of the chain sliding component upwards to measure the chain tension **A**.

**Info**  
 The lower chain section **1** must be taut.  
 Chain wear is not always even, so you should repeat this measurement at different chain positions.

Chain tension	55... 58 mm (2.17... 2.28 in)
---------------	-------------------------------

» If the chain tension does not meet specifications:  
 – Adjust the chain tension. (☛ p. 48)

### Subsequent work

– Remove the motorcycle from the lift stand. (☛ p. 32)

## Adjusting the chain tension

- Warning**  
**Danger of accidents** Danger caused by incorrect chain tension.
- If the chain tension is too high, the components of the secondary power train (chain, engine sprocket, rear sprocket, bearings in transmission and rear wheel) are under additional load. Apart from premature wear, in extreme cases the chain can rupture or the countershaft of the transmission can break. On the other hand, if the chain is loose, it can fall off the engine sprocket or the rear sprocket and block the rear wheel or damage the engine. Check the chain tension and correct if necessary.

### Preliminary work

- Raise the motorcycle with the lift stand. (☛ p. 32)
- Check the chain tension. (☛ p. 47)

### Main work

- Loosen nut ①.
- Loosen nuts ②.
- Adjust the chain tension by turning the adjusting screws ③ left and right.

#### Guideline

Chain tension	55... 58 mm (2.17... 2.28 in)
Turn adjusting screws ③ on the left and right so that the markings on the left and right chain adjusters are in the same position relative to the reference marks A. The rear wheel is then correctly aligned.	

- Tighten nuts ②.
- Make sure that chain adjusters ④ are fitted correctly on adjusting screws ③.
- Tighten nut ①.

#### Guideline

Nut, rear wheel spindle	M20x1.5	80 Nm (59 lbf ft)
-------------------------	---------	-------------------



### Info

The wide adjustment range of the chain adjusters (32 mm (1.18 in)) enables different secondary ratios with the same chain length. Chain adjusters ④ can be turned by 180°.

### Subsequent work

- Remove the motorcycle from the lift stand. (☛ p. 32)

## Checking the chain, rear sprocket, engine sprocket and chain guide

### Preliminary work

- Raise the motorcycle with the lift stand. (☛ p. 32)

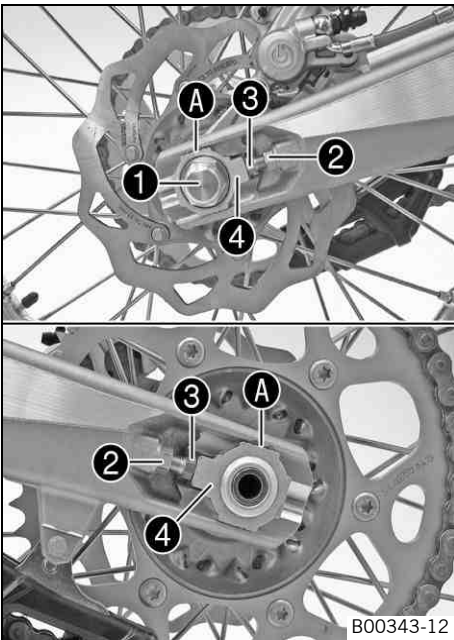
### Main work

- Shift gear to neutral.
- Check the rear sprocket and engine sprocket for wear.
  - » If the rear sprocket and engine sprocket are worn:
    - Replace the rear sprocket or engine sprocket. ☛

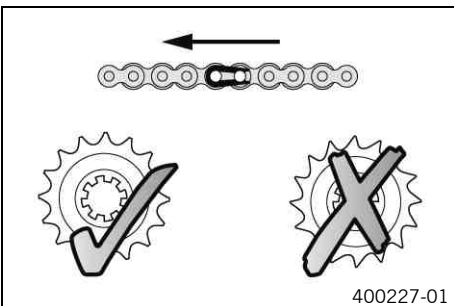


### Info

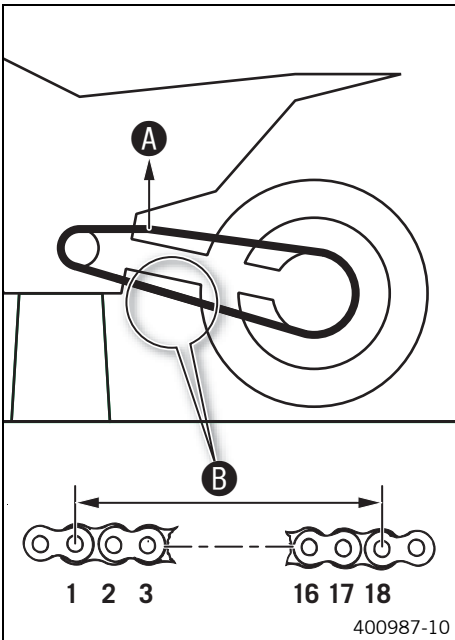
The engine sprocket, rear sprocket and chain should always be replaced together.



B00343-12



400227-01



- Pull on the upper part of the chain with the specified weight **A**.

Guideline

Weight, chain wear measurement	10... 15 kg (22... 33 lb.)
--------------------------------	----------------------------

- Measure the distance **B** of 18 chain links in the lower chain section.

**i** **Info**

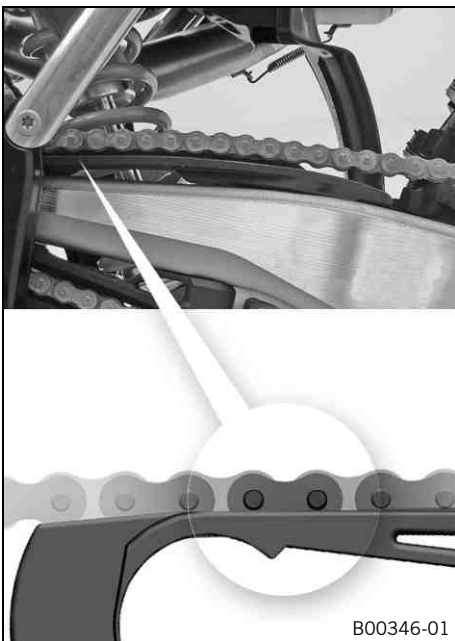
Chain wear is not always even, so you should repeat this measurement at different chain positions.

Maximum distance <b>B</b> at the longest chain section	272 mm (10.71 in)
--	-------------------

- » If the distance **B** is greater than the specified measurement:
  - Replace the chain. 🛠️

**i** **Info**

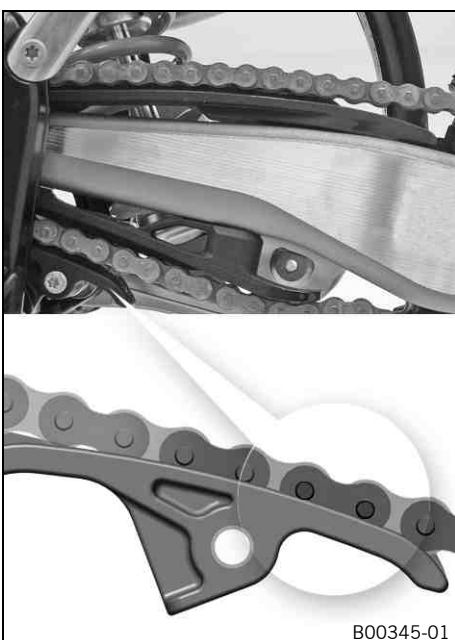
When the chain is replaced, the rear sprocket and engine sprocket should also be changed.  
New chains wear out faster on old, worn sprockets.



- Check the chain sliding guard for wear.
  - » If the bottom edge of the chain bolt is in line with or below the chain sliding guard:
    - Change the chain sliding guard. 🛠️
- Check that the chain sliding guard is firmly seated.
  - » If the chain sliding guard is loose:
    - Tighten the chain sliding guard.

Guideline

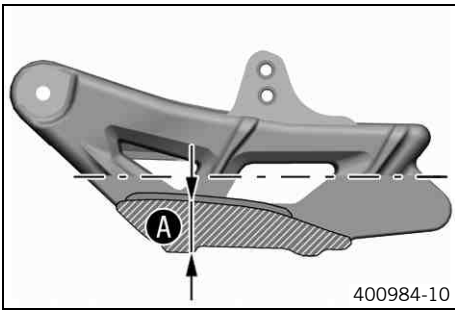
Screw, chain sliding guard	M6	6 Nm (4.4 lbf ft)	<b>Loctite® 243™</b>
----------------------------	----	----------------------	----------------------



- Check the chain sliding piece for wear.
  - » If the bottom edge of the chain bolt is in line with or below the chain sliding piece:
    - Change the chain sliding piece. 🛠️
- Check that the chain sliding piece is firmly seated.
  - » If the chain sliding piece is loose:
    - Tighten the chain sliding piece.

Guideline

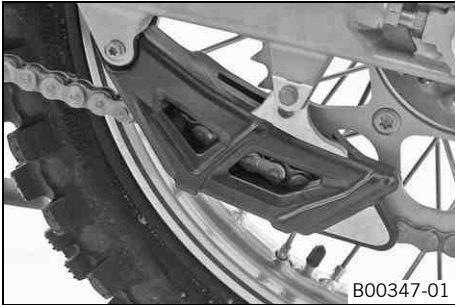
Screw, chain sliding piece	M8	15 Nm (11.1 lbf ft)
----------------------------	----	------------------------



- Measure material thickness **A** at the bottom of the chain guide.

Minimum distance <b>A</b> at the lowest point	12 mm (0.47 in)
---	-----------------

- » If distance **A** is less than the specified measurement:
  - Change the chain guide. 🛠️



- Check that the chain guide is firmly seated.

- » If the chain guide is loose:
  - Tighten the chain guide.

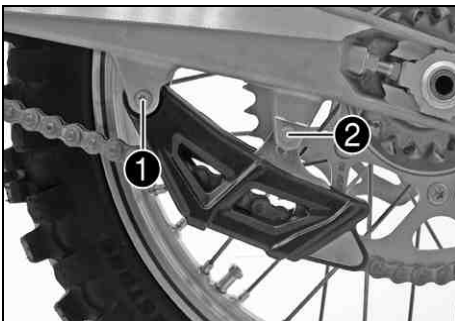
Guideline

Remaining screws, chassis	M6	10 Nm (7.4 lbf ft)
---------------------------	----	--------------------

### Subsequent work

- Remove the motorcycle from the lift stand. (👉 p. 32)

### Adjusting the chain guide 🛠️



- Loosen screw **1**. Remove screw **2**. Swing the chain guide down.

#### Condition

Number of teeth: ≤ 44 teeth

- Insert collar bushing **3** in hole **A**. Position the chain guide.
- Mount and tighten screw **2**. Tighten screw **1**.

Guideline

Remaining screws, chassis	M6	10 Nm (7.4 lbf ft)
---------------------------	----	--------------------

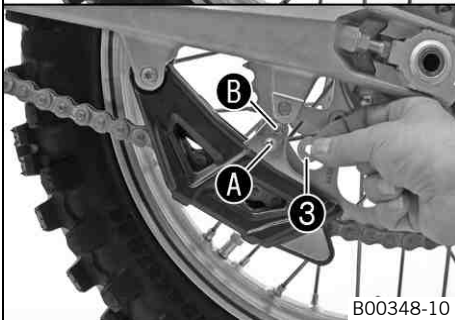
#### Condition

Number of teeth: ≥ 45 teeth

- Insert collar bushing **3** in hole **B**. Position the chain guide.
- Mount and tighten screw **2**. Tighten screw **1**.

Guideline

Remaining screws, chassis	M6	10 Nm (7.4 lbf ft)
---------------------------	----	--------------------



### Checking the frame 🛠️



- Check the frame for cracking and deformation.
  - » If the frame exhibits cracking or deformation due to a mechanical impact:
    - Change the frame. 🛠️




#### Info

A frame that has been damaged due to a mechanical impact must always be changed. Repair of the frame is not authorized by KTM.

## Checking the swingarm



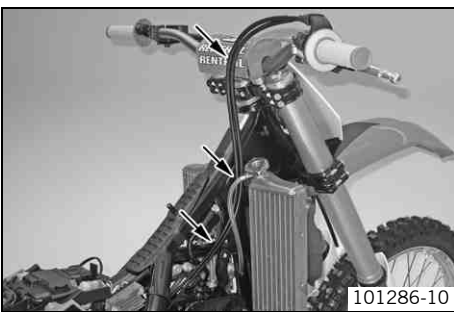
- Check the swingarm for damage, cracking, and deformation.
  - » If the swingarm shows signs of damage, cracking, or deformation:
    - Change the swingarm. 






### Info

A damaged swingarm must always be changed. Repair of the swingarm is not authorized by KTM.

## Checking the throttle cable routing



### Preliminary work

- Remove the seat. ( p. 41)
- Remove the fuel tank.  ( p. 44)




### Main work

- Check the throttle cable routing.

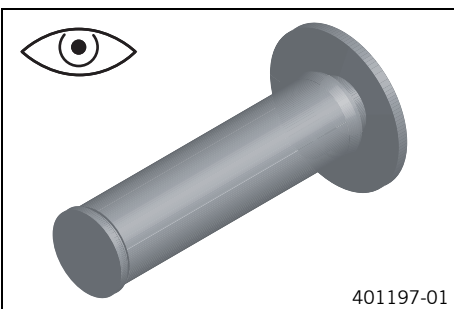
Both throttle cables must be routed to the throttle valve body side by side behind the handlebars and above the tank bearing.

- » If the throttle cable is not routed as specified:
  - Correct the throttle cable routing.


### Subsequent work

- Install the fuel tank.  ( p. 45)
- Mount the seat. ( p. 41)

## Checking the rubber grip




- Check the rubber grips on the handlebar for damage and wear and to ensure they are firmly seated.
  - » If a rubber grip is damaged, worn or loose:
    - Change and secure the rubber grip.

Rubber grip adhesive (00062030051) ( p. 99)

## Additionally securing the rubber grip



### Preliminary work

- Check the rubber grip. ( p. 51)

### Main work

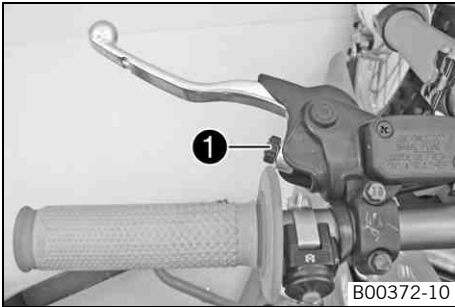
- Secure the rubber grip at two points using the securing wire.

Securing wire (54812016000)

Wire twister forceps (U6907854)

- ✓ The twisted wire ends face away from the hands and are bent toward the rubber grip.

## Adjusting the basic position of the clutch lever



- Adjust the basic setting of the clutch lever to your hand size by turning adjusting screw ❶.

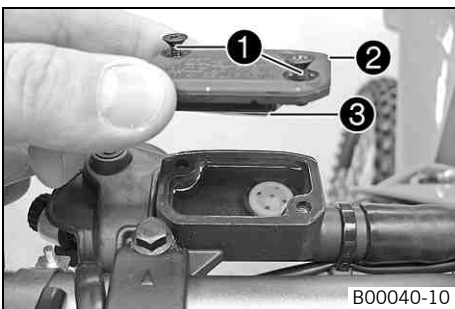
### Info

Turn the adjusting screw counterclockwise to decrease the distance between the clutch lever and the handlebar.  
Turn the adjusting screw clockwise to increase the distance between the clutch lever and the handlebar.  
The range of adjustment is limited.  
Turn the adjusting screw by hand only, and do not apply any force.  
Do not make any adjustments while riding!

## Checking the fluid level of the hydraulic clutch

### Info

The fluid level rises with increased wear of the clutch lining discs.



- Move the clutch fluid reservoir mounted on the handlebar to a horizontal position.
- Remove screws ❶.
- Remove cover ❷ with membrane ❸.
- Check the fluid level.

Fluid level below container rim	4 mm (0.16 in)
---------------------------------	----------------

- » If the fluid level does not meet specifications:
  - Correct the fluid level of the hydraulic clutch.

Brake fluid DOT 4 / DOT 5.1 (☞ p. 96)
---------------------------------------

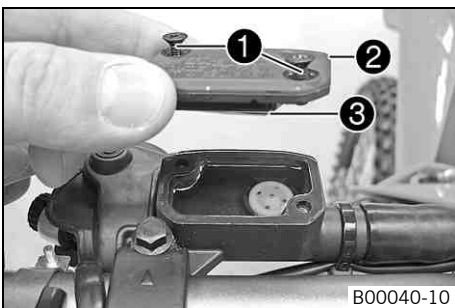
- Position the cover with the membrane. Mount and tighten the screws.

## Changing the hydraulic clutch fluid ☞

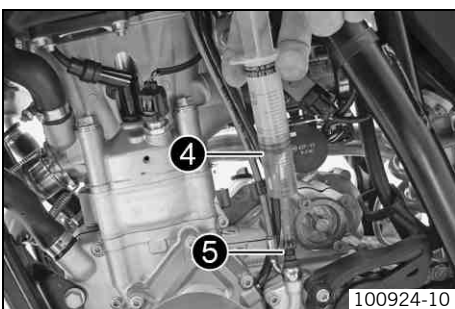
### Warning

**Environmental hazard** Hazardous substances cause environmental damage.

- Oil, grease, filters, fuel, cleaners, brake fluid, etc., should be disposed of as stipulated in applicable regulations.



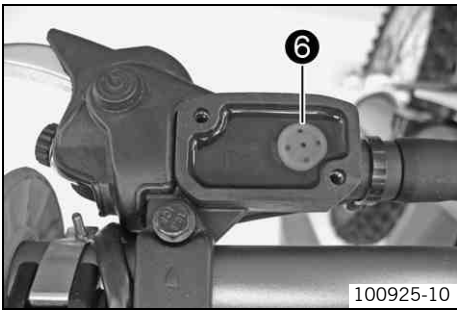
- Move the clutch fluid reservoir mounted on the handlebar to a horizontal position.
- Remove screws ❶.
- Remove cover ❷ with membrane ❸.



- Fill bleeding syringe ❹ with the appropriate hydraulic fluid.

Bleed syringe (50329050000)
Brake fluid DOT 4 / DOT 5.1 (☞ p. 96)

- On the slave cylinder, remove bleeder screw ❺ and mount bleeding syringe ❹.



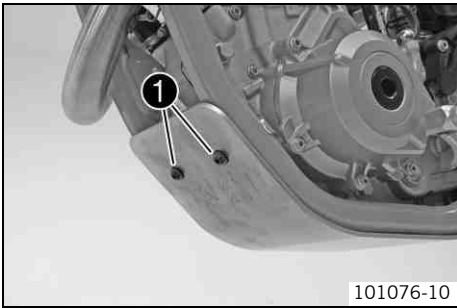
- Inject the liquid into the system until it escapes from hole ⑥ of the master cylinder without bubbles.
- To prevent overflow, drain fluid occasionally from the master cylinder reservoir.
- Remove the bleeding syringe. Mount and tighten screws bleeder screw.
- Correct the fluid level of the hydraulic clutch.

Guideline

Fluid level below container rim	4 mm (0.16 in)
---------------------------------	----------------

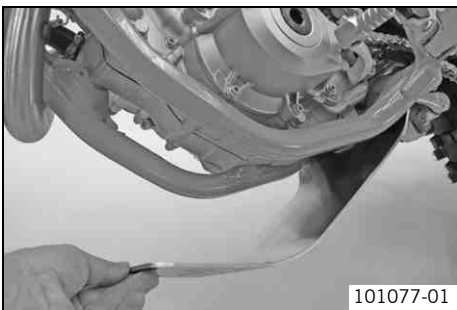
- Position the cover with the membrane. Mount and tighten the screws.

## Removing the engine guard (SX-F ROCZEN REPLICA)



- Remove screws ① and the holding bracket. Remove the engine guard.

## Installing the engine guard (SX-F ROCZEN REPLICA)



- Attach the engine guard on the frame at the rear and swing up at the front.
- Position the holding bracket. Mount and tighten the screws.

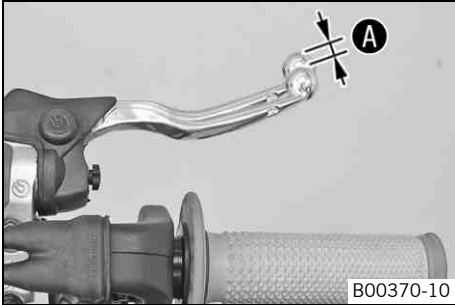
Guideline

Remaining screws, chassis	M6	10 Nm (7.4 lbf ft)
---------------------------	----	--------------------

## Checking the free travel of the hand brake lever

**Warning**  
**Danger of accidents** Brake system failure.

- If there is no free travel on the hand brake lever, pressure builds up in the front brake circuit. The front brake can fail due to overheating. Adjust free travel on hand brake lever according to specifications.

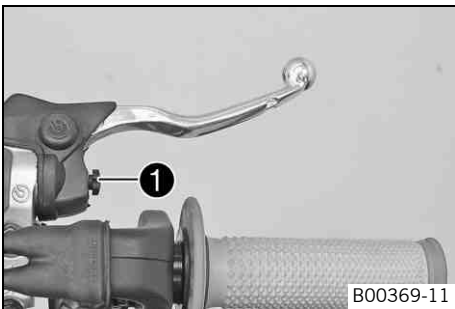


- Push the hand brake lever forward and check free travel **A**.

Free travel of hand brake lever	$\geq 3 \text{ mm } (\geq 0.12 \text{ in})$
---------------------------------	---

- » If the free travel does not meet specifications:
  - Adjust the basic position of the hand brake lever. (☛ p. 54)

## Adjusting the basic position of the hand brake lever



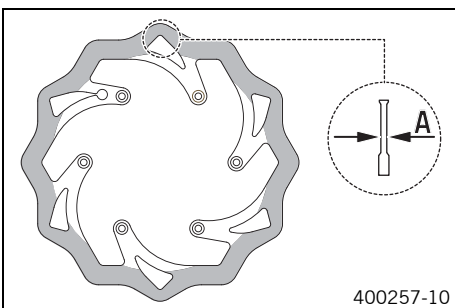
- Check the free travel of the hand brake lever. (☛ p. 54)
- Adjust the basic setting of the hand brake lever to your hand size by turning adjusting screw **1**.

**i Info**  
 Turn the adjusting screw clockwise to increase the distance between the hand brake lever and the handlebar.  
 Turn the adjusting screw counterclockwise to decrease the distance between the hand brake lever and the handlebar.  
 The range of adjustment is limited.  
 Turn the adjusting screw by hand only, and do not apply any force.  
 Do not make any adjustments while riding!

## Checking the brake discs

**Warning**  
**Danger of accidents** Reduced braking efficiency due to worn brake disc(s).

- Change the worn brake disc(s) without delay. (Your authorized KTM workshop will be glad to help.)



- Check the thickness of the front and rear brake discs at several places on the disk to see if it conforms to measurement **A**.

**i Info**  
 Wear reduces the thickness of the brake disc around the area used by the brake linings.

Brake discs - wear limit	
Front	2.5 mm (0.098 in)
Rear	3.5 mm (0.138 in)

- » If the brake disc thickness is less than the specified value:
  - Change the brake disc.
- Check the front and rear brake discs for damage, cracking and deformation.
  - » If the brake disc shows signs of damage, cracking or deformation:
    - Change the brake disc.



## Checking the front brake fluid level



### Warning

**Danger of accidents** Failure of the brake system.

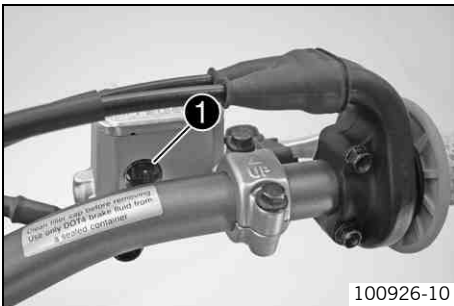
- If the brake fluid level falls below the **MIN** mark, this indicates a leakage in the brake system or worn-out brake linings. Check the brake system and do not continue riding. (Your authorized KTM workshop will be glad to help.)



### Warning

**Danger of accidents** Reduced braking efficiency due to old brake fluid.

- Change the brake fluid of the front and rear brake according to the service schedule. (Your authorized KTM workshop will be glad to help.)



100926-10

- Move the brake fluid reservoir mounted on the handlebar to a horizontal position.
- Check the brake fluid level in the viewer ❶.
  - » If the brake fluid is below the **MIN** marking:
    - Add front brake fluid. 🛠️ (📄 p. 55)

## Adding front brake fluid 🛠️



### Warning

**Danger of accidents** Failure of the brake system.

- If the brake fluid level falls below the **MIN** mark, this indicates a leakage in the brake system or worn-out brake linings. Check the brake system and do not continue riding. (Your authorized KTM workshop will be glad to help.)



### Warning

**Skin irritation** Brake fluid can cause skin irritation on contact.

- Avoid contact with skin and eyes, and keep out of the reach of children.
- Wear suitable protective clothing and goggles.
- If brake fluid comes into contact with the eyes, flush the eyes thoroughly with water and consult a physician immediately.



### Warning

**Danger of accidents** Reduced braking efficiency due to old brake fluid.

- Change the brake fluid of the front and rear brake according to the service schedule. (Your authorized KTM workshop will be glad to help.)



### Warning

**Environmental hazard** Hazardous substances cause environmental damage.

- Oil, grease, filters, fuel, cleaners, brake fluid, etc., should be disposed of as stipulated in applicable regulations.

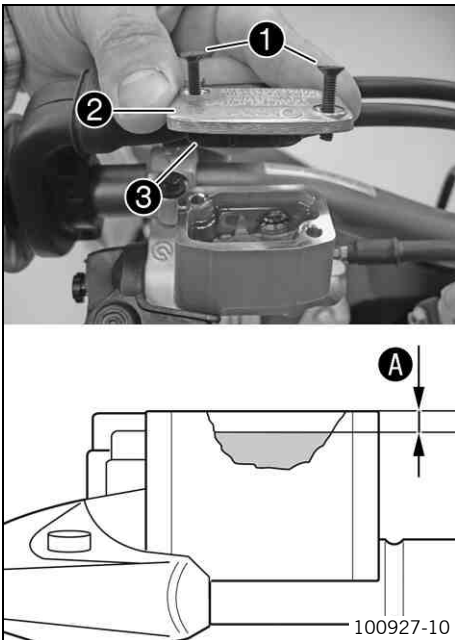


### Info

Never use DOT 5 brake fluid! It is silicone-based and purple in color. Oil seals and brake lines are not designed for DOT 5 brake fluid.

Avoid contact between brake fluid and painted parts. Brake fluid attacks paint!

Use only clean brake fluid from a sealed container.



- Move the brake fluid reservoir mounted on the handlebar to a horizontal position.
- Remove screws ❶.
- Remove cover ❷ with membrane ❸.
- Add brake fluid to level A.

Guideline

Dimension A (brake fluid level below top edge of container)	5 mm (0.2 in)
---	---------------

Brake fluid DOT 4 / DOT 5.1 (☞ p. 96)
---------------------------------------

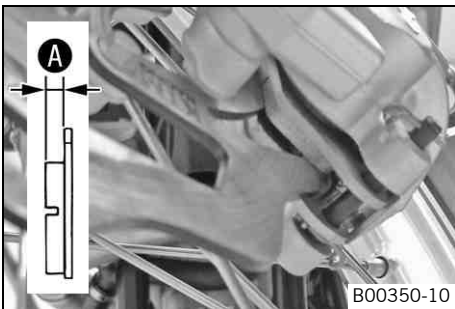
- Position the cover with the membrane. Mount and tighten the screws.

**i Info**  
Clean up overflowed or spilt brake fluid immediately with water.

## Checking the front brake linings

**⚠ Warning**  
**Danger of accidents** Reduced braking efficiency caused by worn brake linings.

- Change worn brake linings immediately. (Your authorized KTM workshop will be glad to help.)



- Check the brake linings for minimum thickness A.

Minimum thickness A	≥ 1 mm (≥ 0.04 in)
---------------------	--------------------

- » If the minimum thickness is less than specified:
  - Change the front brake linings. ☞ (☞ p. 56)
- Check the brake linings for damage and cracking.
  - » If damage or cracking is visible:
    - Change the front brake linings. ☞ (☞ p. 56)

## Changing the front brake linings ☞

**⚠ Warning**  
**Danger of accident** Brake system failure.

- Maintenance work and repairs must be carried out professionally. (Your authorized KTM workshop will be glad to help.)

**⚠ Warning**  
**Skin irritation** Brake fluid can cause skin irritation on contact.

- Avoid contact with skin and eyes, and keep out of the reach of children.
- Wear suitable protective clothing and goggles.
- If brake fluid comes into contact with the eyes, flush the eyes thoroughly with water and consult a physician immediately.

**⚠ Warning**  
**Danger of accidents** Reduced braking efficiency due to old brake fluid.

- Change the brake fluid of the front and rear brake according to the service schedule. (Your authorized KTM workshop will be glad to help.)

**☼ Warning**  
**Environmental hazard** Hazardous substances cause environmental damage.

- Oil, grease, filters, fuel, cleaners, brake fluid, etc., should be disposed of as stipulated in applicable regulations.



**Warning**

**Environmental hazard** Hazardous substances cause environmental damage.

- Oil, grease, filters, fuel, cleaners, brake fluid, etc., should be disposed of as stipulated in applicable regulations.

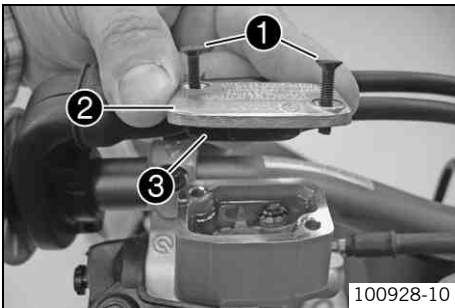


**Info**

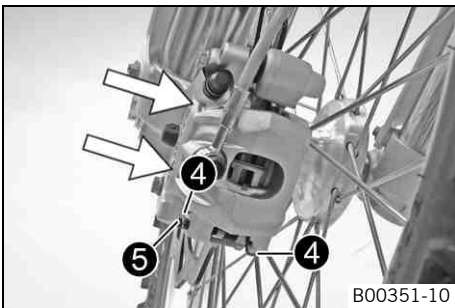
Never use DOT 5 brake fluid! It is silicone-based and purple in color. Oil seals and brake lines are not designed for DOT 5 brake fluid.

Avoid contact between brake fluid and painted parts. Brake fluid attacks paint!

Use only clean brake fluid from a sealed container.



- Move the brake fluid reservoir mounted on the handlebar to a horizontal position.
- Remove screws 1.
- Remove cover 2 with membrane 3.

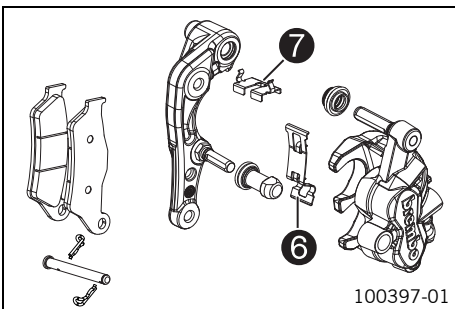


- Press the brake caliper toward the brake disc to push back the brake pistons and ensure that no brake fluid runs out of the brake fluid reservoir, sucking it off if it does.

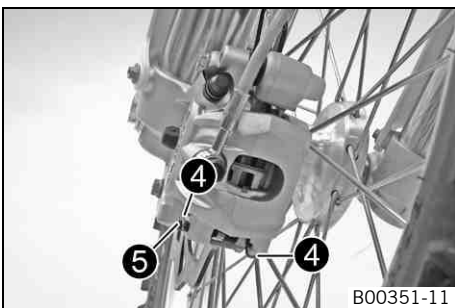


**Info**

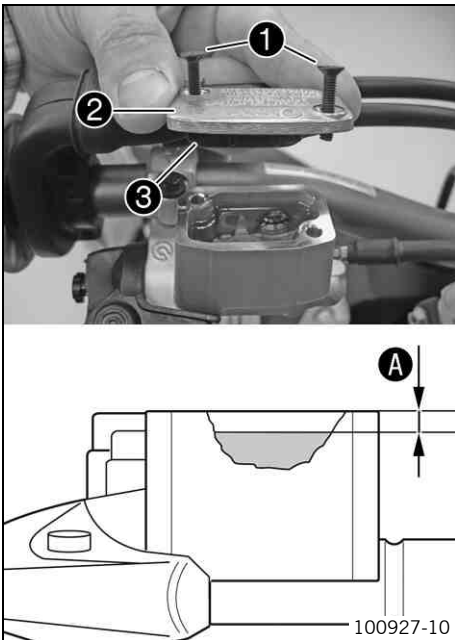
Make sure when pushing back the brake pistons that you do not press the brake caliper against the spokes.



- Remove the locking split pins 4, pull out pin 5 and remove the brake linings.
- Clean the brake caliper and brake caliper support.
- Check that leaf spring 6 in the brake caliper and sliding plate 7 in the brake caliper support are seated correctly.



- Insert the brake linings, insert pin 5, and mount locking split pins 4.
- Operate the hand brake lever repeatedly until the brake linings are in contact with the brake disc and there is a pressure point.



- Add brake fluid to level **A**.

Guideline

Dimension <b>A</b> (brake fluid level below top edge of container)	5 mm (0.2 in)
--	---------------

Brake fluid DOT 4 / DOT 5.1 (☞ p. 96)
---------------------------------------

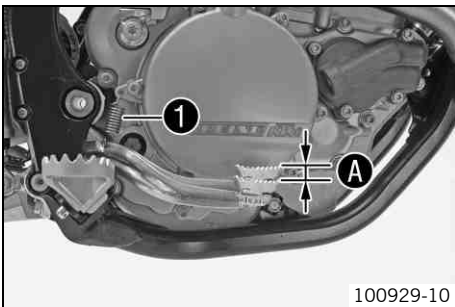
- Position cover **2** with membrane **3**.
- Mount and tighten screws **1**.

**i Info**  
Clean up overflowed or spilt brake fluid immediately with water.

## Checking the free travel of foot brake lever

**! Warning**  
**Danger of accidents** Brake system failure.

- If there is no free travel on the foot brake lever, pressure builds up on the rear brake circuit. The rear brake can fail due to overheating. Adjust free travel on foot brake lever according to specifications.



- Disconnect spring **1**.
- Move the foot brake lever back and forth between the end stop and the contact to the foot brake cylinder piston and check free travel **A**.

Guideline

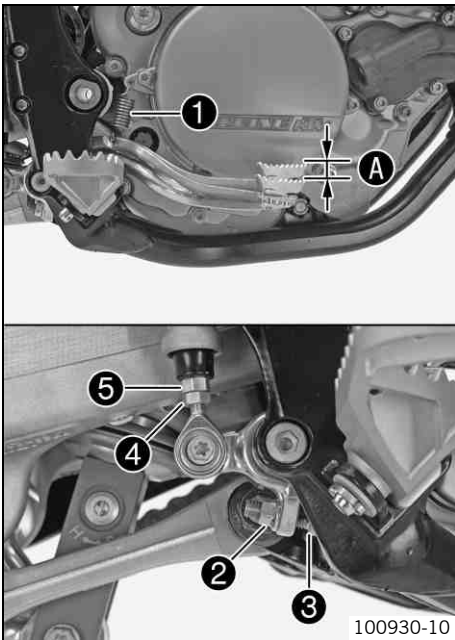
Free travel at foot brake lever	3... 5 mm (0.12... 0.2 in)
---------------------------------	----------------------------

- » If the free travel does not meet specifications:
  - Adjust the basic position of the foot brake lever. ☞ (☞ p. 58)
- Reconnect spring **1**.

## Adjusting the basic position of the foot brake lever ☞

**! Warning**  
**Danger of accidents** Brake system failure.

- If there is no free travel on the foot brake lever, pressure builds up on the rear brake circuit. The rear brake can fail due to overheating. Adjust free travel on foot brake lever according to specifications.



- Disconnect spring ❶.
- Loosen nut ❷ and, with push rod ❸, turn it back until you have maximum free travel.
- To adjust the basic position of the foot brake lever individually, loosen nut ❷ and turn screw ❸ accordingly.

**i Info**

The range of adjustment is limited.

- Turn push rod ❸ accordingly until you have free travel A. If necessary, adjust the basic position of the foot brake lever.

Guideline

Free travel at foot brake lever	3... 5 mm (0.12... 0.2 in)	
---------------------------------	----------------------------	--

- Hold push rod ❸ and tighten nut ❹.

Guideline

Remaining nuts, chassis	M6	10 Nm (7.4 lbf ft)
-------------------------	----	--------------------

- Hold screw ❸ and tighten nut ❷.

Guideline

Nut, foot brake lever stop	M8	20 Nm (14.8 lbf ft)
----------------------------	----	------------------------

- Reconnect spring ❶.

## Checking the rear brake fluid level



**Warning**

**Danger of accidents** Failure of the brake system.

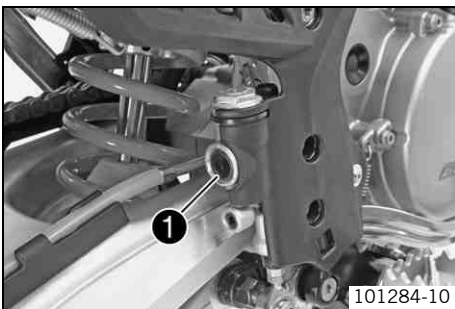
- If the brake fluid level falls below the **MIN** mark, this indicates a leakage in the brake system or worn-out brake linings. Check the brake system and do not continue riding. (Your authorized KTM workshop will be glad to help.)



**Warning**

**Danger of accidents** Reduced braking efficiency due to old brake fluid.

- Change the brake fluid of the front and rear brake according to the service schedule. (Your authorized KTM workshop will be glad to help.)



- Stand the vehicle upright.
- Check the brake fluid level in the viewer ❶.
  - » When in the viewer ❶ an air bubble is visible:
    - Add rear brake fluid. 🛠️ (📄 p. 59)

## Adding rear brake fluid 🛠️



**Warning**

**Danger of accidents** Failure of the brake system.

- If the brake fluid level falls below the **MIN** mark, this indicates a leakage in the brake system or worn-out brake linings. Check the brake system and do not continue riding. (Your authorized KTM workshop will be glad to help.)



**Warning**

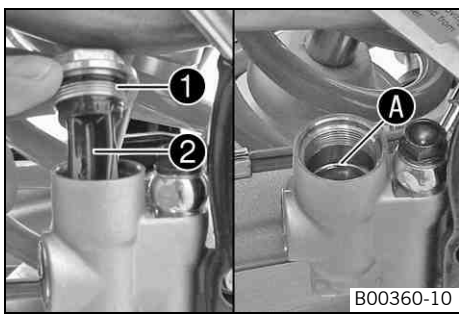
**Skin irritation** Brake fluid can cause skin irritation on contact.

- Avoid contact with skin and eyes, and keep out of the reach of children.
- Wear suitable protective clothing and goggles.
- If brake fluid comes into contact with the eyes, flush the eyes thoroughly with water and consult a physician immediately.

- Warning**  
**Danger of accidents** Reduced braking efficiency due to old brake fluid.
- Change the brake fluid of the front and rear brake according to the service schedule. (Your authorized KTM workshop will be glad to help.)

- Warning**  
**Environmental hazard** Hazardous substances cause environmental damage.
- Oil, grease, filters, fuel, cleaners, brake fluid, etc., should be disposed of as stipulated in applicable regulations.

- i Info**  
 Never use DOT 5 brake fluid! It is silicone-based and purple in color. Oil seals and brake lines are not designed for DOT 5 brake fluid.  
 Avoid contact between brake fluid and painted parts. Brake fluid attacks paint!  
 Use only clean brake fluid from a sealed container.

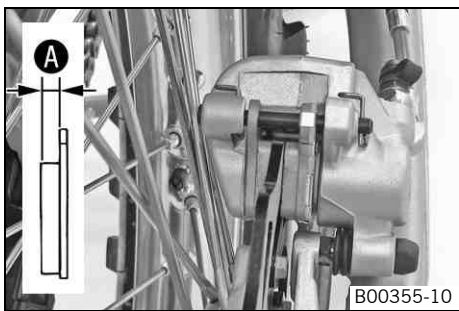


- Stand the vehicle upright.
  - Remove screw cap ❶ with membrane ❷ and the O-ring.
  - Add brake fluid to level A.
- |                                       |
|---------------------------------------|
| Brake fluid DOT 4 / DOT 5.1 (☞ p. 96) |
|---------------------------------------|
- Mount and tighten the screw cap with the membrane and O-ring.

- i Info**  
 Clean up overflowed or spilt brake fluid immediately with water.

## Checking the rear brake linings

- Warning**  
**Danger of accidents** Reduced braking efficiency caused by worn brake linings.
- Change worn brake linings immediately. (Your authorized KTM workshop will be glad to help.)



- Check the brake linings for minimum thickness A.
- |                     |                    |
|---------------------|--------------------|
| Minimum thickness A | ≥ 1 mm (≥ 0.04 in) |
|---------------------|--------------------|
- » If the minimum thickness is less than specified:
    - Change the rear brake linings. ☞ (☞ p. 60)
  - Check the brake linings for damage and cracking.
    - » If damage or cracking is visible:
      - Change the rear brake linings. ☞ (☞ p. 60)

## Changing the rear brake linings ☞

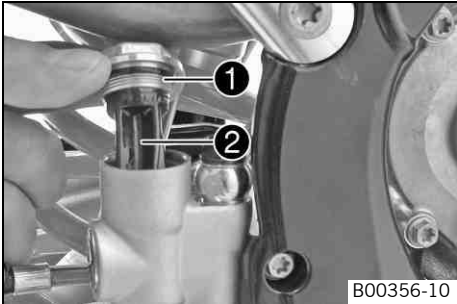
- Warning**  
**Skin irritation** Brake fluid can cause skin irritation on contact.
- Avoid contact with skin and eyes, and keep out of the reach of children.
  - Wear suitable protective clothing and goggles.
  - If brake fluid comes into contact with the eyes, flush the eyes thoroughly with water and consult a physician immediately.

- Warning**  
**Danger of accidents** Reduced braking efficiency due to old brake fluid.
- Change the brake fluid of the front and rear brake according to the service schedule. (Your authorized KTM workshop will be glad to help.)

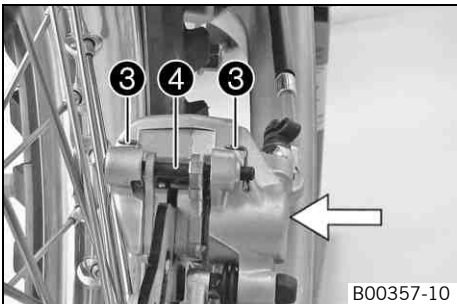
- Warning**  
**Environmental hazard** Hazardous substances cause environmental damage.
- Oil, grease, filters, fuel, cleaners, brake fluid, etc., should be disposed of as stipulated in applicable regulations.

**i** **Info**

Never use DOT 5 brake fluid! It is silicone-based and purple in color. Oil seals and brake lines are not designed for DOT 5 brake fluid.  
 Avoid contact between brake fluid and painted parts. Brake fluid attacks paint!  
 Use only clean brake fluid from a sealed container.



- Stand the vehicle upright.
- Remove screw cap ① with membrane ② and the O-ring.



- Press the brake caliper toward the brake disc to push back the brake piston and ensure that no brake fluid runs out of the brake fluid reservoir, sucking it off if it does.

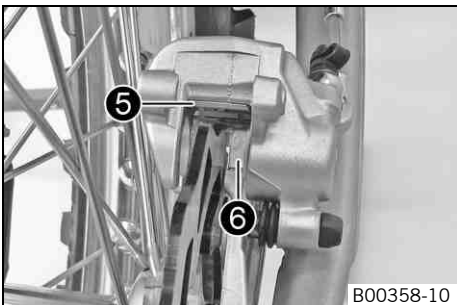
**i** **Info**

Make sure when pushing back the brake piston that you do not press the brake caliper against the spokes.

- Remove locking split pins ③, withdraw pin ④, and take out the brake linings.
- Clean the brake caliper and brake caliper support.
- Check that leaf spring ⑤ in the brake caliper and sliding plate ⑥ in the brake caliper support are seated correctly.

**i** **Info**

The arrow on the leaf spring points in the rotation direction of the brake disc.

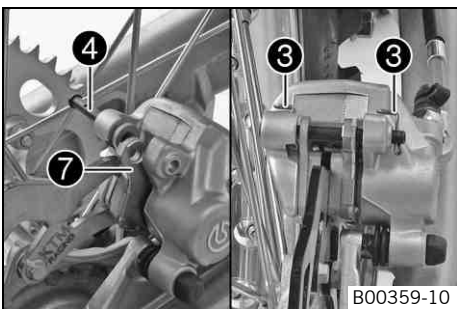


- Insert the brake linings, insert pin ④, and mount locking split pins ③.

**i** **Info**

Make sure that the decoupling plate ⑦ is mounted on the piston side of the brake lining.

- Operate the foot brake lever repeatedly until the brake linings are in contact with the brake disc and there is a pressure point.



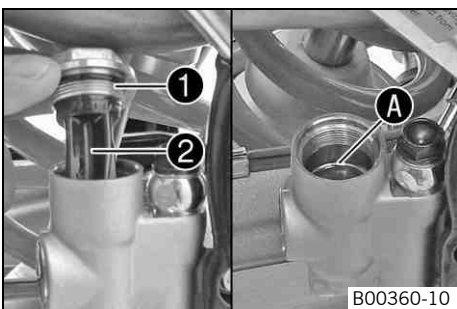
- Add brake fluid to level **A**.

Brake fluid DOT 4 / DOT 5.1 (☞ p. 96)

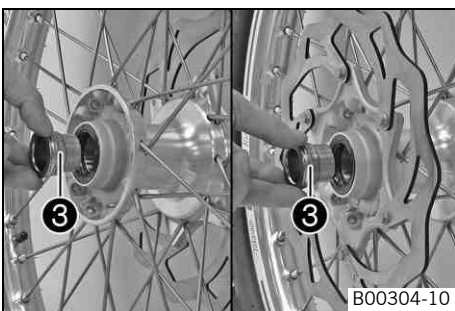
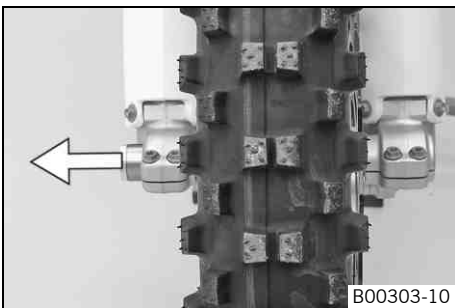
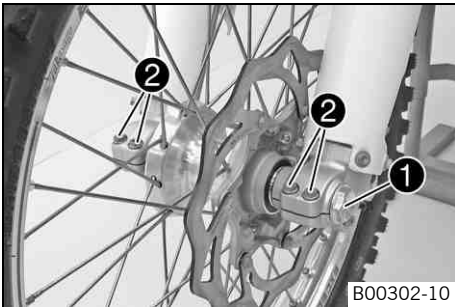
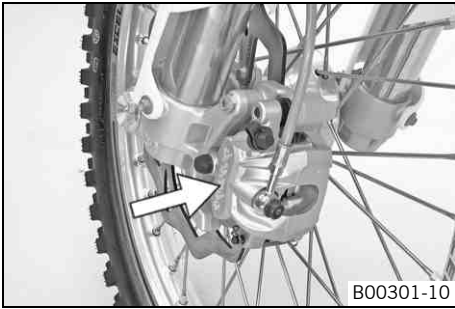
- Mount and tighten screw cap ① with membrane ② and the O-ring.

**i** **Info**

Clean up overflowed or spilled brake fluid immediately with water.



## Removing the front wheel



### Preliminary work

- Raise the motorcycle with the lift stand. (☛ p. 32)

### Main work

- Press the brake caliper onto the brake disc by hand in order to push back the brake pistons.

#### **i** Info

Make sure when pushing back the brake pistons that you do not press the brake caliper against the spokes.

- Remove screw ①.
- Loosen screws ②.

- Holding the front wheel, withdraw the wheel spindle. Take the front wheel out of the fork.

#### **i** Info

Do not pull the hand brake lever when the front wheel is removed. Always lay the wheel down in such a way that the brake disc is not damaged.

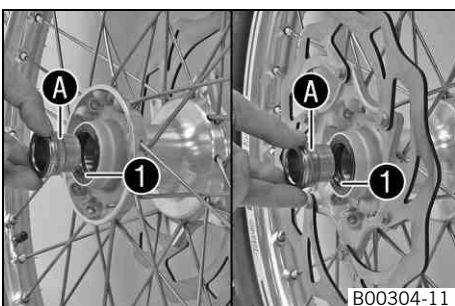
- Remove spacers ③.

## Installing the front wheel

### **!** Warning

**Danger of accidents** Reduced braking efficiency due to oil or grease on the brake discs.

- Always keep the brake discs free of oil and grease, and clean them with brake cleaner when necessary.

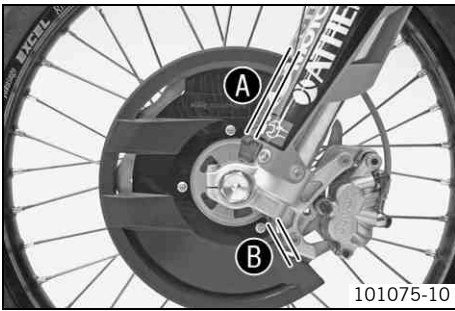


- Check the wheel bearing for damage and wear.
  - » If the wheel bearing is damaged or worn:
    - Change the wheel bearing. ☛
- Clean and grease the shaft seal rings ① and contact surface A of the spacers.

Long-life grease (☛ p. 98)

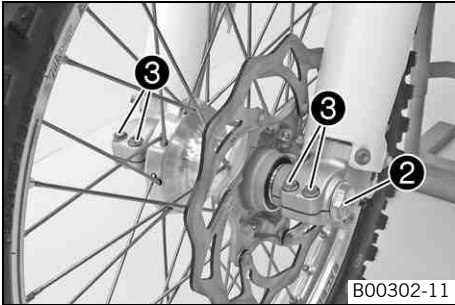
- Insert the spacers.
- Lift the front wheel into the fork, position it, and insert the wheel spindle.





**(SX-F ROCZEN REPLICA)**

- Align the brake disc guard so that gaps **A** and **B** are the same size.



- Mount and tighten screw **2**.

Guideline

Screw, front wheel spindle	M24x1.5	45 Nm (33.2 lbf ft)
----------------------------	---------	------------------------

- Activate the hand brake lever multiple times until the brake linings are in contact with the brake disc.
- Remove the motorcycle from the lift stand. (☛ p. 32)
- Pull the front brake and compress the fork powerfully a few times.

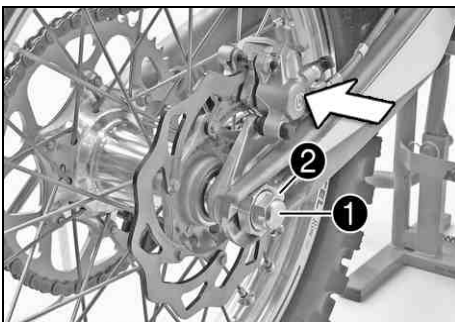
✓ The fork legs straighten.

- Tighten screws **3**.

Guideline

Screw, fork stub	M8	15 Nm (11.1 lbf ft)
------------------	----	------------------------

## Removing the rear wheel ☛



**Preliminary work**

- Raise the motorcycle with the lift stand. (☛ p. 32)

**Main work**

- Press the brake caliper onto the brake disc by hand in order to push back the brake piston.

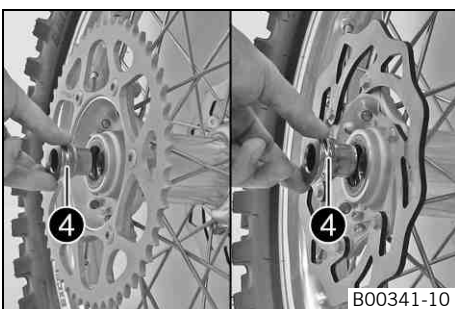
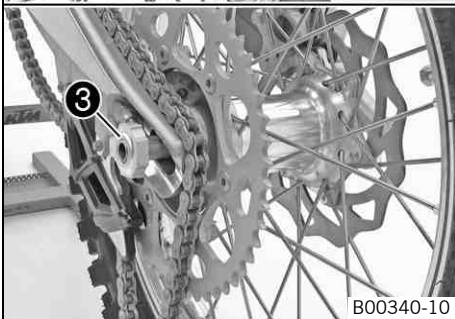
**i Info**

Make sure when pushing back the brake piston that you do not press the brake caliper against the spokes.

- Remove nut **1**.
- Remove chain adjuster **2**. Withdraw wheel spindle **3** only enough to allow the rear wheel to be pushed forward.
- Push the rear wheel forward as far as possible. Remove the chain from the rear sprocket.
- Holding the rear wheel, withdraw the wheel spindle. Take the rear wheel out of the swing arm.

**i Info**

Do not operate the foot brake when the rear wheel is removed. Always lay the wheel down in such a way that the brake disc is not damaged.



- Remove spacers **4**.

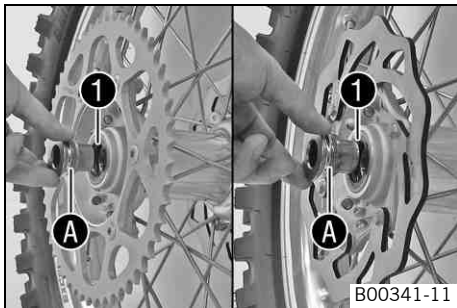
## Installing the rear wheel 🛠️



### Warning

**Danger of accidents** Reduced braking efficiency due to oil or grease on the brake discs.

- Always keep the brake discs free of oil and grease, and clean them with brake cleaner when necessary.



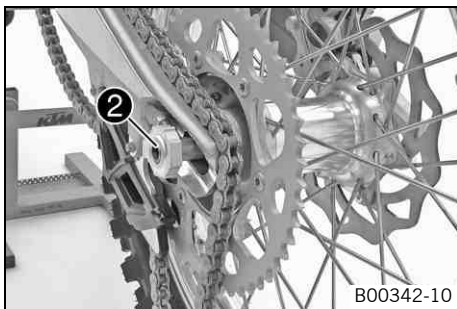
B00341-11

### Main work

- Check the wheel bearing for damage and wear.
  - » If the wheel bearing is damaged or worn:
    - Change the wheel bearing. 🛠️
- Clean and grease the shaft seal rings 1 and contact surface A of the spacers.

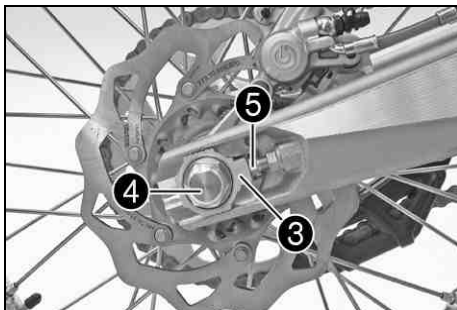
Long-life grease (🔧 p. 98)

- Insert the spacers.



B00342-10

- Lift the rear wheel into the swing arm, position it, and insert the wheel spindle 2.
- Put the chain on.



- Position chain adjuster 3. Mount nut 4, but do not tighten it yet.
- Make sure that chain adjusters 3 are fitted correctly on adjusting screws 5.
- Check the chain tension. (🔧 p. 47)
- Tighten nut 4.

### Guideline

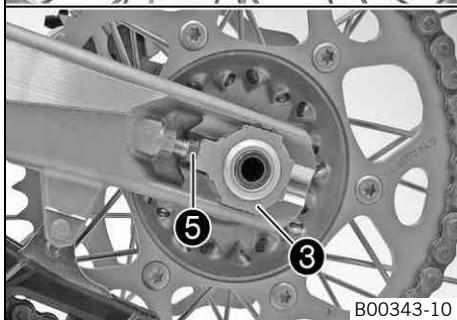
Nut, rear wheel spindle	M20x1.5	80 Nm (59 lbf ft)
-------------------------	---------	-------------------



### Info

The wide adjustment range of the chain adjusters (32 mm (1.18 in)) enables different secondary ratios with the same chain length. Chain adjusters 3 can be turned by 180°.

- Operate the foot brake lever repeatedly until the brake linings are in contact with the brake disc and there is a pressure point.



B00343-10

### Subsequent work

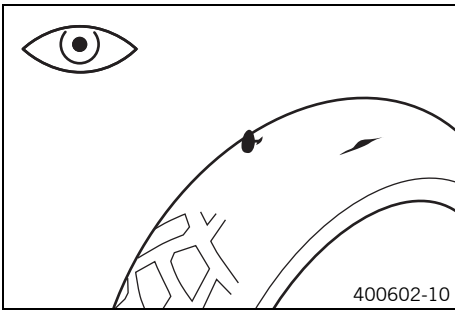
- Remove the motorcycle from the lift stand. (🔧 p. 32)

## Checking the tire condition



### Info

Only mount tires approved and/or recommended by KTM. Other tires could have a negative effect on riding behavior. The type, condition and air pressure of the tires all have an important impact on the riding behavior of the motorcycle. The tires mounted on the front and rear wheels must have a similar profile. Worn tires have a negative effect on riding behavior, especially on wet surfaces.



- Examine the front and rear tires for cuts, foreign bodies and other damage.
  - » If you find cuts, foreign bodies or other damage on a tire:
    - Change the tire.
- Check the depth of the tread.

**i Info**

Note local national regulations concerning the minimum tread depth.

Minimum tread depth	≥ 2 mm (≥ 0.08 in)
---------------------	--------------------

- » If the tread depth is less than the minimum allowable depth:
  - Change the tire.
- Check the tire age.

**i Info**

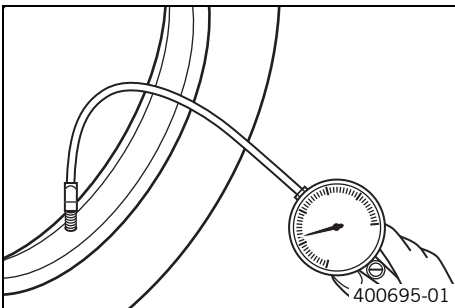
The tire manufacture date is usually included in the tire identification number and comprises the last four digits of the **DOT** code. The first two digits indicate the week of manufacture and the last two digits the year of manufacture. KTM recommends that the tires be changed after 5 years at the latest, regardless of the actual state of wear.

- » If the tire is older than five years:
  - Change the tire.

## Checking the tire air pressure

**i Info**

Low tire air pressure leads to abnormal wear and overheating of the tire. Correct tire air pressure ensures optimal riding comfort and maximum tire service life.



- Remove the dust cap.
- Check the tire air pressure when the tires are cold.

Tire air pressure, offroad	
Front	1.0 bar (15 psi)
Rear	1.0 bar (15 psi)

- » If the tire pressure does not meet specifications:
  - Correct the tire pressure.
- Mount the dust cap.

## Checking the spoke tension

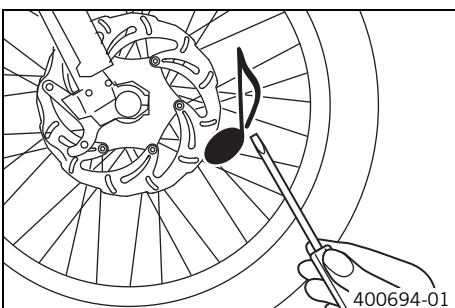
**Warning**

**Danger of accidents** Instable handling due to incorrect spoke tension.

- Ensure that the spoke tension is correct. (Your authorized KTM workshop will be glad to help.)

**i Info**

A loose spoke causes wheel imbalance and rapidly leads to more loose spokes. If the spokes are too tight, they can break due to local overload. Check the spoke tension regularly, especially on a new motorcycle.




- Briefly strike each spoke with the tip of a screwdriver.

**i Info**

The tone frequency depends on the length of the spoke and the spoke diameter. If you hear different tone frequencies from different spokes of equal length and diameter, this is an indication of different spoke tensions.

You should hear a high note.

- » If the spoke tension varies:
  - Correct the spoke tension. 
- Check the spoke torque.

Guideline

Spoke nipple, front wheel	M4.5	5... 6 Nm (3.7... 4.4 lbf ft)
Spoke nipple, rear wheel	M4.5	5... 6 Nm (3.7... 4.4 lbf ft)

Torque wrench with various accessories in set (58429094000)

## Removing the battery

- Warning**  
**Risk of injury** Battery acid and battery gases cause serious chemical burns.
- Keep batteries out of the reach of children.
  - Wear suitable protective clothing and goggles.
  - Avoid contact with battery acid and battery gases.
  - Keep the battery away from sparks or open flames. Charge only in well-ventilated areas.
  - In the event of skin contact, rinse with large amounts of water. If battery acid gets in the eyes, rinse with water for at least 15 minutes and contact a physician.

### Preliminary work

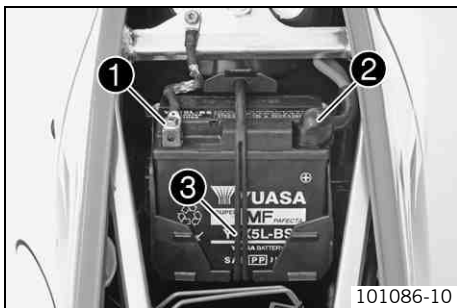
- Switch off all power consumers and switch off the engine.
- Remove the seat. (☛ p. 41)

### (SX-F ROCZEN REPLICA)

- Set the service hour counter aside.

### Main work

- Disconnect the negative (minus) cable ❶ of the battery.
- Pull back the positive terminal cover ❷ and disconnect the positive (plus) cable of the battery.
- Detach rubber band ❸ from the bottom.
- Lift the battery out.



## Installing the battery

### Main work

- Insert the battery into the battery compartment with the terminals facing to the front.

### (All SX-F models)

Battery (YTX4L-BS) (☛ p. 89)

### (XC-F)

Battery (YTX5L-BS) (☛ p. 89)

- Reconnect rubber band ❶.
- Connect positive cable ❷ and negative cable ❸.

### Guideline

Screw, battery terminal	M5	2.5 Nm (1.84 lbf ft)
-------------------------	----	-------------------------

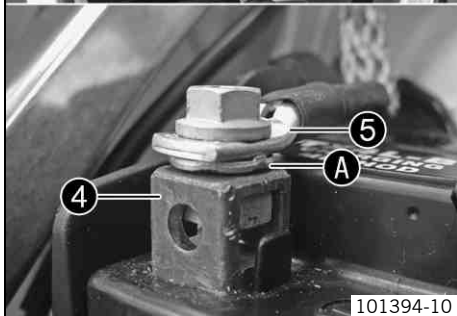
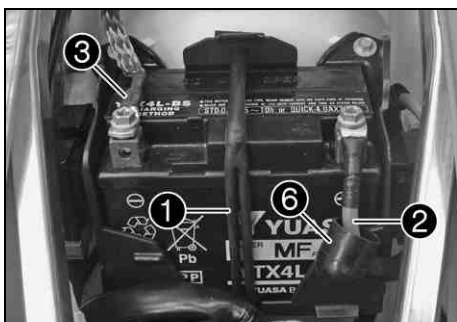
**i Info**  
 Contact disks **A** must be mounted between battery terminals **4** and cable sockets **5** with the claws facing up.

- Slide positive terminal cover ❹ over the positive terminal.

### Subsequent work

### (SX-F ROCZEN REPLICA)

- Place the service hour counter behind the rubber band.
- Mount the seat. (☛ p. 41)



## Recharging the battery ↩

- Warning**  
**Risk of injury** Battery acid and battery gases cause serious chemical burns.
- Keep batteries out of the reach of children.
  - Wear suitable protective clothing and goggles.
  - Avoid contact with battery acid and battery gases.
  - Keep the battery away from sparks or open flames. Charge only in well-ventilated areas.
  - In the event of skin contact, rinse with large amounts of water. If battery acid gets in the eyes, rinse with water for at least 15 minutes and contact a physician.

- Warning**  
**Environmental hazard** The battery contains elements that are harmful to the environment.
- Do not discard batteries with the household trash. Dispose of a defective battery in an environmentally compatible manner. Give the battery to your KTM dealer or to a recycling center that accepts used batteries.

- Warning**  
**Environmental hazard** Hazardous substances cause environmental damage.
- Oil, grease, filters, fuel, cleaners, brake fluid, etc., should be disposed of as stipulated in applicable regulations.

- i Info**  
 Even when there is no load on the battery, it still loses power steadily.  
 The charge state and the type of charge are very important for the service life of the battery.  
 Rapid recharging with a high charging current shortens the battery's service life.  
 If the charging current, charging voltage and charging time are exceeded, electrolyte escapes through the safety valves. This reduces the battery capacity.  
 If the battery is depleted from starting the vehicle repeatedly, the battery must be charged immediately.  
 If the battery is left in a discharged state for an extended period, it will become over-discharged and sulfate, destroying the battery.  
 The battery is maintenance-free, i.e., the acid level does not have to be checked.

**Preliminary work**

- Switch off all power consumers and switch off the engine.
- Remove the seat. (🔧 p. 41)
- Disconnect the negative (minus) cable of the battery to avoid damage to the motorcycle's electronics.

**Main work**

- Connect the battery charger to the battery. Switch on the battery charger.

Battery charger (58429074000)
-------------------------------

You can also use the battery charger to test rest potential and start potential of the battery, and to test the alternator. With this device, you cannot overcharge the battery.

- i Info**  
 Never remove cover ❶.  
 Charge the battery with a maximum of 10% of the capacity specified on the battery housing ❷.

- Switch off the charger after charging. Disconnect the battery.

## Guideline

The charge current, charge voltage and charge time must not be exceeded.	
--	--

Charge the battery regularly when the motorcycle is not in use	3 months
--	----------

**Subsequent work**

- Mount the seat. (🔧 p. 41)



## Changing the main fuse



### Warning

**Fire hazard** The electrical system can be overloaded if the wrong fuses are used.

- Use only fuses with the prescribed amperage. Never by-pass or repair fuses.



### Info

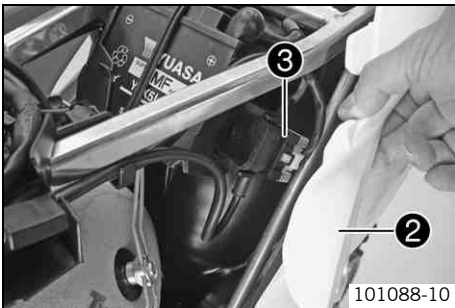
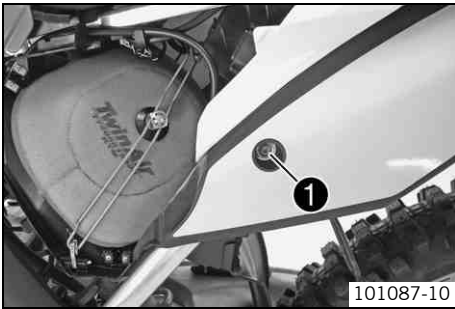
The main fuse protects all power consumers in the vehicle. It is located in the starter relay housing under the filter box cover.

### Preliminary work

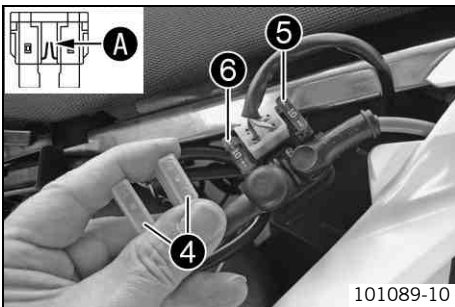
- Switch off all power consumers and switch off the engine.
- Remove the air filter box lid. (☛ p. 41)

### Main work

- Remove screw ❶.



- Lift rear fairing ❷ slightly and pull starter relay ❸ out of the bracket.



- Remove protection caps ❹.
- Remove the faulty main fuse ❺.



### Info

A defective fuse is indicated by a burned-out fuse wire ❹.  
A reserve fuse ❻ is located in the starter relay.

- Install a new main fuse.

Fuse (58011109110) (☛ p. 89)

- Check that the electrical equipment is functioning.



### Tip

Insert the spare fuse so that it is available if needed.

- Mount the protection caps.
- Mount the starter relay onto the bracket and lay the cable.
- Position the rear fairing. Mount and tighten the screw.

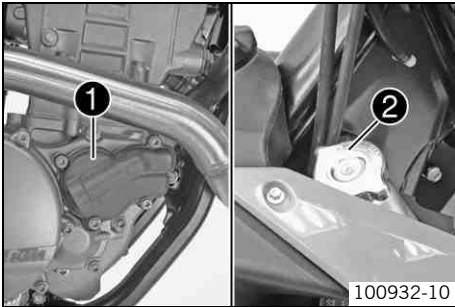
### Guideline

Remaining screws, chassis	M6	10 Nm (7.4 lbf ft)
---------------------------	----	--------------------

### Follow-up work

- Install the air filter box lid. (☛ p. 41)

## Cooling system



Water pump ❶ in the engine circulates the coolant.

The pressure resulting from the warming of the cooling system is regulated by a valve in radiator cap ❷. This ensures that operating the vehicle at the specified coolant temperature will not result in a risk of malfunctions.

120 °C (248 °F)
-----------------

Cooling is effected by the air stream.

The lower the speed, the less the cooling effect. Dirty cooling fins also reduce the cooling effect.

## Checking the antifreeze and coolant level



### Warning

**Danger of scalding** During motorcycle operation, the coolant gets very hot and is under pressure.

- Do not remove the radiator cap, radiator hoses or other cooling system components when the engine is hot. Allow the engine and cooling system to cool down. In case of scalding, rinse immediately with lukewarm water.



### Warning

**Danger of poisoning** Coolant is poisonous and a health hazard.

- Avoid contact between coolant and skin, eyes and clothing. If it gets into your eyes, rinse immediately with water and contact a doctor. Wash affected skin areas immediately with soap and water. If coolant is swallowed, contact a doctor immediately. Change clothes that have come into contact with coolants. Keep coolant out of the reach of children.

### Condition

The engine is cold.

- Stand the motorcycle upright on a horizontal surface.
- Remove the radiator cap.
- Check the antifreeze of the coolant.

-25... -45 °C (-13... -49 °F)
-------------------------------

» If the antifreeze of the coolant does not meet specifications:

- Correct the antifreeze of the coolant.

- Check the coolant level in the radiator.

Coolant level ❶ above radiator fins.	10 mm (0.39 in)
--------------------------------------	-----------------

» If the coolant level does not meet specifications:

- Correct the coolant level.

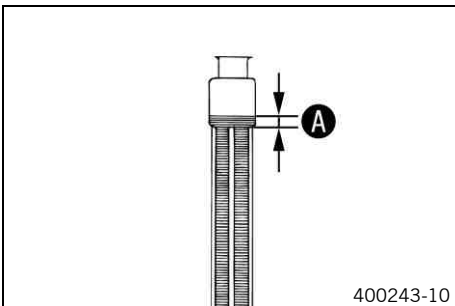
### Alternative 1

Coolant (☛ p. 96)
-------------------

### Alternative 2

Coolant (mixed ready to use) (☛ p. 96)
--

- Mount the radiator cap.



## Checking the coolant level



### Warning

**Danger of scalding** During motorcycle operation, the coolant gets very hot and is under pressure.

- Do not remove the radiator cap, radiator hoses or other cooling system components when the engine is hot. Allow the engine and cooling system to cool down. In case of scalding, rinse immediately with lukewarm water.



### Warning

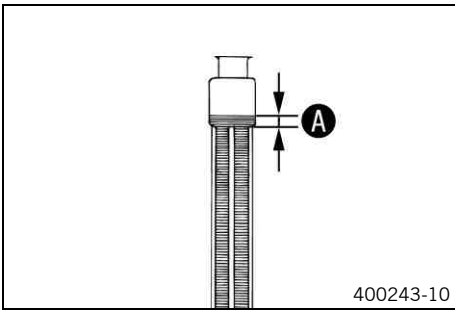
**Danger of poisoning** Coolant is poisonous and a health hazard.

- Avoid contact between coolant and skin, eyes and clothing. If it gets into your eyes, rinse immediately with water and contact a doctor. Wash affected skin areas immediately with soap and water. If coolant is swallowed, contact a doctor immediately. Change clothes that have come into contact with coolants. Keep coolant out of the reach of children.

### Condition

The engine is cold.





- Stand the motorcycle upright on a horizontal surface.
- Remove the radiator cap.
- Check the coolant level in the radiator.

Coolant level <b>A</b> above radiator fins.	10 mm (0.39 in)
---	-----------------

- » If the coolant level does not meet specifications:
  - Correct the coolant level.

**Alternative 1**

Coolant (☛ p. 96)
-------------------

**Alternative 2**

Coolant (mixed ready to use) (☛ p. 96)
--

- Mount the radiator cap.

## Draining the coolant ☛



**Warning**

**Danger of scalding** During motorcycle operation, the coolant gets very hot and is under pressure.

- Do not remove the radiator cap, radiator hoses or other cooling system components when the engine is hot. Allow the engine and cooling system to cool down. In case of scalding, rinse immediately with lukewarm water.



**Warning**

**Danger of poisoning** Coolant is poisonous and a health hazard.

- Avoid contact between coolant and skin, eyes and clothing. If it gets into your eyes, rinse immediately with water and contact a doctor. Wash affected skin areas immediately with soap and water. If coolant is swallowed, contact a doctor immediately. Change clothes that have come into contact with coolants. Keep coolant out of the reach of children.

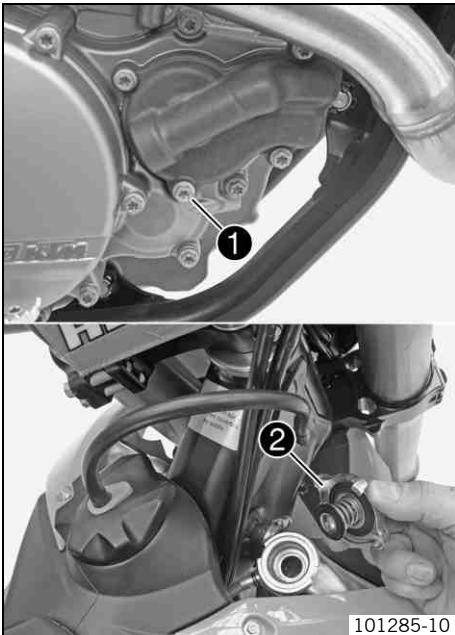
**Condition**

The engine is cold.

- Position the motorcycle upright.
- Place a suitable container under the water pump cover.
- Remove screw **1**. Take off radiator cap **2**.
- Completely drain the coolant.
- Mount and tighten screw **1** with a new seal ring.

Guideline

Screw, water pump cover	M6	10 Nm (7.4 lbf ft)
-------------------------	----	--------------------



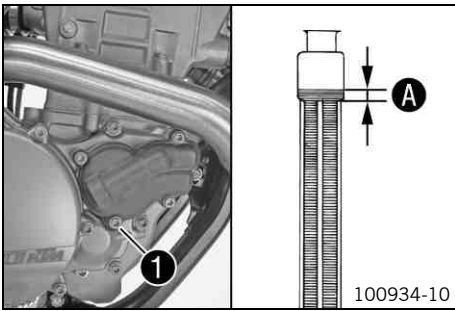
## Refilling coolant ☛



**Warning**

**Danger of poisoning** Coolant is poisonous and a health hazard.

- Avoid contact between coolant and skin, eyes and clothing. If it gets into your eyes, rinse immediately with water and contact a doctor. Wash affected skin areas immediately with soap and water. If coolant is swallowed, contact a doctor immediately. Change clothes that have come into contact with coolants. Keep coolant out of the reach of children.



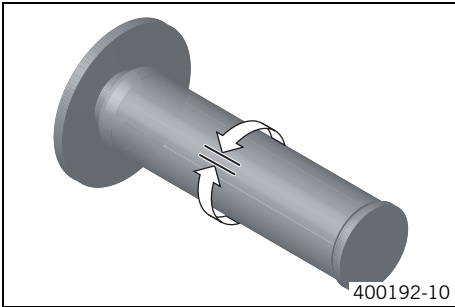
- Make sure that screw ❶ is tightened.
- Position the motorcycle upright.
- Pour coolant in up to measurement ❶ above the radiator fins.

Guideline

Dimension ❶ over the radiator fins	10 mm (0.39 in)	
Coolant	1.2 l (1.3 qt.)	Coolant (☛ p. 96)
		Coolant (mixed ready to use) (☛ p. 96)

- Mount the radiator cap.
- Take a short test ride.
- Check the coolant level. (☛ p. 70)

## Checking the play in the throttle cable



- Check the throttle grip for smooth operation.
- Move the handlebar to the straight-ahead position. Move the throttle grip backwards and forwards to ascertain the play in the throttle cable.

Throttle cable play	3... 5 mm (0.12... 0.2 in)
---------------------	----------------------------

- » If the throttle cable play does not meet specifications:
  - Adjust the play in the throttle cable. 🛠️ (☞ p. 73)



### Danger

**Danger of poisoning** Exhaust gases are poisonous and inhaling them may result in unconsciousness and/or death.

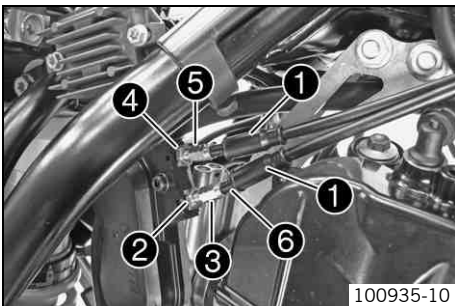
- When running the engine, always make sure there is sufficient ventilation, and do not start or run the engine in an enclosed space without an effective exhaust extraction system.

- Start the engine and let it run idle. Move the handlebar to and fro over the entire steering range.

The idle speed must not change.
---------------------------------

- » If the idle speed changes:
  - Adjust the play in the throttle cable. 🛠️ (☞ p. 73)

## Adjusting the play in the throttle cable 🛠️



### Preliminary work

- Remove the seat. (☞ p. 41)
- Remove the fuel tank. 🛠️ (☞ p. 44)
- Check the throttle cable routing. (☞ p. 51)

### Main work

- Move the handlebar to the straight-ahead position.
- Push back sleeves ❶.
- Loosen nut ❷. Turn adjusting screw ❸ in as far as possible.
- Loosen nut ❹. Turn adjusting screw ❺ so that there is play in the throttle cable at the throttle grip.

### Guideline

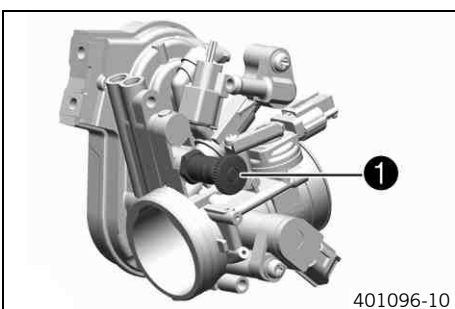
Throttle cable play	3... 5 mm (0.12... 0.2 in)
---------------------	----------------------------

- Tighten nut ❹.
- Press and hold the throttle grip in the closed setting. Turn adjusting screw ❸ out until there is no play in the throttle cable ❻.
- Tighten nut ❷.
- Push sleeves ❶ on. Check the throttle grip for smooth operation.

### Subsequent work

- Install the fuel tank. 🛠️ (☞ p. 45)
- Mount the seat. (☞ p. 41)
- Check the play in the throttle cable. (☞ p. 73)

## Adjusting the idle speed 🛠️



- Run the engine warm and push the idle speed adjusting screw ❶ all the way in.
- Set the desired idle speed by turning the idle speed adjusting screw.

### Guideline

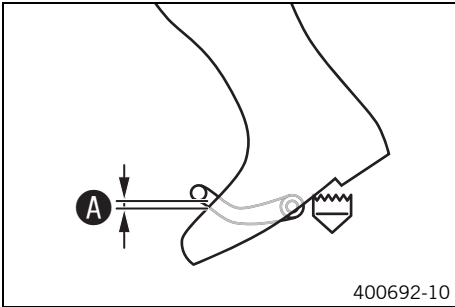
Idle speed	2,150... 2,250 rpm
------------	--------------------



### Info

Turn counterclockwise to increase the idle speed.  
Turn clockwise to decrease the idle speed.

## Checking the basic position of the shift lever

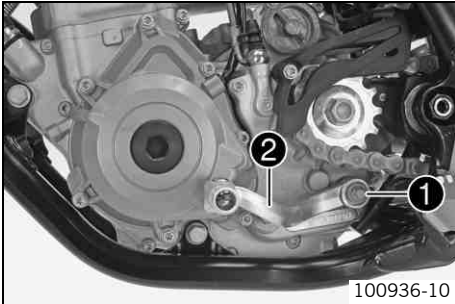


- Sit on the vehicle in the riding position and determine the distance **A** between the upper edge of your boot and the shift lever.

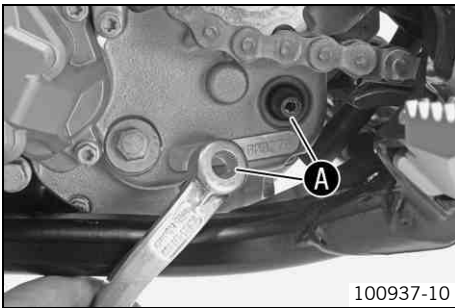
Distance between shift lever and upper edge of boot	10... 20 mm (0.39... 0.79 in)
---	-------------------------------

- » If the distance does not meet specifications:
  - Adjust the basic position of the shift lever. 🛠️ (p. 74)

## Adjusting the basic position of the shift lever 🛠️



- Remove screw **1** and take off shift lever **2**.



- Clean gear teeth **A** of the shift lever and shift shaft.
- Mount the shift lever on the shift shaft in the required position and engage the gearing.

### **i** Info

The range of adjustment is limited.  
The shift lever must not come into contact with any other vehicle components during the shift procedure.

- Mount and tighten the screw.

### Guideline

Screw, shift lever	M6	14 Nm (10.3 lbf ft)	Loctite® 243™
--------------------	----	------------------------	---------------

## Changing the fuel screen



### Danger

**Fire hazard** Fuel is highly flammable.

- Never refuel the vehicle near open flames or burning cigarettes, and always switch off the engine first. Be careful that no fuel is spilt, especially on hot vehicle components. Clean up spilt fuel immediately.
- Fuel in the fuel tank expands when warm and can escape if the tank is overfilled. See the notes on refueling.



### Warning

**Danger of poisoning** Fuel is poisonous and a health hazard.

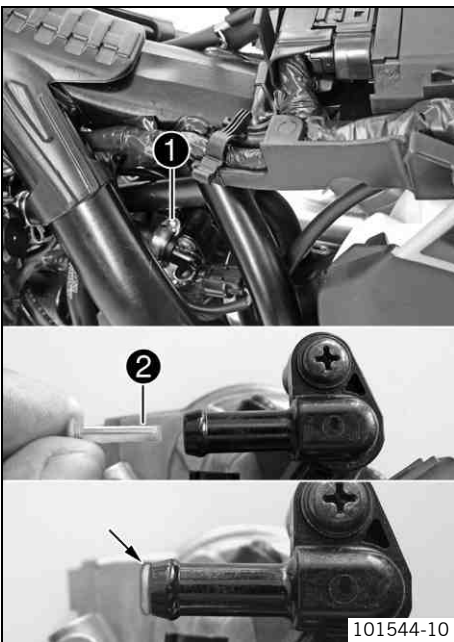
- Avoid contact of the fuel with skin, eyes and clothing. Do not inhale fuel vapors. If fuel gets into your eyes, rinse immediately with water and contact a doctor. Wash affected skin areas immediately with soap and water. If fuel is swallowed, contact a doctor immediately. Change clothing that has come into contact with fuel.





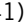
### Warning

**Environmental hazard** Improper handling of fuel is a danger to the environment.

- Do not allow fuel to get into the ground water, the ground, or the sewage system.






### Preliminary work

- Remove the seat. ( p. 41)
- Remove the fuel tank.  ( p. 44)

### Main work

- Thoroughly clean the vehicle in the vicinity of the throttle valve body.
- Release screw clamp **1** and pull off the fuel hose.
- Pull fuel screen **2** out of the connecting piece.
- Push the new fuel screen into the connecting piece until it engages.
- Mount the fuel hose and secure it with the screw clamp.

### Follow-up work

- Install the fuel tank.  ( p. 45)
- Mount the seat. ( p. 41)



### Danger

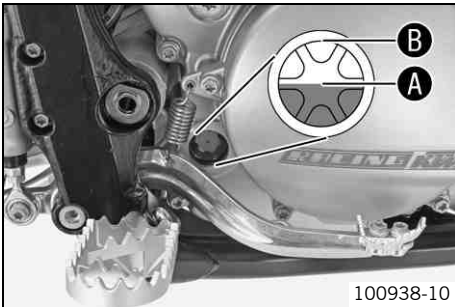
**Danger of poisoning** Exhaust gases are poisonous and inhaling them may result in unconsciousness and/or death.

- When running the engine, always make sure there is sufficient ventilation, and do not start or run the engine in an enclosed space without an effective exhaust extraction system.

- Start the engine and check the response.

## Checking the engine oil level

**i Info**  
The engine oil level can be checked when the engine is cold or warm.



### Preliminary work

- Stand the motorcycle upright on a horizontal surface.

### Condition

The engine is cold.

- Check the engine oil level.

The engine oil level is up to the middle **A** of the level viewer.

- » If the engine oil is not up to the middle of the level viewer:
  - Add engine oil. (☛ p. 78)

### Condition

The engine is at operating temperature.

- Check the engine oil level.

**i Info**  
After switching off the engine, wait one minute before checking the level.

The engine oil is at a level between the middle **A** and upper edge **B** of the level viewer.

- » If the engine oil is not up to the middle **A** of the level viewer:
  - Add engine oil. (☛ p. 78)

## Changing the engine oil and oil filter, cleaning the oil screen

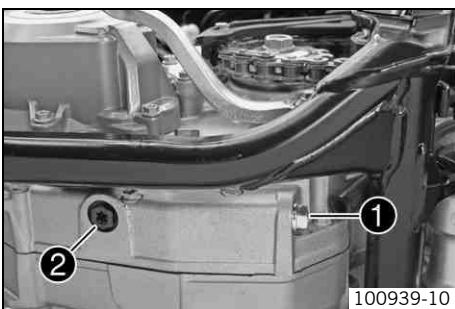
**⚠ Warning**  
**Danger of scalding** Engine oil and gear oil get very hot when the motorcycle is ridden.

- Wear appropriate protective clothing and safety gloves. In case of burns, rinse immediately with lukewarm water.

**☼ Warning**  
**Environmental hazard** Hazardous substances cause environmental damage.

- Oil, grease, filters, fuel, cleaners, brake fluid, etc., should be disposed of as stipulated in applicable regulations.

**i Info**  
Drain the engine oil only when the engine is warm.

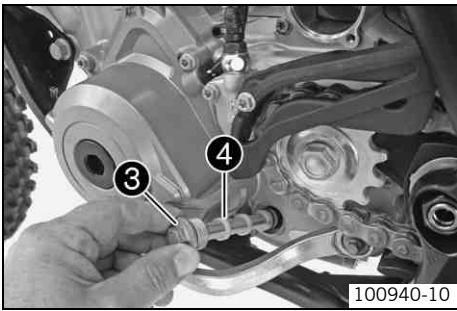


### Preliminary work (SX-F ROCZEN REPLICA)

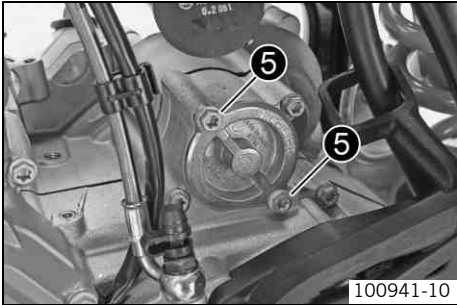
- Remove the engine guard. (☛ p. 53)
- Park the motorcycle on a level surface.

### Main work

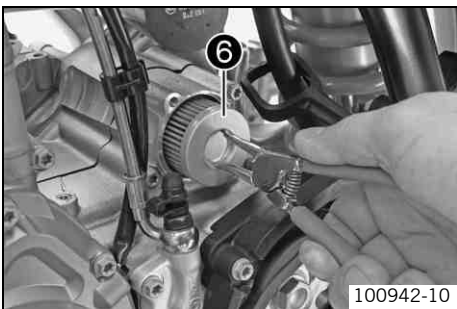
- Place a suitable container under the engine.
- Remove oil drain plug **1** with the magnet and seal ring.
- Remove screw plug **2** with the short oil screen.



- Remove screw plug ③ with the long oil screen ④.



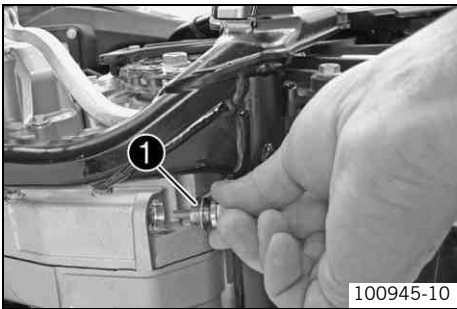
- Remove screws ⑤. Remove the oil filter cover with the O-ring.



- Pull oil filter ⑥ out of the oil filter housing.

Circlip pliers reverse (51012011000)

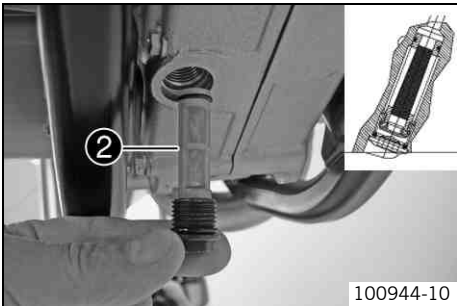
- Completely drain the engine oil.
- Thoroughly clean the parts and sealing surfaces.



- Mount and tighten the oil drain plug ① with the magnet and a new seal ring.

Guideline

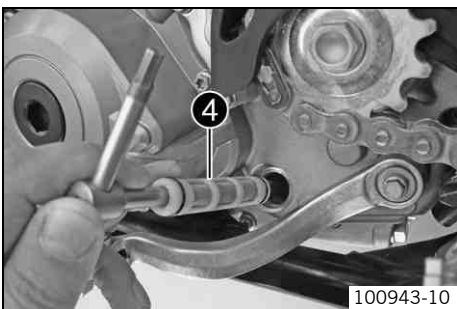
Oil drain plug with magnet	M12x1.5	20 Nm (14.8 lbf ft)
----------------------------	---------	------------------------



- Insert the short oil screen ② into the screw plug, mount it with the O-ring and tighten.

Guideline

Plug for oil screen, short	M16x1.5	10 Nm (7.4 lbf ft)	Lubricated with engine oil
----------------------------	---------	-----------------------	----------------------------



- Place the long oil screen ④ with the O-rings onto a pin wrench.

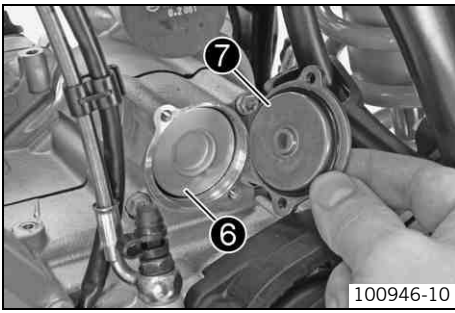
**i** Info

The larger inside diameter of the oil screen must face the engine case.

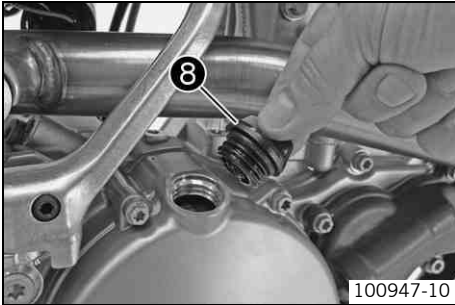
- Push the pin wrench through the opening into the drill hole of the opposite engine case wall and push the oil screen as far as possible into the engine case.
- Mount and tighten screw plug with the O-ring.

Guideline

Plug for oil screen, long	M20x1.5	15 Nm (11.1 lbf ft)
---------------------------	---------	------------------------



100946-10



100947-10

- Lay the motorcycle on its side and fill the oil filter housing to about 1/3 full with engine oil.
- Fill the oil filter 6 with engine oil and place it in the oil filter container.
- Oil the O-ring of the oil filter cover and mount it with the oil filter cover 7.
- Mount and tighten the screws.

**Guideline**

Screw, oil filter cover	M5	6 Nm (4.4 lbf ft)
-------------------------	----	-------------------

- Stand the motorcycle upright.
- Remove filler plug 8 with the O-ring on the clutch cover and add engine oil to the upper edge of the level viewer.

Engine oil	1.20 l (1.27 qt.)	Engine oil (SAE 10W/50) (☛ p. 96)	
		Alternative engine oil for harsh operating conditions and increased performance	Engine oil (SAE 10W/60) (00062010035) (☛ p. 96)



**Info**

Too little engine oil or poor-quality engine oil results in premature wear to the engine.

- Install and tighten the oil filler plug with O-ring.



**Danger**

**Danger of poisoning** Exhaust gases are poisonous and inhaling them may result in unconsciousness and/or death.

- When running the engine, always make sure there is sufficient ventilation, and do not start or run the engine in an enclosed space without an effective exhaust extraction system.

- Start the engine and check that it is oil-tight.

**Follow-up work**

**(SX-F ROCZEN REPLICA)**

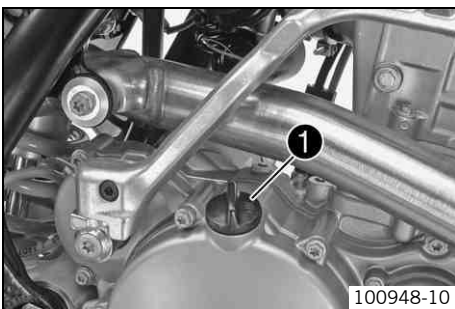
- Install the engine guard. (☛ p. 53)
- Check the engine oil level. (☛ p. 76)

**Adding engine oil**



**Info**

Too little engine oil or poor-quality engine oil results in premature wear to the engine.



100948-10

- Remove the oil filler plug 1 with the O-ring from the clutch cover.
- Add the same engine oil that was used when the motor was changed.

Engine oil (SAE 10W/50) (☛ p. 96)
-----------------------------------

**Alternative 1**

Engine oil (SAE 10W/60) (00062010035) (☛ p. 96)
---



**Info**

For optimal performance of the engine oil, do not mix different types of engine oil. If appropriate, change the engine oil.

- Install and tighten the oil filler plug with O-ring.



**Danger**

**Danger of poisoning** Exhaust gases are poisonous and inhaling them may result in unconsciousness and/or death.

- When running the engine, always make sure there is sufficient ventilation, and do not start or run the engine in an enclosed space without an effective exhaust extraction system.



- Start the engine and check that it is oil-tight.

## Cleaning the motorcycle

### Note

**Material damage** Damage and destruction of components by high-pressure cleaning equipment.

- Never clean the vehicle with high-pressure cleaning equipment or a strong water-jet. The excessive pressure can penetrate electrical components, socket connects, throttle cables, and bearings, etc., and can damage or destroy these parts.

### Warning

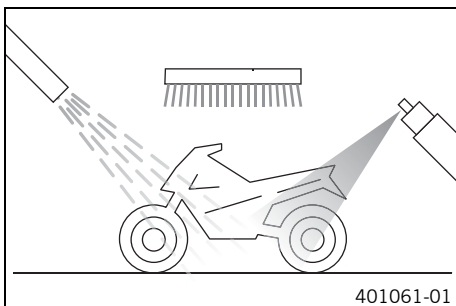


**Environmental hazard** Hazardous substances cause environmental damage.

- Oil, grease, filters, fuel, cleaners, brake fluid, etc., should be disposed of as stipulated in applicable regulations.

### Info

If you clean the motorcycle regularly, its value and appearance will be maintained over a long period.  
Avoid direct sunshine on the motorcycle during cleaning.



- Close off the exhaust system to keep water from entering.
- First remove coarse dirt particles with a gentle spray of water.
- Spray very dirty areas with a normal motorcycle cleaner and then clean with a paintbrush.

Motorcycle cleaner (☛ p. 98)



### Info

Use warm water containing normal motorcycle cleaner and a soft sponge.

- After rinsing the motorcycle with a gentle spray of water, allow it to dry thoroughly.



### Warning

**Danger of accidents** Reduced braking efficiency due to wet or dirty brakes.

- Clean or dry dirty or wet brakes by riding and braking gently.

- After cleaning, ride a short distance until the engine reaches operating temperature.



### Info

The heat produced causes water at inaccessible locations in the engine and the brakes to evaporate.

- Push back the protection caps of the handlebar controls to allow any water that has penetrated to evaporate.
- After the motorcycle has cooled off, lubricate all moving parts and bearings.
- Clean the chain. (☛ p. 47)
- Treat bare metal parts (except for brake discs and the exhaust system) with a corrosion inhibitor.

Cleaning and preserving materials for metal, rubber and plastic (☛ p. 98)

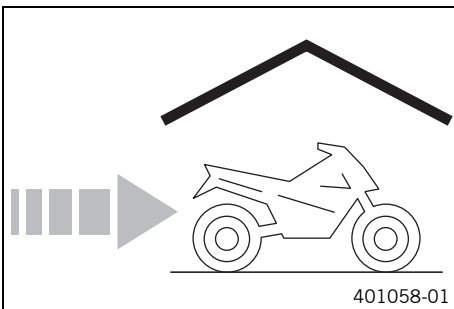
- Treat all plastic parts and powder-coated parts with a mild cleaning and care agent.

Paint cleaner and polish for high-gloss and matte finishes, bare metal and plastic surfaces (☛ p. 99)

## Storage

- Warning**  
**Danger of poisoning** Fuel is poisonous and a health hazard.
- Avoid contact between fuel and skin, eyes and clothing. Do not inhale fuel vapors. If fuel gets into your eyes, rinse immediately with water and contact a doctor. Wash affected skin areas immediately with soap and water. If fuel is swallowed, contact a doctor immediately. Change clothing that has come into contact with fuel. Store fuel in a suitable canister according to regulations and keep it out of the reach of children.

- Info**  
 If you want to garage the motorcycle for a longer period, take the following steps.  
 Before storing the motorcycle, check all parts for function and wear. If service, repairs or replacements are necessary, you should do this during the storage period (less workshop overload). In this way, you can avoid long workshop waiting times at the start of the new season.



- Clean the motorcycle. (☞ p. 80)
- Change the engine oil and oil filter, clean the oil screen. 🛠️ (☞ p. 76)
- Check the antifreeze and coolant level. (☞ p. 70)
- Drain the fuel from the tank into a suitable container.
- Check the tire air pressure. (☞ p. 65)
- Remove the battery. 🛠️ (☞ p. 67)
- Recharge the battery. 🛠️ (☞ p. 68)

## Guideline

Storage temperature of battery without direct sunlight	0... 35 °C (32... 95 °F)
--	--------------------------

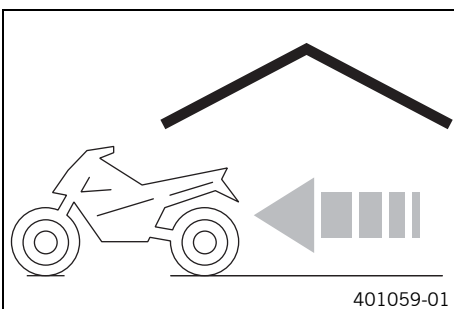
- Store the vehicle in a dry location that is not subject to large fluctuations in temperature.

- Info**  
 KTM recommends raising the motorcycle.

- Raise the motorcycle with the lift stand. (☞ p. 32)
- Cover the vehicle with a tarp or a cover that is permeable to air.

- Info**  
 Do not use non-porous materials since they prevent humidity from escaping, thus causing corrosion.  
 Avoid running the engine for a short time only. Since the engine cannot warm up properly, the water vapor produced during combustion condenses and causes valves and exhaust system to rust.

## Putting into operation after storage



- Remove the motorcycle from the lift stand. (☞ p. 32)
- Install the battery. 🛠️ (☞ p. 67)
- Refuel. (☞ p. 21)
- Perform checks and maintenance steps before putting into operation. (☞ p. 19)
- Take a test ride.

Faults	Possible cause	Action
The engine cannot be cranked (electric starter)	Operating error	– Carry out the start procedure. (☞ p. 19)
	Battery discharged	– Recharge the battery. 🛠️ (☞ p. 68) – Check the charging voltage. 🛠️ – Check the open-circuit current. 🛠️ – Check the stator winding of the alternator. 🛠️
	Main fuse burned out	– Change the main fuse. (☞ p. 69)
	Faulty starter relay	– Check the starter relay. 🛠️
	Faulty starter motor	– Check the starter motor. 🛠️
Engine turns but does not start	Coupling of fuel hose connection not joined together	– Join the fuel hose connection.
	Idle speed is not set correctly	– Adjust the idle speed. 🛠️ (☞ p. 73)
	Spark plug oily or wet	– Clean and dry the spark plug, or change it if necessary.
	Electrode distance (plug gap) of spark plug too wide	– Adjust the plug gap. Guideline Spark plug electrode gap 0.7 mm (0.028 in)
	Short circuit cable in wiring harness frayed, kill switch defective	– Check the wiring harness. (visual check) – Check the electrical system.
	Plug-in connector of EFI control device, crankshaft position sensor, fuel pump or ignition coil oxidized	– Clean the plug connection and treat it with contact spray.
	Defect in fuel injection system	– Read out the fault memory using the KTM diagnostics tool. 🛠️
Engine does not speed up	Defect in fuel injection system – Read out the fault memory using the KTM diagnostics tool. 🛠️	
Engine has too little power	Air filter is very dirty	– Clean the air filter and air filter box. 🛠️ (☞ p. 42)
	Fuel filter is very dirty	– Change the fuel filter. 🛠️
	Defect in fuel injection system	– Read out the fault memory using the KTM diagnostics tool. 🛠️
	Exhaust system leaky, deformed or too little glass fiber yarn filling in main silencer	– Check exhaust system for damage. – Change the glass fiber yarn filling of the main silencer. 🛠️ (☞ p. 43)
	Valve clearance too little	– Adjust the valve clearance. 🛠️
Engine dies during the trip	Lack of fuel – Refuel. (☞ p. 21)	
Engine overheats	Too little coolant in cooling system	– Check the cooling system for leakage. – Check the coolant level. (☞ p. 70)
	Too little air stream	– Switch off the engine when standing.
	Radiator fins very dirty	– Clean the radiator fins.
	Foam formation in cooling system	– Drain the coolant. 🛠️ (☞ p. 71) – Refill the coolant. 🛠️ (☞ p. 71)
	Bent radiator hose	– Change the radiator hose. 🛠️
FI warning lamp (MIL) lights up/flashes	Defect in fuel injection system – Stop the motorcycle and identify the faulty part using the blink code. – Check the cabling for damage and the electrical plug-in connections for corrosion and damage. – Read out the fault memory using the KTM diagnostics tool. 🛠️	
High oil consumption	Engine vent hose bent	– Route the vent hose without bends or change it if necessary.
	Engine oil level too high	– Check the engine oil level. (☞ p. 76)
	Engine oil too thin (low viscosity)	– Change the engine oil and oil filter, clean the oil screen. 🛠️ (☞ p. 76)

Faults	Possible cause	Action
High oil consumption	Piston and cylinder worn	– Piston/cylinder - determine the mounting clearance.
Battery discharged	Battery is not charging	– Check the charging voltage. 🔧 – Check the stator winding of the alternator. 🔧
	Unwanted power consumer	– Check the open-circuit current. 🔧

<b>Blink code FI warning lamp (MIL)</b>	 02 <b>FI</b> warning lamp (MIL) flashes 2x short
<b>Error level condition</b>	Crankshaft position sensor - circuit fault
<b>Blink code FI warning lamp (MIL)</b>	 06 <b>FI</b> warning lamp (MIL) flashes 6x short
<b>Error level condition</b>	Throttle position sensor circuit A - input signal too low
	Throttle position sensor circuit A - input signal too high
<b>Blink code FI warning lamp (MIL)</b>	 09 <b>FI</b> warning lamp (MIL) flashes 9x short
<b>Error level condition</b>	Manifold absolute pressure sensor cylinder 1 - input signal too low
	Manifold absolute pressure sensor cylinder 1 - input signal too high
<b>Blink code FI warning lamp (MIL)</b>	 12 <b>FI</b> warning lamp (MIL) flashes 1x long, 2x short
<b>Error level condition</b>	Engine coolant temperature sensor - input signal too low
	Engine coolant temperature sensor - input signal too high
<b>Blink code FI warning lamp (MIL)</b>	 13 <b>FI</b> warning lamp (MIL) flashes 1x long, 3x short
<b>Error level condition</b>	Intake air temperature sensor - input signal to low
	Intake air temperature sensor - input signal too high
<b>Blink code FI warning lamp (MIL)</b>	 15 <b>FI</b> warning lamp (MIL) flashes 1x long, 5x short
<b>Error level condition</b>	Rollover sensor (A/D type) - input signal too low
	Rollover sensor (A/D type) - input signal too high
<b>Blink code FI warning lamp (MIL)</b>	 33 <b>FI</b> warning lamp (MIL) flashes 3x long, 3x short
<b>Error level condition</b>	Injector cylinder 1 - circuit fault
<b>Blink code FI warning lamp (MIL)</b>	 37 <b>FI</b> warning lamp (MIL) flashes 3x long, 7x short
<b>Error level condition</b>	Ignition coil 1, cylinder 1 - circuit fault
<b>Blink code FI warning lamp (MIL)</b>	 41 <b>FI</b> warning lamp (MIL) flashes 4x long, 1x short
<b>Error level condition</b>	Fuel pump control - short circuit to ground or open circuit
	Fuel pump control - input signal too low

Design	1-cylinder 4-stroke engine, water-cooled
Displacement	248.60 cm <sup>3</sup> (15.1706 cu in)
Stroke	54.80 mm (2.1575 in)
Bore	76 mm (2.99 in)
Compression ratio (SX-F EU/USA, XC-F)	13.2:1
Compression ratio (SX-F ROCZEN REPLICA)	13.7:1
Idle speed	2,150... 2,250 rpm
Control	DOHC, four valves controlled via cam lever, drive via tooth-wheel chain
Valve diameter, intake	30.0 mm (1.181 in)
Valve diameter, exhaust	26.0 mm (1.024 in)
Valve clearance	
Exhaust at: 20 °C (68 °F)	0.12... 0.17 mm (0.0047... 0.0067 in)
Intake at: 20 °C (68 °F)	0.10... 0.15 mm (0.0039... 0.0059 in)
Crankshaft bearing	2 cylinder bearings
Conrod bearing (All SX-F models)	Needle bearing
Conrod bearing (XC-F)	Sleeve bearing
Piston pin bearing (All SX-F models)	Bronze bush
Piston pin bearing (XC-F)	Not a bearing bush - DLC-plated piston pins
Pistons	Forged light alloy
Piston rings	1 compression ring, 1 oil scraper ring
Engine lubrication	Pressure circulation lubrication with two rotary pumps
Primary transmission	22:68
Clutch	Multidisc clutch in oil bath/hydraulically activated
Transmission	6-speed dog engagement
Transmission ratio (All SX-F models)	
1st gear	13:32
2nd gear	15:30
3rd gear	17:28
4th gear	19:26
5th gear	21:25
6th gear	22:24
Transmission ratio (XC-F)	
1st gear	13:33
2nd gear	17:33
3rd gear	19:29
4th gear	23:28
5th gear	23:23
6th gear	26:22
Alternator	12 V, 66 W
Ignition	Contactless controlled fully electronic ignition with digital ignition adjustment, type Kokusan
Spark plug	NGK CR 9 EKB
Spark plug electrode gap	0.7 mm (0.028 in)
Cooling	Water cooling, permanent circulation of coolant by water pump
Starting aid (All SX-F models)	Electric starter
Starting aid (XC-F)	Kick starter and electric starter

## Capacity - engine oil

Engine oil	1.20 l (1.27 qt.)	Engine oil (SAE 10W/50) (☛ p. 96)	
		Alternative engine oil for harsh operating conditions and increased performance	Engine oil (SAE 10W/60) (00062010035) (☛ p. 96)

## Capacity - coolant

Coolant	1.2 l (1.3 qt.)	Coolant (☛ p. 96)	
		Coolant (mixed ready to use) (☛ p. 96)	



Jet, crank chamber ventilation	M4	2 Nm (1.5 lbf ft)	Loctite® 243™
Oil jet for alternator cooling	M4	2 Nm (1.5 lbf ft)	Loctite® 243™
Oil nozzle for conrod bearing lubrication	M4	2 Nm (1.5 lbf ft)	Loctite® 243™
Screw, stator	M4	4 Nm (3 lbf ft)	Loctite® 243™
Oil jet for cam lever lubrication	M5	4 Nm (3 lbf ft)	Loctite® 243™
Screw, ignition pulse generator	M5	6 Nm (4.4 lbf ft)	Loctite® 243™
Screw, locking lever	M5	6 Nm (4.4 lbf ft)	Loctite® 243™
Screw, oil filter cover	M5	6 Nm (4.4 lbf ft)	–
Screw, oil pump cover, left	M5	6 Nm (4.4 lbf ft)	Loctite® 243™
Screw, oil pump cover, right	M5	6 Nm (4.4 lbf ft)	Loctite® 243™
Locking screw for bearing	M6	6 Nm (4.4 lbf ft)	Loctite® 243™
Screw, alternator cover	M6	10 Nm (7.4 lbf ft)	–
Screw, cable holder in alternator cover	M6	6 Nm (4.4 lbf ft)	Loctite® 243™
Screw, clutch cover	M6	10 Nm (7.4 lbf ft)	–
Screw, clutch slave cylinder	M6	10 Nm (7.4 lbf ft)	–
Screw, clutch spring	M6	10 Nm (7.4 lbf ft)	–
Screw, cover plate of valve cover	M6	3 Nm (2.2 lbf ft)	Loctite® 243™
Screw, cylinder head	M6	10 Nm (7.4 lbf ft)	–
Screw, engine case	M6	10 Nm (7.4 lbf ft)	–
Screw, exhaust flange	M6	10 Nm (7.4 lbf ft)	Loctite® 243™
Screw, kickstarter stop	M6	10 Nm (7.4 lbf ft)	Loctite® 243™
Screw, shift drum locating	M6	10 Nm (7.4 lbf ft)	Loctite® 243™
Screw, shift lever	M6	14 Nm (10.3 lbf ft)	Loctite® 243™
Screw, timing chain securing guide	M6	8 Nm (5.9 lbf ft)	Loctite® 243™
Screw, timing chain tensioning rail	M6	8 Nm (5.9 lbf ft)	Loctite® 243™
Screw, valve cover	M6	10 Nm (7.4 lbf ft)	–
Screw, water pump cover	M6	10 Nm (7.4 lbf ft)	–
Oil jet, piston cooling	M6x0.75	4 Nm (3 lbf ft)	Loctite® 243™
Nut, camshaft bearing bridge	M7	15 Nm (11.1 lbf ft)	Lubricated with engine oil
Screw, camshaft bearing bridge	M7	15 Nm (11.1 lbf ft)	Lubricated with engine oil
Stud, camshaft bearing bridge	M7	2 Nm (1.5 lbf ft)	Loctite® 243™
Plug, crankshaft location	M8	20 Nm (14.8 lbf ft)	–
Screw, kickstarter	M8	25 Nm (18.4 lbf ft)	Loctite® 243™
Screw, timing chain guide rail	M8	10 Nm (7.4 lbf ft)	Loctite® 243™
Screw, cylinder head	M10	Tightening sequence: Tighten diagonally, beginning with the rear screw on the chain shaft. Step 1 40 Nm (29.5 lbf ft) Step 2 50 Nm (36.9 lbf ft)	Lubricated with engine oil
Screw, engine sprocket	M10	60 Nm (44.3 lbf ft)	Loctite® 243™
Spark plug	M10	10... 12 Nm (7.4... 8.9 lbf ft)	–
Rotor screw	M10x1	70 Nm (51.6 lbf ft)	Thread, oiled with engine oil/cone degreased
Screw, unlocking of timing chain tensioner	M10x1	10 Nm (7.4 lbf ft)	–
Screw, camshaft gear	M12x1	80 Nm (59 lbf ft)	Loctite® 243™
Engine coolant temperature sensor	M12x1.5	12 Nm (8.9 lbf ft)	–
Oil drain plug with magnet	M12x1.5	20 Nm (14.8 lbf ft)	–
Plug, oil pressure regulator valve	M12x1.5	20 Nm (14.8 lbf ft)	–

Plug for oil screen, short	M16x1.5	10 Nm (7.4 lbf ft)	Lubricated with engine oil
Nut, inner clutch hub	M18x1.5	100 Nm (73.8 lbf ft)	<b>Loctite® 243™</b>
Nut, primary gear	M18LHx1.5	130 Nm (95.9 lbf ft)	<b>Loctite® 243™</b>
Plug for oil screen, long	M20x1.5	15 Nm (11.1 lbf ft)	–
Plug, timing chain tensioner	M24x1.5	25 Nm (18.4 lbf ft)	–

Frame	Central tube frame made of chrome molybdenum steel tubing	
Fork	<b>WP Suspension</b> Up Side Down 4860 MXMA CC	
Suspension travel		
Front	300 mm (11.81 in)	
Suspension travel (All SX-F EU models)		
Rear	330 mm (12.99 in)	
Suspension travel (SX-F USA, XC-F)		
Rear	317 mm (12.48 in)	
Fork offset	22 mm (0.87 in)	
Shock absorber	<b>WP Suspension</b> 5018 BAVP DCC	
Brake system	Disc brakes, brake calipers on floating bearings	
Brake discs - diameter		
Front	260 mm (10.24 in)	
Rear	220 mm (8.66 in)	
Brake discs - wear limit		
Front	2.5 mm (0.098 in)	
Rear	3.5 mm (0.138 in)	
Tire air pressure, offroad		
Front	1.0 bar (15 psi)	
Rear	1.0 bar (15 psi)	
Secondary ratio (All SX-F models)	13:48	
Secondary ratio (XC-F)	13:50	
Chain	5/8 x 1/4"	
Available rear sprockets	38, 40, 42, 45, 48, 49, 50, 51, 52	
Steering head angle	63.5°	
Wheelbase	1,495±10 mm (58.86±0.39 in)	
Seat height, unloaded	992 mm (39.06 in)	
Ground clearance, unloaded	375 mm (14.76 in)	
Weight without fuel, approx. (All SX-F EU models)	103.4 kg (228 lb.)	
Weight without fuel, approx. (SX-F USA)	104.2 kg (229.7 lb.)	
Weight without fuel, approx. (XC-F)	106 kg (234 lb.)	
Maximum permissible front axle load	145 kg (320 lb.)	
Maximum permissible rear axle load	190 kg (419 lb.)	
Maximum permissible overall weight	335 kg (739 lb.)	

Battery (All SX-F models)	YTX4L-BS	Battery voltage: 12 V Nominal capacity: 3 Ah Maintenance-free
Battery (XC-F)	YTX5L-BS	Battery voltage: 12 V Nominal capacity: 4 Ah Maintenance-free
Fuse	58011109110	10 A

## Lighting equipment

FI warning lamp	LED	
Remaining indicator lamps (XC-F)	W2.3W/socket W2x4.6d	12 V 2.3 W

## Tires

Validity	Front tire	Rear tire
(All SX-F EU models)	<b>80/100 - 21 M/C 51M TT</b> Pirelli SCORPION MX Midsoft 32	<b>100/90 - 19 62M TT</b> Pirelli SCORPION MX Midsoft 32
(SX-F USA)	<b>80/100 - 21 51M TT</b> Dunlop GEOMAX MX51F	<b>100/90 - 19 62M TT</b> Dunlop GEOMAX MX51
(XC-F)	<b>80/100 - 21 51M TT</b> Dunlop GEOMAX MX51F	<b>100/100 - 18 64M TT</b> Dunlop GEOMAX MX51
Additional information is available in the Service section under: <a href="http://www.ktm.com">http://www.ktm.com</a>		

## Capacity - fuel

Total fuel tank capacity, approx. (All SX-F models)	7.5 l (1.98 US gal)	Super unleaded (ROZ 95/RON 95/PON 91) (☛ p. 97)
Total fuel tank capacity, approx. (XC-F)	9.5 l (2.51 US gal)	Super unleaded (ROZ 95/RON 95/PON 91) (☛ p. 97)
Fuel reserve, approx. (XC-F)	1.5 l (1.6 qt.)	

## All SX-F EU models

Fork part number	14.18.7L.05	
Fork	<b>WP Suspension</b> Up Side Down 4860 MXMA CC	
Compression damping		
Comfort	14 clicks	
Standard	12 clicks	
Sport	10 clicks	
Rebound damping		
Comfort	14 clicks	
Standard	12 clicks	
Sport	10 clicks	
Spring length with preload spacer(s)	494 mm (19.45 in)	
Spring rate		
Weight of rider: 65... 75 kg (143... 165 lb.)	4.2 N/mm (24 lb/in)	
Weight of rider: 75... 85 kg (165... 187 lb.)	4.4 N/mm (25.1 lb/in)	
Weight of rider: 85... 95 kg (187... 209 lb.)	4.6 N/mm (26.3 lb/in)	
Gas pressure	1.2 bar (17 psi)	
Fork length	940 mm (37.01 in)	
Oil capacity per cartridge	195 ml (6.59 fl. oz.)	Fork oil (SAE 5) (☛ p. 97)
Oil capacity fork leg without cartridge	390 ml (13.19 fl. oz.)	Fork oil (SAE 5) (☛ p. 97)

## SX-F USA

Fork part number	14.18.7L.55	
Fork	<b>WP Suspension</b> Up Side Down 4860 MXMA CC	
Compression damping		
Comfort	14 clicks	
Standard	12 clicks	
Sport	10 clicks	
Rebound damping		
Comfort	14 clicks	
Standard	12 clicks	
Sport	10 clicks	
Spring length with preload spacer(s)	494 mm (19.45 in)	
Spring rate		
Weight of rider: 65... 75 kg (143... 165 lb.)	4.4 N/mm (25.1 lb/in)	
Weight of rider: 75... 85 kg (165... 187 lb.)	4.6 N/mm (26.3 lb/in)	
Weight of rider: 85... 95 kg (187... 209 lb.)	4.8 N/mm (27.4 lb/in)	
Gas pressure	1.2 bar (17 psi)	
Fork length	940 mm (37.01 in)	
Oil capacity per cartridge	195 ml (6.59 fl. oz.)	Fork oil (SAE 5) (☛ p. 97)
Oil capacity fork leg without cartridge	375 ml (12.68 fl. oz.)	Fork oil (SAE 5) (☛ p. 97)

## XC-F

Fork part number	14.18.7L.75	
Fork	<b>WP Suspension</b> Up Side Down 4860 MXMA CC	
Compression damping		
Comfort	14 clicks	
Standard	12 clicks	
Sport	10 clicks	
Rebound damping		
Comfort	14 clicks	
Standard	12 clicks	
Sport	10 clicks	
Spring length with preload spacer(s)	492 mm (19.37 in)	
Spring rate		
Weight of rider: 65... 75 kg (143... 165 lb.)	4.2 N/mm (24 lb/in)	
Weight of rider: 75... 85 kg (165... 187 lb.)	4.4 N/mm (25.1 lb/in)	
Weight of rider: 85... 95 kg (187... 209 lb.)	4.6 N/mm (26.3 lb/in)	
Gas pressure	1.2 bar (17 psi)	
Fork length	940 mm (37.01 in)	
Oil capacity per cartridge	195 ml (6.59 fl. oz.)	Fork oil (SAE 5) (☛ p. 97)
Oil capacity fork leg without cartridge	365 ml (12.34 fl. oz.)	Fork oil (SAE 5) (☛ p. 97)

## All SX-F EU models

Shock absorber part number	18.18.7L.05
Shock absorber	<b>WP Suspension</b> 5018 BAVP DCC
Compression damping, low-speed	
Comfort	17 clicks
Standard	15 clicks
Sport	13 clicks
Compression damping, high-speed	
Comfort	2.5 turns
Standard	2 turns
Sport	1.5 turns
Rebound damping	
Comfort	17 clicks
Standard	15 clicks
Sport	13 clicks
Spring preload	15 mm (0.59 in)
Spring rate	
Weight of rider: 65... 75 kg (143... 165 lb.)	51 N/mm (291 lb/in)
Weight of rider: 75... 85 kg (165... 187 lb.)	54 N/mm (308 lb/in)
Weight of rider: 85... 95 kg (187... 209 lb.)	57 N/mm (325 lb/in)
Spring length	260 mm (10.24 in)
Gas pressure	10 bar (145 psi)
Static sag	30 mm (1.18 in)
Riding sag	90 mm (3.54 in)
Fitted length	490 mm (19.29 in)
Shock absorber oil	Shock absorber oil (SAE 2.5) (50180342S1) (☛ p. 97)

## SX-F USA

Shock absorber part number	18.18.7L.55
Shock absorber	<b>WP Suspension</b> 5018 BAVP DCC
Compression damping, low-speed	
Comfort	17 clicks
Standard	15 clicks
Sport	13 clicks
Compression damping, high-speed	
Comfort	2.5 turns
Standard	2 turns
Sport	1.5 turns
Rebound damping	
Comfort	17 clicks
Standard	15 clicks
Sport	13 clicks
Spring preload	12 mm (0.47 in)
Spring rate	
Weight of rider: 65... 75 kg (143... 165 lb.)	48 N/mm (274 lb/in)
Weight of rider: 75... 85 kg (165... 187 lb.)	51 N/mm (291 lb/in)
Weight of rider: 85... 95 kg (187... 209 lb.)	54 N/mm (308 lb/in)
Spring length	260 mm (10.24 in)
Gas pressure	10 bar (145 psi)
Static sag	34 mm (1.34 in)
Riding sag	100 mm (3.94 in)

Fitted length	486 mm (19.13 in)
Shock absorber oil	Shock absorber oil (SAE 2.5) (50180342S1) (☛ p. 97)

## XC-F

Shock absorber part number	18.18.7L.75
Shock absorber	<b>WP Suspension</b> 5018 BAVP DCC
Compression damping, low-speed	
Comfort	17 clicks
Standard	15 clicks
Sport	13 clicks
Compression damping, high-speed	
Comfort	2.5 turns
Standard	2 turns
Sport	1.5 turns
Rebound damping	
Comfort	17 clicks
Standard	15 clicks
Sport	13 clicks
Spring preload	12 mm (0.47 in)
Spring rate	
Weight of rider: 65... 75 kg (143... 165 lb.)	51 N/mm (291 lb/in)
Weight of rider: 75... 85 kg (165... 187 lb.)	54 N/mm (308 lb/in)
Weight of rider: 85... 95 kg (187... 209 lb.)	57 N/mm (325 lb/in)
Spring length	260 mm (10.24 in)
Gas pressure	10 bar (145 psi)
Static sag	34 mm (1.34 in)
Riding sag	100 mm (3.94 in)
Fitted length	486 mm (19.13 in)
Shock absorber oil	Shock absorber oil (SAE 2.5) (50180342S1) (☛ p. 97)



Spoke nipple, front wheel	M4.5	5... 6 Nm (3.7... 4.4 lbf ft)	–
Spoke nipple, rear wheel	M4.5	5... 6 Nm (3.7... 4.4 lbf ft)	–
Screw, battery terminal	M5	2.5 Nm (1.84 lbf ft)	–
Screw, intake air temperature sensor	M5	2 Nm (1.5 lbf ft)	–
Screw, shock absorber adjusting ring	M5	5 Nm (3.7 lbf ft)	–
Remaining nuts, chassis	M6	10 Nm (7.4 lbf ft)	–
Remaining screws, chassis	M6	10 Nm (7.4 lbf ft)	–
Screw, ball joint of push rod on foot brake cylinder	M6	10 Nm (7.4 lbf ft)	<b>Loctite® 243™</b>
Screw, chain sliding guard	M6	6 Nm (4.4 lbf ft)	<b>Loctite® 243™</b>
Screw, front brake disc	M6	14 Nm (10.3 lbf ft)	<b>Loctite® 243™</b>
Screw, rear brake disc	M6	14 Nm (10.3 lbf ft)	<b>Loctite® 243™</b>
Screw, throttle grip	M6	3 Nm (2.2 lbf ft)	–
Fuel connection on fuel tank (XC-F)	M8	10 Nm (7.4 lbf ft)	–
Nut, foot brake lever stop	M8	20 Nm (14.8 lbf ft)	–
Nut, rear sprocket screw	M8	35 Nm (25.8 lbf ft)	<b>Loctite® 2701</b>
Nut, rim lock	M8	10 Nm (7.4 lbf ft)	–
Remaining nuts, chassis	M8	25 Nm (18.4 lbf ft)	–
Remaining screws, chassis	M8	25 Nm (18.4 lbf ft)	–
Screw, bottom triple clamp	M8	12 Nm (8.9 lbf ft)	–
Screw, chain sliding piece	M8	15 Nm (11.1 lbf ft)	–
Screw, engine brace	M8	33 Nm (24.3 lbf ft)	–
Screw, fork stub	M8	15 Nm (11.1 lbf ft)	–
Screw, front brake caliper	M8	25 Nm (18.4 lbf ft)	<b>Loctite® 243™</b>
Screw, handlebar clamp	M8	20 Nm (14.8 lbf ft)	–
Screw, side stand attachment (XC-F)	M8	45 Nm (33.2 lbf ft)	<b>Loctite® 2701</b>
Screw, subframe	M8	35 Nm (25.8 lbf ft)	<b>Loctite® 2701</b>
Screw, top steering stem	M8	17 Nm (12.5 lbf ft)	<b>Loctite® 243™</b>
Screw, top triple clamp	M8	17 Nm (12.5 lbf ft)	–
Engine carrying screw	M10	60 Nm (44.3 lbf ft)	–
Remaining nuts, chassis	M10	45 Nm (33.2 lbf ft)	–
Remaining screws, chassis	M10	45 Nm (33.2 lbf ft)	–
Screw, bottom shock absorber	M10	60 Nm (44.3 lbf ft)	<b>Loctite® 2701</b>
Screw, handlebar support	M10	40 Nm (29.5 lbf ft)	<b>Loctite® 243™</b>
Screw, top shock absorber	M10	60 Nm (44.3 lbf ft)	<b>Loctite® 2701</b>
Nut, fuel pump (XC-F)	M12	15 Nm (11.1 lbf ft)	–
Nut, seat fixing	M12x1	20 Nm (14.8 lbf ft)	–
Nut, frame to linkage lever	M14x1.5	80 Nm (59 lbf ft)	<b>Loctite® 2701</b>
Nut, linkage lever on swingarm	M14x1.5	80 Nm (59 lbf ft)	–
Nut, linkage lever to angle lever	M14x1.5	80 Nm (59 lbf ft)	–
Nut, swingarm pivot	M16x1.5	100 Nm (73.8 lbf ft)	–
Nut, rear wheel spindle	M20x1.5	80 Nm (59 lbf ft)	–
Screw, top steering head	M20x1.5	12 Nm (8.9 lbf ft)	–
Screw-in nozzles, cooling system	M20x1.5	12 Nm (8.9 lbf ft)	<b>Loctite® 243™</b>
Screw, front wheel spindle	M24x1.5	45 Nm (33.2 lbf ft)	–

## Brake fluid DOT 4 / DOT 5.1

### According to

- DOT

### Guideline

- Use only brake fluid that complies with the specified standard (see specifications on the container) and that possesses the corresponding properties. KTM recommends **Castrol** and **Motorex®** products.

### Supplier

#### Castrol

- **RESPONSE BRAKE FLUID SUPER DOT 4**

#### Motorex®

- **Brake Fluid DOT 5.1**

## Coolant

### Guideline

- Use only suitable coolant (also in countries with high temperatures). Use of low-quality antifreeze can lead to corrosion and foaming. KTM recommends **Motorex®** products.

### Mixture ratio

Antifreeze protection: -25... -45 °C (-13... -49 °F)	50 % corrosion inhibitor/antifreeze 50 % distilled water
--	---

## Coolant (mixed ready to use)

Antifreeze	-40 °C (-40 °F)
------------	-----------------

### Supplier

#### Motorex®

- **COOLANT G48**

## Engine oil (SAE 10W/60) (00062010035)

### According to

- JASO T903 MA (☛ p. 100)
- SAE (☛ p. 100) (SAE 10W/60)
- KTM LC4 2007+

### Guideline

- Use only engine oils that comply with the specified standards (see specifications on the container) and that possess the corresponding properties. KTM recommends **Motorex®** products.

Synthetic engine oil
----------------------

### Supplier

#### Motorex®

- **Motorex® KTM Cross Power 4T**

## Engine oil (SAE 10W/50)

### According to

- JASO T903 MA (☛ p. 100)
- SAE (☛ p. 100) (SAE 10W/50)

### Guideline

- Use only engine oils that comply with the specified standards (see specifications on the container) and that possess the corresponding properties. KTM recommends **Motorex®** products.

Synthetic engine oil
----------------------

### Supplier

#### Motorex®

- **Cross Power 4T**

**Fork oil (SAE 5)****According to**

- SAE (☛ p. 100) (SAE 5)

**Guideline**

- Use only oils that comply with the specified standards (see specifications on the container) and that possess the corresponding properties. KTM recommends **Motorex®** products.

**Supplier****Motorex®**

- **Racing Fork Oil**

**Shock absorber oil (SAE 2.5) (50180342S1)****According to**

- SAE (☛ p. 100) (SAE 2.5)

**Guideline**

- Use only oils that comply with the specified standards (see specifications on the container) and that possess the corresponding properties.

**Super unleaded (ROZ 95/RON 95/PON 91)****According to**

- DIN EN 228 (ROZ 95/RON 95/PON 91)

**Guideline**

- Only use unleaded super fuel that matches or is equivalent to the specified fuel grade.
- Fuel with an ethanol content of up to 10 % (E10 fuel) is safe to use.

**Info**

Do **not** use fuel containing methanol (e. g. M15, M85, M100) or more than 10 % ethanol (e. g. E15, E25, E85, E100).

## Air filter cleaner

### Guideline

- KTM recommends **Motorex®** products.

### Supplier

#### Motorex®

- **Twin Air Dirt Bio Remover**

## Chain cleaner

### Guideline

- KTM recommends **Motorex®** products.

### Supplier

#### Motorex®

- **Chain Clean**

## Cleaning and preserving materials for metal, rubber and plastic

### Guideline

- KTM recommends **Motorex®** products.

### Supplier

#### Motorex®

- **Protect & Shine**

## High viscosity grease

### Guideline

- KTM recommends **SKF®** products.

### Supplier

#### SKF®

- **LGHB 2**

## Long-life grease

### Guideline

- KTM recommends **Motorex®** products.

### Supplier

#### Motorex®

- **Bike Grease 2000**

## Motorcycle cleaner

### Guideline

- KTM recommends **Motorex®** products.

### Supplier

#### Motorex®

- **Moto Clean 900**

## Off-road chain spray

### Guideline

- KTM recommends **Motorex®** products.

### Supplier

#### Motorex®

- **Chainlube Offroad**

## Oil for foam air filter

### Guideline

- KTM recommends **Motorex®** products.

### Supplier

#### Motorex®

- **Twin Air Liquid Bio Power**

## Paint cleaner and polish for high-gloss and matte finishes, bare metal and plastic surfaces

### Guideline

- KTM recommends **Motorex®** products.

### Supplier

**Motorex®**

- **Clean & Polish**

## Rubber grip adhesive (00062030051)

### Supplier

KTM-Sportmotorcycle AG

- **GRIP GLUE**

## Universal oil spray

### Guideline

- KTM recommends **Motorex®** products.

### Supplier

**Motorex®**

- **Joker 440 Synthetic**

## JASO T903 MA

Different technical development directions required a new specification for 4-stroke motorcycles – the JASO T903 MA Standard. Earlier, engine oils from the automobile industry were used for 4-stroke motorcycles because there was no separate motorcycle specification. Whereas long service intervals are demanded for automobile engines, high performance at high engine speeds are in the foreground for motorcycle engines. With most motorcycles, the gearbox and the clutch are lubricated with the same oil as the engine. The JASO MA Standard meets these special requirements.

## SAE

The SAE viscosity classes were defined by the Society of Automotive Engineers and are used for classifying oils according to their viscosity. The viscosity describes only one property of oil and says nothing about quality.

<b>A</b>		<b>Compression damping, low-speed</b>	
<b>Accessories</b>	5	shock absorber, adjusting	24
<b>Air filter</b>		<b>Coolant</b>	
cleaning	42	draining	71
installing	42	refilling	71
removing	42	<b>Coolant level</b>	
<b>Air filter box</b>		checking	70
cleaning	42	<b>Cooling system</b>	70
<b>Air filter box lid</b>		<b>D</b>	
installing	41	<b>Difficult riding conditions</b>	16
removing	41	dry sand	17
<b>Antifreeze</b>		high temperatures	18
checking	70	low speeds	18
<b>B</b>		low temperatures	18
<b>Basic chassis setting</b>		muddy surfaces	18
checking with rider's weight	24	snow	18
<b>Battery</b>		wet sand	17
installing	67	wet surfaces	18
recharging	68	<b>E</b>	
removing	67	<b>Electric starter button</b>	10
<b>Blink code</b>	84	<b>Engine</b>	
<b>Brake discs</b>		running in	16
checking	54	<b>Engine guard</b>	
<b>Brake fluid</b>		installing	53
front brake, adding	55	removing	53
rear brake, adding	59	<b>Engine number</b>	9
<b>Brake fluid level</b>		<b>Engine oil</b>	
front brake, checking	55	adding	78
rear brake, checking	59	changing	76
<b>Brake linings</b>		<b>Engine oil level</b>	
front brake, changing	56	checking	76
front brake, checking	56	<b>Engine sprocket</b>	
rear brake, changing	60	checking	48
rear brake, checking	60	<b>Environment</b>	6
<b>C</b>		<b>F</b>	
<b>Chain</b>		<b>Factory Start</b>	12
checking	48	activating	31
cleaning	47	<b>Filler cap</b>	
<b>Chain guide</b>		closing	11
adjusting	50	opening	11
checking	48	<b>Foot brake lever</b>	13
<b>Chain tension</b>		basic position, adjusting	58
adjusting	48	free travel, checking	58
checking	47	<b>Fork legs</b>	
<b>Chassis number</b>	9	basic setting, checking	29
<b>Clutch</b>		bleeding	32
fluid level, checking	52	compression damping, adjusting	29
fluid, changing	52	dust boots, cleaning	33
<b>Clutch lever</b>	10	installing	34
basic position, adjusting	52	rebound damping, adjusting	30
<b>Compression damping</b>		removing	34
fork, adjusting	29	<b>Fork protector</b>	
<b>Compression damping, high-speed</b>		installing	35
shock absorber, adjusting	25	removing	35
<b>Compression damping, low-speed</b>		<b>Frame</b>	
shock absorber, adjusting	24	checking	50

**Front fender**  
 installing ..... 39  
 removing ..... 39

**Front wheel**  
 installing ..... 62  
 removing ..... 62

**Fuel screen**  
 changing ..... 75

**Fuel tank**  
 installing ..... 45  
 removing ..... 44

**Fuel, oils, etc.** ..... 5

**Fuse**  
 main fuse, changing ..... 69

**H**

**Hand brake lever** ..... 10  
 basic position, adjusting ..... 54  
 free travel, checking ..... 54

**Handlebar position** ..... 30  
 adjusting ..... 30

**I**

**Idle speed**  
 adjusting ..... 73

**Idle speed adjusting screw** ..... 12

**K**

**Kick starter** ..... 13

**Kill switch** ..... 10

**L**

**Lower triple clamp**  
 installing ..... 36  
 removing ..... 35

**M**

**Main fuse**  
 changing ..... 69

**Main silencer**  
 glass fiber yarn filling, changing ..... 43  
 installing ..... 43  
 removing ..... 43

**Motorcycle**  
 cleaning ..... 80  
 raising with lift stand ..... 32  
 removing from lift stand ..... 32

**O**

**Oil filter**  
 changing ..... 76

**Oil screen**  
 cleaning ..... 76

**Overview of indicator lamps** ..... 11

**Owner's manual** ..... 6

**P**

**Plug-in stand** ..... 13

**Putting into operation**  
 advice on first use ..... 15  
 after storage ..... 81

checks and maintenance before putting into operation . . . 19

**R**

**Rear sprocket**  
 checking ..... 48

**Rear wheel**  
 installing ..... 64  
 removing ..... 63

**Rebound damping**  
 fork, adjusting ..... 30  
 shock absorber, adjusting ..... 26

**Refueling**  
 fuel ..... 21

**Riding sag**  
 adjusting ..... 28

**Rubber grip**  
 checking ..... 51  
 securing ..... 51

**S**

**Seat**  
 mounting ..... 41  
 removing ..... 41

**Service** ..... 5

**Service hour counter** ..... 14

**Service schedule** ..... 22-23

**Shift lever**  
 basic position, adjusting ..... 74  
 basic position, checking ..... 74

**Shock absorber**  
 compression damping, general ..... 24  
 compression damping, high-speed, adjusting ..... 25  
 compression damping, low-speed, adjusting ..... 24  
 installing ..... 40  
 rebound damping, adjusting ..... 26  
 removing ..... 39  
 riding sag, checking ..... 27  
 spring preload, adjusting ..... 27  
 static sag, checking ..... 27

**Side stand** ..... 13

**Spare parts** ..... 5

**Spoke tension**  
 checking ..... 65

**Start number plate**  
 installing ..... 39  
 removing ..... 39

**Starting** ..... 19

**Steering head bearing**  
 greasing ..... 38

**Steering head bearing play**  
 adjusting ..... 38  
 checking ..... 37

**Storage** ..... 81

**Swingarm**  
 checking ..... 51



**T**

**Technical data**

chassis ..... 89-90  
 chassis tightening torques ..... 95  
 engine ..... 85-86  
 engine tightening torques ..... 87-88  
 fork ..... 91-92  
 shock absorber ..... 93-94

**Throttle cable play**

adjusting ..... 73  
 checking ..... 73

**Throttle cable routing**

checking ..... 51

**Throttle grip** ..... 10

**Tire air pressure**

checking ..... 65

**Tire condition**

checking ..... 64

**Transport** ..... 5

**Troubleshooting** ..... 82-83

**Type label** ..... 9

**U**

**Use definition** ..... 5

**V**

**View of vehicle**

front left ..... 7  
 rear right side ..... 8

**W**

**Warranty** ..... 5

**Work rules** ..... 5



3211813en



12/2011 Photo: Mitterbauer



KTM-Sportmotorcycle AG  
5230 Mattighofen/Austria  
<http://www.ktm.com>