

450 SX-F EU
450 SX-F FACTORY EDITION EU
450 SX-F USA
450 SX-F FACTORY EDITION USA
450 XC-F USA

Art. no. 3206145en



KTM

It is important that you read this repair manual carefully and completely before starting work.

This vehicle can only fulfill the demands placed on it in the long run if the specified service work is performed regularly by qualified experts.

The repair manual was written to correspond to the most current state of this model series. We reserve the right to make changes in the interest of technical advancement without, at the same time, updating this repair manual.

We shall not provide a description of general workshop methods. Likewise, safety rules that apply in a workshop are not specified here. It is assumed that repair work will be performed by a fully trained mechanic.

All specifications are non-binding. KTM Sportmotorcycle AG specifically reserves the right to modify or delete technical specifications, prices, colors, forms, materials, services, designs, equipment, etc., without prior notice and without specifying reasons, to adapt these to local conditions, as well as to stop production of a particular model without prior notice. KTM accepts no liability for delivery options, deviations from illustrations and descriptions, as well as misprints and other errors. The models portrayed partly contain special equipment that does not belong to the regular scope of supply.

© 2013 KTM-Sportmotorcycle AG, Mattighofen Austria

All rights reserved

Reproduction, even in part, as well as copying of all kinds, is permitted only with the express written permission of the copyright owner.



ISO 9001(12 100 6061)

According to the international quality management standard ISO 9001, KTM uses quality assurance processes that lead to the maximum possible quality of the products.

Issued by: TÜV Management Service

REG. NO. 12 100 6061

KTM-Sportmotorcycle AG
5230 Mattighofen, Austria

TABLE OF CONTENTS

1	MEANS OF REPRESENTATION	6	6.30	Assembling the fork legs (All SX-F USA models).....	40
1.1	Symbols used	6	6.31	Assembling the fork legs (XC-F).....	44
1.2	Formats used.....	6	6.32	Bleeding and filling the cartridge.....	47
2	SAFETY ADVICE.....	7	6.33	Filling the cartridge with nitrogen	48
2.1	Repair Manual	7	6.34	Greasing the steering head bearing	49
2.2	Safety advice.....	7	6.35	Removing the lower triple clamp.....	49
2.3	Degrees of risk and symbols.....	7	6.36	Installing the lower triple clamp	50
2.4	Work rules.....	7	6.37	Checking the steering head bearing play.....	51
3	IMPORTANT NOTES.....	8	6.38	Adjusting the play of the steering head bearing	52
3.1	Guarantee, warranty	8	7	HANDLEBAR, CONTROLS.....	53
3.2	Operating and auxiliary substances	8	7.1	Handlebar position.....	53
3.3	Spare parts, accessories	8	7.2	Adjusting the handlebar position	53
3.4	Figures	8	7.3	Adjusting the basic position of the clutch lever	53
4	SERIAL NUMBERS	9	7.4	Checking the throttle cable routing	54
4.1	Chassis number	9	7.5	Checking the play in the throttle cable	54
4.2	Type label	9	7.6	Adjusting the play in the throttle cable.....	54
4.3	Engine number	9	8	SHOCK ABSORBER, SWINGARM	56
4.4	Fork part number	9	8.1	Adjusting the high-speed compression damping of the shock absorber	56
4.5	Shock absorber part number	9	8.2	Adjusting the low-speed compression damping of the shock absorber	56
5	MOTORCYCLE	10	8.3	Adjusting the rebound damping of the shock absorber.....	57
5.1	Raising the motorcycle with the lift stand.....	10	8.4	Measuring rear wheel sag unloaded.....	58
5.2	Removing the motorcycle from the lift stand.....	10	8.5	Checking the static sag of the shock absorber....	58
5.3	Starting.....	11	8.6	Checking the riding sag of the shock absorber....	58
5.4	Starting the motorcycle for a check.....	11	8.7	Adjusting the spring preload of the shock absorber.....	59
6	FORK, TRIPLE CLAMP	12	8.8	Adjusting the riding sag.....	59
6.1	Adjusting the compression damping of the fork	12	8.9	Removing the shock absorber	60
6.2	Adjusting the rebound damping of the fork	12	8.10	Installing the shock absorber.....	61
6.3	Bleeding the fork legs.....	13	8.11	Checking the shock absorber linkage.....	62
6.4	Cleaning the dust boots of the fork legs.....	13	8.12	Servicing the shock absorber	64
6.5	Loosening the fork protection	13	8.13	Removing the spring.....	64
6.6	Positioning the fork protection.....	14	8.14	Disassembling the damper	65
6.7	Removing the fork legs	14	8.15	Disassembling the piston rod	66
6.8	Installing the fork legs.....	14	8.16	Disassembling the seal ring retainer.....	67
6.9	Removing the fork protector	15	8.17	Changing the pilot bushing	68
6.10	Installing the fork protector.....	15	8.18	Checking the damper	68
6.11	Conducting major fork service	15	8.19	Removing the heim joint.....	69
6.12	Conducting minor fork service	16	8.20	Installing the heim joint.....	70
6.13	Disassembling the fork legs.....	16	8.21	Assembling the seal ring retainer.....	71
6.14	Disassembling the cartridge	19	8.22	Assembling the piston rod.....	71
6.15	Disassembling the piston rod	21	8.23	Assembling the damper	73
6.16	Disassembling the screw cap with the membrane holder.....	22	8.24	Bleeding and filling the damper	75
6.17	Disassembling the screw sleeve.....	23	8.25	Filling the damper with nitrogen	77
6.18	Checking the fork legs (All SX-F EU models).....	24	8.26	Installing the spring (All SX-F EU models).....	78
6.19	Checking the fork legs (All SX-F USA models)....	25	8.27	Installing the spring (All USA models).....	79
6.20	Checking the fork legs (XC-F)	27	9	EXHAUST	80
6.21	Checking the fork legs - during a minor fork service (All SX-F EU models).....	28	9.1	Removing the manifold.....	80
6.22	Checking the fork legs - during a minor fork service (All SX-F USA models).....	29	9.2	Installing the manifold	80
6.23	Checking the fork legs - during a minor fork service (XC-F)	31	9.3	Removing the main silencer	81
6.24	Changing the pilot bushing	32	9.4	Installing the main silencer.....	81
6.25	Assembling the screw sleeve	33	9.5	Changing the glass fiber yarn filling of the main silencer.....	81
6.26	Assembling the screw cap with the membrane holder.....	33	10	AIR FILTER	83
6.27	Assembling the piston rod.....	34	10.1	Removing the air filter box lid	83
6.28	Assembling the cartridge	35	10.2	Installing the air filter box lid	83
6.29	Assembling the fork legs (All SX-F EU models).....	37	10.3	Removing the air filter	83

10.4	Installing the air filter.....	84	15.6	Adding front brake fluid.....	117
10.5	Cleaning the air filter and air filter box.....	84	15.7	Changing the front brake fluid.....	118
10.6	Sealing the air filter box.....	85	15.8	Checking the rear brake linings.....	119
10.7	Securing the air filter box lid.....	85	15.9	Changing the rear brake linings.....	119
11	FUEL TANK, SEAT, TRIM.....	86	15.10	Checking the free travel of foot brake lever.....	120
11.1	Opening the filler cap.....	86	15.11	Adjusting the basic position of the foot brake lever.....	121
11.2	Closing the filler cap.....	86	15.12	Checking the rear brake fluid level.....	121
11.3	Removing the seat.....	87	15.13	Adding rear brake fluid.....	122
11.4	Mounting the seat.....	87	15.14	Changing the rear brake fluid.....	122
11.5	Removing the fuel tank.....	87	16	ENGINE.....	124
11.6	Installing the fuel tank.....	88	16.1	Removing the engine.....	124
11.7	Checking the fuel pressure.....	89	16.2	Installing the engine.....	129
11.8	Changing the fuel pump.....	90	16.3	Engine disassembly.....	135
11.9	Changing the fuel filter.....	92	16.3.1	Preparations.....	135
11.10	Changing the fuel screen.....	94	16.3.2	Draining the engine oil.....	135
12	MASK, FENDER.....	96	16.3.3	Removing the clutch push rod.....	136
12.1	Removing the front fender.....	96	16.3.4	Removing the oil filter.....	136
12.2	Installing the front fender.....	96	16.3.5	Removing the starter motor.....	136
12.3	Removing the start number plate.....	96	16.3.6	Removing the spark plug.....	136
12.4	Installing the start number plate.....	97	16.3.7	Removing the valve cover.....	137
13	WHEELS.....	98	16.3.8	Removing the alternator cover.....	137
13.1	Checking the tire air pressure.....	98	16.3.9	Positioning the engine at ignition top dead center.....	137
13.2	Checking the tire condition.....	98	16.3.10	Removing the timing chain tensioner.....	138
13.3	Checking the brake discs.....	98	16.3.11	Removing the camshaft.....	138
13.4	Checking the spoke tension.....	99	16.3.12	Removing the cylinder head.....	139
13.5	Front wheel.....	99	16.3.13	Removing the piston.....	139
13.5.1	Removing the front wheel.....	99	16.3.14	Removing the rotor.....	139
13.5.2	Installing the front wheel.....	100	16.3.15	Removing the timing chain.....	140
13.5.3	Removing the brake disc of the front brake.....	101	16.3.16	Removing the ignition pulse generator.....	140
13.5.4	Installing the brake disc of the front brake.....	101	16.3.17	Removing the suction pump.....	141
13.6	Rear wheel.....	102	16.3.18	Removing the water pump cover.....	141
13.6.1	Removing the rear wheel.....	102	16.3.19	Removing the clutch cover.....	141
13.6.2	Installing the rear wheel.....	102	16.3.20	Removing the clutch discs.....	142
13.6.3	Removing the brake disc of the rear brake.....	103	16.3.21	Removing the outer clutch hub.....	143
13.6.4	Installing the brake disc of the rear brake.....	103	16.3.22	Removing the torque limiter.....	144
13.6.5	Checking the chain tension.....	103	16.3.23	Removing the starter idler gear.....	144
13.6.6	Adjusting the chain tension.....	104	16.3.24	Removing the shift shaft.....	144
13.6.7	Adjusting the chain guide.....	105	16.3.25	Removing the shift drum locating unit.....	144
13.6.8	Checking the chain, rear sprocket, engine sprocket and chain guide.....	105	16.3.26	Removing the locking lever.....	144
13.6.9	Checking for chain dirt accumulation.....	107	16.3.27	Removing the force pump.....	145
13.6.10	Cleaning the chain.....	107	16.3.28	Removing the primary gear.....	146
14	WIRING HARNESS, BATTERY.....	108	16.3.29	Removing the freewheel gear.....	146
14.1	Changing the main fuse.....	108	16.3.30	Removing the left engine case section.....	146
14.2	Removing the battery.....	109	16.3.31	Removing the shift rails.....	147
14.3	Installing the battery.....	109	16.3.32	Removing the shift drum.....	147
14.4	Charging the battery.....	110	16.3.33	Removing the shift forks.....	148
14.5	Checking the charging voltage.....	111	16.3.34	Removing the transmission shafts.....	148
14.6	Checking the quiescent current.....	111	16.3.35	Removing the crankshaft.....	149
14.7	Checking the capacitor.....	111	16.4	Work on individual parts.....	150
14.8	Checking the starter relay.....	112	16.4.1	Work on the right section of the engine case.....	150
15	BRAKE SYSTEM.....	114	16.4.2	Work on the left section of the engine case.....	151
15.1	Checking the front brake linings.....	114	16.4.3	Removing the oil pressure regulator valve.....	152
15.2	Changing the front brake linings.....	114	16.4.4	Checking spring length of oil pressure regulator valve.....	152
15.3	Checking the free travel of the hand brake lever.....	115	16.4.5	Installing the oil pressure regulator valve.....	153
15.4	Adjusting the basic position of the hand brake lever.....	116	16.4.6	Changing the crankshaft seal ring in the clutch cover.....	153
15.5	Checking the front brake fluid level.....	116	16.4.7	Removing the water pump.....	153

16.4.8	Installing the water pump	154	16.5.22	Installing the rotor	192
16.4.9	Removing the timing chain sprocket	155	16.5.23	Installing the piston	192
16.4.10	Installing the timing chain sprocket	155	16.5.24	Installing the cylinder head	194
16.4.11	Changing the connecting rod, conrod bearing, and crank pin	155	16.5.25	Installing the camshaft	195
16.4.12	Checking crankshaft run-out at bearing pin	157	16.5.26	Installing the timing chain tensioner	195
16.4.13	Cylinder - Nikasil® coating	157	16.5.27	Checking the valve clearance	196
16.4.14	Checking/measuring the cylinder	157	16.5.28	Adjusting the valve clearance	196
16.4.15	Checking/measuring the piston	158	16.5.29	Installing the alternator cover	196
16.4.16	Checking the piston ring end gap	158	16.5.30	Installing the valve cover	197
16.4.17	Measuring the piston/cylinder mounting clearance	159	16.5.31	Installing the spark plug	197
16.4.18	Checking the oil pumps	159	16.5.32	Installing the starter motor	197
16.4.19	Disassembling the autodecompressor	159	16.5.33	Installing the oil filter	197
16.4.20	Assembling the autodecompressor	160	16.5.34	Installing the clutch push rod	198
16.4.21	Checking camshaft	161	16.5.35	Installing the oil screens	198
16.4.22	Checking the timing assembly	161	16.5.36	Removing the engine from the engine assembly stand	199
16.4.23	Removing the rocker arm	162	17	CLUTCH	200
16.4.24	Removing the valves	162	17.1	Checking/correcting the fluid level of the hydraulic clutch	200
16.4.25	Changing camshaft bearing	163	17.2	Changing the hydraulic clutch fluid	200
16.4.26	Checking the valves	163	18	WATER PUMP, COOLING SYSTEM	201
16.4.27	Checking valve springs	164	18.1	Cooling system	201
16.4.28	Checking valve spring seat	164	18.2	Checking the antifreeze and coolant level	201
16.4.29	Checking the cylinder head	164	18.3	Checking the coolant level	201
16.4.30	Checking the rocker arm shafts	165	18.4	Draining the coolant	202
16.4.31	Installing the valves	165	18.5	Refilling coolant	203
16.4.32	Installing the rocker arm	166	19	LUBRICATION SYSTEM	204
16.4.33	Checking the clutch	167	19.1	Oil circuit	204
16.4.34	Checking the shift mechanism	168	19.2	Checking the engine oil level	204
16.4.35	Preassembling the shift shaft	170	19.3	Changing the engine oil and oil filter, cleaning the oil screens	205
16.4.36	Disassembling the main shaft	171	19.4	Adding engine oil	207
16.4.37	Disassembling the countershaft	172	19.5	Checking the engine oil pressure	207
16.4.38	Checking the transmission	173	20	IGNITION	209
16.4.39	Assembling the main shaft	176	20.1	Ignition coil - checking the secondary winding	209
16.4.40	Assembling the countershaft	177	20.2	Checking the spark plug connector	209
16.4.41	Checking the starter drive	179	20.3	Alternator - checking stator winding	209
16.4.42	Checking the freewheel	180	20.4	Removing the stator	210
16.4.43	Removing the freewheel	180	20.5	Installing the stator	210
16.4.44	Installing the freewheel	180	21	ELECTRIC STARTER	211
16.5	Engine assembly	181	21.1	Checking the starter motor	211
16.5.1	Installing the crankshaft	181	22	THROTTLE VALVE BODY	212
16.5.2	Installing the transmission shafts	181	22.1	Executing the initialization run	212
16.5.3	Installing the shift forks	182	22.2	Adjusting the idle speed	212
16.5.4	Installing the shift drum	183	23	TECHNICAL DATA	213
16.5.5	Installing the shift rails	183	23.1	Engine	213
16.5.6	Installing the left engine case	184	23.2	Engine tolerance, wear limits	213
16.5.7	Installing the freewheel gear	185	23.3	Engine tightening torques	214
16.5.8	Installing the primary gear	185	23.4	Capacities	215
16.5.9	Installing the force pump	185	23.4.1	Engine oil	215
16.5.10	Installing the locking lever	186	23.4.2	Coolant	215
16.5.11	Installing the shift drum locating unit	186	23.4.3	Fuel	215
16.5.12	Installing the shift shaft	187	23.5	Chassis	215
16.5.13	Installing the starter idler gear	187	23.6	Electrical system	216
16.5.14	Installing the torque limiter	187	23.7	Tires	216
16.5.15	Installing the outer clutch hub	187	23.8	Fork	217
16.5.16	Installing the clutch discs	188	23.8.1	All SX-F EU models	217
16.5.17	Installing the clutch cover	190	23.8.2	All SX-F USA models	217
16.5.18	Installing the water pump cover	190	23.8.3	XC-F	217
16.5.19	Installing the suction pump	191	23.9	Shock absorber	218
16.5.20	Installing the ignition pulse generator	191	23.9.1	All SX-F EU models	218
16.5.21	Installing the timing chain	191			

TABLE OF CONTENTS

23.9.2	All SX-F USA models.....	218
23.9.3	XC-F	219
23.10	Chassis tightening torques	220
24	CLEANING/PROTECTIVE TREATMENT.....	221
24.1	Cleaning the motorcycle	221
25	STORAGE.....	222
25.1	Storage	222
25.2	Preparing for use after storage.....	222
26	SERVICE SCHEDULE	223
26.1	Service schedule.....	223
26.2	Service work (as additional order)	224
27	WIRING DIAGRAM	226
27.1	Page 1 of 3 (All SX-F models)	226
27.2	Page 2 of 3 (All SX-F models)	228
27.3	Page 3 of 3 (All SX-F models)	230
27.4	Page 1 of 3 (XC-F)	232
27.5	Page 2 of 3 (XC-F)	234
27.6	Page 3 of 3 (XC-F)	236
28	SUBSTANCES	238
29	AUXILIARY SUBSTANCES	240
30	SPECIAL TOOLS	242
31	STANDARDS	256
	INDEX.....	257

1.1 Symbols used

The meaning of specific symbols is described below.



Indicates an expected reaction (e.g. of a work step or a function).



Indicates an unexpected reaction (e.g. of a work step or a function).



Indicates a page reference (more information is provided on the specified page).



Indicates information with more details or tips.



Indicates the result of a testing step.



Denotes a voltage measurement.



Denotes a current measurement.



Denotes a resistance measurement.

1.2 Formats used

The typographical formats used in this document are explained below.

Proprietary name Identifies a proprietary name.

Name® Identifies a protected name.

Brand™ Identifies a trademark.

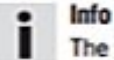
2.1 Repair Manual

Read this Repair Manual carefully and thoroughly before beginning work. It contains useful information and tips that will help you repair and maintain your vehicle.

This manual assumes that the necessary special KTM tools and KTM workplace and workshop equipment are available.

2.2 Safety advice

A number of safety instructions need to be followed to operate the vehicle safely. Therefore, read this manual carefully. The safety instructions are highlighted in the text and are referred to at the relevant passages.



Info

The vehicle has various information and warning labels at prominent locations. Do not remove information/warning labels. If they are missing, you or others may not recognize dangers and may therefore be injured.

2.3 Degrees of risk and symbols



Danger

Identifies a danger that will immediately and invariably lead to fatal or serious permanent injury if the appropriate measures are not taken.



Warning

Identifies a danger that is likely to lead to fatal or serious injury if the appropriate measures are not taken.



Caution

Identifies a danger that may lead to minor injuries if the appropriate measures are not taken.

Note

Identifies a danger that will lead to considerable machine and material damage if the appropriate measures are not taken.



Warning

Identifies a danger that will lead to environmental damage if the appropriate measures are not taken.

2.4 Work rules

Special tools are necessary for certain tasks. The tools are not contained in the vehicle but can be ordered under the number in parentheses. E.g.: bearing puller (15112017000)

During assembly, non-reusable parts (e.g. self-locking screws and nuts, seals and seal rings, O-rings, pins, lock washers) must be replaced by new parts.

In some instances, a thread locker (e.g. **Loctite®**) is required. The manufacturer instructions for use must be followed.

After disassembly, clean the parts that are to be reused and check them for damage and wear. Change damaged or worn parts.

After you complete the repair or service work, check the operating safety of the vehicle.

3.1 Guarantee, warranty

The work prescribed in the service schedule must be carried out by an authorized KTM workshop only and confirmed in the customer's Service & Warranty Booklet and in the **KTM dealer.net**; otherwise, all warranty claims will be void. No warranty claims can be considered for damage resulting from manipulations and/or alterations to the vehicle.

Additional information on the guarantee or warranty and the procedures involved can be found in the Service & Warranty Booklet.

3.2 Operating and auxiliary substances



Warning

Environmental hazard Improper handling of fuel is a danger to the environment.

- Do not allow fuel to get into the ground water, the ground, or the sewage system.

Use the operating and auxiliary substances (such as fuel and lubricants) as specified in the manual.

3.3 Spare parts, accessories

Only use spare parts and accessories approved and/or recommended by KTM. KTM accepts no liability for other products and any resulting damage or loss.

The current **KTM PowerParts** for your vehicle can be found on the KTM website.

International KTM Website: <http://www.ktm.com>

3.4 Figures

The figures contained in the manual may depict special equipment.

In the interest of clarity, some components may be shown disassembled or may not be shown at all. It is not always necessary to disassemble the component to perform the activity in question. Please follow the instructions in the text.

4.1 Chassis number



The chassis number ❶ is stamped on the right side of the steering head.

4.2 Type label



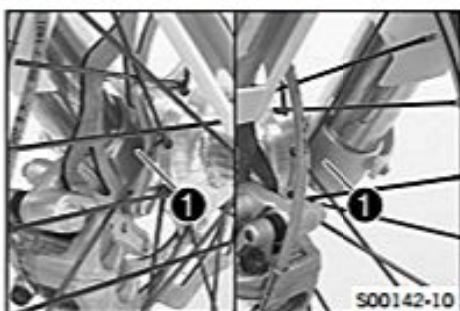
The type label ❶ is fixed to the front of the steering head.

4.3 Engine number



The engine number ❶ is stamped on the left side of the engine under the engine sprocket.

4.4 Fork part number



The fork part number ❶ is stamped on the inner side of the axle clamp.

4.5 Shock absorber part number



The shock absorber part number ❶ is stamped on the top of the shock absorber above the adjusting ring on the engine side.

5.1 Raising the motorcycle with the lift stand

Note

Danger of damage The parked vehicle may roll away or fall over.

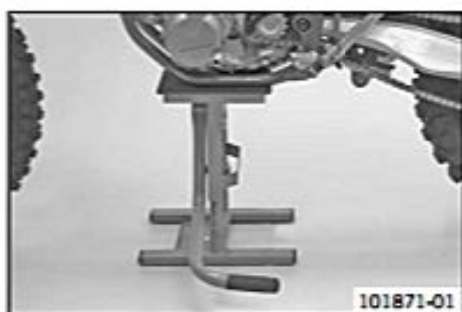
- Always place the vehicle on a firm and even surface.



(All SX-F models)

- Raise the motorcycle at the frame underneath the engine.
 - ✓ The wheels must no longer touch the ground.
- Secure the motorcycle against falling over.

Lift stand (54829055000) (← p. 243)



(XC-F)

- Raise the motorcycle at the frame underneath the engine.
 - ✓ The wheels must no longer touch the ground.
- Secure the motorcycle against falling over.

Lift stand (54829055000) (← p. 243)

5.2 Removing the motorcycle from the lift stand

Note

Danger of damage The parked vehicle may roll away or fall over.

- Always place the vehicle on a firm and even surface.



(All SX-F models)

- Remove the motorcycle from the lift stand.
- Remove the lift stand.
- To park the motorcycle, insert plug-in stand ❶ into the left side of the wheel spindle.



Info

Remove the plug-in stand before riding.



(XC-F)

- Remove the motorcycle from the lift stand.
- Remove the lift stand.
- To park the motorcycle, press side stand ❶ to the ground with your foot and lean the motorcycle on it.



Info

When you are riding, the side stand must be folded up and secured with the rubber band.

5.3 Starting

- Danger**
Danger of poisoning Exhaust gases are toxic and inhaling them may result in unconsciousness and/or death.
- When running the engine, always make sure there is sufficient ventilation, and do not start or run the engine in an enclosed space without an effective exhaust extraction system.

Note

Engine failure High engine speeds in cold engines have a negative effect on the service life of the engine.

- Always warm up the engine at low engine speeds.

**(All SX-F models)**

- Remove the plug-in stand.

(XC-F)

- Raise the motorcycle off of the stand and secure the stand with the rubber band.
- Shift gear to neutral.

Condition

Ambient temperature: < 20 °C (< 68 °F)

- Pull the cold start button out all the way.
- Press the electric starter button (ⓘ).

**Info**

Press the electric starter button for at most 5 seconds. Wait for a least 5 seconds before trying again.

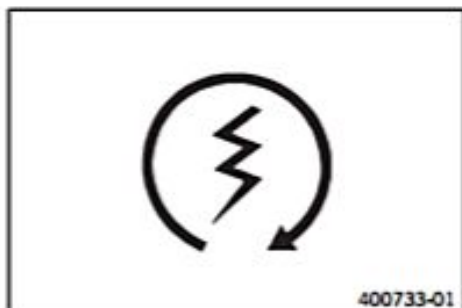
FI warning lamp lights up briefly as a functional control when starting.

5.4 Starting the motorcycle for a check

- Danger**
Danger of poisoning Exhaust gases are toxic and inhaling them may result in unconsciousness and/or death.
- When running the engine, always make sure there is sufficient ventilation, and do not start or run the engine in an enclosed space without an effective exhaust extraction system.

**Info**

Press the starter for a maximum of 5 seconds. Wait for at least 5 seconds before trying again.



- Shift gear to neutral.
- Press the electric starter button (ⓘ).

**Info**

Do not open the throttle.

6.1 Adjusting the compression damping of the fork

- i** **Info**
The hydraulic compression damping determines the fork suspension behavior.



- Turn adjusting screws ① clockwise all the way.

- i** **Info**
Adjusting screws ① are located at the top end of the fork legs. Make the same adjustment on both fork legs.

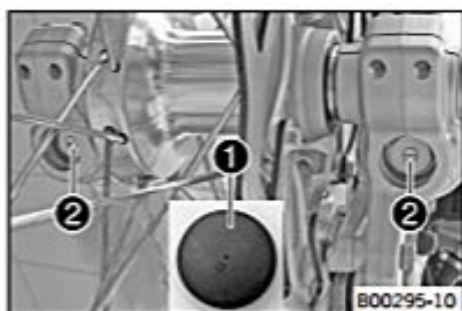
- Turn counterclockwise by the number of clicks corresponding to the fork type.
Guideline

Compression damping (All SX-F EU models)	
Comfort	14 clicks
Standard	12 clicks
Sport	10 clicks
Compression damping (All SX-F USA models)	
Comfort	14 clicks
Standard	12 clicks
Sport	10 clicks
Compression damping (XC-F)	
Comfort	14 clicks
Standard	12 clicks
Sport	10 clicks

- i** **Info**
Turn clockwise to increase damping; turn counterclockwise to reduce damping.

6.2 Adjusting the rebound damping of the fork

- i** **Info**
The hydraulic rebound damping determines the fork suspension behavior.



- Remove protection caps ①.
- Turn adjusting screws ② clockwise all the way.

- i** **Info**
Adjusting screws ② are located at the bottom end of the fork legs. Make the same adjustment on both fork legs.

- Turn counterclockwise by the number of clicks corresponding to the fork type.
Guideline

Rebound damping (All SX-F EU models)	
Comfort	14 clicks
Standard	12 clicks
Sport	10 clicks
Rebound damping (All SX-F USA models)	
Comfort	14 clicks
Standard	12 clicks
Sport	10 clicks
Rebound damping (XC-F)	
Comfort	14 clicks
Standard	12 clicks
Sport	10 clicks

**Info**

Turn clockwise to increase damping; turn counterclockwise to reduce damping.

- Mount protection caps ❶.

6.3 Bleeding the fork legs

**Preparatory work**

- Raise the motorcycle with the lift stand. (☞ p. 10)

Main work

- Release bleeder screws ❶.
- ✓ Any excess pressure escapes from the interior of the fork.
- Mount and tighten bleeder screws.

Finishing work

- Remove the motorcycle from the lift stand. (☞ p. 10)

6.4 Cleaning the dust boots of the fork legs

**Preparatory work**

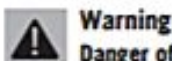
- Raise the motorcycle with the lift stand. (☞ p. 10)
- Loosen the fork protection. (☞ p. 13)

Main work

- Push dust boots ❶ of both fork legs downward.

**Info**

The dust boots remove dust and coarse dirt particles from the inside fork tubes. Over time, dirt can penetrate behind the dust boots. If this dirt is not removed, the oil seals behind can start to leak.

**Warning**

Danger of accidents Reduced braking efficiency due to oil or grease on the brake discs.

- Always keep the brake discs free of oil and grease, and clean them with brake cleaner when necessary.

- Clean and oil the dust boots and inner fork tube of both fork legs.

Universal oil spray (☞ p. 241)

- Press the dust boots back into their normal position.
- Remove excess oil.

Finishing work

- Position the fork protection. (☞ p. 14)
- Remove the motorcycle from the lift stand. (☞ p. 10)

6.5 Loosening the fork protection



- Remove screws ❶ and take off the clamp.
- Remove screws ❷ on the left fork leg. Push the fork protection downwards.
- Remove the screws on the right fork leg. Push the fork protection downwards.

6.6 Positioning the fork protection



- Position the fork protection on the left fork leg. Mount and tighten screws ❶.

Guideline

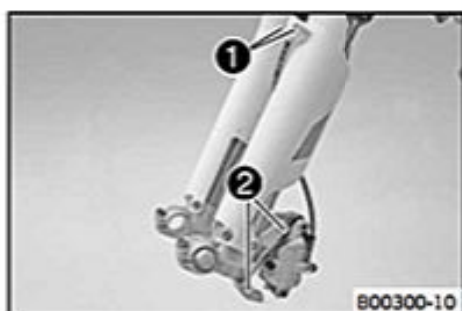
Remaining screws, chassis	M6	10 Nm (7.4 lbf ft)
---------------------------	----	--------------------

- Position the brake line and clamp. Mount and tighten screws ❷.
- Position the fork protection on the right fork leg. Mount and tighten the screws.

Guideline

Remaining screws, chassis	M6	10 Nm (7.4 lbf ft)
---------------------------	----	--------------------

6.7 Removing the fork legs



Preparatory work

- Raise the motorcycle with the lift stand. (☞ p. 10)
- Remove the front wheel. (☞ p. 99)

Main work

- Remove screws ❶ and take off the clamp.
- Remove screws ❷ and take off the brake caliper.
- Allow the brake caliper and brake line to hang tension-free to the side.

Info

Do not pull the hand brake lever if the front wheel has been removed.



- Loosen screws ❸. Take out the left fork leg.
- Unscrew screws ❹. Take out the right fork leg.

6.8 Installing the fork legs



Main work

- Position the fork legs.

Info

Grooves are milled into the side of the upper end of the fork legs. The second milled groove (from the top) must be flush with the top edge of the upper triple clamp.

Position bleeder screws ❶ toward the front.



- Tighten screws ❷.

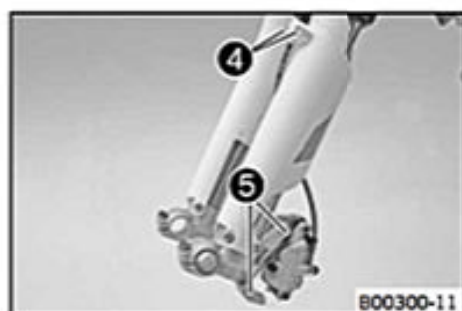
Guideline

Screw, top triple clamp	M8	17 Nm (12.5 lbf ft)
-------------------------	----	------------------------

- Tighten screws ❸.

Guideline

Screw, bottom triple clamp	M8	12 Nm (8.9 lbf ft)
----------------------------	----	--------------------



- Position the brake caliper. Mount and tighten screws ④.

Guideline

Screw, front brake caliper	M8	25 Nm (18.4 lbf ft)	Loctite® 243™
----------------------------	----	------------------------	---------------

- Position the brake line and clamp. Mount and tighten screws ⑤.

Finishing work

- Install the front wheel. (↖ p. 100)

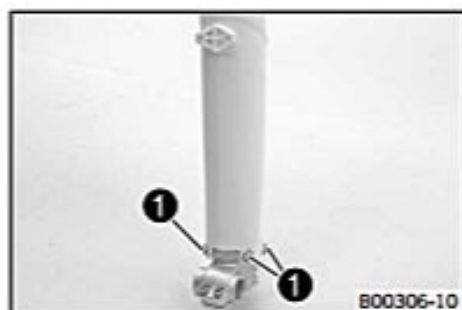
6.9 Removing the fork protector

Preparatory work

- Raise the motorcycle with the lift stand. (↖ p. 10)
- Remove the front wheel. (↖ p. 99)
- Remove the fork legs. (↖ p. 14)

Main work

- Remove screws ① on the left fork leg. Remove the fork protector from above.
- Remove the screws on the right fork leg. Remove the fork protector from above.



6.10 Installing the fork protector

Main work

- Position the fork protection on the left fork leg. Mount and tighten screws ①.

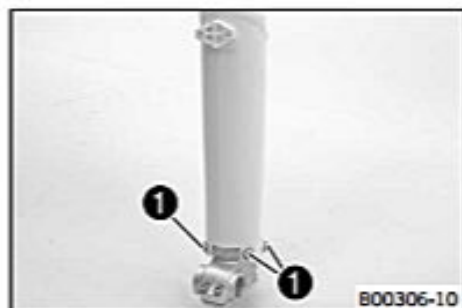
Guideline

Remaining screws, chassis	M6	10 Nm (7.4 lbf ft)
---------------------------	----	--------------------

- Position the fork protection on the right fork leg. Mount and tighten the screws.

Guideline

Remaining screws, chassis	M6	10 Nm (7.4 lbf ft)
---------------------------	----	--------------------



Finishing work

- Install the fork legs. (↖ p. 14)
- Install the front wheel. (↖ p. 100)

6.11 Conducting major fork service

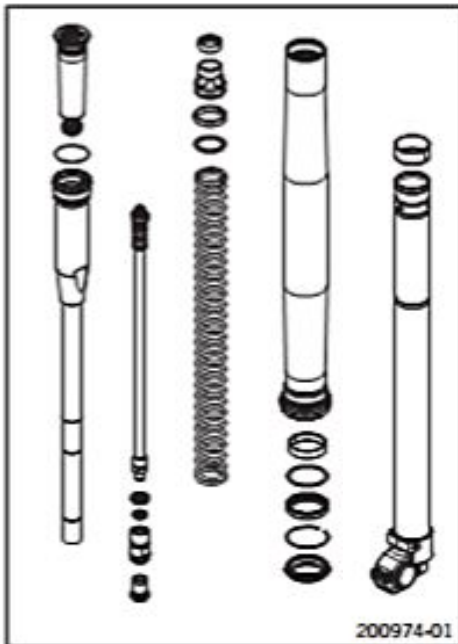


Info

The steps are identical for both fork legs.

Condition

The fork legs are disassembled.

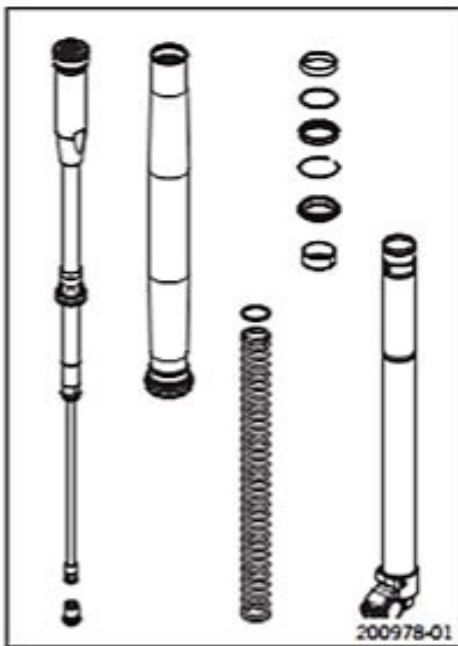


- Disassemble the fork legs. (☛ p. 16)
- Disassemble the cartridge. (☛ p. 19)
- Disassemble the piston rod. (☛ p. 21)
- Disassemble the screw cap with the membrane holder. (☛ p. 22)
- Disassemble the screw sleeve. (☛ p. 23)
- Check the fork legs. (☛ p. 24)
- Change the pilot bushing. (☛ p. 32)
- Assemble the screw sleeve. (☛ p. 33)
- Assemble the screw cap with the membrane holder. (☛ p. 33)
- Assemble the piston rod. (☛ p. 34)
- Assemble the cartridge. (☛ p. 35)
- Assemble the fork legs. (☛ p. 37)

6.12 Conducting minor fork service

i Info
The steps are identical for both fork legs.

Condition
The fork legs are disassembled.



- Disassemble the fork legs. (☛ p. 16)
- Check the fork legs - during a minor fork service. (☛ p. 28)
- Assemble the fork legs. (☛ p. 37)

6.13 Disassembling the fork legs

i Info
The steps are identical for both fork legs.

Condition
The fork legs are disassembled.



- Remove protection cap ❶.
- Note down the present state of rebound damping ❶ and compression damping ❷.
- Fully open the adjusters of the rebound and compression damping.

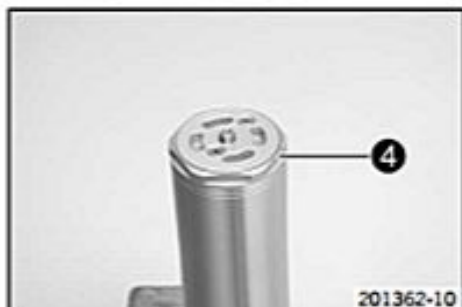


- Clamp the fork leg in the area of the lower triple clamp.

Clamping stand (T1403S) (☞ p. 254)



- Remove the screw. Remove adjuster ❸ of the compression damping.



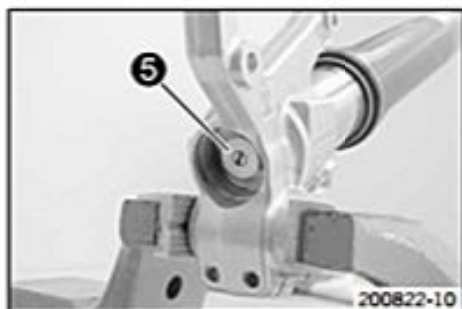
- Loosen cartridge ❹.

Ring wrench (T14017) (☞ p. 252)

i Info
The cartridge cannot be taken off yet.



- Unclamp the fork leg.
- Push the outer tube down. Drain the fork oil.



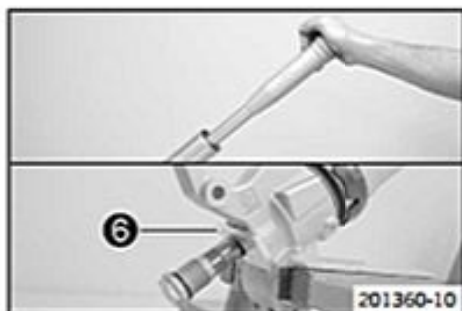
- Clamp the fork leg with the axle clamp.

Guideline

Use soft jaws.

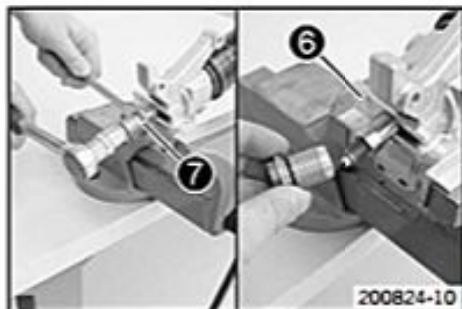
- Loosen rebound adjustment ❺.

i Info
Do not use an impact wrench.
Place a fluid collector beneath it, as usually some oil will drain out.
The rebound adjustment cannot be removed yet.

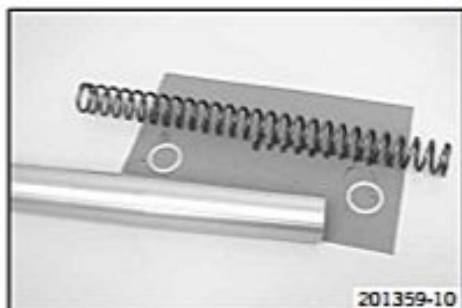


- Press the cartridge against the spring and mount special tool ⑥ on the piston rod.

Support tool (T14020) (☛ p. 253)



- Hold nut ⑦ and remove the rebound adjuster.
- Press the cartridge against the spring and remove special tool ⑥.
- Remove the cartridge from the fork leg.
- Unclamp the fork leg.



- Remove the preload spacers and spring.



- Remove dust boot ⑧.
- Remove fork protection ring ⑨.

i Info

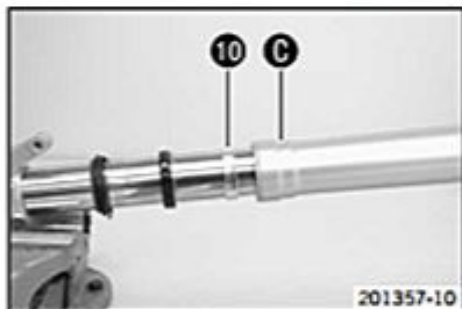
The fork protection ring does not necessarily need to be removed for repair work.



- Remove lock ring ⑨.

i Info

The lock ring has a ground end against which a screwdriver can be positioned.



- Warm the outer tube in area ⑩ of the lower sliding bushing.
- Guideline

50 °C (122 °F)

- Pull the outer tube forcefully off of the inner tube.

i Info

The lower sliding bushing ⑩ must be pulled out of its bearing seat.

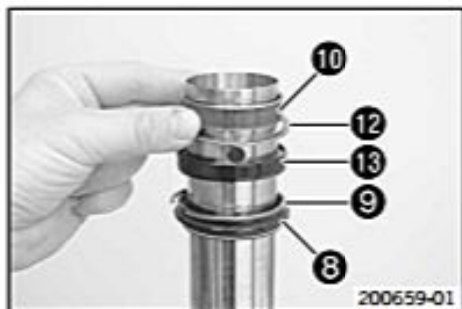


- Remove upper sliding bushing ①.



Info

Without using a tool, carefully pull the stack apart by hand.



- Take off the lower sliding bushing ⑩.
- Take off support ring ⑫.
- Take off seal ring ⑬.
- Take off lock ring ⑨.
- Take off dust boot ⑧.
- Unclamp the fork leg.

6.14 Disassembling the cartridge



Info

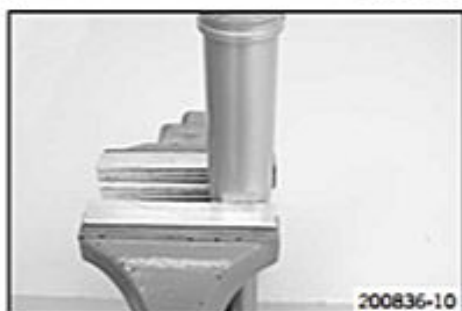
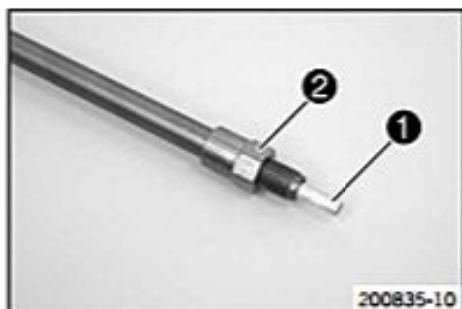
The steps are identical for both fork legs.

Preparatory work

- Disassemble the fork legs. (☛ p. 16)

Main work

- Remove adjusting tube ① and nut ②.



- Clamp the cartridge into a vise.



Info

Use soft jaws.



- Remove filling screw ③.



- Pierce the membrane with the needle of the special tool.

Nitrogen charging tool (T14019) (☛ p. 253)

- ✓ The pressurized nitrogen is bled off.



- Loosen and remove screw cap ④ with the membrane holder.

Pin wrench (T103) (☛ p. 250)

- Unclamp the cartridge.



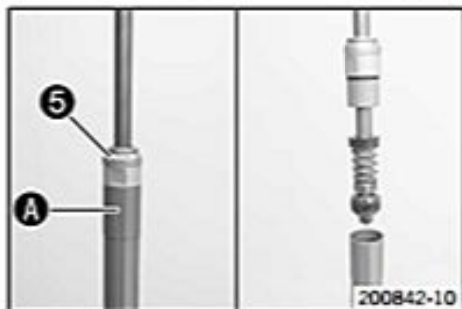
- Empty the cartridge.



- Reclamp the cartridge upside down.

Guideline

Use soft jaws.

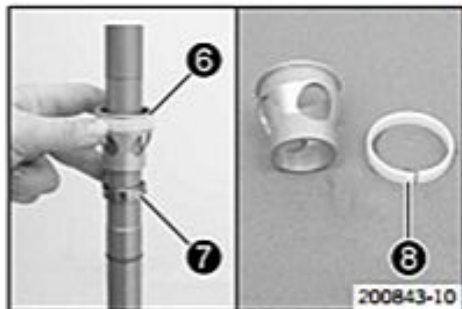


- Heat the cartridge in area ⑤ of pilot bushing ⑥.

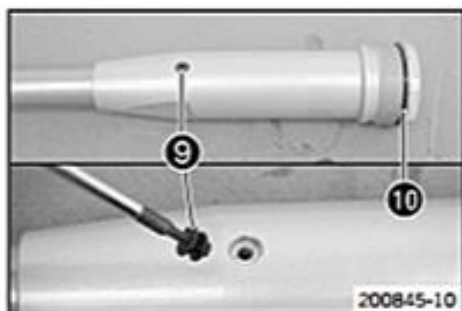
Guideline

100 °C (212 °F)

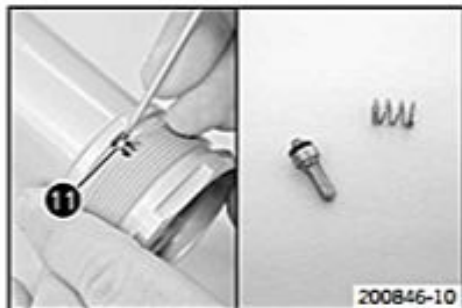
- Loosen the screw sleeve and remove the piston rod.



- Remove spring guide ⑥ and ring ⑦.
- Remove guide ring ⑧.



- Remove filling screw 9 and O-ring 10.



- Press check valve 11 against the spring and remove it.

6.15 Disassembling the piston rod

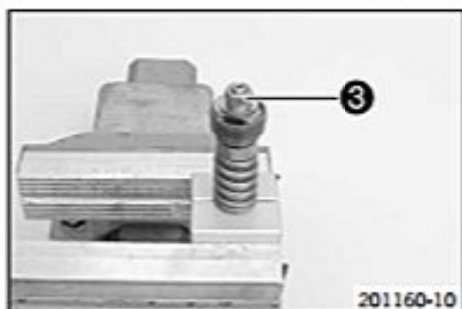
i Info
The steps are identical for both fork legs.

Preparatory work

- Disassemble the fork legs. (☛ p. 16)
- Disassemble the cartridge. (☛ p. 19)

Main work

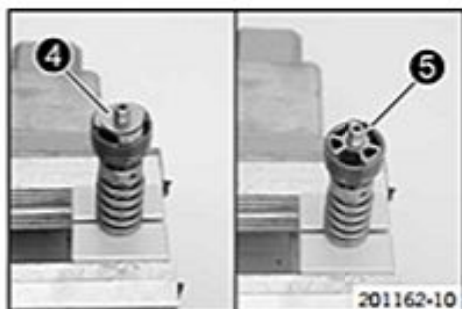
- Remove screw sleeve 1 and washer 2 from the piston rod.



- Degrease the piston rod.
- Clamp the piston rod with the special tool as far up as possible.

Clamping stand (T14016S) (☛ p. 252)

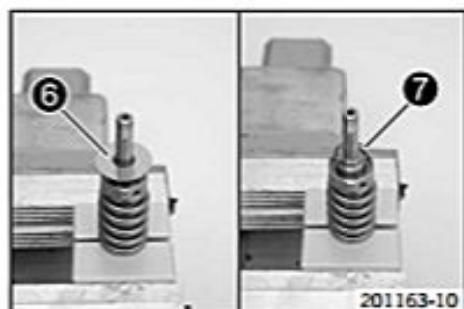
- Remove nut 4.



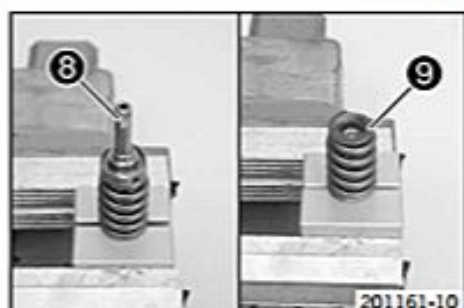
- Remove rebound shim stack 4.
- Remove rebound piston 5.



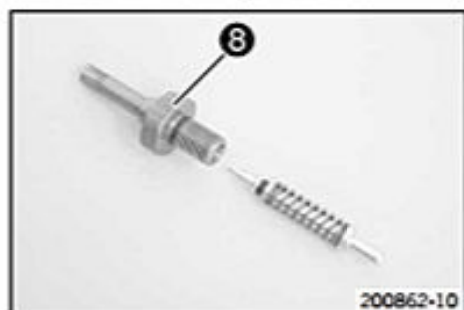
- Remove the piston ring from the piston.



- Remove compression shim stack ⑥.
- Remove spring ⑦.



- Remove tap rebound ⑧.
- Remove spring ⑨ with the sleeve.



- Remove the valve with the spring from tap rebound ⑧.
- Remove the O-rings.

6.16 Disassembling the screw cap with the membrane holder

i Info
The steps are identical for both fork legs.

Preparatory work

- Disassemble the fork legs. (☛ p. 16)
- Disassemble the cartridge. (☛ p. 19)

Main work

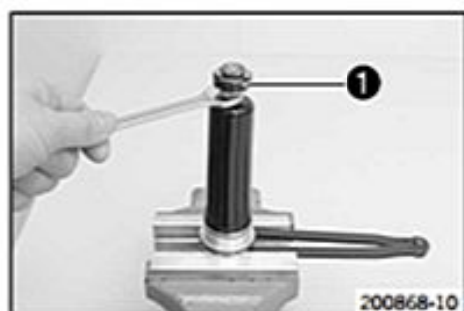
- Clamp the screw cap with the membrane holder and the special tool into a vise.

Guideline

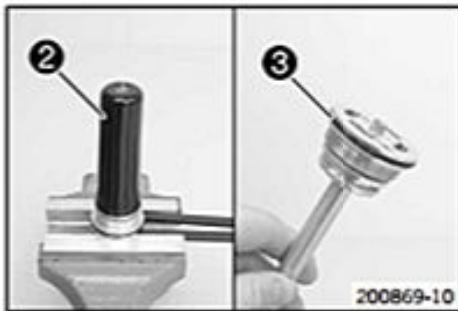
Use soft jaws.

Pin wrench (T103) (☛ p. 250)

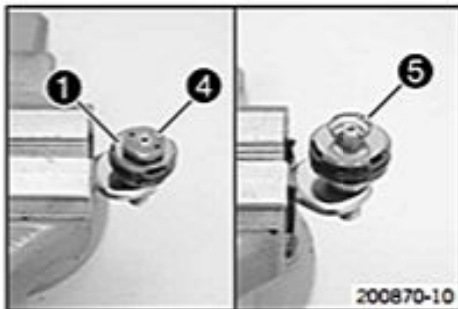
i Info
Only tighten the vise lightly.



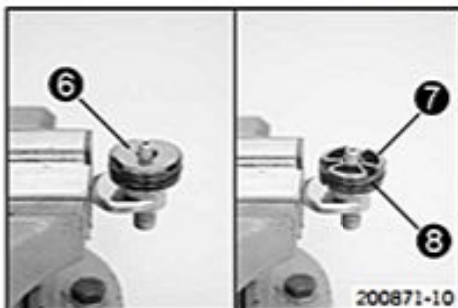
- Remove compression holder ①.



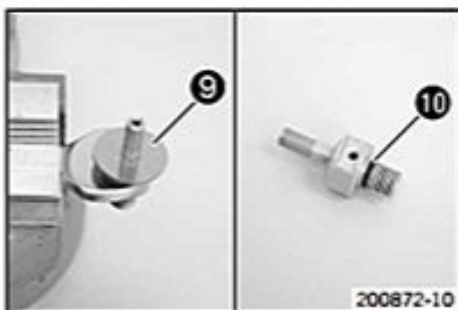
- Remove membrane ②. Unclamp the special tool.
- Remove O-ring ③.



- Clamp the open end wrench in a vise. Position compression holder ④.
- Remove nut ⑤.
- Remove spring ⑥.



- Remove rebound washer ⑥.
- Remove compression piston ⑦. Remove O-ring ⑧.



- Remove compression shim stack ⑨.
- Remove O-ring ⑩.

6.17 Disassembling the screw sleeve



Info

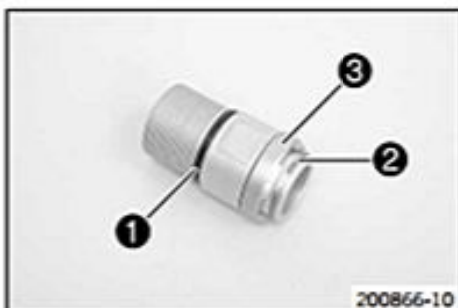
The steps are identical for both fork legs.

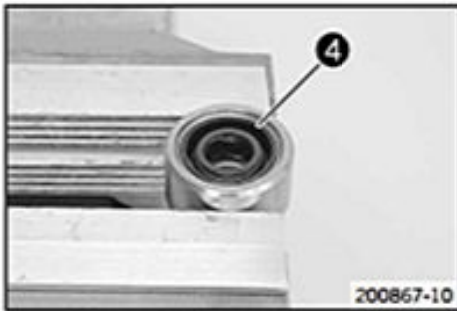
Preparatory work

- Disassemble the fork legs. (☛ p. 16)
- Disassemble the cartridge. (☛ p. 19)
- Disassemble the piston rod. (☛ p. 21)

Main work

- Remove O-ring ①.
- Remove lock ring ②. Remove ring ③.





- Screw the special tool onto the screw sleeve.

Threaded bushing (T14023) (☛ p. 253)

- ✓ The special tool must have an overhang to protect the thread.

Overhang	1 mm (0.04 in)
----------	----------------

- Pry out seal ring ④, being sure only to brace the lever against the special tool.

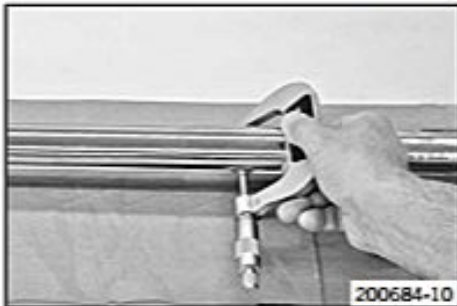
6.18 Checking the fork legs (All SX-F EU models)

Condition

The fork legs have been disassembled.



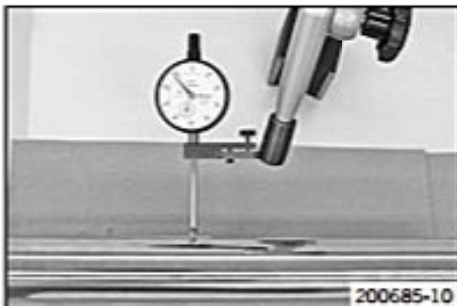
- Check the inner tube and axle clamp for damage.
 - If there is damage:
 - Change the inner tube.



- Measure the outside diameter of the inner tube at several locations.

Outside diameter of the inner tube	47.975... 48.005 mm (1.88878... 1.88996 in)
------------------------------------	---

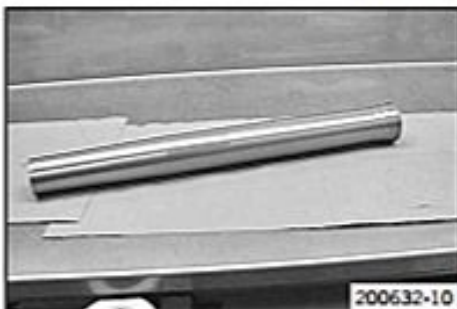
- If the measured value is less than the specified value:
 - Change the inner tube.



- Measure the run-out of the inner tube.

Inner tube run-out	≤ 0.20 mm (≤ 0.0079 in)
--------------------	-------------------------

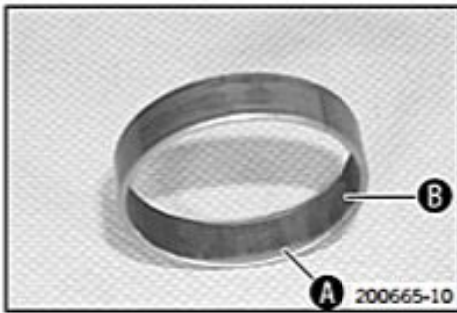
- If the measured value is greater than the specified value:
 - Change the inner tube.



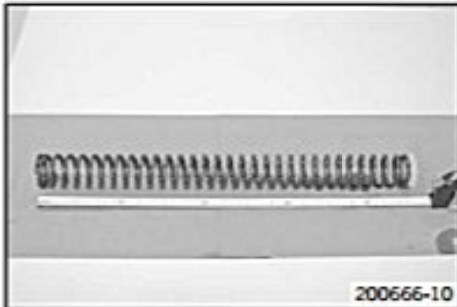
- Measure the inside diameter of the outer tube at several locations.

Inside diameter of the outer tube	≤ 49.20 mm (≤ 1.937 in)
-----------------------------------	-------------------------

- If the measured value is greater than the specified value:
 - Change the outer tube.
- Check the outer tube for damage.
 - If there is damage:
 - Change the outer tube.



- Check the surface of the sliding bushing.
 - If the bronze-colored layer **A** under the sliding layer **B** is visible or the surface is rough:
 - Replace the sliding bushing.

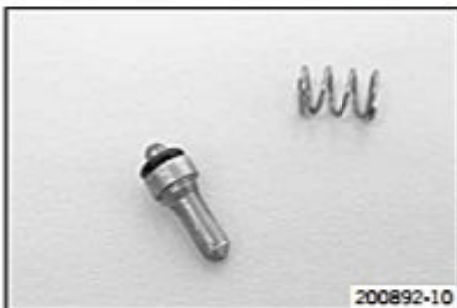


- Check the spring length.

Guideline

Spring length with preload spacer(s)	497 mm (19.57 in)
--------------------------------------	-------------------

- If the measured value is greater than the specified value:
 - Reduce the thickness of the preload spacers.
- If the measured value is less than the specified value:
 - Increase the thickness of the preload spacers.



- Check the check valve spring length.

Guideline

Spring length of the check valve	≥ 5.8 mm (≥ 0.228 in)
----------------------------------	-----------------------

- If the measured value is less than the specified value:
 - Change the spring.



- Check the piston rod for damage.

- If there is damage:
 - Replace the piston rod.

- Measure the outside diameter of the piston rod at several locations.

Outside diameter of the piston rod	≥ 11.965 mm (≥ 0.47106 in)
------------------------------------	----------------------------

- If the measured value is less than the specified value:
 - Replace the piston rod.

- Measure the run-out of the piston rod.

Run-out of the piston rod	≤ 0.40 mm (≤ 0.0157 in)
---------------------------	-------------------------

- If the measured value is greater than the specified value:
 - Replace the piston rod.

6.19 Checking the fork legs (All SX-F USA models)

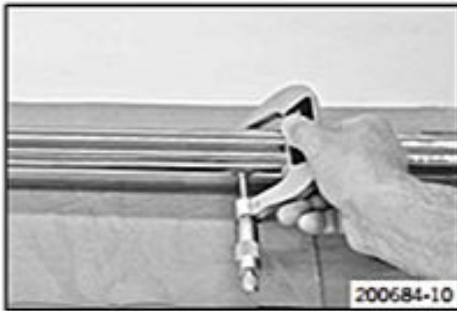
Condition

The fork legs have been disassembled.



- Check the inner tube and axle clamp for damage.

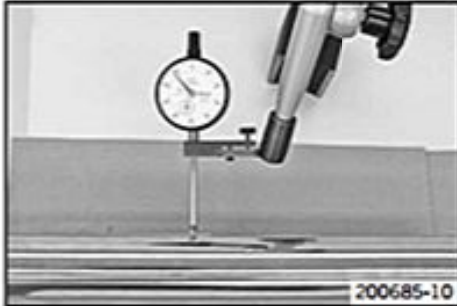
- If there is damage:
 - Change the inner tube.



- Measure the outside diameter of the inner tube at several locations.

Outside diameter of the inner tube	47.975... 48.005 mm (1.88878... 1.88996 in)
------------------------------------	---

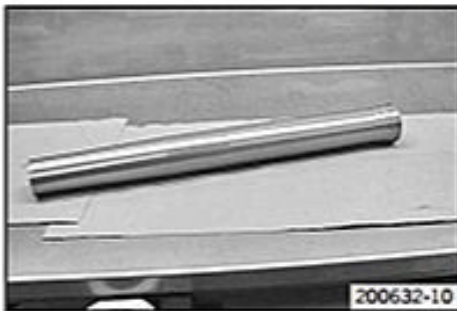
- If the measured value is less than the specified value:
 - Change the inner tube.



- Measure the run-out of the inner tube.

Inner tube run-out	≤ 0.20 mm (≤ 0.0079 in)
--------------------	-------------------------

- If the measured value is greater than the specified value:
 - Change the inner tube.



- Measure the inside diameter of the outer tube at several locations.

Inside diameter of the outer tube	≤ 49.20 mm (≤ 1.937 in)
-----------------------------------	-------------------------

- If the measured value is greater than the specified value:
 - Change the outer tube.

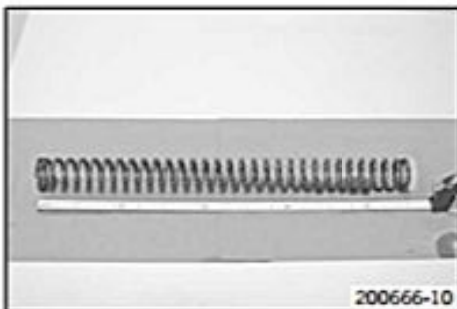
- Check the outer tube for damage.

- If there is damage:
 - Change the outer tube.



- Check the surface of the sliding bushing.

- If the bronze-colored layer **A** under the sliding layer **B** is visible or the surface is rough:
 - Replace the sliding bushing.

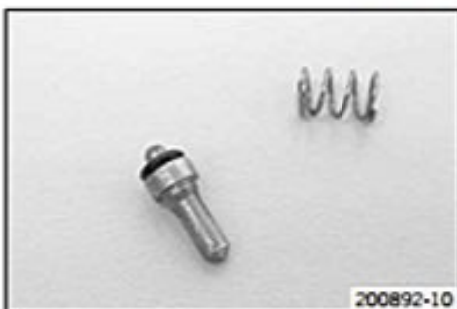


- Check the spring length.

Guideline

Spring length with preload spacer(s)	494 mm (19.45 in)
--------------------------------------	-------------------

- If the measured value is greater than the specified value:
 - Reduce the thickness of the preload spacers.
- If the measured value is less than the specified value:
 - Increase the thickness of the preload spacers.



- Check the check valve spring length.

Guideline

Spring length of the check valve	≥ 5.8 mm (≥ 0.228 in)
----------------------------------	-----------------------

- If the measured value is less than the specified value:
 - Change the spring.



- Check the piston rod for damage.
 - If there is damage:
 - Replace the piston rod.
- Measure the outside diameter of the piston rod at several locations.

Outside diameter of the piston rod	$\geq 11.965 \text{ mm}$ ($\geq 0.47106 \text{ in}$)
------------------------------------	--

- If the measured value is less than the specified value:
 - Replace the piston rod.
- Measure the run-out of the piston rod.

Run-out of the piston rod	$\leq 0.40 \text{ mm}$ ($\leq 0.0157 \text{ in}$)
---------------------------	---

- If the measured value is greater than the specified value:
 - Replace the piston rod.

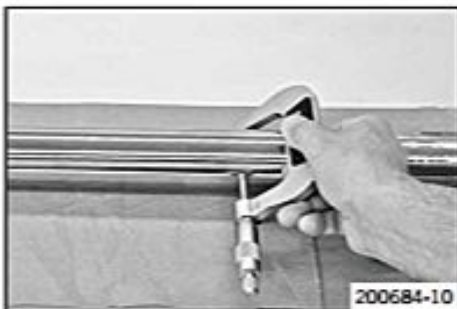
6.20 Checking the fork legs (XC-F)

Condition

The fork legs have been disassembled.



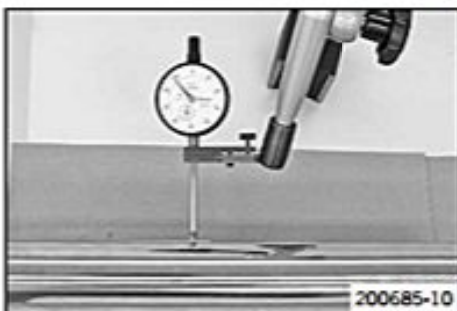
- Check the inner tube and axle clamp for damage.
 - If there is damage:
 - Change the inner tube.



- Measure the outside diameter of the inner tube at several locations.

Outside diameter of the inner tube	47.975... 48.005 mm (1.88878... 1.88996 in)
------------------------------------	---

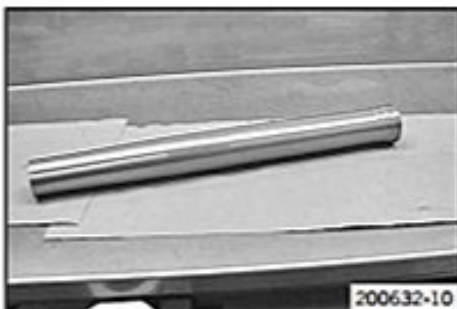
- If the measured value is less than the specified value:
 - Change the inner tube.



- Measure the run-out of the inner tube.

Inner tube run-out	$\leq 0.20 \text{ mm}$ ($\leq 0.0079 \text{ in}$)
--------------------	---

- If the measured value is greater than the specified value:
 - Change the inner tube.



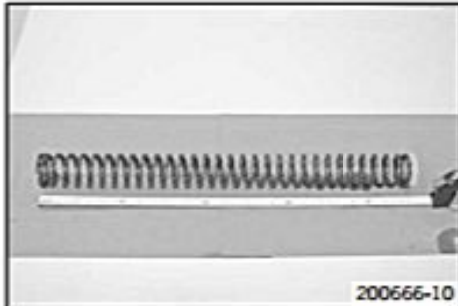
- Measure the inside diameter of the outer tube at several locations.

Inside diameter of the outer tube	$\leq 49.20 \text{ mm}$ ($\leq 1.937 \text{ in}$)
-----------------------------------	---

- If the measured value is greater than the specified value:
 - Change the outer tube.
- Check the outer tube for damage.
 - If there is damage:
 - Change the outer tube.



- Check the surface of the sliding bushing.
 - If the bronze-colored layer **A** under the sliding layer **B** is visible or the surface is rough:
 - Replace the sliding bushing.



- Check the spring length.

Guideline

Spring length with preload spacer(s)	492 mm (19.37 in)
--------------------------------------	-------------------

- If the measured value is greater than the specified value:
 - Reduce the thickness of the preload spacers.
- If the measured value is less than the specified value:
 - Increase the thickness of the preload spacers.



- Check the check valve spring length.

Guideline

Spring length of the check valve	≥ 5.8 mm (≥ 0.228 in)
----------------------------------	-----------------------

- If the measured value is less than the specified value:
 - Change the spring.



- Check the piston rod for damage.

- If there is damage:
 - Replace the piston rod.

- Measure the outside diameter of the piston rod at several locations.

Outside diameter of the piston rod	≥ 11.965 mm (≥ 0.47106 in)
------------------------------------	----------------------------

- If the measured value is less than the specified value:
 - Replace the piston rod.

- Measure the run-out of the piston rod.

Run-out of the piston rod	≤ 0.40 mm (≤ 0.0157 in)
---------------------------	-------------------------

- If the measured value is greater than the specified value:
 - Replace the piston rod.

6.21 Checking the fork legs - during a minor fork service (All SX-F EU models)

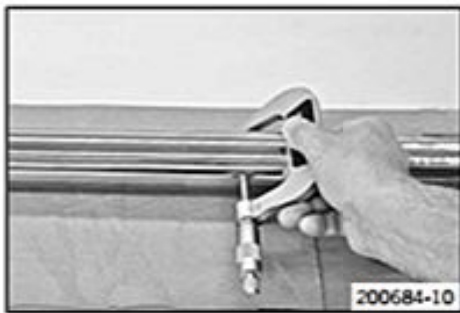
Condition

The fork legs have been disassembled.



- Check the inner tube and axle clamp for damage.

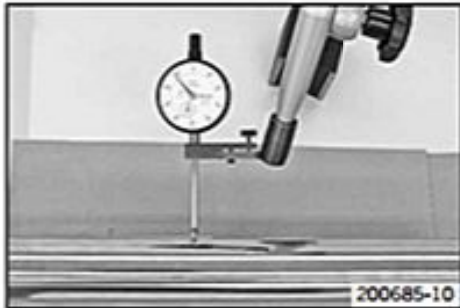
- If there is damage:
 - Change the inner tube.



- Measure the outside diameter of the inner tube at several locations.

Outside diameter of the inner tube	47.975... 48.005 mm (1.88878... 1.88996 in)
------------------------------------	---

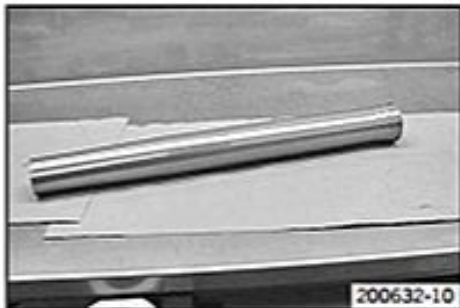
- If the measured value is less than the specified value:
 - Change the inner tube.



- Measure the run-out of the inner tube.

Inner tube run-out	≤ 0.20 mm (≤ 0.0079 in)
--------------------	-------------------------

- If the measured value is greater than the specified value:
 - Change the inner tube.



- Measure the inside diameter of the outer tube at several locations.

Inside diameter of the outer tube	≤ 49.20 mm (≤ 1.937 in)
-----------------------------------	-------------------------

- If the measured value is greater than the specified value:
 - Change the outer tube.

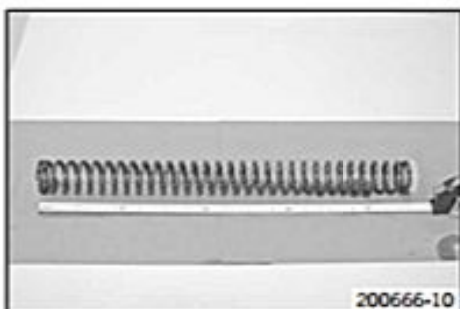
- Check the outer tube for damage.

- If there is damage:
 - Change the outer tube.



- Check the surface of the sliding bushing.

- If the bronze-colored layer **A** under the sliding layer **B** is visible or the surface is rough:
 - Replace the sliding bushing.



- Check the spring length.

Guideline

Spring length with preload spacer(s)	497 mm (19.57 in)
--------------------------------------	-------------------

- If the measured value is greater than the specified value:
 - Reduce the thickness of the preload spacers.
- If the measured value is less than the specified value:
 - Increase the thickness of the preload spacers.

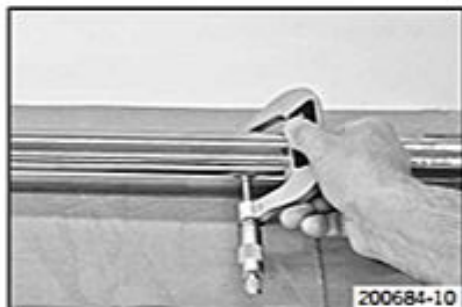
6.22 Checking the fork legs - during a minor fork service (All SX-F USA models)

Condition

The fork legs have been disassembled.



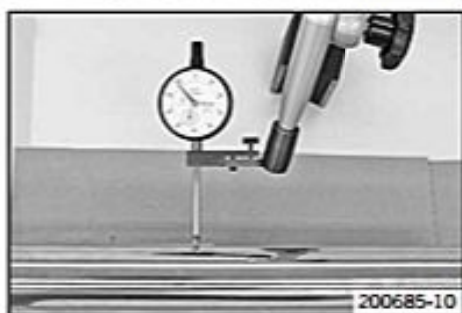
- Check the inner tube and axle clamp for damage.
 - If there is damage:
 - Change the inner tube.



- Measure the outside diameter of the inner tube at several locations.

Outside diameter of the inner tube	47.975... 48.005 mm (1.88878... 1.88996 in)
------------------------------------	---

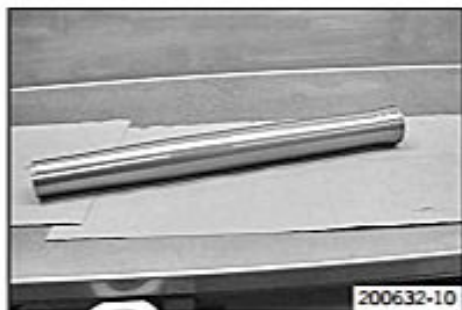
- If the measured value is less than the specified value:
 - Change the inner tube.



- Measure the run-out of the inner tube.

Inner tube run-out	≤ 0.20 mm (≤ 0.0079 in)
--------------------	-------------------------

- If the measured value is greater than the specified value:
 - Change the inner tube.



- Measure the inside diameter of the outer tube at several locations.

Inside diameter of the outer tube	≤ 49.20 mm (≤ 1.937 in)
-----------------------------------	-------------------------

- If the measured value is greater than the specified value:
 - Change the outer tube.

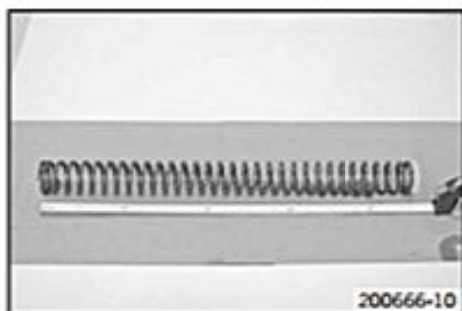
- Check the outer tube for damage.

- If there is damage:
 - Change the outer tube.



- Check the surface of the sliding bushing.

- If the bronze-colored layer **A** under the sliding layer **B** is visible or the surface is rough:
 - Replace the sliding bushing.



- Check the spring length.

Guideline

Spring length with preload spacer(s)	494 mm (19.45 in)
--------------------------------------	-------------------

- If the measured value is greater than the specified value:
 - Reduce the thickness of the preload spacers.
- If the measured value is less than the specified value:
 - Increase the thickness of the preload spacers.

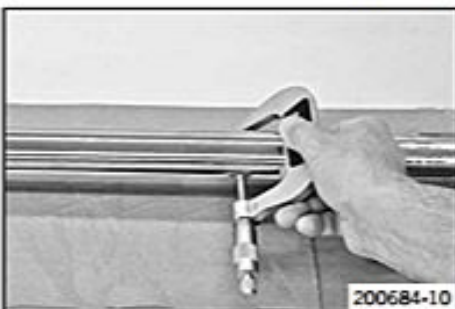
6.23 Checking the fork legs - during a minor fork service (XC-F)

Condition

The fork legs have been disassembled.



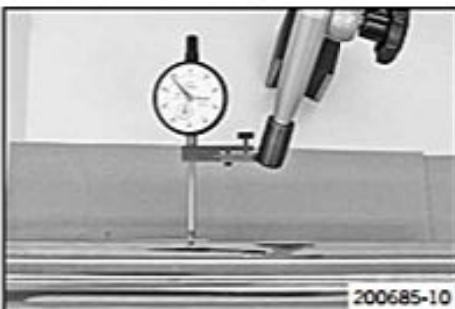
- Check the inner tube and axle clamp for damage.
 - If there is damage:
 - Change the inner tube.



- Measure the outside diameter of the inner tube at several locations.

Outside diameter of the inner tube	47.975... 48.005 mm (1.88878... 1.88996 in)
------------------------------------	---

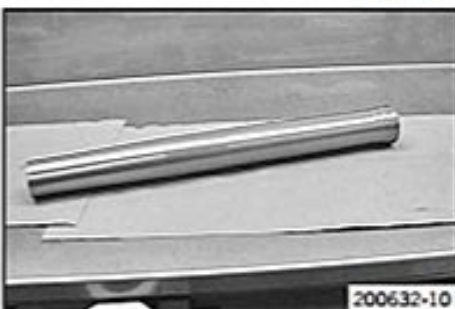
- If the measured value is less than the specified value:
 - Change the inner tube.



- Measure the run-out of the inner tube.

Inner tube run-out	≤ 0.20 mm (≤ 0.0079 in)
--------------------	-------------------------

- If the measured value is greater than the specified value:
 - Change the inner tube.



- Measure the inside diameter of the outer tube at several locations.

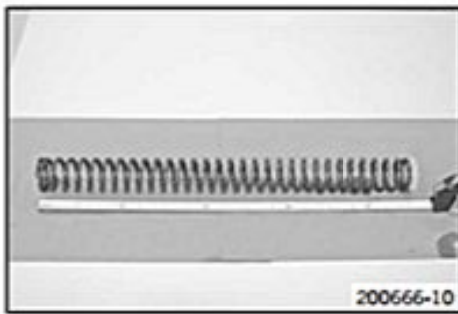
Inside diameter of the outer tube	≤ 49.20 mm (≤ 1.937 in)
-----------------------------------	-------------------------

- If the measured value is greater than the specified value:
 - Change the outer tube.
- Check the outer tube for damage.
 - If there is damage:
 - Change the outer tube.



- Check the surface of the sliding bushing.

- If the bronze-colored layer **A** under the sliding layer **B** is visible or the surface is rough:
 - Replace the sliding bushing.



- Check the spring length.

Guideline

Spring length with preload spacer(s)	492 mm (19.37 in)
--------------------------------------	-------------------

- If the measured value is greater than the specified value:
 - Reduce the thickness of the preload spacers.
- If the measured value is less than the specified value:
 - Increase the thickness of the preload spacers.

6.24 Changing the pilot bushing

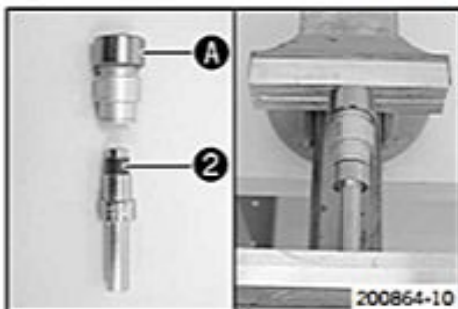
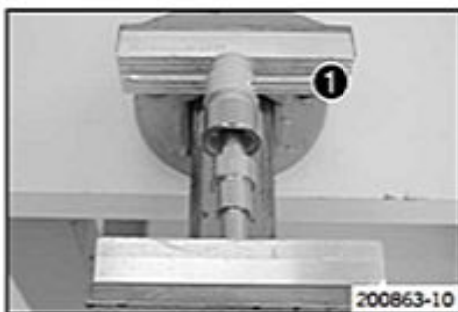
Preparatory work

- Disassemble the fork legs. (☞ p. 16)
- Disassemble the cartridge. (☞ p. 19)
- Disassemble the piston rod. (☞ p. 21)
- Disassemble the screw sleeve. (☞ p. 23)

Main work

- Press the pilot bushing out of screw sleeve ❶ using the special tool.

Mounting tool (T14022) (☞ p. 253)



- Slide the new pilot bushing ❷ onto the special tool.

Mounting tool (T14022) (☞ p. 253)

- Ensure that special tool ❸ is mounted and that there is an overhang to protect the thread.

Guideline

Overhang	1 mm (0.04 in)
----------	----------------

Threaded bushing (T14023) (☞ p. 253)

- Position the pilot bushing in the screw sleeve with the special tool and press it in all the way.

Mounting tool (T14022) (☞ p. 253)

- Lubricate the special tool.

Fork oil (SAE 4) (48601166S1) (☞ p. 238)
--

Calibrating unit (T14021) (☞ p. 253)

- Press the special tool through the new pilot bushing a number of times.

Calibrating unit (T14021) (☞ p. 253)

✓ The pilot bushing is calibrated.

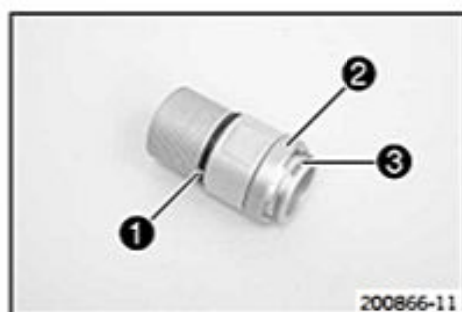


Finishing work

- Assemble the screw sleeve. (☞ p. 33)

6.25 Assembling the screw sleeve

i Info
The steps are identical for both fork legs.



- Mount and lubricate O-ring ❶.

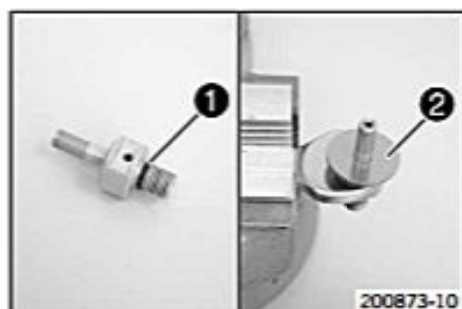
Lubricant (T158) (☛ p. 240)

- Mount ring ❷.
- Mount lock ring ❸.

i Info
The seal ring is mounted when the piston rod is assembled.

6.26 Assembling the screw cap with the membrane holder

i Info
The steps are identical for both fork legs.



Preparatory work

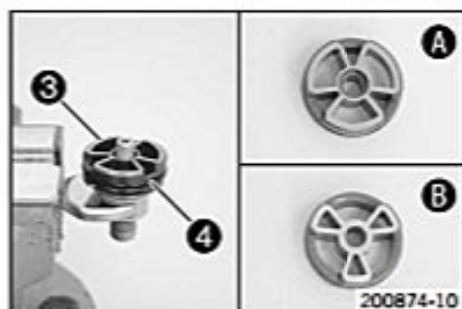
- Check the fork legs. (☛ p. 24)

Main work

- Lubricate and mount O-ring ❶.

Lubricant (T158) (☛ p. 240)

- Clamp the open end wrench in a vise. Position compression holder.
- Mount the compression shim stack ❷ with the smaller shims facing downward.



- Grind compression piston ❸ on both sides on a surfacing plate using 1200 grit sandpaper.

- Clean the compression piston.

- Mount and grease O-ring ❹.

Lubricant (T158) (☛ p. 240)

- Mount the compression piston.

Guideline

View ❸	Compression piston from above
View ❹	Compression piston from below

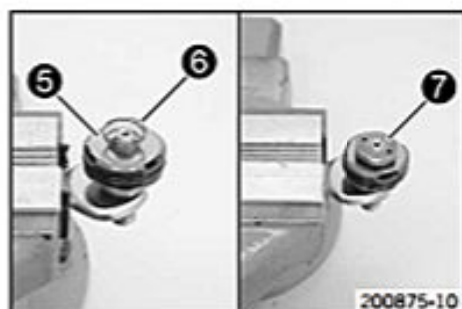
- Mount rebound damping washer ❺.
- Mount spring ❻ with the tighter coil at the bottom.
- Mount and tighten new nut ❼ with the collar facing downward.

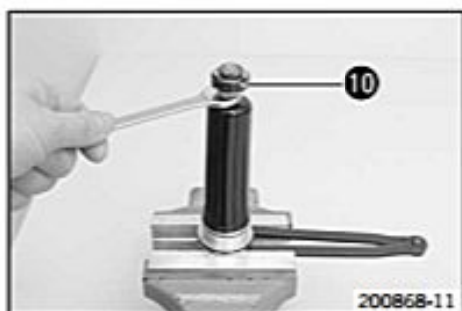
Guideline

Nut, compression piston	M6x0.5	3 Nm (2.2 lbf ft)
-------------------------	--------	-------------------

✓ The collar centers the rebound washer and the spring.

- Check the freedom of movement of the rebound washer against the spring.
- Secure the nut by locking.





- Mount and grease O-ring ⑧.

Lubricant (T158) (☛ p. 240)

- Clamp the screw cap with the membrane holder and the special tool into a vise.

Pin wrench (T103) (☛ p. 250)


Info

Only tighten the vise lightly.

- Mount membrane ⑨.
- Mount and tighten compression holder ⑩.

Guideline

Compression holder	M9x1	8 Nm (5.9 lbf ft)	Loctite® 241
--------------------	------	----------------------	--------------

- Unclamp the special tool.

6.27 Assembling the piston rod


Info

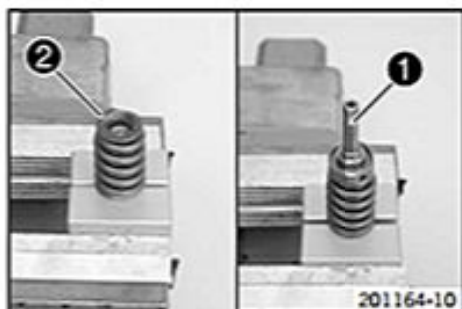
The steps are identical for both fork legs.



- Mount and grease the O-rings of tap rebound ① and the valve.

Lubricant (T158) (☛ p. 240)

- Position the valve with the spring in the tap rebound.



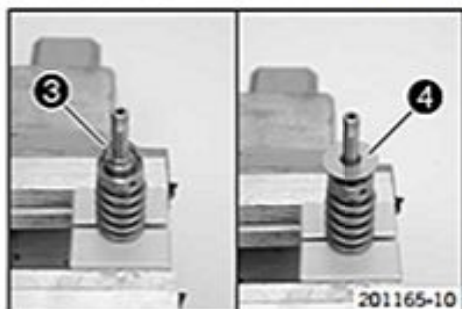
- Degrease the piston rod.
- Clamp the piston rod with the special tool.

Clamping stand (T14016S) (☛ p. 252)

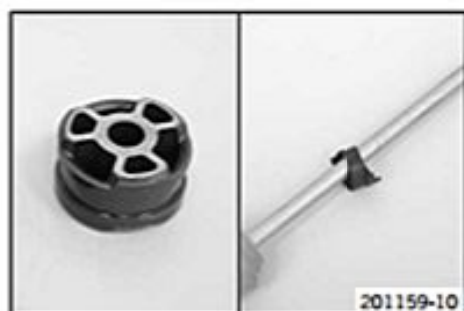
- Mount spring ② with the sleeve.
- Mount and tighten tap rebound ①.

Guideline

Tap rebound	M9x1	18 Nm (13.3 lbf ft)	Loctite® 2701™
-------------	------	------------------------	----------------

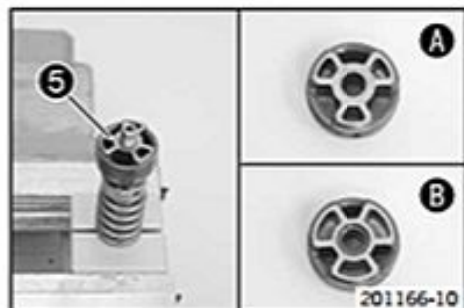


- Mount spring ③.
- Mount compression shim stack ④ with the smaller washer facing downward.



- Grind the rebound piston on both sides on a surface plate with 1200 grit sandpaper.
- Clean the rebound piston.
- Wrap the piston ring around the shaft of a screwdriver before mounting.
- Mount the piston ring.
- Lubricate the piston ring.

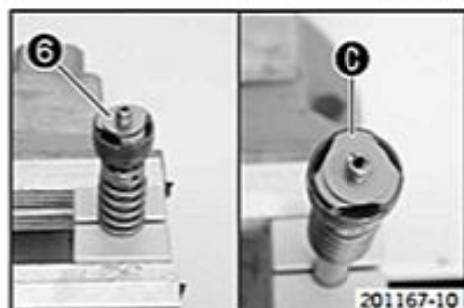
Fork oil (SAE 4) (48601166S1) (☞ p. 238)



- Mount rebound piston ⑤.

Guideline

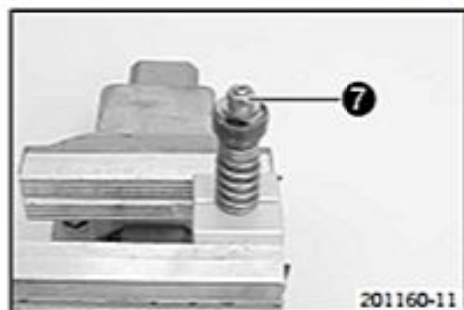
View ⑤	Rebound piston from above
View ⑥	Rebound piston from below



- Mount rebound shim stack ⑥.

i Info

Align triangular plates ⑦ exactly with the openings of the rebound piston.



- Mount and tighten new nut ⑦ with the collar facing downward.

Guideline

Rebound nut	M6x0.5	5 Nm (3.7 lbf ft)
-------------	--------	-------------------

i Info

Do not twist the triangular plates!

- Secure the nut by locking.
- Take out the piston rod.

6.28 Assembling the cartridge

i Info

The steps are identical for both fork legs.

Preparatory work

- Check the fork legs. (☞ p. 24)
- Assemble the screw cap with the membrane holder. (☞ p. 33)
- Assemble the piston rod. (☞ p. 34)

Main work

- Lubricate and mount O-ring ①.

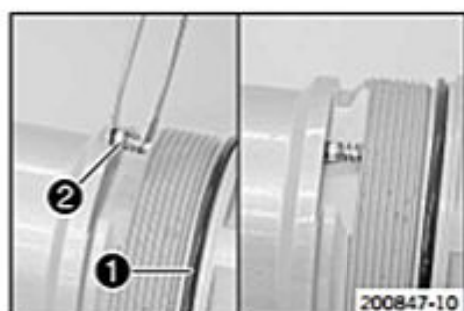
Lubricant (T158) (☞ p. 240)

- Mount the spring and O-ring on check valve ②.

Lubricant (T158) (☞ p. 240)

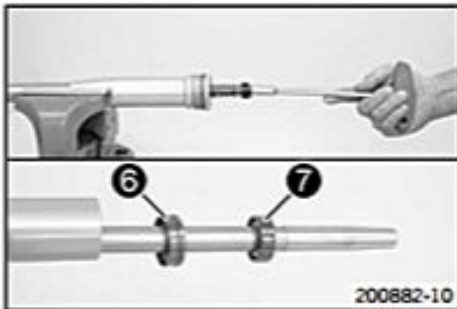
- Mount the check valve with the special tool.

Tweezers (T14033) (☞ p. 254)





- Mount guide ring ⑤.
- Mount spring guide ④ and ring ③.



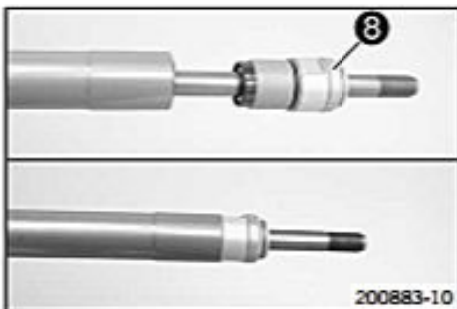
- Clamp the cartridge in a bench vise.
- Guideline
- Use soft jaws.
- Push the piston rod into the cartridge.



Info
Check that the piston ring is correctly seated.

- Slide washer ⑥ onto the piston rod with the open side forward.
 - Place the special tool onto the piston rod.
- Mounting sleeve (T14029) (☞ p. 254)
- Grease seal ring ⑦ and slide onto the piston rod with the open side forward. Remove the special tool.

Lubricant (T511) (☞ p. 240)



- Slide screw sleeve ⑧ onto the piston rod.
- Press the seal ring flush into the screw sleeve.
- Grease the O-ring of the screw sleeve.

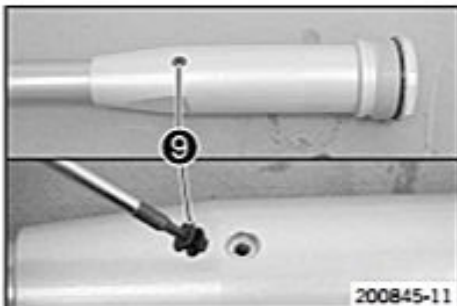
Lubricant (T158) (☞ p. 240)

- Tighten the screw sleeve.

Guideline

Screw sleeve on the cartridge	M24x1	40 Nm (29.5 lbf ft)	Loctite® 241
-------------------------------	-------	------------------------	--------------

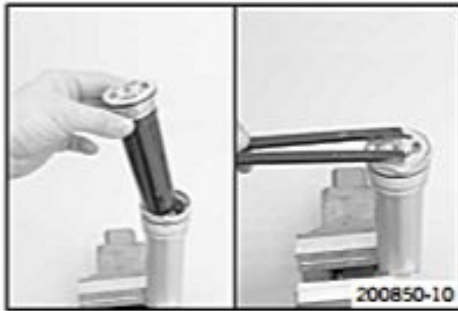
- Mount filling screw ⑨ with the O-ring.



- Clamp the cartridge vertically and fill with fork oil to the lower edge ⑩ of the upper part of the cartridge.

Fork oil (SAE 4) (48601166S1) (☞ p. 238)

✓ The piston rod is fully extended.



- Mount the screw cap with the membrane holder and tighten with the special tool.

Guideline

Screw cap on the cartridge	M41x1	30 Nm (22.1 lbf ft)
----------------------------	-------	------------------------

Pin wrench (T103) (☛ p. 250)

- Bleed and fill the cartridge. (☛ p. 47)
- Fill the cartridge with nitrogen. (☛ p. 48)



- Mount adjusting tube ⑩.
- Screw nut ⑪ all the way on with the collar facing forward.

i Info
The nut must be screwed tightly against the stop. Do not use a tool.

6.29 Assembling the fork legs (All SX-F EU models)

i Info
The steps are identical for both fork legs.

Preparatory work

- Check the fork legs. (☛ p. 24)
- Assemble the screw cap with the membrane holder. (☛ p. 33)
- Assemble the piston rod. (☛ p. 34)
- Assemble the cartridge. (☛ p. 35)

Main work

- Clamp in the inner tube with the axle clamp.

Guideline

Use soft jaws.

- Mount the special tool.

Protecting sleeve (T1401) (☛ p. 252)

- Lubricate and slide on dust boot ①.

Lubricant (T511) (☛ p. 240)

i Info
Always change the dust boot, seal ring, lock ring and support ring. Mount the sealing lip with the spring expander facing downward.

- Slide on lock ring ②.
- Lubricate and slide on seal ring ③.

Lubricant (T511) (☛ p. 240)

✓ Mount with the sealing lip facing downward the open side facing upward.

- Slide on support ring ④.
- Remove the special tool.





- Roughen, clean and lubricate the edges of the sliding bushings using 600 grit sandpaper.

Fork oil (SAE 4) (48601166S1) (☛ p. 238)



- Slide on lower sliding bushing ⑤.
- Mount upper sliding bushing ⑥.

i Info

Gently pull them apart without using a tool.



- Slide on the outer tube.
- Warm up the outer tube in area ① of the lower sliding bushing.

Guideline

50 °C (122 °F)

- Hold the lower sliding bushing with the longer shoulder of the special tool.

Assembly tool (T1402S) (☛ p. 254)

- Press the outer tube all the way in.



- Position the support ring.
- Hold the seal ring with the shorter shoulder of the special tool.

Assembly tool (T1402S) (☛ p. 254)

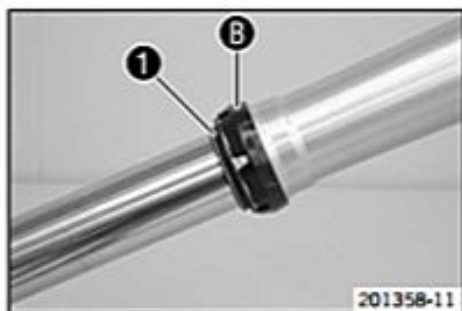
- Press the outer tube all the way in.



- Mount lock ring ②.

i Info

The lock ring must audibly lock into place.



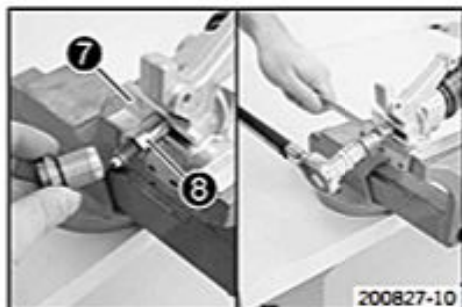
- Install dust boot ①.
- Mount fork protector ring ③.



- Mount the preload spacers and spring.

Guideline

Spring rate	
Weight of rider: 65... 75 kg (143... 165 lb.)	4.8 N/mm (27.4 lb/in)
Weight of rider: 75... 85 kg (165... 187 lb.)	5.0 N/mm (28.6 lb/in)
Weight of rider: 85... 95 kg (187... 209 lb.)	5.2 N/mm (29.7 lb/in)



- Push the cartridge into the fork leg.
- Press the cartridge against the spring and mount special tool ⑦.

Support tool (T14020) (☛ p. 253)

- Grease the O-ring of the rebound adjuster.

Lubricant (T158) (☛ p. 240)

- Mount the rebound adjuster.
 - ✓ The rebound adjuster must reach the stop before the piston rod turns with it. In case of tight piston rod threads, it must be held to keep it from turning.
 - ✗ If the rebound adjuster is not turned all the way to the stop, the rebound damping cannot be correctly adjusted.
- Hold onto nut ⑥ and tighten the rebound adjuster.

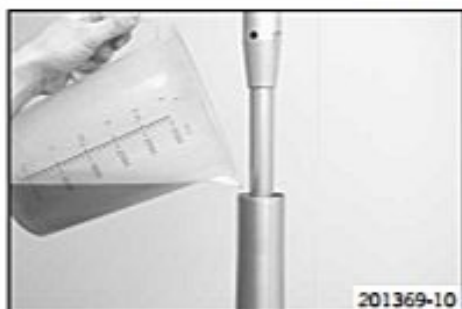
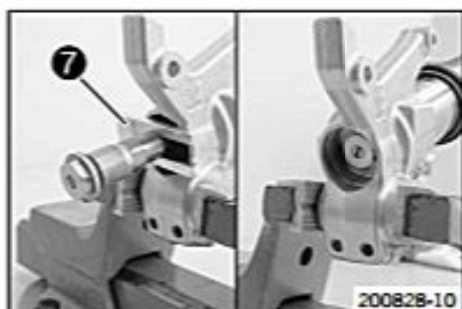
Guideline

Rebound adjuster on the piston rod	M12x1	30 Nm (22.1 lbf ft)
------------------------------------	-------	---------------------

- Press the cartridge against the spring and remove special tool ⑦.
- Tighten the rebound adjuster.

Guideline

Rebound adjuster on the axle clamp	M20x1	30 Nm (22.1 lbf ft)
------------------------------------	-------	---------------------



- Clamp in the fork vertically.

Guideline

Use soft jaws.

- Fill with fork oil.

Oil capacity fork leg without cartridge	390 ml (13.19 fl. oz.)	Fork oil (SAE 4) (48601166S1) (☛ p. 238)
---	------------------------	--

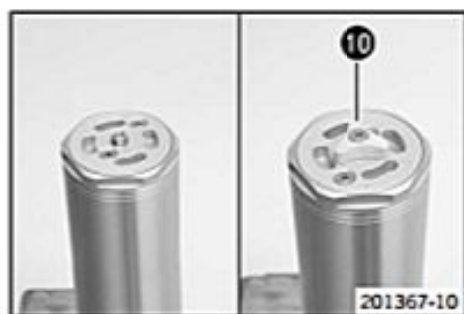


- Lubricate O-ring ⑨ of the cartridge.

Lubricant (T158) (☛ p. 240)

- Push the outer tube upward.
- Clamp the outer tube in the area of the lower triple clamp.

Clamping stand (T1403S) (☛ p. 254)



- Tighten the cartridge.

Guideline

Cartridge on the outer tube	M51x1.5	50 Nm (36.9 lbf ft)
-----------------------------	---------	------------------------

Ring wrench (T14017) (☞ p. 252)

- Mount adjuster ⑩ of the compression damping. Mount and tighten the screw.

Guideline

Screw, compression adjuster	M4x0.5	1.5 Nm (1.11 lbf ft)
-----------------------------	--------	-------------------------



Alternative 1

- Turn adjusting screw of compression damping ⑪ and adjusting screw of rebound damping ⑫ clockwise all the way.
- Turn back counterclockwise by the number of clicks corresponding to the fork type.

Guideline

Rebound damping	
Comfort	14 clicks
Standard	12 clicks
Sport	10 clicks
Compression damping	
Comfort	14 clicks
Standard	12 clicks
Sport	10 clicks

Alternative 2

Warning

Danger of accidents Modifications to the suspension settings can seriously alter the vehicle's ride behavior.

- Extreme modifications to the adjustment of the suspension components can cause a serious deterioration in the handling characteristics and overload some components.
- Only make adjustments within the recommended range.
- After making adjustments, ride slowly at first to get the feel of the new ride behavior.

- Set the adjusting screws to the position determined before removal.
- Mount protection cap ⑬.

6.30 Assembling the fork legs (All SX-F USA models)



Info

The steps are identical for both fork legs.

Preparatory work

- Check the fork legs. (☞ p. 25)
- Assemble the screw cap with the membrane holder. (☞ p. 33)
- Assemble the piston rod. (☞ p. 34)
- Assemble the cartridge. (☞ p. 35)

Main work

- Clamp in the inner tube with the axle clamp.

Guideline

Use soft jaws.

- Mount the special tool.

Protecting sleeve (T1401) (☞ p. 252)



- Lubricate and slide on dust boot ❶.

Lubricant (T511) (☛ p. 240)



Info

Always change the dust boot, seal ring, lock ring and support ring. Mount the sealing lip with the spring expander facing downward.

- Slide on lock ring ❷.
- Lubricate and slide on seal ring ❸.

Lubricant (T511) (☛ p. 240)

✓ Mount with the sealing lip facing downward the open side facing upward.

- Slide on support ring ❹.
- Remove the special tool.
- Roughen, clean and lubricate the edges of the sliding bushings using 600 grit sandpaper.

Fork oil (SAE 4) (48601166S1) (☛ p. 238)



- Slide on lower sliding bushing ❺.
- Mount upper sliding bushing ❻.



Info

Gently pull them apart without using a tool.



- Slide on the outer tube.
- Warm up the outer tube in area ❶ of the lower sliding bushing.

Guideline

50 °C (122 °F)

- Hold the lower sliding bushing with the longer shoulder of the special tool.

Assembly tool (T1402S) (☛ p. 254)

- Press the outer tube all the way in.



- Position the support ring.
- Hold the seal ring with the shorter shoulder of the special tool.

Assembly tool (T1402S) (☛ p. 254)

- Press the outer tube all the way in.

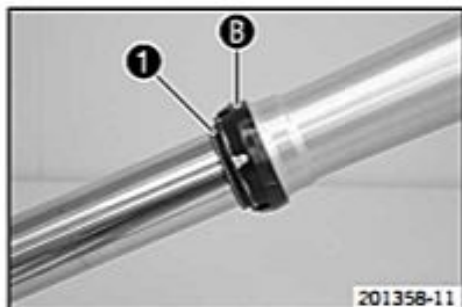


- Mount lock ring ②.



Info

The lock ring must audibly lock into place.



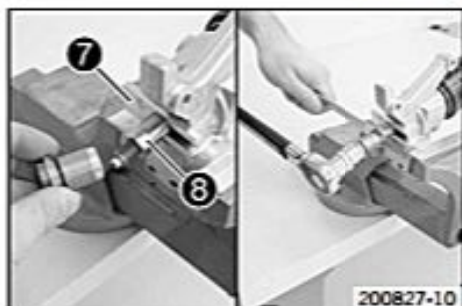
- Install dust boot ①.
- Mount fork protector ring ⑥.



- Mount the preload spacers and spring.

Guideline

Spring rate	
Weight of rider: 65... 75 kg (143... 165 lb.)	4.8 N/mm (27.4 lbf/in)
Weight of rider: 75... 85 kg (165... 187 lb.)	5.0 N/mm (28.6 lbf/in)
Weight of rider: 85... 95 kg (187... 209 lb.)	5.2 N/mm (29.7 lbf/in)



- Push the cartridge into the fork leg.
- Press the cartridge against the spring and mount special tool ⑦.

Support tool (T14020) (☛ p. 253)

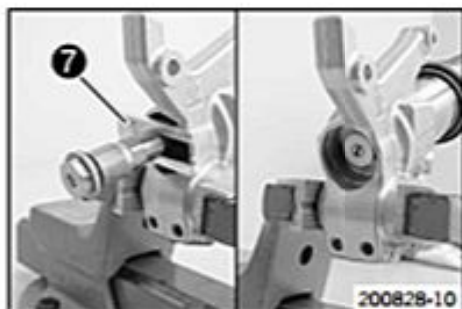
- Grease the O-ring of the rebound adjuster.

Lubricant (T158) (☛ p. 240)

- Mount the rebound adjuster.
 - ✓ The rebound adjuster must reach the stop before the piston rod turns with it. In case of tight piston rod threads, it must be held to keep it from turning.
 - ✗ If the rebound adjuster is not turned all the way to the stop, the rebound damping cannot be correctly adjusted.
- Hold onto nut ③ and tighten the rebound adjuster.

Guideline

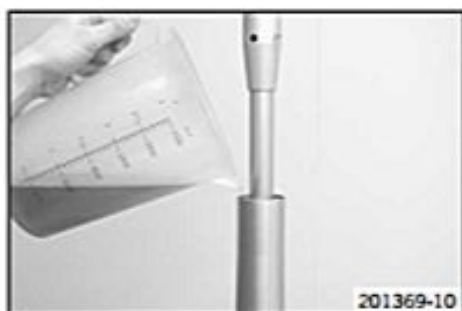
Rebound adjuster on the piston rod	M12x1	30 Nm (22.1 lbf ft)
------------------------------------	-------	------------------------



- Press the cartridge against the spring and remove special tool ⑦.
- Tighten the rebound adjuster.

Guideline

Rebound adjuster on the axle clamp	M20x1	30 Nm (22.1 lbf ft)
------------------------------------	-------	------------------------



- Clamp in the fork vertically.

Guideline

Use soft jaws.

- Fill with fork oil.

Oil capacity fork leg without cartridge	390 ml (13.19 fl. oz.)	Fork oil (SAE 4) (48601166S1) (☛ p. 238)
---	------------------------	--

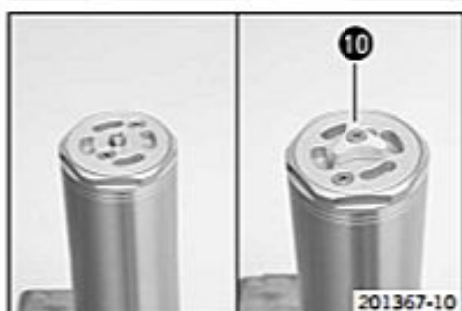


- Lubricate O-ring 9 of the cartridge.

Lubricant (T158) (☛ p. 240)

- Push the outer tube upward.
- Clamp the outer tube in the area of the lower triple clamp.

Clamping stand (T1403S) (☛ p. 254)



- Tighten the cartridge.

Guideline

Cartridge on the outer tube	M51x1.5	50 Nm (36.9 lbf ft)
-----------------------------	---------	---------------------

Ring wrench (T14017) (☛ p. 252)

- Mount adjuster 11 of the compression damping. Mount and tighten the screw.

Guideline

Screw, compression adjuster	M4x0.5	1.5 Nm (1.11 lbf ft)
-----------------------------	--------	----------------------



Alternative 1

- Turn adjusting screw of compression damping 11 and adjusting screw of rebound damping 12 clockwise all the way.
- Turn back counterclockwise by the number of clicks corresponding to the fork type.

Guideline

Rebound damping	
Comfort	14 clicks
Standard	12 clicks
Sport	10 clicks
Compression damping	
Comfort	14 clicks
Standard	12 clicks
Sport	10 clicks

Alternative 2

Warning

Danger of accidents Modifications to the suspension settings can seriously alter the vehicle's ride behavior.

- Extreme modifications to the adjustment of the suspension components can cause a serious deterioration in the handling characteristics and overload some components.
- Only make adjustments within the recommended range.
- After making adjustments, ride slowly at first to get the feel of the new ride behavior.

- Set the adjusting screws to the position determined before removal.
- Mount protection cap 13.

6.31 Assembling the fork legs (XC-F)

i Info
The steps are identical for both fork legs.



Preparatory work

- Check the fork legs. (☞ p. 27)
- Assemble the screw cap with the membrane holder. (☞ p. 33)
- Assemble the piston rod. (☞ p. 34)
- Assemble the cartridge. (☞ p. 35)

Main work

- Clamp in the inner tube with the axle clamp.

Guideline

Use soft jaws.

- Mount the special tool.

Protecting sleeve (T1401) (☞ p. 252)

- Lubricate and slide on dust boot ①.

Lubricant (T511) (☞ p. 240)

i Info

Always change the dust boot, seal ring, lock ring and support ring. Mount the sealing lip with the spring expander facing downward.

- Slide on lock ring ②.
- Lubricate and slide on seal ring ③.

Lubricant (T511) (☞ p. 240)

✓ Mount with the sealing lip facing downward the open side facing upward.

- Slide on support ring ④.
- Remove the special tool.
- Roughen, clean and lubricate the edges of the sliding bushings using 600 grit sandpaper.

Fork oil (SAE 4) (48601166S1) (☞ p. 238)



- Slide on lower sliding bushing ⑤.
- Mount upper sliding bushing ⑥.

i Info

Gently pull them apart without using a tool.



- Slide on the outer tube.
- Warm up the outer tube in area A of the lower sliding bushing.

Guideline

50 °C (122 °F)

- Hold the lower sliding bushing with the longer shoulder of the special tool.

Assembly tool (T1402S) (☞ p. 254)



- Press the outer tube all the way in.
- Position the support ring.
- Hold the seal ring with the shorter shoulder of the special tool.

Assembly tool (T1402S) (☞ p. 254)

- Press the outer tube all the way in.



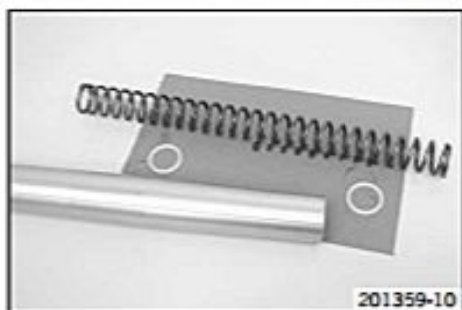
- Mount lock ring ②.

i Info

The lock ring must audibly lock into place.



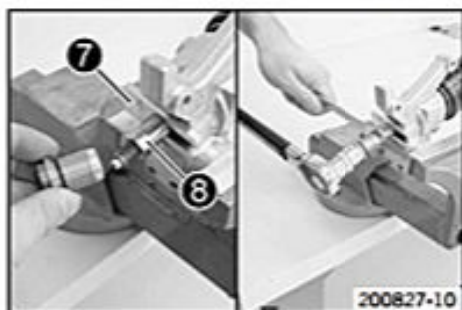
- Install dust boot ①.
- Mount fork protector ring ②.



- Mount the preload spacers and spring.

Guideline

Spring rate	
Weight of rider: 65... 75 kg (143... 165 lb.)	4.4 N/mm (25.1 lb/in)
Weight of rider: 75... 85 kg (165... 187 lb.)	4.6 N/mm (26.3 lb/in)
Weight of rider: 85... 95 kg (187... 209 lb.)	4.8 N/mm (27.4 lb/in)



- Push the cartridge into the fork leg.
- Press the cartridge against the spring and mount special tool ⑦.

Support tool (T14020) (☞ p. 253)

- Grease the O-ring of the rebound adjuster.

Lubricant (T158) (☞ p. 240)

- Mount the rebound adjuster.

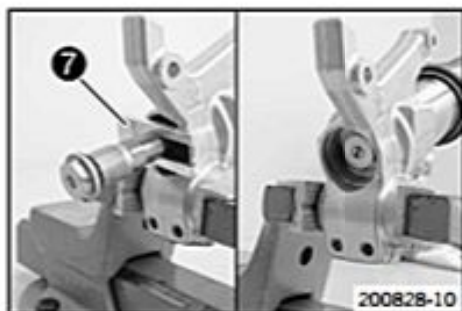
✓ The rebound adjuster must reach the stop before the piston rod turns with it. In case of tight piston rod threads, it must be held to keep it from turning.

✗ If the rebound adjuster is not turned all the way to the stop, the rebound damping cannot be correctly adjusted.

- Hold onto nut ⑧ and tighten the rebound adjuster.

Guideline

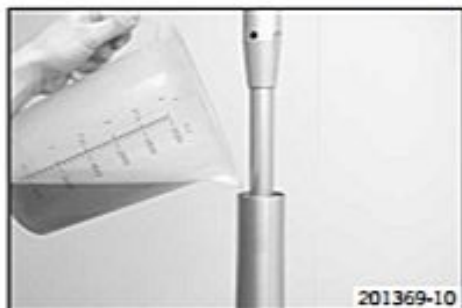
Rebound adjuster on the piston rod	M12x1	30 Nm (22.1 lbf ft)
------------------------------------	-------	------------------------



- Press the cartridge against the spring and remove special tool ⑦.
- Tighten the rebound adjuster.

Guideline

Rebound adjuster on the axle clamp	M20x1	30 Nm (22.1 lbf ft)
------------------------------------	-------	------------------------



- Clamp in the fork vertically.

Guideline

Use soft jaws.

- Fill with fork oil.

Oil capacity fork leg without cartridge	380 ml (12.85 fl. oz.)	Fork oil (SAE 4) (48601166S1) (☛ p. 238)
---	---------------------------	---

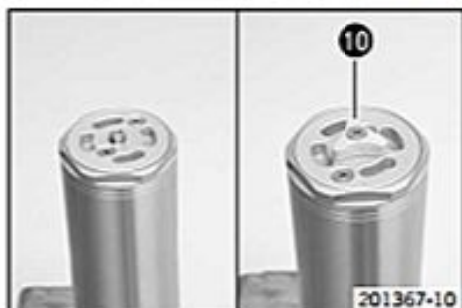


- Lubricate O-ring ⑨ of the cartridge.

Lubricant (T158) (☛ p. 240)

- Push the outer tube upward.
- Clamp the outer tube in the area of the lower triple clamp.

Clamping stand (T1403S) (☛ p. 254)



- Tighten the cartridge.

Guideline

Cartridge on the outer tube	M51x1.5	50 Nm (36.9 lbf ft)
-----------------------------	---------	------------------------

Ring wrench (T14017) (☛ p. 252)

- Mount adjuster ⑩ of the compression damping. Mount and tighten the screw.

Guideline

Screw, compression adjuster	M4x0.5	1.5 Nm (1.11 lbf ft)
-----------------------------	--------	-------------------------



Alternative 1

- Turn adjusting screw of compression damping ⑪ and adjusting screw of rebound damping ⑫ clockwise all the way.
- Turn back counterclockwise by the number of clicks corresponding to the fork type.

Guideline


Rebound damping	
Comfort	14 clicks
Standard	12 clicks
Sport	10 clicks
Compression damping	
Comfort	14 clicks
Standard	12 clicks
Sport	10 clicks

Alternative 2

**Warning**

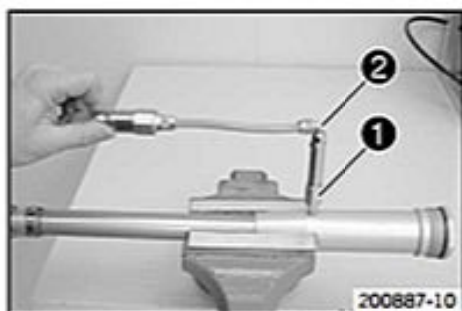
Danger of accidents Modifications to the suspension settings can seriously alter the vehicle's ride behavior.

- Extreme modifications to the adjustment of the suspension components can cause a serious deterioration in the handling characteristics and overload some components.
- Only make adjustments within the recommended range.
- After making adjustments, ride slowly at first to get the feel of the new ride behavior.

- Set the adjusting screws to the position determined before removal.
- Mount protection cap .

6.32 Bleeding and filling the cartridge**Info**

Before working with the vacuum pump, carefully read the vacuum pump operating manual.



- Clamp the cartridge as shown in the figure.

Guideline

Use soft jaws.


**Info**

Clamp the cartridge only lightly.

The filling port must be located at the highest point.

During the filling procedure, the cartridge must be lower than the oil tank of the vacuum pump.





The piston rod moves in and out during filling; do not immobilize it by holding it with your hand.

- Remove the screw of the filling port.
- Mount special tool  on the cartridge.

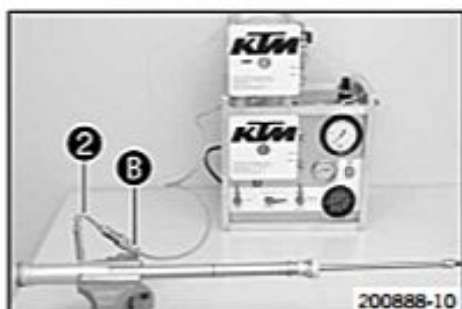
Filling adapter (T14030) ( p. 254)






**Info**

Hand-tighten only without using a tool.


- Connect adapter  to special tool .
- Connect adapter  to the filling port of vacuum pump .

Vacuum pump (T1240S) ( p. 252)



- Clamp the control lever as shown in the figure.
 - ✓ Control lever **External tank**  is set to **Closed**; **Damper**  is set to **Vacuum**; and **Oil reservoir**  is set to **Vacuum**.
- Activate **On/Off** switch .
- ✓ The suction process begins.
- ✓ Pressure gauge  drops to the required value.

< 0 bar

- ✓ Vacuum gauge  drops to the required value.

10 mbar



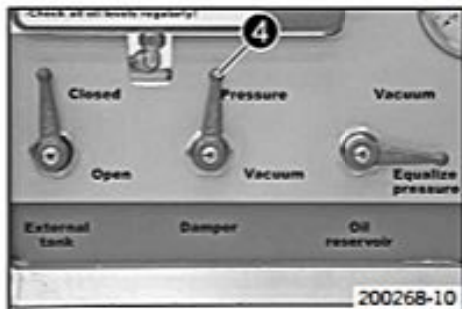
- When the vacuum gauge reaches the required value, turn control lever **Oil reservoir** ⑤ to **Equalize pressure**.

Guideline

10 mbar

- ✓ The pressure gauge increases to the required value.

0 bar



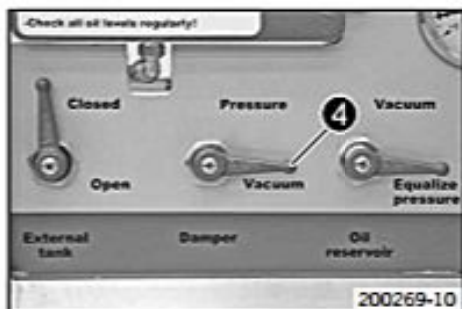
- When the pressure gauge reaches the required value, turn control lever **Damper** ④ to **Pressure**.

Guideline

0 bar

- ✓ Oil is pumped into the cartridge.
- ✓ The pressure gauge increases to the required value.

3 bar



- When the pressure gauge reaches the required value, turn control lever **Damper** ④ to **Vacuum**.

Guideline

3 bar

- ✓ The pressure gauge drops to the required value.

0 bar

- When the pressure gauge reaches the required value, activate the **On/Off** switch.

Guideline

0 bar

- ✓ The vacuum pump is switched off.

- Disconnect the vacuum pump. Remove the special tool.



Info

The filling port must be positioned at the highest point.

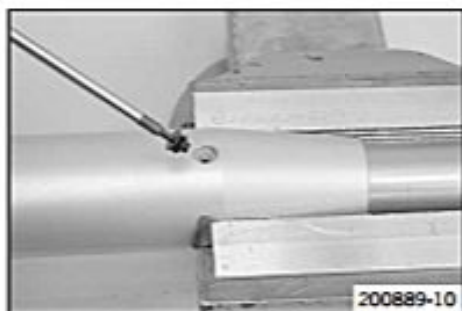
- Mount and tighten the filling screw with the O-ring.

Guideline

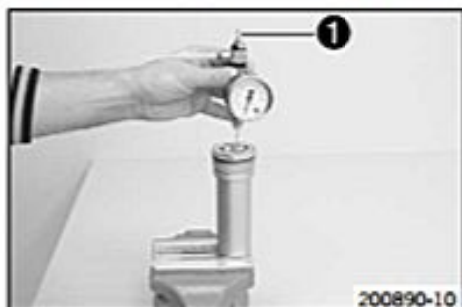
Cartridge filling screw

M4x0.5

2 Nm (1.5 lbf ft)



6.33 Filling the cartridge with nitrogen



- Clamp the cartridge in a vise using soft jaws.



Info

Clamp the cartridge only lightly.

- Connect the connector of the special tool to the pressure regulator of the nitrogen bottle.

Nitrogen charging tool (T14019) (☛ p. 253)

Filling gas - nitrogen

- Adjust the pressure regulator of the nitrogen bottle.

Guideline

Gas pressure

1.2 bar (17 psi)

- Pierce the membrane with the needle of the special tool.
- Open valve ①.

- Fill the cartridge for at least 15 seconds.

Guideline

Gas pressure	1.2 bar (17 psi)
--------------	------------------



Info

Watch the pressure regulator dial.
Ensure that the cartridge is filled to the specified pressure.

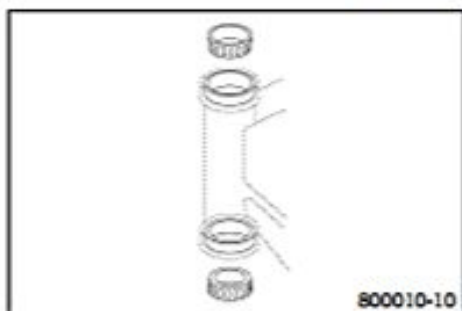
- Close the valve.
- Close the nitrogen bottle.
- Remove the special tool.
- Mount and tighten filling screw ② with the O-ring.

Guideline

Nitrogen filling screw of the fork leg	M4x0.5	2.5 Nm (1.84 lbf ft)
--	--------	-------------------------



6.34 Greasing the steering head bearing



- Remove the lower triple clamp. (☛ p. 49)
- Install the lower triple clamp. (☛ p. 50)

6.35 Removing the lower triple clamp

Preparatory work

- Raise the motorcycle with the lift stand. (☛ p. 10)
- Remove the front wheel. (☛ p. 99)
- Remove the fork legs. (☛ p. 14)
- Remove the start number plate. (☛ p. 96)
- Remove the front fender. (☛ p. 96)
- Remove the handlebar cushion.

Main work

- Remove screw ①.
- Remove screw ②.
- Take off the top triple clamp with the handlebar and set it aside.



Info

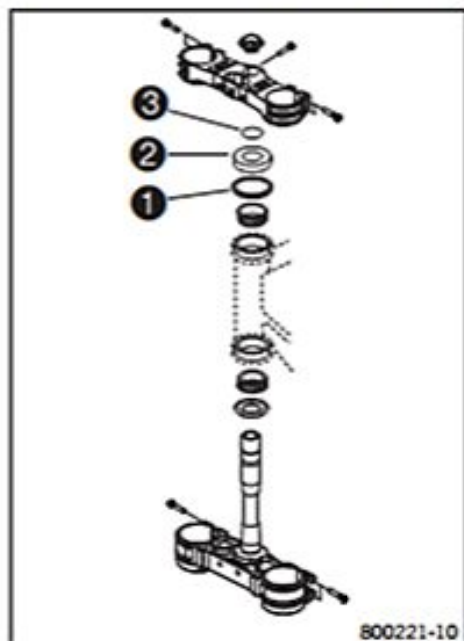
Protect the motorcycle and its attachments against damage by covering them.
Do not bend the cables and lines.





- Remove O-ring ③. Remove protective ring ④.
- Take out the lower triple clamp with the steering stem.
- Take out the upper steering head bearing.

6.36 Installing the lower triple clamp



Main work

- Clean the bearing and sealing elements, check for damage, and grease.

High viscosity grease (☞ p. 240)

- Insert the lower triple clamp with the steering stem. Mount the upper steering head bearing.
- Check whether the top steering head seal ① is correctly positioned.
- Slide on protective ring ② and O-ring ③.



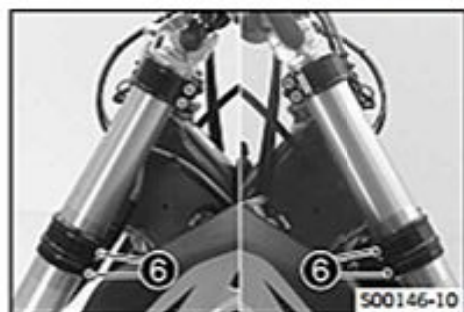
- Position the upper triple clamp with the steering.
- Mount screw ④ but do not tighten yet.



- Position the fork legs.
- ✓ Bleeder screws ⑤ face forward.

i Info

Grooves are milled into the side of the upper end of the fork legs. The second milled groove (from the top) must be flush with the top edge of the upper triple clamp.



- Fully tighten screws ⑥.

Guideline

Screw, bottom triple clamp	M8	12 Nm (8.9 lbf ft)
----------------------------	----	--------------------



- Tighten screw 4.

Guideline

Screw, top steering head	M20x1.5	12 Nm (8.9 lbf ft)
--------------------------	---------	--------------------



- Mount and tighten screw 7.

Guideline

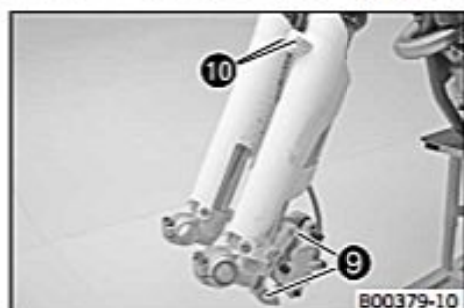
Screw, top steering stem	M8	17 Nm (12.5 lbf ft)	Loctite® 243™
--------------------------	----	------------------------	---------------



- Using a plastic hammer, tap lightly on the upper triple clamp to properly seat the clamp and avoid strain.
- Fully tighten screws 8.

Guideline

Screw, top triple clamp	M8	17 Nm (12.5 lbf ft)
-------------------------	----	------------------------



- Position the brake caliper. Mount and tighten screws 10.

Guideline

Screw, front brake caliper	M8	25 Nm (18.4 lbf ft)	Loctite® 243™
----------------------------	----	------------------------	---------------

- Position the brake line and clamp. Mount and tighten screws 9.

Finishing work

- Install the front fender. (☛ p. 96)
- Mount the handlebar cushion.
- Install the start number plate. (☛ p. 97)
- Install the front wheel. (☛ p. 100)
- Check that the wiring harness, cables, and brake and clutch lines can move freely and are routed correctly.
- Check the steering head bearing play. (☛ p. 51)
- Remove the motorcycle from the lift stand. (☛ p. 10)

6.37 Checking the steering head bearing play



Warning

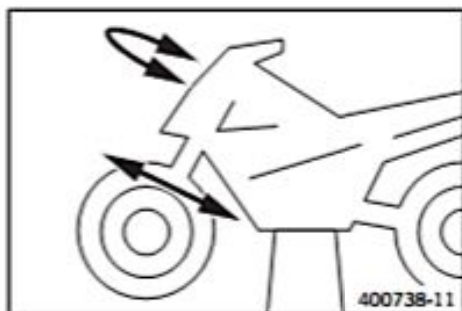
Danger of accidents Unstable vehicle handling from incorrect steering head bearing play.

- Adjust the steering head bearing play without delay.



Info

If the bike is ridden with play in the steering head bearing, the bearing and the bearing seats in the frame can become damaged over time.

**Preparatory work**

- Raise the motorcycle with the lift stand. (☛ p. 10)

Main work

- Move the handlebar to the straight-ahead position. Move the fork legs to and fro in the direction of travel.

No play should be noticeable in the steering head bearing.

- If there is noticeable play present:
 - Adjust the play of the steering head bearing. (☛ p. 52)
- Move the handlebar to and fro over the entire steering range.

The handlebar must be able to move easily over the entire steering range. No resting locations should be noticeable.

- If click positions are noticeable:
 - Adjust the play of the steering head bearing. (☛ p. 52)
 - Check the steering head bearing and change if necessary.

Finishing work

- Remove the motorcycle from the lift stand. (☛ p. 10)

6.38 Adjusting the play of the steering head bearing**Preparatory work**

- Raise the motorcycle with the lift stand. (☛ p. 10)
- Remove the handlebar cushion.

Main work

- Loosen screw ❶. Remove screw ❷.
- Loosen and retighten screw ❸.

Guideline

Screw, top steering head	M20x1.5	12 Nm (8.9 lbf ft)
--------------------------	---------	--------------------

- Using a plastic hammer, tap lightly on the upper triple clamp to avoid strains.
- Fully tighten screws ❶.

Guideline

Screw, top triple clamp	M8	17 Nm (12.5 lbf ft)
-------------------------	----	------------------------

- Mount and tighten screw ❷.

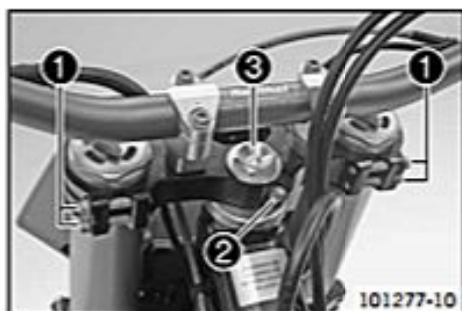
Guideline

Screw, top steering stem	M8	17 Nm (12.5 lbf ft)	Loctite® 243™
--------------------------	----	------------------------	---------------

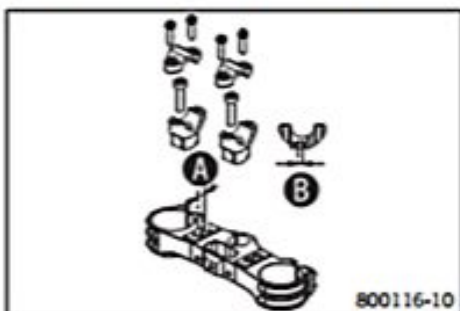
- Check the steering head bearing play. (☛ p. 51)

Finishing work

- Mount the handlebar cushion.
- Remove the motorcycle from the lift stand. (☛ p. 10)



7.1 Handlebar position



On the upper triple clamp, there are two holes at a distance of **A** to each other.

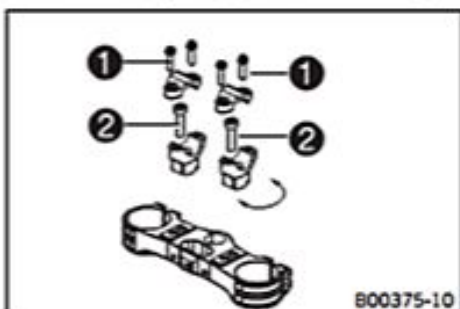
Hole distance A	15 mm (0.59 in)
-----------------	-----------------

The holes on the handlebar support are placed at a distance of **B** from the center.

Hole distance B	3.5 mm (0.138 in)
-----------------	-------------------

The handlebar can be mounted in four different positions. In this way, the handlebar can be mounted in the position that is most comfortable for the rider.

7.2 Adjusting the handlebar position



- Remove the four screws **1**. Remove the handlebar clamp. Remove the handlebar and lay it to one side.

i Info
Protect the motorcycle and its attachments against damage by covering them.
Do not bend the cables and lines.

- Remove screws **2**. Remove the handlebar supports.
- Place the handlebar supports in the required position. Mount and tighten screws **2**.

Guideline

Screw, handlebar support	M10	40 Nm (29.5 lbf ft)	Loctite® 243™
--------------------------	-----	------------------------	---------------

i Info
Position the left and right handlebar supports evenly.

- Position the handlebar.

i Info
Make sure cables and wiring are positioned correctly.

- Position the handlebar clamps. Fit and evenly tighten the four screws **1**.

Guideline

Screw, handlebar clamp	M8	20 Nm (14.8 lbf ft)
------------------------	----	------------------------

7.3 Adjusting the basic position of the clutch lever



- Adjust the basic setting of the clutch lever to your hand size by turning adjusting screw **1**.

i Info
Turn the adjusting screw counterclockwise to decrease the distance between the clutch lever and the handlebar.
Turn the adjusting screw clockwise to increase the distance between the clutch lever and the handlebar.
The range of adjustment is limited.
Turn the adjusting screw by hand only, and do not apply any force.
Do not make any adjustments while riding!

7.4 Checking the throttle cable routing

**Preparatory work**

- Remove the seat. (☛ p. 87)
- Remove the fuel tank. (☛ p. 87)

Main work

- Check the throttle cable routing.

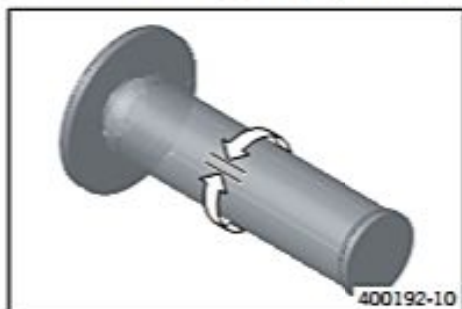
Both throttle cables must be routed to the throttle valve body side by side behind the handlebars and above the fuel tank bracket.

- If the throttle cable is not routed as specified:
 - Correct the throttle cable routing.

Finishing work

- Install the fuel tank. (☛ p. 88)
- Mount the seat. (☛ p. 87)

7.5 Checking the play in the throttle cable



- Check the throttle grip for smooth operation.
- Move the handlebar to the straight-ahead position. Move the throttle grip backwards and forwards to ascertain the play in the throttle cable.

Play in throttle cable	3... 5 mm (0.12... 0.2 in)
------------------------	----------------------------

- If the throttle cable play does not meet specifications:
 - Adjust the play in the throttle cable. (☛ p. 54)

**Danger**

Danger of poisoning Exhaust gases are toxic and inhaling them may result in unconsciousness and/or death.

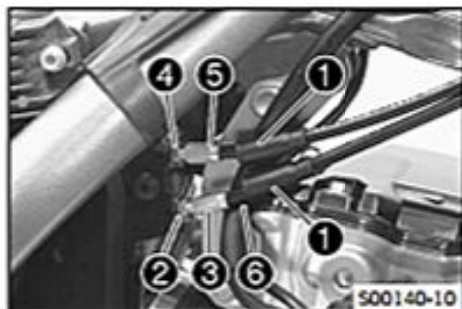
- When running the engine, always make sure there is sufficient ventilation, and do not start or run the engine in an enclosed space without an effective exhaust extraction system.

- Start the engine and let it run idle. Move the handlebar to and fro over the entire steering range.

The idle speed must not change.

- If the idle speed changes:
 - Adjust the play in the throttle cable. (☛ p. 54)

7.6 Adjusting the play in the throttle cable

**Preparatory work**

- Remove the seat. (☛ p. 87)
- Remove the fuel tank. (☛ p. 87)
- Check the throttle cable routing. (☛ p. 54)

Main work

- Move the handlebar to the straight-ahead position.
- Push back sleeves ⑤.
- Loosen nut ②. Turn adjusting screw ③ in as far as possible.
- Loosen nut ④. Turn adjusting screw ⑥ so that there is play in the throttle cable at the throttle grip.

Guideline

Play in throttle cable	3... 5 mm (0.12... 0.2 in)
------------------------	----------------------------

- Tighten nut ②.
- Press and hold the throttle grip in the closed setting. Turn adjusting screw ③ out until there is no play in the throttle cable ⑥.

- Tighten nut ②.
- Push sleeves ① on. Check the throttle grip for smooth operation.

Finishing work

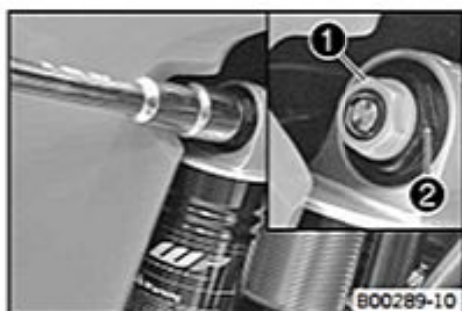
- Check the play in the throttle cable. (☛ p. 54)
- Install the fuel tank. (☛ p. 88)
- Mount the seat. (☛ p. 87)

8.1 Adjusting the high-speed compression damping of the shock absorber

Caution
Danger of accidents Disassembly of pressurized parts can lead to injury.

- The shock absorber is filled with high density nitrogen. Adhere to the description provided.

Info
 The high-speed setting can be seen during the fast compression of the shock absorber.



- Turn adjusting screw ❶ all the way clockwise with a socket wrench.

Info
 Do not loosen fitting ❷!

- Turn counterclockwise by the number of turns corresponding to the shock absorber type.

Guideline

Compression damping, high-speed (All SX-F EU models)	
Comfort	2.5 turns
Standard	2 turns
Sport	1.5 turns
Compression damping, high-speed (All SX-F USA models)	
Comfort	2.5 turns
Standard	2 turns
Sport	1.5 turns
Compression damping, high-speed (XC-F)	
Comfort	2.5 turns
Standard	2 turns
Sport	1.5 turns

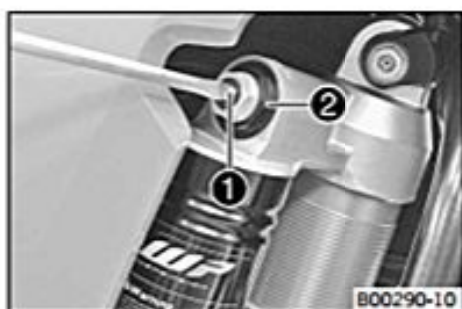
Info
 Turn clockwise to increase damping; turn counterclockwise to reduce damping.

8.2 Adjusting the low-speed compression damping of the shock absorber

Caution
Danger of accidents Disassembly of pressurized parts can lead to injury.

- The shock absorber is filled with high density nitrogen. Adhere to the description provided.

Info
 The low-speed setting can be seen during the slow to normal compression of the shock absorber.



- Turn adjusting screw ❶ clockwise with a screwdriver up to the last perceptible click.

Info
 Do not loosen fitting ❷!

- Turn counterclockwise by the number of clicks corresponding to the shock absorber type.

Guideline

Compression damping, low-speed (All SX-F EU models)	
Comfort	17 clicks
Standard	15 clicks
Sport	13 clicks
Compression damping, low-speed (All SX-F USA models)	
Comfort	17 clicks
Standard	15 clicks
Sport	13 clicks
Compression damping, low-speed (XC-F)	
Comfort	17 clicks
Standard	15 clicks
Sport	13 clicks


Info

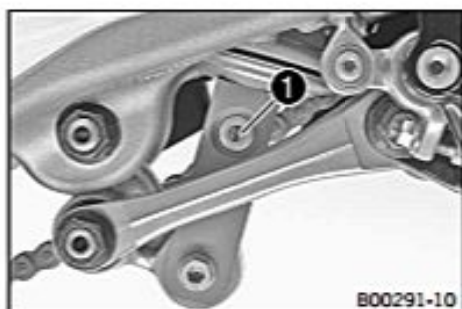
Turn clockwise to increase damping; turn counterclockwise to reduce damping.

8.3 Adjusting the rebound damping of the shock absorber


Caution

Danger of accidents Disassembly of pressurized parts can lead to injury.

- The shock absorber is filled with high density nitrogen. Adhere to the description provided.

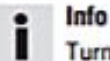


B00291-10

- Turn adjusting screw ❶ clockwise up to the last perceptible click.
- Turn counterclockwise by the number of clicks corresponding to the shock absorber type.

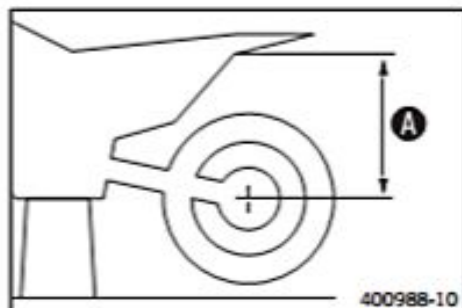
Guideline

Rebound damping (All SX-F EU models)	
Comfort	17 clicks
Standard	15 clicks
Sport	13 clicks
Rebound damping (All SX-F USA models)	
Comfort	17 clicks
Standard	15 clicks
Sport	13 clicks
Rebound damping (XC-F)	
Comfort	17 clicks
Standard	15 clicks
Sport	13 clicks


Info

Turn clockwise to increase damping; turn counterclockwise to reduce damping.

8.4 Measuring rear wheel sag unloaded



Preparatory work

- Raise the motorcycle with the lift stand. (☛ p. 10)

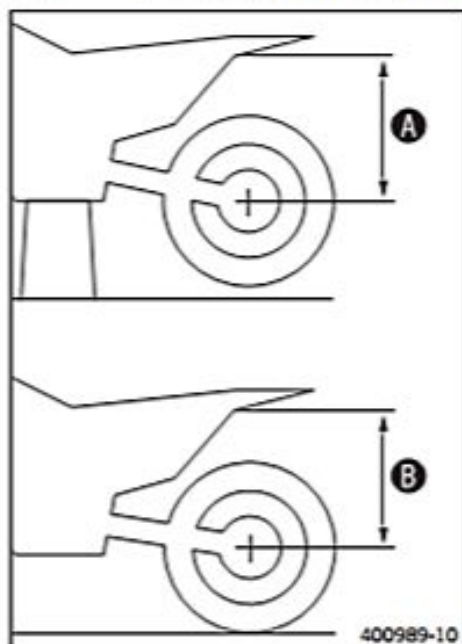
Main work

- Measure the vertical distance between the rear axle and a fixed point such as a marking on the side cover.
- Note down the value as dimension ❶.

Finishing work

- Remove the motorcycle from the lift stand. (☛ p. 10)

8.5 Checking the static sag of the shock absorber



- Measure distance ❶ of rear wheel unloaded. (☛ p. 58)
- Hold the motorcycle upright with the aid of an assistant.
- Measure the distance between the rear axle and the fixed point again.
- Note down the value as dimension ❷.



Info

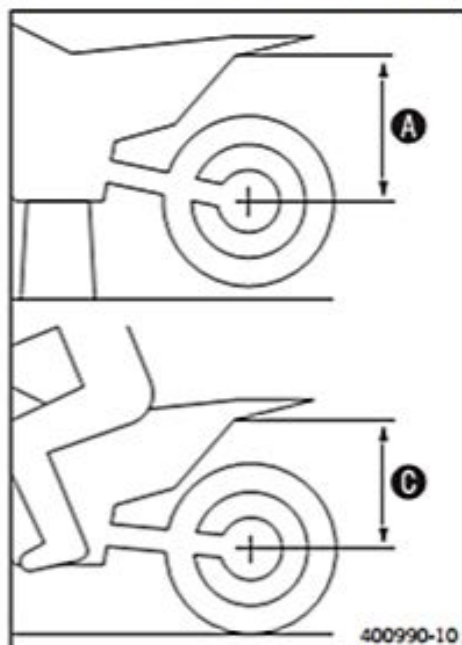
The static sag is the difference between measurements ❶ and ❷.

- Check the static sag.

Static sag (All SX-F EU models)	30 mm (1.18 in)
Static sag (All SX-F USA models)	30 mm (1.18 in)
Static sag (XC-F)	30 mm (1.18 in)

- If the static sag is less or more than the specified value:
 - Adjust the spring preload of the shock absorber. (☛ p. 59)

8.6 Checking the riding sag of the shock absorber



- Measure distance ❶ of rear wheel unloaded. (☛ p. 58)
- With another person holding the motorcycle, the rider, wearing full protective clothing, sits on the seat in a normal sitting position (feet on footrests) and bounces up and down a few times.
 - ✓ The rear wheel suspension levels out.
- Another person now remeasures the distance between the rear axle and a fixed point.
- Note down the value as dimension ❷.



Info

The riding sag is the difference between measurements ❶ and ❷.

- Check the riding sag.

Riding sag (All SX-F EU models)	90 mm (3.54 in)
Riding sag (All SX-F USA models)	100 mm (3.94 in)
Riding sag (XC-F)	100 mm (3.94 in)

- If the riding sag differs from the specified measurement:
 - Adjust the riding sag. (☛ p. 59)

8.7 Adjusting the spring preload of the shock absorber

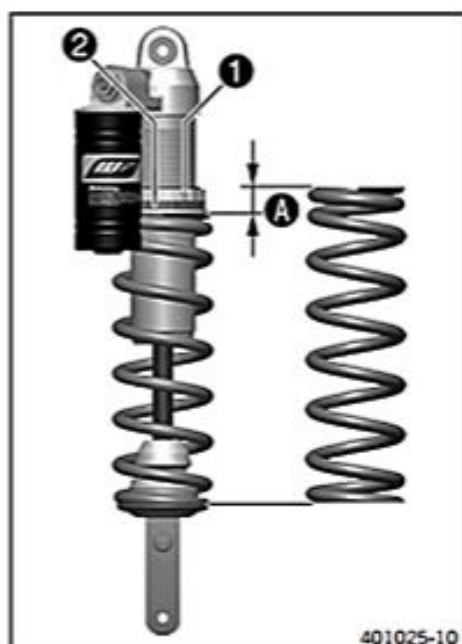
Caution

Danger of accidents Disassembly of pressurized parts can lead to injury.

- The shock absorber is filled with high density nitrogen. Adhere to the description provided.

Info

Before changing the spring preload, make a note of the present setting, e.g., by measuring the length of the spring.



Preparatory work

- Raise the motorcycle with the lift stand. (☛ p. 10)
- Remove the manifold. (☛ p. 80)
- Remove the shock absorber. (☛ p. 60)
- After removing the shock absorber, clean it thoroughly.

Main work

- Loosen screw ❶.
- Turn adjusting ring ❷ until the spring is no longer under tension.

Hook wrench (T106S) (☛ p. 250)

- Measure the overall spring length while the spring is not under tension.
- Tighten the spring by turning adjusting ring ❷ to measurement ❸.

Guideline

Spring preload (All SX-F EU models)	14 mm (0.55 in)
Spring preload (All SX-F USA models)	12 mm (0.47 in)
Spring preload (XC-F)	12 mm (0.47 in)

Info

Depending on the static sag and/or the riding sag, it may be necessary to increase or decrease the spring preload.

- Tighten screw ❶.

Guideline

Screw, shock absorber adjusting ring	M5	5 Nm (3.7 lbf ft)
--------------------------------------	----	-------------------

Finishing work

- Install the shock absorber. (☛ p. 61)
- Install the manifold. (☛ p. 80)
- Remove the motorcycle from the lift stand. (☛ p. 10)

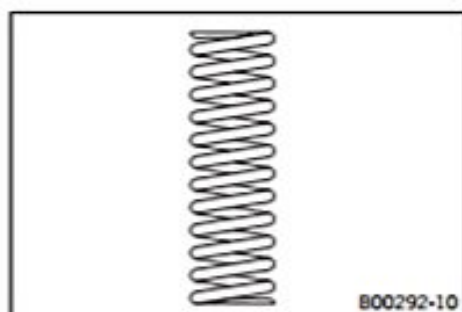
8.8 Adjusting the riding sag

Preparatory work

- Raise the motorcycle with the lift stand. (☛ p. 10)
- Remove the manifold. (☛ p. 80)
- Remove the shock absorber. (☛ p. 60)
- After removing the shock absorber, clean it thoroughly.

Main work

- Choose and mount a suitable spring.



Guideline

Spring rate (All SX-F EU models)	
Weight of rider: 65... 75 kg (143... 165 lb.)	54 N/mm (308 lb/in)
Weight of rider: 75... 85 kg (165... 187 lb.)	57 N/mm (325 lb/in)
Weight of rider: 85... 95 kg (187... 209 lb.)	60 N/mm (343 lb/in)
Spring rate (All SX-F USA models)	
Weight of rider: 65... 75 kg (143... 165 lb.)	54 N/mm (308 lb/in)
Weight of rider: 75... 85 kg (165... 187 lb.)	57 N/mm (325 lb/in)
Weight of rider: 85... 95 kg (187... 209 lb.)	60 N/mm (343 lb/in)
Spring rate (XC-F)	
Weight of rider: 65... 75 kg (143... 165 lb.)	54 N/mm (308 lb/in)
Weight of rider: 75... 85 kg (165... 187 lb.)	57 N/mm (325 lb/in)
Weight of rider: 85... 95 kg (187... 209 lb.)	60 N/mm (343 lb/in)

Info
The spring rate is shown on the outside of the spring.

Finishing work

- Install the shock absorber. (☛ p. 61)
- Install the manifold. (☛ p. 80)
- Check the static sag of the shock absorber. (☛ p. 58)
- Check the riding sag of the shock absorber. (☛ p. 58)
- Adjust the rebound damping of the shock absorber. (☛ p. 57)
- Remove the motorcycle from the lift stand. (☛ p. 10)

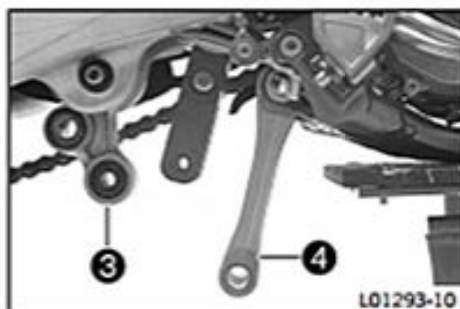
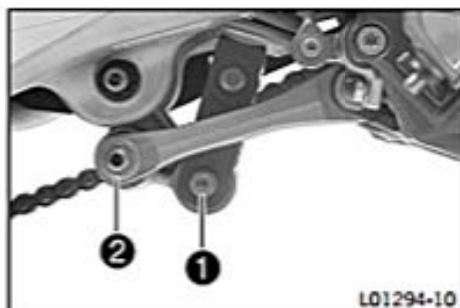
8.9 Removing the shock absorber

Preparatory work

- Raise the motorcycle with the lift stand. (☛ p. 10)
- Remove the manifold. (☛ p. 80)

Main work

- Remove screw ❶.
- Remove fitting ❷.
- Press angle lever ❸ toward the rear.
- Press linkage lever ❹ downward.



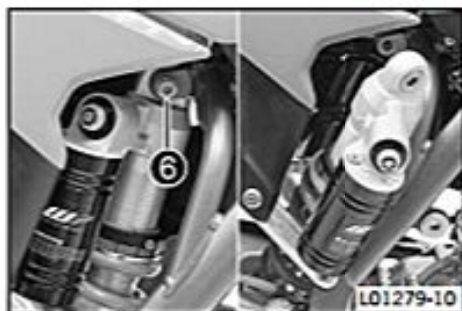


- Lift the swingarm.



- Remove the cable binder of the frame protector.
- Remove screw 5.
- Remove the frame protector.

i Info
Pay attention to the holding lugs.



- Remove screw 6.
- Carefully remove the shock absorber upward out of the vehicle.

8.10 Installing the shock absorber



Main work

- From above, position the shock absorber carefully in the vehicle.
- Mount and tighten screw 1.

Guideline

Screw, top shock absorber	M10	60 Nm (44.3 lbf ft)	Loctite® 2701™
---------------------------	-----	------------------------	----------------



- Position the frame protector.

i Info
Pay attention to the holding lugs.

- Mount and tighten screw 2.

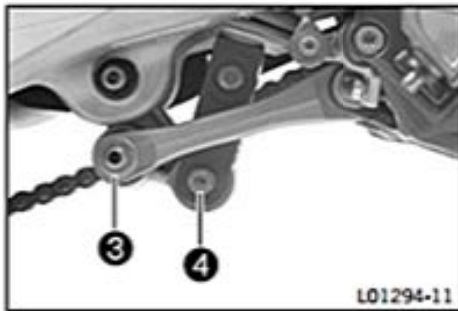
Guideline

Screw, frame protector	M5	3 Nm (2.2 lbf ft)
------------------------	----	-------------------

- Attach the frame protector with a cable binder.



- Lower the swingarm.



- Position the angle lever and linkage lever.
- Mount and tighten screw cap ③.

Guideline

Nut, linkage lever to angle lever	M14x1.5	80 Nm (59 lbf ft)
-----------------------------------	---------	-------------------

- Mount and tighten screw ④.

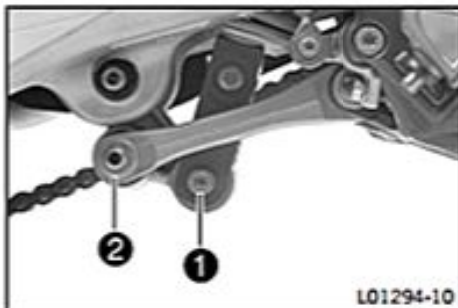
Guideline

Screw, bottom shock absorber	M10	60 Nm (44.3 lbf ft)	Loctite® 2701™
------------------------------	-----	---------------------	----------------

Finishing work

- Install the manifold. (☛ p. 80)
- Remove the motorcycle from the lift stand. (☛ p. 10)

8.11 Checking the shock absorber linkage



Preparatory work

- Raise the motorcycle with the lift stand. (☛ p. 10)

Main work

- Remove screw ①.
- Remove screw connection ②.

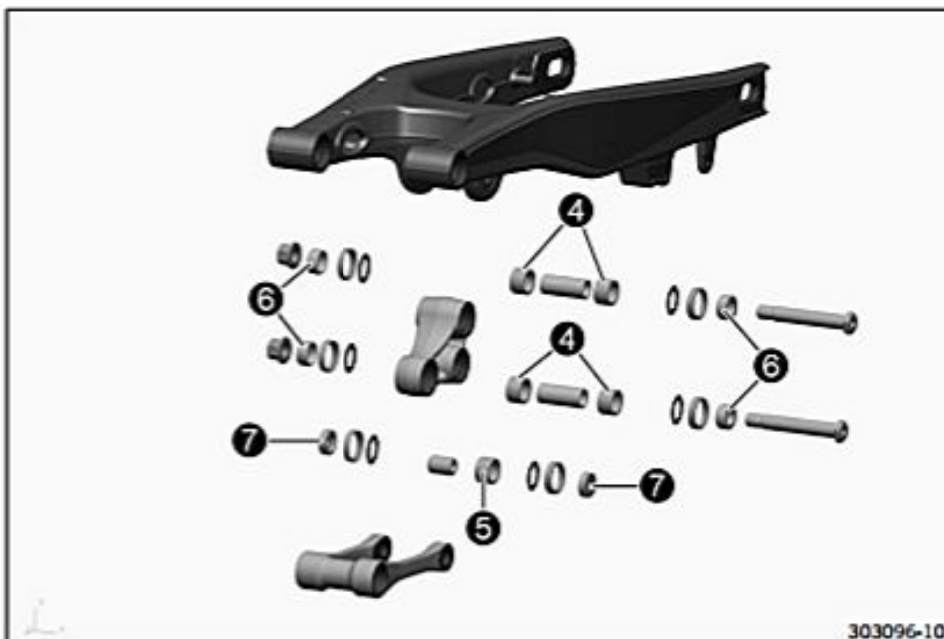


Info

Raise the wheel slightly to make it easier to remove the screws.

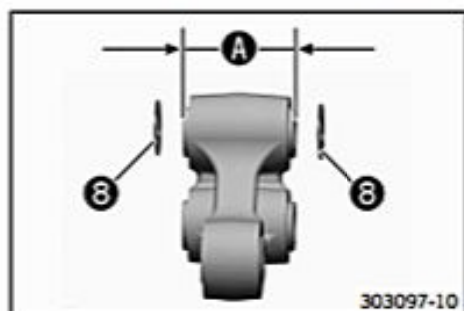


- Remove screw connection ③.
- Take off the angle lever.



- Check needle bearing ④ and ⑤ for damage and wear.
 - If there is damage or wear:

- Change the needle bearing.
- Check spacers ⑧ and ⑨ for damage and wear.
 - If there is damage or wear:
 - Change the spacers.
- Check the shaft seal rings for damage and wear.
 - If there is damage or wear:
 - Change the shaft seal rings.



- Check dimension ①.

54.91... 55.00 mm (2.1618... 2.1654 in)

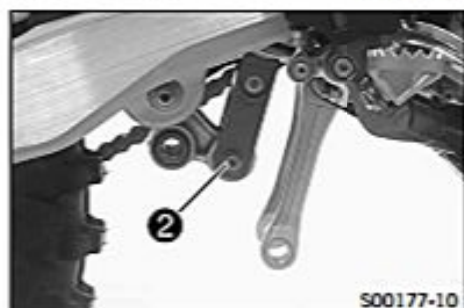
- If dimension ① is less than the specified value:
 - Add the corresponding spacing washers ⑩.



- Position the angle lever.
- Mount screw connection ③ but do not tighten yet.

Guideline

Nut, linkage lever on swingarm	M14x1.5	80 Nm (59 lbf ft)
--------------------------------	---------	-------------------



- Mount screw ② but do not tighten yet.

Guideline

Screw, bottom shock absorber	M10	60 Nm (44.3 lbf ft)	Loctite® 2701™
------------------------------	-----	---------------------	----------------



Info
Raise the wheel slightly to make it easier to mount the screw.



- Position the linkage lever.
- Mount and tighten screw connection ①.

Guideline

Nut, linkage lever to angle lever	M14x1.5	80 Nm (59 lbf ft)
-----------------------------------	---------	-------------------



Info
Raise the wheel slightly to make it easier to mount the screw.

- Tighten screws ② and ③.

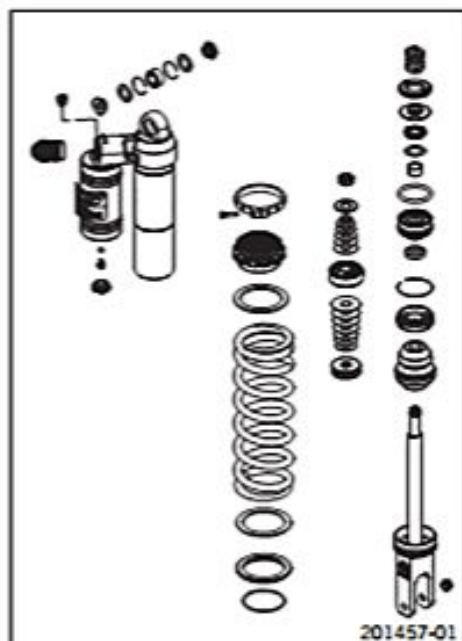
Guideline

Screw, bottom shock absorber	M10	60 Nm (44.3 lbf ft)	Loctite® 2701™
Nut, linkage lever on swingarm	M14x1.5	80 Nm (59 lbf ft)	-

8.12 Servicing the shock absorber

Caution
Danger of accidents Disassembly of pressurized parts can lead to injury.

- The shock absorber is filled with high density nitrogen. Adhere to the description provided.



Condition

The shock absorber has been removed.

- Remove the spring. (☛ p. 64)
- Disassemble the damper. (☛ p. 65)
- Disassemble the piston rod. (☛ p. 66)
- Disassemble the seal ring retainer. (☛ p. 67)
- Check the damper. (☛ p. 68)
- Remove the heim joint. (☛ p. 69)
- Install the heim joint. (☛ p. 70)
- Assemble the seal ring retainer. (☛ p. 71)
- Assemble the piston rod. (☛ p. 71)
- Assemble the damper. (☛ p. 73)
- Install the spring. (☛ p. 78)

8.13 Removing the spring



Condition

The shock absorber has been removed.

- Clamp the shock absorber in the vise using soft jaws for protection.
- Measure and note spring length in its preloaded state.
- Loosen screw ❶.
- Turn adjusting ring until the spring is no longer under tension.

Hook wrench (T106S) (☛ p. 250)



- Remove ring ❷.
- Remove spring retainer ❸ and intermediate washer ❹.
- Remove the spring.

8.14 Disassembling the damper

Preparatory work

- Remove the spring. (☛ p. 64)

Main work

- Note down the current state of rebound damping ❶ and compression damping ❷.
- Completely open the adjusters of the rebound and compression damping.



- Remove rubber cap ❸ of the reservoir.
- Open screw ❹ slowly.
- ✓ The pressurized nitrogen escapes.



- Remove locking cap ❺.



- Press in seal ring retainer ❻ using the special tool.

Disassembly tool (T1216) (☛ p. 252)



- Remove lock ring ❼.



Info

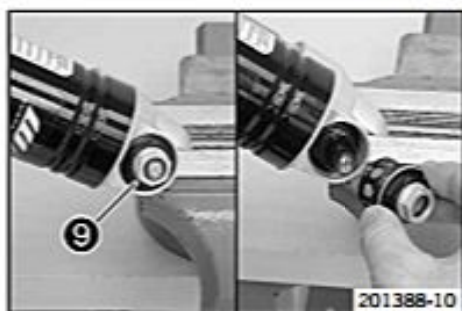
Do not scratch the inner surface.



- Remove the piston rod.



- Remove adjusting ring ⑧ with the intermediate washer.
- Drain the oil.



- Remove compression adjuster ⑨. Remove the spring and piston.

8.15 Disassembling the piston rod

Preparatory work

- Remove the spring. (☞ p. 64)
- Disassemble the damper. (☞ p. 65)

Main work

- Clamp the piston rod with the fork in a vise.

Guideline

Use soft jaws.



- Remove nut ①.
- Remove washer ②.



- Remove rebound shim stack ③.



Info

Place the rebound shim stack onto a screwdriver and set it down as a unit.

- Remove piston ④.



- Remove compression shim stack ⑤.



Info

Place the compression shim stack onto a screwdriver and set it down as a unit.

- Remove rebound washer ⑥.



- Remove seal ring retainer ⑦.
- Remove locking cap ⑧ and rubber buffer ⑨.

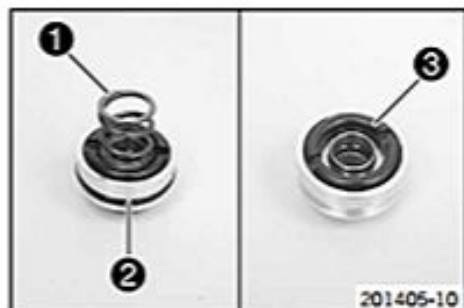
8.16 Disassembling the seal ring retainer

Preparatory work

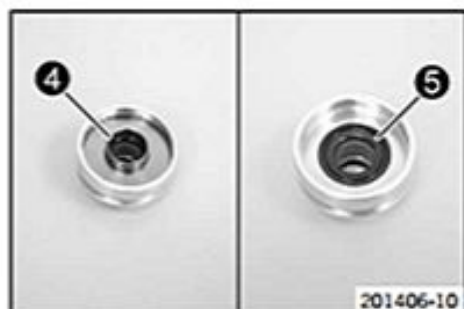
- Remove the spring. (☞ p. 64)
- Disassemble the damper. (☞ p. 65)
- Disassemble the piston rod. (☞ p. 66)

Main work

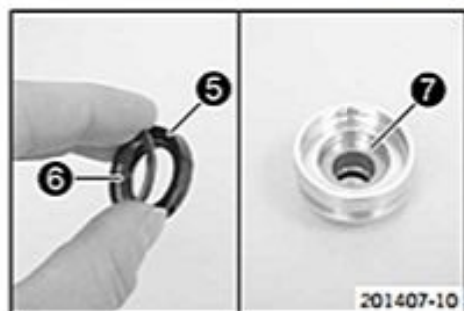
- Remove spring ①.
- Remove O-ring ②.
- Remove rebound rubber ③.



- Remove centering disk ④.
- Remove seal ring ⑤.



- Remove washer ⑥ for seal ring ⑤.
- Remove washer ⑦.
- Remove dust boot.



8.17 Changing the pilot bushing

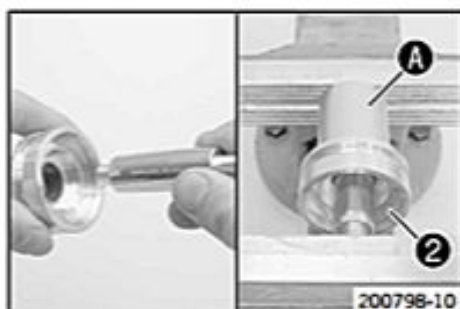
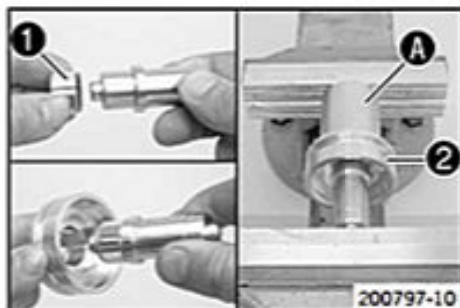
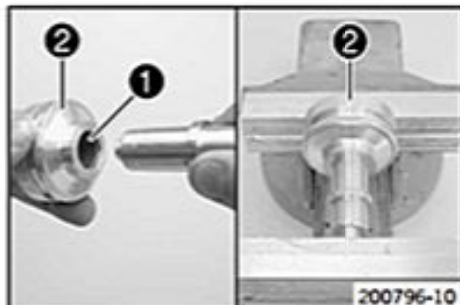
Preparatory work

- Remove the spring. (☞ p. 64)
- Disassemble the damper. (☞ p. 65)
- Disassemble the piston rod. (☞ p. 66)
- Disassemble the seal ring retainer. (☞ p. 67)

Main work

- Press pilot bushing ❶ out of seal ring retainer ❷ with the special tool.

Press drift (T1504) (☞ p. 255)



- Slide the new pilot bushing ❶ onto the special tool.

Press drift (T1504) (☞ p. 255)

- Position the pilot bushing in the seal ring retainer using the special tool.

Press drift (T1504) (☞ p. 255)

- Support seal ring retainer ❷ with sleeve ❸ of the special tool. Press the pilot bushing all the way in.

Assembly tool (T150S) (☞ p. 255)

- Lubricate the special tool.

Shock absorber oil (SAE 2.5) (50180342S1) (☞ p. 238)
--

Calibration pin (T1205) (☞ p. 251)

- Support seal ring retainer ❷ with sleeve ❸ of the special tool.

Assembly tool (T150S) (☞ p. 255)

- Press the special tool through the new pilot bushing.

Calibration pin (T1205) (☞ p. 251)

✓ The pilot bushing is calibrated.

Finishing work

- Assemble the seal ring retainer. (☞ p. 71)

8.18 Checking the damper

Condition

The damper has been disassembled.

- Measure the inside diameter on both ends and in the middle of the damper cartridge.

Damper cartridge	
Diameter	≤ 50.08 mm (≤ 1.9716 in)

- If the measured value is greater than the specified value:
 - Change the damper cartridge.
- Check the damper cartridge for damage and wear.
 - If there is damage or wear:
 - Change the damper cartridge.
- Check the heim joint for damage and wear.
 - If there is damage or wear:
 - Change the heim joint.





- Measure the diameter of the piston rod.

Piston rod	
Diameter	≥ 17.95 mm (≥ 0.7067 in)

- If the measured value is less than the specified value:
 - Change the piston rod.

- Measure the run-out of the piston rod.

Piston rod	
Run-out	≤ 0.02 mm (≤ 0.0008 in)

- If the measured value is greater than the specified value:
 - Change the piston rod.

- Check the piston rod for damage and wear.

- If there is damage or wear:
 - Change the piston rod.

- Check the piston rings for damage and wear.

- If damage or a bronze-colored surface is visible:
 - Change the piston.



8.19 Removing the heim joint

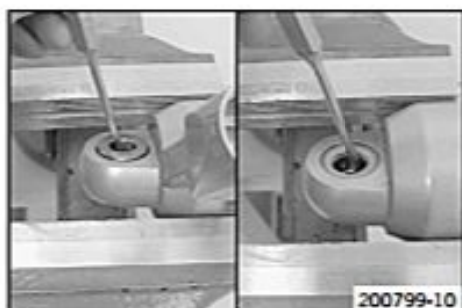
Condition

The shock absorber has been removed.

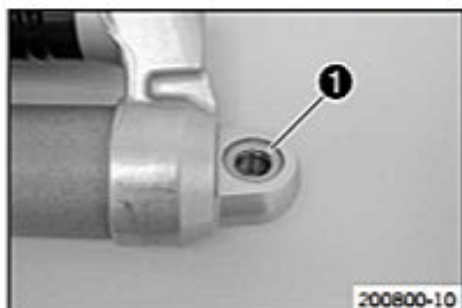
- Clamp the shock absorber in the vise using soft jaws for protection.
- Remove the collar bushing of the heim joint.

Pin (T120) (☛ p. 250)

- Turn the shock absorber and remove the second collar bushing of the heim joint.



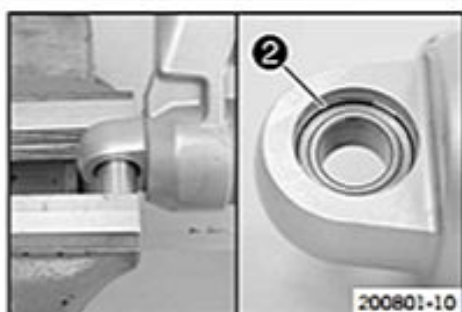
- Remove seal rings ❶ on both sides.

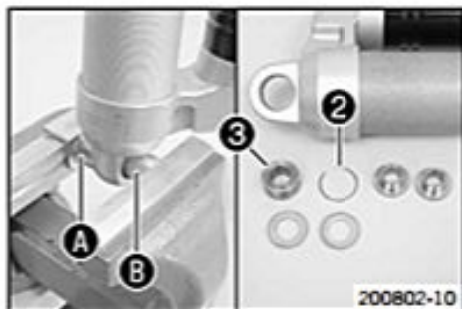


- Press the heim joint against a lock ring using the special tool.

Pressing tool (T1207S) (☛ p. 251)

- Remove the second lock ring ❷.





- Place special tool ① underneath and press out heim joint ② with special tool ③.

Pressing tool (T1207S) (☛ p. 251)

8.20 Installing the heim joint



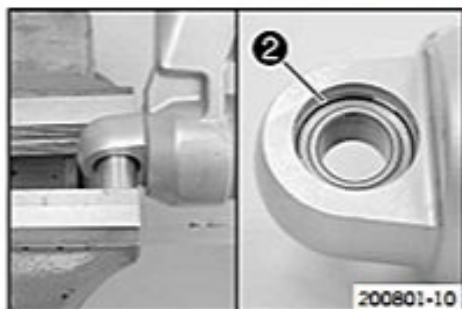
- Position the new heim joint ① and the special tool into a vise as shown.

Guideline

Use soft jaws.

Pressing tool (T1206) (☛ p. 251)

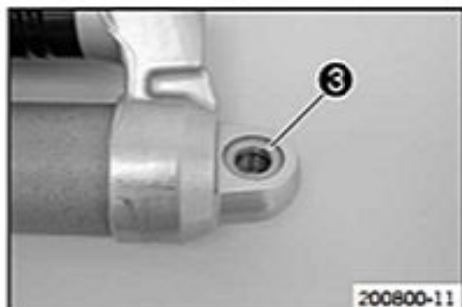
- Press the heim joint all the way in.



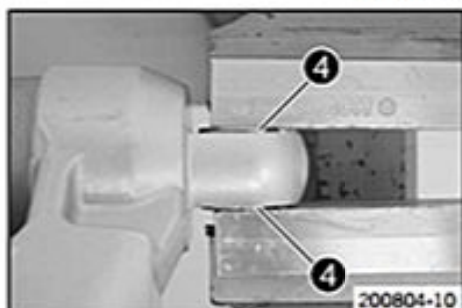
- Press the heim joint against the lock ring using the special tool.

Pressing tool (T1207S) (☛ p. 251)

- Mount the second lock ring ②.



- Mount seal rings ③ on both sides.



- Position both collar bushings ④ and press them in.

8.21 Assembling the seal ring retainer



- Mount dust boot ① using the special tool.

Mounting sleeve (T1204) (☞ p. 251)

- Lubricate the sealing lip of the dust boot.

Lubricant (T625) (☞ p. 241)



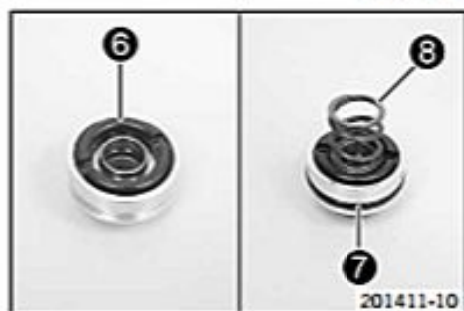
- Mount washer ②.
- Position washer ② on seal ring ④.



- Grease seal ring ④ and mount with the washer facing downward.

Lubricant (T511) (☞ p. 240)

- Mount centering disk ⑤.



- Mount rebound rubber ⑥.
- Lubricate the groove of the O-ring.

Lubricant (T158) (☞ p. 240)

- Mount O-ring ⑦.
- Mount spring ⑧.

8.22 Assembling the piston rod



Preparatory work

- Assemble the seal ring retainer. (☞ p. 71)

Main work

- Clamp the piston rod with the fork in a vise.

Guideline

Use soft jaws.

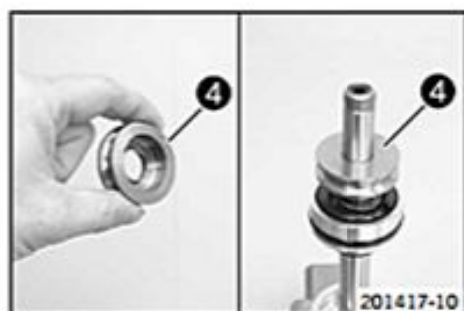
- Mount rubber buffer ① and locking cap ②.
- Position special tool on the piston rod.

Mounting sleeve (T1215) (☞ p. 251)

- Grease the dust boot and push seal ring retainer ③ onto the piston rod.

Lubricant (T625) (☞ p. 241)

- Remove the special tool.



- Mount rebound washer 4 with the cut-out facing downward.



- Mount the compression shim stack 5 with the smaller shims facing downward.



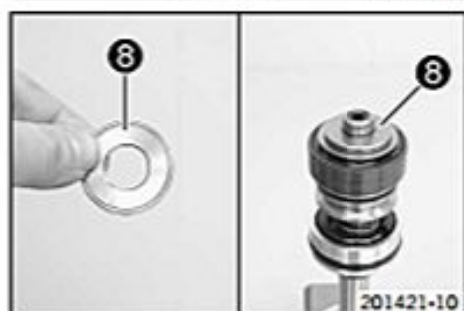
- Sand both sides of piston 6 on a surface plate using 1200-grit sandpaper.
- Clean the piston.
- Assemble the piston.

Guideline

View A	Piston from above
View B	Piston from below



- Mount the rebound shim stack 7 with the smaller shims facing upward.



- Mount washer 8 with the collar facing downward.



- Grease the thread of the piston rod.

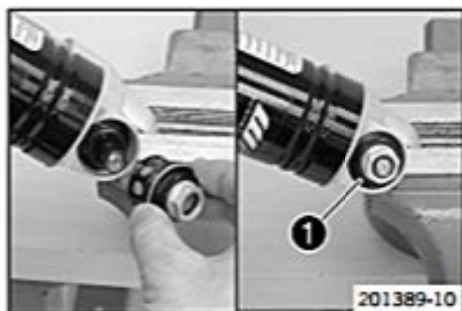
Lubricant (T152) (☛ p. 241)

- Mount and tighten nut 9.

Guideline

Nut, piston rod	M16x1	45 Nm (33.2 lbf ft)
-----------------	-------	------------------------

8.23 Assembling the damper



Preparatory work

- Assemble the seal ring retainer. (☛ p. 71)
- Assemble the piston rod. (☛ p. 71)

Main work

- Lubricate the O-rings of the compression adjuster.

Lubricant (T158) (☛ p. 240)

- Lubricate the threads.

Lubricant (T159) (☛ p. 241)

- Mount the piston with the spring.
- Mount and tighten the compression adjuster ❶.

Guideline

Compression adjuster	M31x1	45 Nm (33.2 lbf ft)
----------------------	-------	------------------------

- Clamp the damper in a bench vise.

Guideline

Use soft jaws.

- Mount adjusting ring ❷ with the intermediate washer.



Info

The adjusting ring cannot be mounted after the piston rod is mounted.



- Fill the damper cartridge about half full.

Shock absorber oil (SAE 2.5) (50180342S1) (☛ p. 238)

- Lubricate O-ring ❸ of the seal ring retainer.

Lubricant (T158) (☛ p. 240)

- Mount the piston rod carefully.



- Install the seal ring bearer ❹ and push it under the ring groove.
- Mount lock ring ❺.



Info

Do not scratch the inner surface.

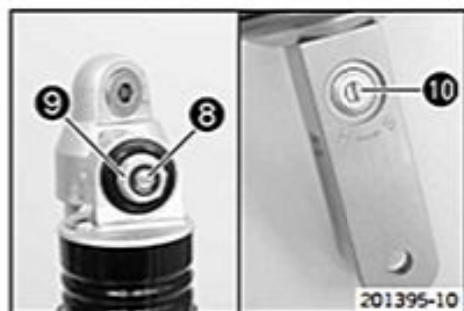
- Pull out the piston rod so that the seal ring retainer rests against the lock ring.



- Mount locking cap ❻ of the damper cartridge.
- Bleed and fill the damper. (☛ p. 75)
- Fill the damper with nitrogen. (☛ p. 77)



- Mount rubber cap 7 of the reservoir.

**Alternative 1**

- Turn adjusting screw 8 clockwise with a screwdriver up to the last perceptible click.
- Turn back counterclockwise by the number of clicks corresponding to the shock absorber type.

Guideline

Compression damping, low-speed	
Comfort	17 clicks
Standard	15 clicks
Sport	13 clicks

- Turn adjusting screw 9 all the way clockwise with a socket wrench.
- Turn back counterclockwise by the number of turns corresponding to the shock absorber type.

Guideline

Compression damping, high-speed	
Comfort	2.5 turns
Standard	2 turns
Sport	1.5 turns

- Turn adjusting screw 10 clockwise up to the last perceptible click.
- Turn back counterclockwise by the number of clicks corresponding to the shock absorber type.

Guideline

Rebound damping	
Comfort	17 clicks
Standard	15 clicks
Sport	13 clicks

Alternative 2**Warning**

Danger of accidents Modifications to the suspension settings can seriously alter the vehicle's ride behavior.

- Extreme modifications to the adjustment of the suspension components can cause a serious deterioration in the handling characteristics and overload some components.
 - Only make adjustments within the recommended range.
 - After making adjustments, ride slowly at first to get the feel of the new ride behavior.
-
- Turn adjusting screws 8, 9 and 10 to the position determined during disassembly.

8.24 Bleeding and filling the damper

i Info

Before working with the vacuum pump, be sure to read the operating instructions carefully. Completely open the adjusters of the rebound and compression damping.



- Remove the screw of the filling port.
- Install adapter 1 on the damper.

i Info

Tighten only hand-tight, without the use of tools.

- Connect the adapter 1 to connector 2 of the vacuum pump.

Vacuum pump (T1240S) (☛ p. 252)

- Clamp the damper with soft jaws or hold it as shown in the figure.

i Info

Clamp the damper only lightly.

The filling port must be at the highest point.

The piston rod slides in and out during filling - do not hold it tight with your hand!



- Clamp the control lever as shown in the figure.
 - ✓ The **External tank** 3 control lever is on **Closed**, **Damper** 4 on **Vacuum**, and **Oil reservoir** 5 on **Vacuum**.

- Operate the **On/Off** switch 6.

✓ The vacuum pump process starts.

✓ Pressure gauge 7 drops to the specified value.

< 0 bar

✓ The vacuum gauge 8 falls to the specified value.

4 mbar



- Measure distance A between the floating piston and reservoir hole with the special tool.

Depth micrometer (T107S) (☛ p. 250)

✓ The floating piston is positioned all the way at the bottom.



- When the vacuum pressure gauge reaches the specified value, turn the **Oil reservoir** control lever 5 to **Equalize pressure**.

Guideline

4 mbar

✓ The pressure gauge increases to the specified value.

0 bar



- When the pressure gauge reaches the specified value, turn the **Damper** control lever ④ to **Pressure**.

Guideline

0 bar

- ✓ Oil is pumped into the damper.
- ✓ The pressure gauge increases to the specified value.

3 bar



- When the pressure gauge reaches the specified value, turn the **Damper** control lever ④ to **Vacuum**.

Guideline

3 bar

- ✓ The pressure gauge drops to the specified value.

0 bar



- When the pressure gauge reaches the specified value, turn the **Oil reservoir** control lever ⑤ to **Vacuum**.

Guideline

0 bar

- ✓ The vacuum gauge falls to the specified value.

8 mbar



- When the vacuum pressure gauge reaches the specified value, turn the **Oil reservoir** control lever ⑤ to **Equalize Pressure**.

Guideline

8 mbar

- ✓ The pressure gauge drops to the specified value.

0 bar



- When the pressure gauge reaches the specified value, turn the **Damper** control lever ④ to **Pressure**.

Guideline

0 bar

- ✓ Oil is pumped into the damper.
- ✓ The pressure gauge increases to the specified value.

3 bar



- When the pressure gauge reaches the specified value, turn the **Damper** control lever ④ to **Vacuum**.

Guideline

3 bar

- ✓ The pressure gauge drops to the specified value.

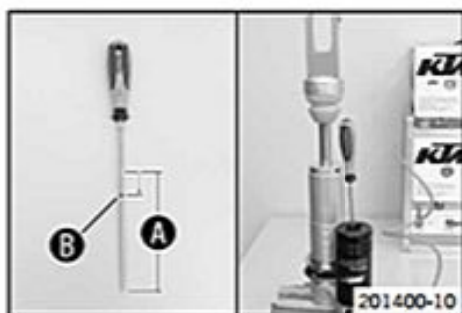
0 bar

- When the pressure gauge reaches the specified value, operate the **On/Off** switch.

Guideline

0 bar

- ✓ The vacuum pump is switched off.



- Slide O-ring ❶ to the end of the special tool by the specified value (distance ❶ minus specified value).

Guideline

10 mm

Depth micrometer (T107S) (☞ p. 250)

- Slide the floating piston into the reservoir to the shortened position using the special tool.



Info

The floating piston must be positioned at exactly this point when the rod is fully extended; otherwise, damage will occur during compression of the shock absorber.

- Remove the special tool.
- Remove adapter ❶ from connection ❷ of the vacuum pump.



Info

Hold the damper so that the filling port is at the highest point.

- Remove the adapter.
- Mount and tighten screw ❸.

Guideline

Screw, filling port	M10x1	14 Nm (10.3 lbf ft)
---------------------	-------	------------------------



8.25 Filling the damper with nitrogen



- Screw in screw ❶ by approx. 2 rotations but do not tighten.



Info

The piston rod is fully extended.



- Clamp the special tool in the vise.

Nitrogen filling tool (T170S1) (☞ p. 255)

- Connect the special tool to the pressure regulator of the filling cylinder.

Filling gas - nitrogen

- Adjust the pressure regulator.

Guideline

Gas pressure	10 bar (145 psi)
--------------	------------------

- Position the damper in the special tool.

- ✓ The hexagonal part of the tap handle ❶ engages in the hexagon socket of the filling port screw.

- Open filler tap ❷.
- Fill the damper for at least 15 seconds.

Guideline

Gas pressure	10 bar (145 psi)
--------------	------------------



Info

Watch the pressure regulator dial.
Make sure that the damper is filled to the specified pressure.

- Close the filling port screw using tap handle ❶.

- Close spigot ❶ and take the damper out of the special tool.
- Tighten the filling port screw.

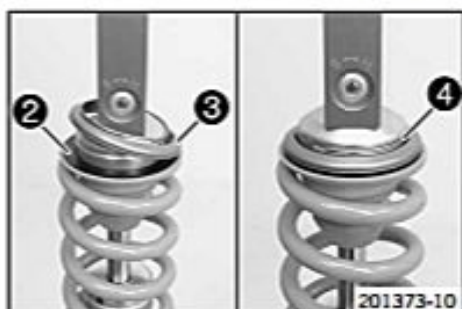
Guideline

Screw, reservoir filling port	M5	3 Nm (2.2 lbf ft)
-------------------------------	----	-------------------

8.26 Installing the spring (All SX-F EU models)



- Ensure that adjusting ring ❶ is screwed on with the intermediate washer.



- Measure the overall spring length while the spring is not under tension.
- Position spring.

Guideline

Spring rate	
Weight of rider: 65... 75 kg (143... 165 lb.)	54 N/mm (308 lb/in)
Weight of rider: 75... 85 kg (165... 187 lb.)	57 N/mm (325 lb/in)
Weight of rider: 85... 95 kg (187... 209 lb.)	60 N/mm (343 lb/in)

- Mount intermediate washer ❷ and spring retainer ❸.
- Mount ring ❹.

Alternative 1

- Tension the spring to the prescribed amount by turning the adjusting ring.

Guideline

Spring preload	14 mm (0.55 in)
Hook wrench (T106S) (☞ p. 250)	

Alternative 2



Warning

Danger of accidents Modifications to the suspension settings can seriously alter the vehicle's ride behavior.

- Extreme modifications to the adjustment of the suspension components can cause a serious deterioration in the handling characteristics and overload some components.
- Only make adjustments within the recommended range.
- After making adjustments, ride slowly at first to get the feel of the new ride behavior.

- Tension the spring to the amount measured during dismantling by turning the adjusting ring.

Hook wrench (T106S) (☞ p. 250)

- Tighten screw ❺.

Guideline

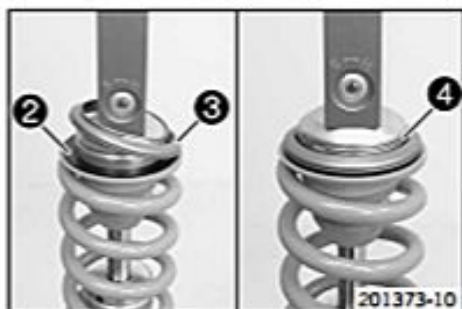
Screw, shock absorber adjusting ring	M5	5 Nm (3.7 lbf ft)
--------------------------------------	----	-------------------



8.27 Installing the spring (All USA models)



- Ensure that adjusting ring ❶ is screwed on with the intermediate washer.



- Measure the overall spring length while the spring is not under tension.
- Position spring.

Guideline

Spring rate	
Weight of rider: 65... 75 kg (143... 165 lb.)	54 N/mm (308 lb/in)
Weight of rider: 75... 85 kg (165... 187 lb.)	57 N/mm (325 lb/in)
Weight of rider: 85... 95 kg (187... 209 lb.)	60 N/mm (343 lb/in)

- Mount intermediate washer ❷ and spring retainer ❸.
- Mount ring ❹.

Alternative 1

- Tension the spring to the prescribed amount by turning the adjusting ring.

Guideline

Spring preload	12 mm (0.47 in)
Hook wrench (T106S) (☛ p. 250)	

Alternative 2



Warning

Danger of accidents Modifications to the suspension settings can seriously alter the vehicle's ride behavior.

- Extreme modifications to the adjustment of the suspension components can cause a serious deterioration in the handling characteristics and overload some components.
- Only make adjustments within the recommended range.
- After making adjustments, ride slowly at first to get the feel of the new ride behavior.

- Tension the spring to the amount measured during dismantling by turning the adjusting ring.

Hook wrench (T106S) (☛ p. 250)

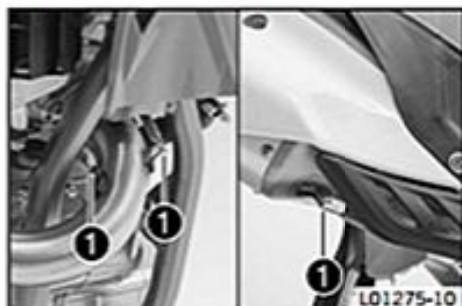
- Tighten screw ❺.

Guideline

Screw, shock absorber adjusting ring	M5	5 Nm (3.7 lbf ft)
--------------------------------------	----	-------------------



9.1 Removing the manifold



- Detach springs ❶.

Spring hooks (50305017000) (☞ p. 242)

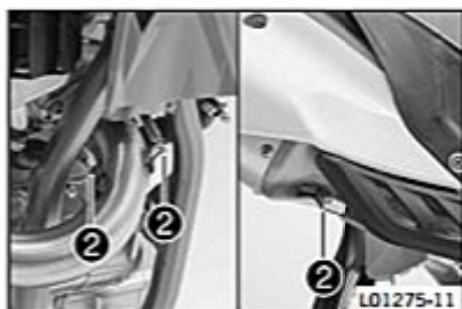


- Remove screw ❷.
- Take off manifold.

9.2 Installing the manifold



- Feed in and position the manifold.
- Mount screw ❶ but do not tighten yet.



- Attach springs ❷.

Spring hooks (50305017000) (☞ p. 242)



- Tighten screw ❶.

Guideline

Remaining screws, chassis

M8

25 Nm
(18.4 lbf ft)

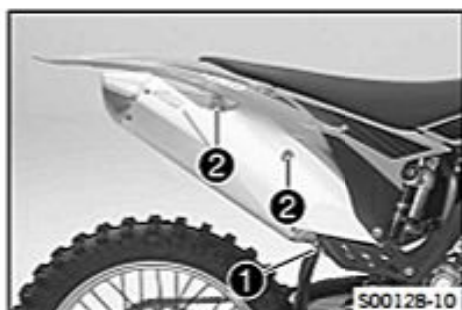
9.3 Removing the main silencer



Warning

Danger of burns The exhaust system gets very hot when the vehicle is driven.

- Allow the exhaust system to cool down. Do not touch hot components.

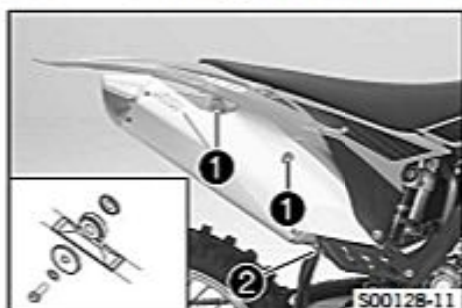


- Disconnect spring ①.

Spring hooks (50305017000) (☛ p. 242)

- Remove screws ② and take off the main silencer.

9.4 Installing the main silencer



- Position the main silencer.
- Mount screws ① but do not tighten yet.
- Reconnect spring ②.

Spring hooks (50305017000) (☛ p. 242)

- Tighten screws ①.

Guideline

Remaining screws, chassis	M6	10 Nm (7.4 lbf ft)
---------------------------	----	--------------------

9.5 Changing the glass fiber yarn filling of the main silencer



Warning

Danger of burns The exhaust system gets very hot when the vehicle is driven.

- Allow the exhaust system to cool down. Do not touch hot components.

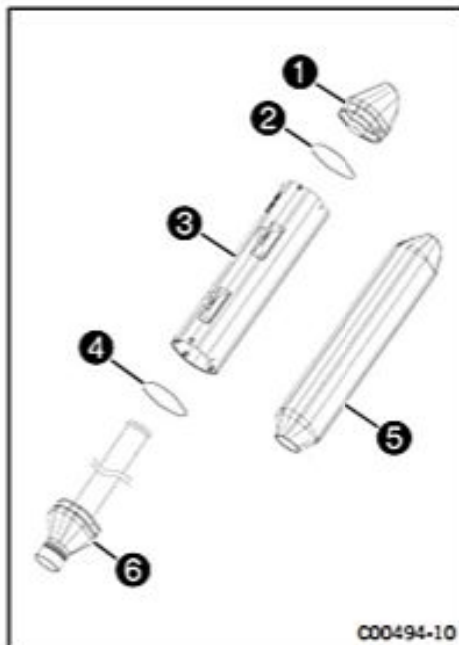


Info

Over time, the fibers of the glass fiber yarn escape and the damper "burns" out. Not only is the noise level higher, the performance characteristic changes.

Preparatory work

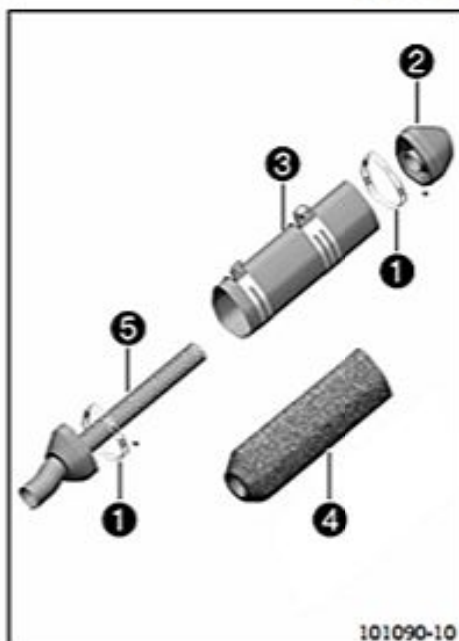
- Remove the main silencer. (☛ p. 81)



Main work

(SX-F USA, SX-F EU, XC-F)

- Remove all screws from the main silencer.
- Remove silencer cap ❶ and O-ring ❷.
- Remove outer tube ❸ and O-ring ❹.
- Pull the glass fiber yarn filling ❺ from the inner tube ❻.
- Clean the parts that are to be reinstalled.
- Mount the new glass fiber yarn filling ❺ on inner tube ❻.
- Slide O-ring ❹ and outer tube ❸ over the glass fiber yarn filling ❺.
- Insert O-ring ❷ and silencer cap ❶ into outer tube ❸.
- Mount and tighten all screws.



(SX-F Factory Edition)

- Drill out all rivets on the main silencer and remove steel strips ❶. Carefully knock the rivets inward.
- Take off silencer cap ❷ and outer tube ❸.
- Pull the glass fiber yarn filling ❹ from the inner tube ❺.
- Clean the parts that are to be reinstalled.
- Wind adhesive tape around the end of the inner tube.
- Mount the new glass fiber yarn filling ❹ on the inner tube.
- Remove the adhesive tape from the inner tube.
- Slide outer tube ❸ over the glass fiber yarn filling.
- Insert silencer cap ❷ into the outer tube.
- Position steel strips ❶ and mount the rivets.

Finishing work

- Install the main silencer. (☛ p. 81)

10.1 Removing the air filter box lid

**Condition**

The air filter box lid is secured.

- Remove screws ❶.



- Pull off the air filter box lid in area ❶ sideways and remove it toward the front.

10.2 Installing the air filter box lid



- Insert the air filter box lid into rear area ❶ and clip it into front area ❷.

**Condition**

The air filter box lid is secured.

- Mount and tighten screws ❶.

Guideline

Screw, air filter box lid	EJOT PT® K60x20-Z	3 Nm (2.2 lbf ft)
---------------------------	-----------------------------	-------------------

EJOT PT screw (0017060204)

10.3 Removing the air filter

Note

Engine failure Unfiltered intake air has a negative effect on the service life of the engine.

- Never ride the vehicle without an air filter since dust and dirt can get into the engine and result in increased wear.

**Warning**

Environmental hazard Hazardous substances cause environmental damage.

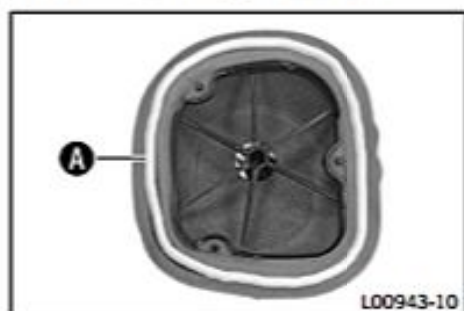
- Oil, grease, filters, fuel, cleaners, brake fluid, etc., should be disposed of as stipulated in applicable regulations.

Preparatory work

- Remove the air filter box lid. (☛ p. 83)

**Main work**

- Detach air filter holder ❶ at the bottom and swing it to one side. Remove the air filter with the air filter support.
- Remove the air filter from the air filter support.

10.4 Installing the air filter**Main work**

- Mount the clean air filter on the air filter support.
- Grease the air filter in area ❶.

Long-life grease (☞ p. 240)



- Insert both parts together, position them, and fasten them using air filter holder ❶.
- ✓ The arrow of marking UP faces upward.

**Info**

If the air filter is not mounted correctly, dust and dirt may enter the engine and cause damage.

Finishing work

- Install the air filter box lid. (☞ p. 83)

10.5 Cleaning the air filter and air filter box**Warning**

Environmental hazard Hazardous substances cause environmental damage.

- Oil, grease, filters, fuel, cleaners, brake fluid, etc., should be disposed of as stipulated in applicable regulations.

**Info**

Do not clean the air filter with fuel or petroleum since these substances attack the foam.

Preparatory work

- Remove the air filter box lid. (☞ p. 83)
- Remove the air filter. (☞ p. 83)

Main work

- Wash the air filter thoroughly in special cleaning liquid and allow it to dry properly.

Air filter cleaner (☞ p. 240)

**Info**

Only press the air filter to dry it, never wring it out.

- Oil the dry air filter with a high quality filter oil.

Oil for foam air filter (☞ p. 241)

- Clean the air filter box.

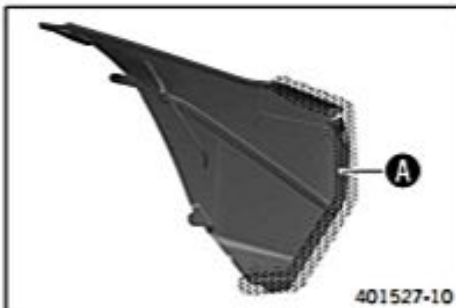


- Clean the intake flange and check it for damage and tightness.

Finishing work

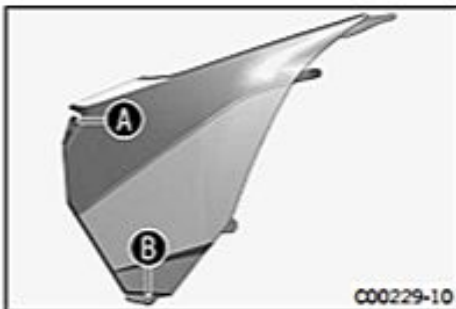
- Install the air filter. (☛ p. 84)
- Install the air filter box lid. (☛ p. 83)

10.6 Sealing the air filter box



- Seal the air filter box in marked area ❶.

10.7 Securing the air filter box lid



Preparatory work

- Remove the air filter box lid. (☛ p. 83)

Main work

- Drill a hole at markings ❶ and ❷.

Guideline

Diameter	6 mm (0.24 in)
----------	----------------

Finishing work

- Install the air filter box lid. (☛ p. 83)

11.1 Opening the filler cap

Danger
Fire hazard Fuel is highly flammable.

- Never refuel the vehicle near open flames or burning cigarettes, and always switch off the engine first. Be careful that no fuel is spilled, especially on hot vehicle components. Clean up spilled fuel immediately.
- The fuel in the fuel tank expands when warm and may emerge if overfilled. Follow the instructions on refueling.

Warning
Danger of poisoning Fuel is poisonous and a health hazard.

- Fuel must not come into contact with the skin, eyes, or clothing. Do not breathe in the fuel vapors. If contact occurs with the eyes, rinse with water immediately and contact a physician. Immediately clean contaminated areas on the skin with soap and water. If fuel is swallowed, contact a physician immediately. Change clothing that is contaminated with fuel. Store fuel properly in a suitable canister and keep away from children.

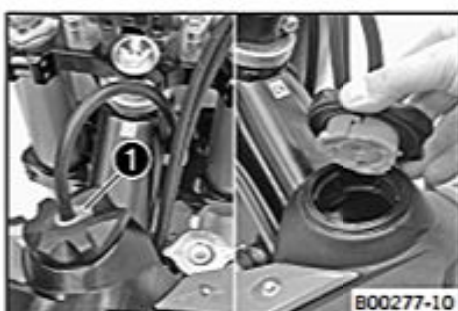
Warning
Environmental hazard Improper handling of fuel is a danger to the environment.

- Do not allow fuel to get into the ground water, the ground, or the sewage system.



(All SX-F models)

- Turn filler cap ❶ counterclockwise and lift it off.



(XC-F)

- Press release button ❶, turn the filler cap counterclockwise, and lift it free.

11.2 Closing the filler cap



(All SX-F models)

- Mount the filler cap and turn it clockwise until the fuel tank is firmly closed.



Info

Run the fuel tank breather hose ❶ without kinks.



(XC-F)

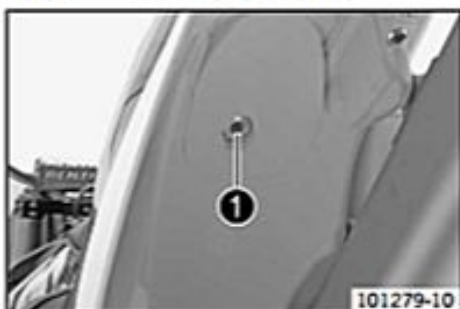
- Replace the filler cap and turn clockwise until the release button ❶ locks in place.



Info

Run the fuel tank breather hose ❷ without kinks.

11.3 Removing the seat



- Remove screw ❶.
- Lift up the seat at the rear, pull it back and then remove it from above.

11.4 Mounting the seat



- Hook in the front of the seat at the collar bushing of the fuel tank, lower it at the rear and simultaneously it push forward.
- Make sure that the seat is correctly locked in.
- Mount and tighten the screw of the seat fixing.

Guideline

Remaining screws, chassis	M6	10 Nm (7.4 lbf ft)
---------------------------	----	--------------------

11.5 Removing the fuel tank



Danger

Fire hazard Fuel is highly flammable.

- Never refuel the vehicle near open flames or burning cigarettes, and always switch off the engine first. Be careful that no fuel is spilled, especially on hot vehicle components. Clean up spilt fuel immediately.
- The fuel in the fuel tank expands when warm and may emerge if overfilled. Follow the instructions on refueling.



Warning

Danger of poisoning Fuel is poisonous and a health hazard.

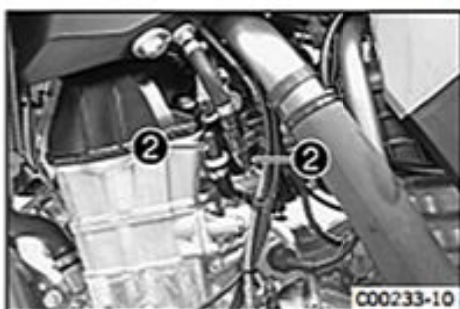
- Fuel must not come into contact with the skin, eyes, or clothing. Do not breathe in the fuel vapors. If contact occurs with the eyes, rinse with water immediately and contact a physician. Immediately clean contaminated areas on the skin with soap and water. If fuel is swallowed, contact a physician immediately. Change clothing that is contaminated with fuel. Store fuel properly in a suitable canister and keep away from children.

Preparatory work

- Remove the seat. (☞ p. 87)

Main work

- Unplug connector ❶ of the fuel pump.



- Thoroughly clean the plug-in connection of the fuel line using compressed air.

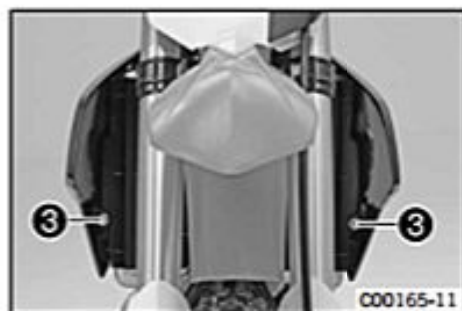


Info

Under no circumstances should dirt enter into the fuel line. Dirt in the fuel line clogs the injection valve.

- Disconnect the plug-in connection of the fuel line.
- Mount wash cap set ❷.

Wash cap set (81212016100)



- Remove the tube from the fuel tank breather.
- Remove screws ③ with the collar bushing.



- Remove screw ④ with the rubber bushing.



- Pull both spoilers off of the sides of the radiator bracket and lift off the fuel tank.

11.6 Installing the fuel tank



Danger

Fire hazard Fuel is highly flammable.

- Never refuel the vehicle near open flames or burning cigarettes, and always switch off the engine first. Be careful that no fuel is spilled, especially on hot vehicle components. Clean up spilled fuel immediately.
- The fuel in the fuel tank expands when warm and may emerge if overfilled. Follow the instructions on refueling.



Warning

Danger of poisoning Fuel is poisonous and a health hazard.

- Fuel must not come into contact with the skin, eyes, or clothing. Do not breathe in the fuel vapors. If contact occurs with the eyes, rinse with water immediately and contact a physician. Immediately clean contaminated areas on the skin with soap and water. If fuel is swallowed, contact a physician immediately. Change clothing that is contaminated with fuel.

Main work

- Check the throttle cable routing. (☛ p. 54)
- Position the fuel tank and fit the two spoilers to the sides of the radiator bracket.
- Make sure that no cables are trapped or damaged.
- Mount the fuel tank breather.
- Mount and tighten screw ① with the rubber bushing.

Guideline

Remaining screws, chassis	M6	10 Nm (7.4 lbf ft)
---------------------------	----	--------------------





- Mount and tighten screws ② with the collar bushing.

Guideline

Remaining screws, chassis	M6	10 Nm (7.4 lbf ft)
---------------------------	----	--------------------



- Connect the electrical plug-in connection ③.
- Remove the wash cap set. Thoroughly clean the plug-in connection of the fuel line using compressed air.



Info

Under no circumstances should dirt enter into the fuel line. Dirt in the fuel line clogs the injection valve.

- Lubricate the O-ring and connect plug-in connection ④ of the fuel line.



Info

Route the cable and fuel line at a safe distance from the exhaust system.

Finishing work

- Mount the seat. (↖ p. 87)

11.7 Checking the fuel pressure



Danger

Fire hazard Fuel is highly flammable.

- Never refuel the vehicle near open flames or burning cigarettes, and always switch off the engine first. Be careful that no fuel is spilled, especially on hot vehicle components. Clean up spilled fuel immediately.
- The fuel in the fuel tank expands when warm and may emerge if overfilled. Follow the instructions on refueling.



Warning

Danger of poisoning Fuel is poisonous and a health hazard.

- Fuel must not come into contact with the skin, eyes, or clothing. Do not breathe in the fuel vapors. If contact occurs with the eyes, rinse with water immediately and contact a physician. Immediately clean contaminated areas on the skin with soap and water. If fuel is swallowed, contact a physician immediately. Change clothing that is contaminated with fuel. Store fuel properly in a suitable canister and keep away from children.

Condition

The fuel tank is full.

Ensure that the battery voltage does not drop below 12.5 V.

The diagnostic tool is disconnected.

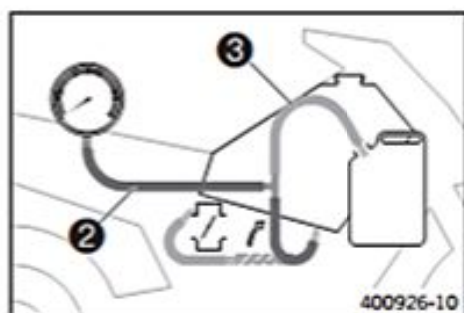
- Press on the small metal plate and disconnect fuel hose connection ①.



Info

Remaining fuel may flow out of the fuel hose.





- Mount special tool ②.

Pressure testing tool (61029094000) (☞ p. 245)
--

- Mount special tool ③ with nozzle label 0,60.

Testing hose (61029093000) (☞ p. 245)

- Position the hose end in a fuel cannister.

Guideline

Minimum size of fuel cannister	10 l (2.6 US gal)
--------------------------------	-------------------

- Connect the diagnostic tool and start it.

- Select the "Function test of fuel pump control" actuator test.

Guideline

Maximum duration of the actuator test	3 min
---------------------------------------	-------

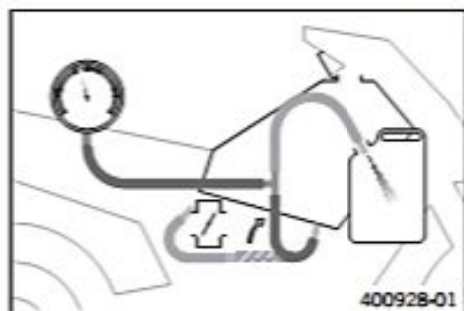
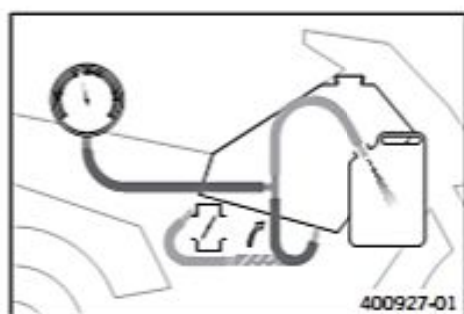
- Check the fuel pressure with the filler cap closed.

Fuel pressure

When the fuel pump is active	3.3... 3.7 bar (48... 54 psi)
------------------------------	-------------------------------

- If the specification is not reached:

- Open the filler cap. (☞ p. 86)
- Check the tank air vent system.



- Check the fuel pressure with the filler cap open.

Fuel pressure

When the fuel pump is active	3.3... 3.7 bar (48... 54 psi)
------------------------------	-------------------------------

- If the specification is not reached:

- Check that the fuel line is clear.
- Change the fuel filter. (☞ p. 92)
- Change the fuel pump. (☞ p. 90)

- Stop the "Function test of fuel pump control" actuator test by pressing the "Quit" button.

- Remove the special tools.

- Join the fuel hose connection.

11.8 Changing the fuel pump



Danger

Fire hazard Fuel is highly flammable.

- Never refuel the vehicle near open flames or burning cigarettes, and always switch off the engine first. Be careful that no fuel is spilled, especially on hot vehicle components. Clean up spilled fuel immediately.
- The fuel in the fuel tank expands when warm and may emerge if overfilled. Follow the instructions on refueling.



Warning

Danger of poisoning Fuel is poisonous and a health hazard.

- Fuel must not come into contact with the skin, eyes, or clothing. Do not breathe in the fuel vapors. If contact occurs with the eyes, rinse with water immediately and contact a physician. Immediately clean contaminated areas on the skin with soap and water. If fuel is swallowed, contact a physician immediately. Change clothing that is contaminated with fuel. Store fuel properly in a suitable canister and keep away from children.



Warning

Environmental hazard Improper handling of fuel is a danger to the environment.

- Do not allow fuel to get into the ground water, the ground, or the sewage system.

Preparatory work

- Drain the fuel from the fuel tank into a suitable container.
- Remove the seat. (☞ p. 87)
- Remove the fuel tank. (☞ p. 87)



Main work

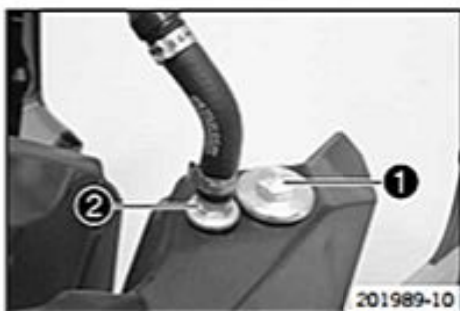
- Remove nut ❶ with the gasket.
- Remove fuel connection ❷ with the gasket.



- Remove screws ❸.



- Pull out the fuel pump.



- Position the fuel pump.
- Mount fuel connection ❷ with the gasket but do not tighten yet.
- Mount and tighten nut ❶ with the gasket.

Guideline

Nut, fuel pump fixation	M12x1.75	15 Nm (11.1 lbf ft)
-------------------------	----------	------------------------

- Tighten fuel connection ❷.

Guideline

Fuel connection on fuel tank	M8x1.25	10 Nm (7.4 lbf ft)
------------------------------	---------	--------------------

- Mount and tighten screws ❸.

Guideline

Screw, fuel pump	EJOT	3 Nm (2.2 lbf ft)
------------------	------	-------------------



Finishing work

- Install the fuel tank. (☛ p. 88)

- Mount the seat. (☛ p. 87)

11.9 Changing the fuel filter



Danger

Fire hazard Fuel is highly flammable.

- Never refuel the vehicle near open flames or burning cigarettes, and always switch off the engine first. Be careful that no fuel is spilled, especially on hot vehicle components. Clean up spilled fuel immediately.
- The fuel in the fuel tank expands when warm and may emerge if overfilled. Follow the instructions on refueling.



Warning

Danger of poisoning Fuel is poisonous and a health hazard.

- Fuel must not come into contact with the skin, eyes, or clothing. Do not breathe in the fuel vapors. If contact occurs with the eyes, rinse with water immediately and contact a physician. Immediately clean contaminated areas on the skin with soap and water. If fuel is swallowed, contact a physician immediately. Change clothing that is contaminated with fuel. Store fuel properly in a suitable canister and keep away from children.



Warning

Environmental hazard Improper handling of fuel is a danger to the environment.

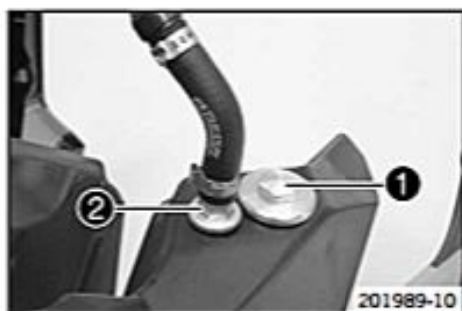
- Do not allow fuel to get into the ground water, the ground, or the sewage system.

Preparatory work

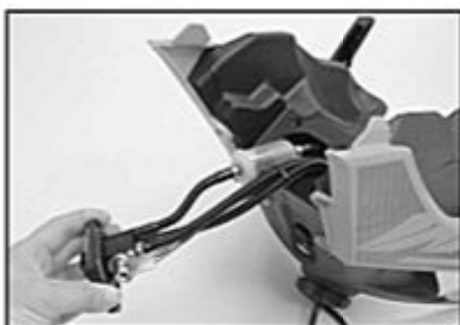
- Drain the fuel from the fuel tank into a suitable container.
- Remove the seat. (☛ p. 87)
- Remove the fuel tank. (☛ p. 87)

Main work

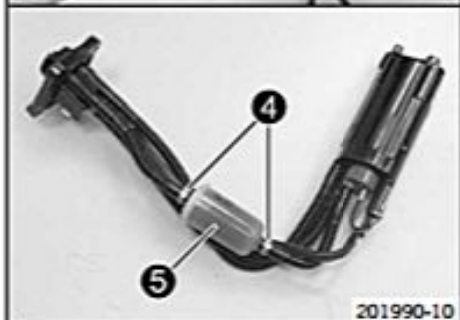
- Remove nut ❶ with the gasket.
- Remove fuel connection ❷ with the gasket.



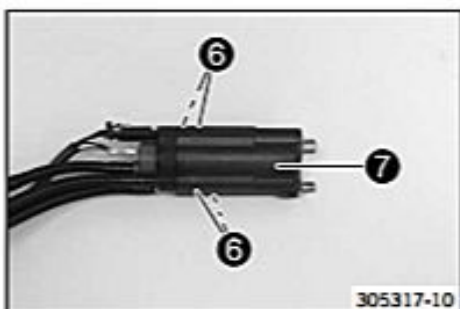
- Remove screws ❸.



- Pull out the fuel pump.
- Remove hose clamps ④.
- Remove fuel filter ⑤.

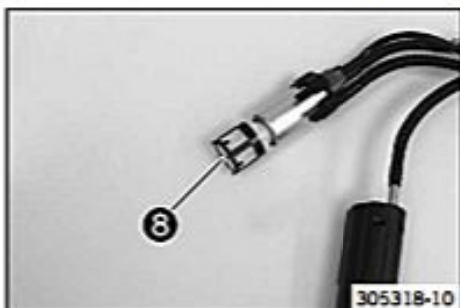


201990-10



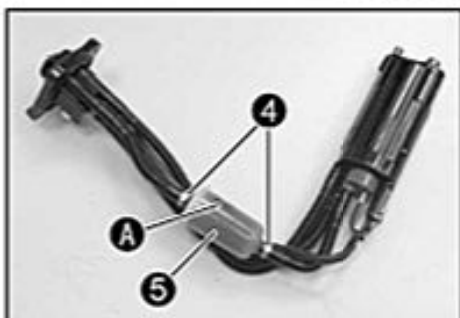
305317-10

- Press locking mechanism ⑥.
- Pull back fuel pump housing ⑦.



305318-10

- Change fuel screen ⑧.
- Mount the fuel pump housing.



- Mount fuel filter ⑤.
- ✓ Arrow ① points away from the fuel pump.
- Mount hose clamps ④.

Hose clamp pliers (60029057000) (☛ p. 245)



201990-11



- Position the fuel pump.
- Mount fuel connection ② with the gasket but do not tighten yet.
- Mount and tighten nut ① with the gasket.

Guideline

Nut, fuel pump fixation	M12x1.75	15 Nm (11.1 lbf ft)
-------------------------	----------	------------------------

- Tighten fuel connection ②.

Guideline

Fuel connection on fuel tank	M8x1.25	10 Nm (7.4 lbf ft)
------------------------------	---------	--------------------

- Mount and tighten screws ③.

Guideline

Screw, fuel pump	EJOT	3 Nm (2.2 lbf ft)
------------------	------	-------------------


Finishing work

- Install the fuel tank. (↖ p. 88)
- Mount the seat. (↖ p. 87)

11.10 Changing the fuel screen


Danger

Fire hazard Fuel is highly flammable.

- Never refuel the vehicle near open flames or burning cigarettes, and always switch off the engine first. Be careful that no fuel is spilled, especially on hot vehicle components. Clean up spilled fuel immediately.
- The fuel in the fuel tank expands when warm and may emerge if overfilled. Follow the instructions on refueling.


Warning

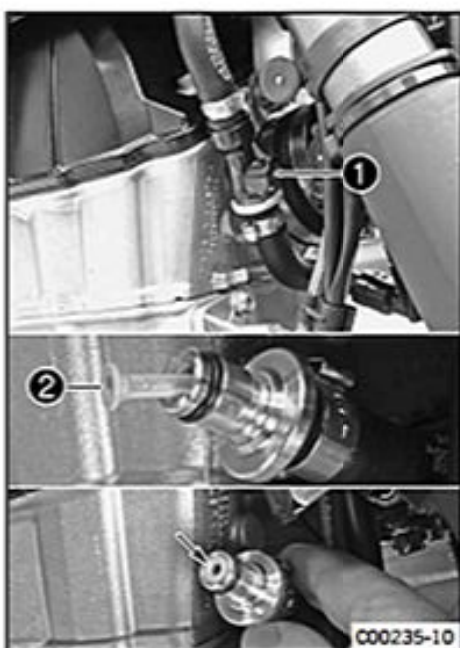
Danger of poisoning Fuel is poisonous and a health hazard.

- Fuel must not come into contact with the skin, eyes, or clothing. Do not breathe in the fuel vapors. If contact occurs with the eyes, rinse with water immediately and contact a physician. Immediately clean contaminated areas on the skin with soap and water. If fuel is swallowed, contact a physician immediately. Change clothing that is contaminated with fuel.


Warning

Environmental hazard Improper handling of fuel is a danger to the environment.

- Do not allow fuel to get into the ground water, the ground, or the sewage system.



- Thoroughly clean plug-in connection ❶ of the fuel line using compressed air.

**Info**

Under no circumstances should dirt enter into the fuel line. Dirt in the fuel line clogs the injection valve.

- Disconnect the plug-in connection of the fuel line.
- Pull fuel screen ❷ out of the connecting piece.
- Push the new fuel screen all the way into the connecting piece.
- Lubricate the O-ring and connect plug-in connection of the fuel line.

**Danger**

Danger of poisoning Exhaust gases are toxic and inhaling them may result in unconsciousness and/or death.

- When running the engine, always make sure there is sufficient ventilation, and do not start or run the engine in an enclosed space without an effective exhaust extraction system.
-
- Start the engine and check the response.

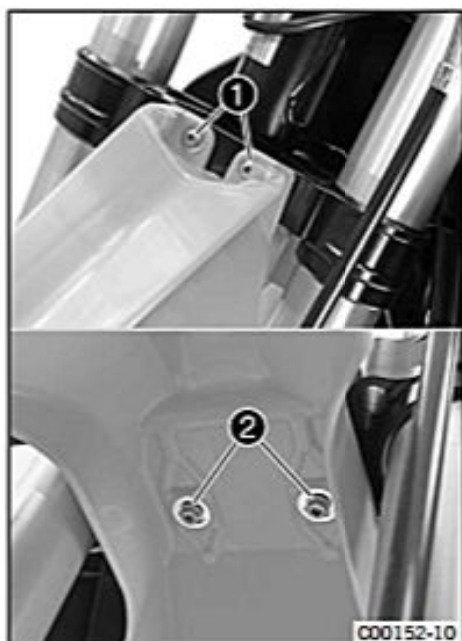
12.1 Removing the front fender

Preparatory work

- Remove the start number plate. (☛ p. 96)

Main work

- Remove screws ❶ and ❷. Remove the front fender.



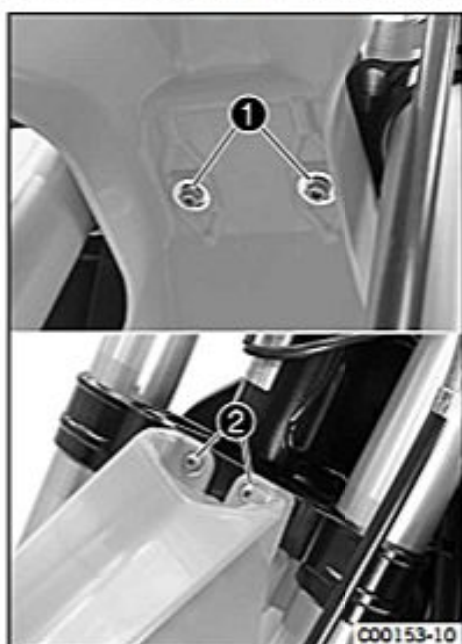
12.2 Installing the front fender

Main work

- Position the front fender. Mount and tighten screws ❶ and ❷.

Guideline

Remaining screws, chassis	M6	10 Nm (7.4 lbf ft)
---------------------------	----	--------------------



Finishing work

- Install the start number plate. (☛ p. 97)

12.3 Removing the start number plate



- Remove screw ❶ and take off the clamp.
- Remove screw ❷. Take off the start number plate.

12.4 Installing the start number plate



- Position the start number plate. Mount and tighten screw ❶.

Guideline

Remaining screws, chassis	M6	10 Nm (7.4 lbf ft)
---------------------------	----	--------------------

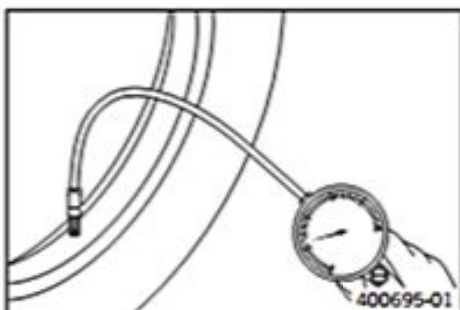
- ✓ The holding lugs engage.

- Position the brake line and clamp. Mount and tighten screw ❷.

13.1 Checking the tire air pressure

i Info

Low tire air pressure leads to abnormal wear and overheating of the tire.
Correct tire air pressure ensures optimal riding comfort and maximum tire service life.



- Remove the protection cap.
- Check the tire air pressure when the tires are cold.

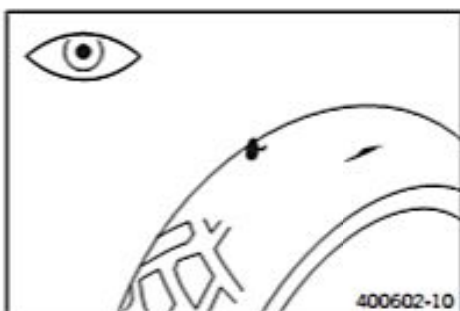
Tire air pressure off road	
Front	1.0 bar (15 psi)
Rear	1.0 bar (15 psi)

- Correct the tire pressure.
- Mount the protection cap.

13.2 Checking the tire condition

i Info

Only mount tires approved and/or recommended by KTM.
Other tires could have a negative effect on handling characteristics.
The type, condition and air pressure of the tires all have an important impact on the handling characteristics of the motorcycle.
The front and rear wheels must be mounted with tires with similar profiles.
Worn tires have a negative effect on handling characteristics, especially on wet surfaces.



- Check the front and rear tires for cuts, run-in objects and other damage.
 - Change the tire.
- Check the depth of the tread.

i Info

Note local national regulations concerning the minimum tread depth.

Minimum tread depth	≥ 2 mm (≥ 0.08 in)
---------------------	-------------------------------

- Change the tire.
- Check the tire age.

i Info

The tire's date of manufacture is usually part of the tire markings and is indicated by the last four digits of the **DOT** marking. The first two digits indicate the week of manufacture and the last two digits the year of manufacture.

KTM recommends that the tires be changed after 5 years at the latest, regardless of the actual state of wear.

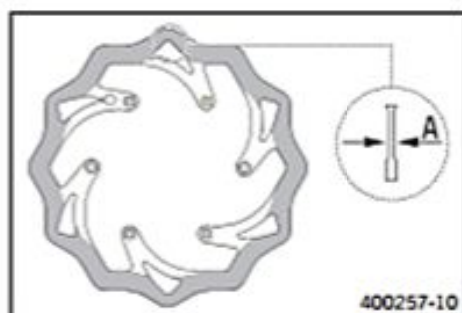
- Change the tire.


13.3 Checking the brake discs

⚠ Warning

Danger of accidents Reduced braking efficiency due to worn brake disc(s).

- Change the worn brake disc(s) without delay.



- Check the thickness of the front and rear brake discs at several places on the disk to see if it conforms to measurement .

i Info
Wear reduces the thickness of the brake disc around the area used by the brake linings.

Brake discs - wear limit

Front	2.5 mm (0.098 in)
Rear	3.5 mm (0.138 in)

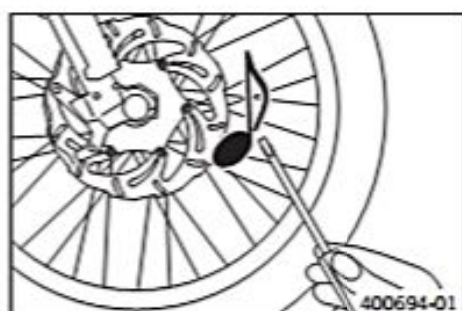
- If the brake disc thickness is less than the specified value:
 - Change the brake disc.
- Check the front and rear brake discs for damage, cracking and deformation.
 - If the brake disc shows signs of damage, cracking or deformation:
 - Change the brake disc.

13.4 Checking the spoke tension

Warning
Danger of accidents Instable handling due to incorrect spoke tension.

- Ensure that the spoke tension is correct.

i Info
A loose spoke causes wheel imbalance and rapidly leads to more loose spokes. If the spokes are too tight, they can break due to local overload. Check the spoke tension regularly, especially on a new motorcycle.



- Briefly strike each spoke with the tip of a screwdriver.

i Info
The tone frequency depends on the length of the spoke and the spoke diameter. If you hear different tone frequencies from different spokes of equal length and diameter, this is an indication of different spoke tensions.

You should hear a high note.

- If the spoke tension varies:
 - Correct the spoke tension.
- Check the spoke torque.

Guideline


Spoke nipple, front wheel	M4.5	5... 6 Nm (3.7... 4.4 lbf ft)
Spoke nipple, rear wheel	M4.5	5... 6 Nm (3.7... 4.4 lbf ft)

Torque wrench with various accessories in set (58429094000) ( p. 244)

13.5 Front wheel

13.5.1 Removing the front wheel

Preparatory work

- Raise the motorcycle with the lift stand. ( p. 10)

**Main work**

- Press the brake caliper onto the brake disc by hand in order to push back the brake pistons.

Info

Make sure when pushing back the brake pistons that you do not press the brake caliper against the spokes.



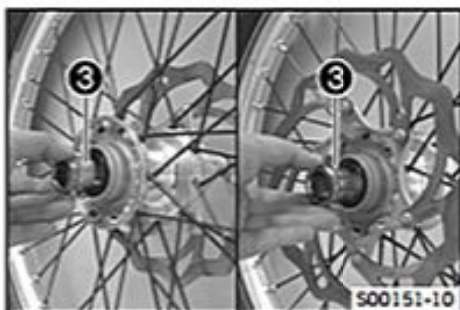
- Remove screw ❶.
- Loosen screws ❷.



- Holding the front wheel, withdraw the wheel spindle. Take the front wheel out of the fork.

Info

Do not pull the hand brake lever when the front wheel is removed. Always lay the wheel down in such a way that the brake disc is not damaged.

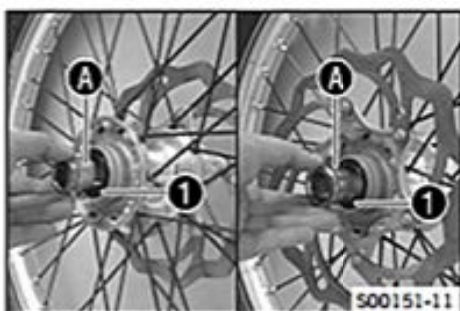


- Remove spacers ❸.

13.5.2 Installing the front wheel
Warning

Danger of accidents Reduced braking efficiency due to oil or grease on the brake discs.

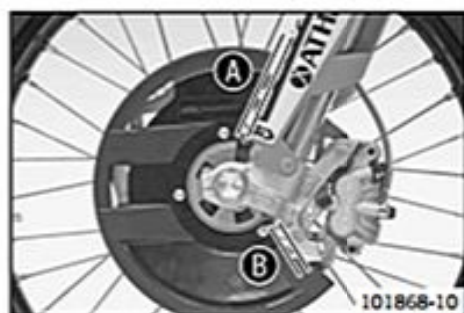
- Always keep the brake discs free of oil and grease, and clean them with brake cleaner when necessary.



- Check the wheel bearing for damage and wear.
 - If the wheel bearing is damaged or worn:
 - Change the wheel bearing.
- Clean and grease the shaft seal rings ❶ and contact surface ❷ of the spacers.

Long-life grease (☛ p. 240)

- Insert the spacers.
- Position the front wheel and insert the wheel spindle.
- ✓ The brake linings are correctly positioned.

**(SX-F Factory Edition)**

- Align the brake disc guard so that gaps **A** and **B** are the same size.



- Mount and tighten screw **2**.

Guideline

Screw, front wheel spindle	M24x1.5	45 Nm (33.2 lbf ft)
----------------------------	---------	------------------------

- Activate the hand brake lever multiple times until the brake linings are in contact with the brake disc.
- Remove the motorcycle from the lift stand. (☛ p. 10)
- Pull the front brake and compress the fork powerfully a few times.
✓ The fork legs straighten.

- Tighten screws **3**.

Guideline

Screw, fork stub	M8	15 Nm (11.1 lbf ft)
------------------	----	------------------------

13.5.3 Removing the brake disc of the front brake**Preparatory work**

- Raise the motorcycle with the lift stand. (☛ p. 10)
- Remove the front wheel. (☛ p. 99)

Main work

- Remove screws **1**. Take off the brake disc.

**13.5.4 Installing the brake disc of the front brake****Main work**

- Clean the contact surface of the brake disc.
- Position the brake disc with the label facing outward. Mount and tighten screws **1**.

Guideline

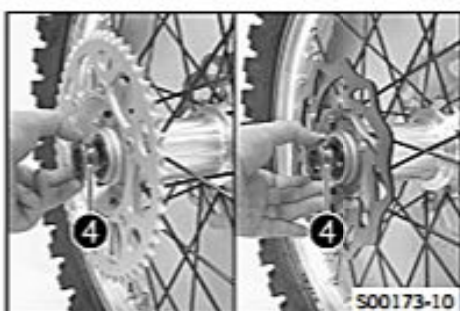
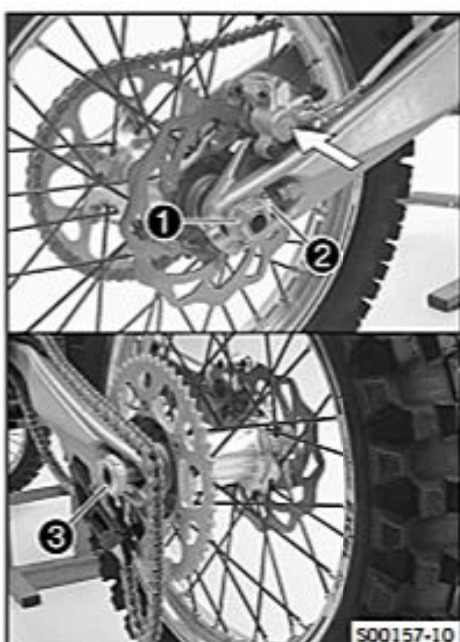
Screw, front brake disc	M6	14 Nm (10.3 lbf ft)	Loctite® 243™
-------------------------	----	------------------------	---------------

**Finishing work**

- Install the front wheel. (☛ p. 100)

13.6 Rear wheel

13.6.1 Removing the rear wheel



Preparatory work

- Raise the motorcycle with the lift stand. (☛ p. 10)

Main work

- Press the brake caliper onto the brake disc by hand in order to push back the brake piston.



Info

Make sure when pushing back the brake piston that you do not press the brake caliper against the spokes.

- Remove nut ①.
- Remove chain adjuster ②. Withdraw wheel spindle ③ only enough to allow the rear wheel to be pushed forward.
- Push the rear wheel forward as far as possible. Remove the chain from the rear sprocket.
- Holding the rear wheel, withdraw the wheel spindle. Take the rear wheel out of the swing arm.



Info

Do not operate the foot brake when the rear wheel is removed. Always lay the wheel down in such a way that the brake disc is not damaged.

- Remove spacers ④.

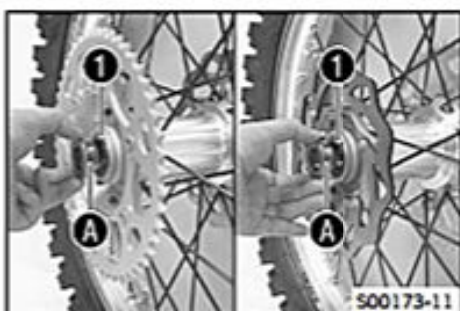
13.6.2 Installing the rear wheel



Warning

Danger of accidents Reduced braking efficiency due to oil or grease on the brake discs.

- Always keep the brake discs free of oil and grease, and clean them with brake cleaner when necessary.

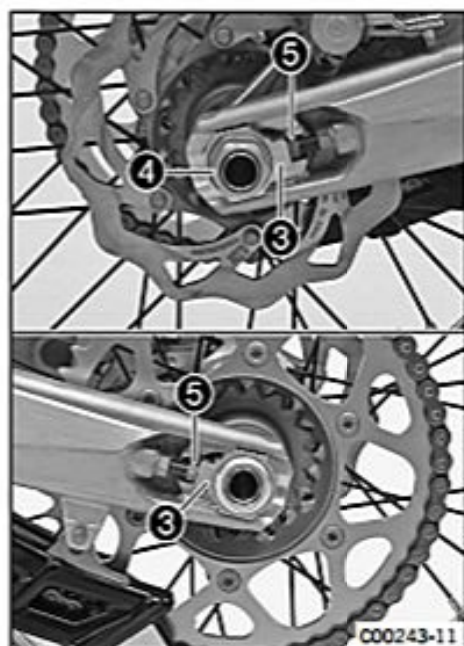


Main work

- Check the wheel bearing for damage and wear.
 - If the wheel bearing is damaged or worn:
 - Change the wheel bearing.
- Clean and grease the shaft seal rings ① and contact surface ② of the spacers.

Long-life grease (☛ p. 240)

- Insert the spacers.
- Position the rear wheel and insert wheel spindle ②.
 - ✓ The brake linings are correctly positioned.
- Put the chain on.



- Position chain adjuster ⑤. Mount nut ④, but do not tighten it yet.
- Make sure that chain adjusters ⑤ are fitted correctly on adjusting screws ③.
- Check the chain tension. (☞ p. 103)
- Tighten nut ④.

Guideline

Nut, rear wheel spindle	M25x1.5	80 Nm (59 lbf ft)
-------------------------	---------	-------------------

Info

The wide adjustment range of the chain adjusters (32 mm (1.18 in)) enables different secondary ratios with the same chain length. Chain adjusters ⑤ can be turned by 180°.

- Operate the foot brake lever repeatedly until the brake linings are in contact with the brake disc and there is a pressure point.

Finishing work

- Remove the motorcycle from the lift stand. (☞ p. 10)

13.6.3 Removing the brake disc of the rear brake

Preparatory work

- Raise the motorcycle with the lift stand. (☞ p. 10)
- Remove the rear wheel. (☞ p. 102)

Main work

- Remove screws ①. Take off the brake disc.



13.6.4 Installing the brake disc of the rear brake

- Clean the contact surface of the brake disc.
- Position the brake disc with the label facing outward. Mount and tighten screws ①.

Guideline

Screw, rear brake disc	M6	14 Nm (10.3 lbf ft)	Loctite® 243™
------------------------	----	------------------------	---------------

- Install the rear wheel. (☞ p. 102)



13.6.5 Checking the chain tension

Warning

Danger of accidents Danger caused by incorrect chain tension.

- If the chain is too taut, the components of the secondary power transmission (chain, engine sprocket, rear sprocket, bearings in the transmission and in the rear wheel) will be under additional load. In addition to premature wear, this can cause the chain or the countershaft of the transmission to break in extreme cases. If the chain is too loose, however, it may fall off the engine sprocket or rear sprocket and block the rear wheel or damage the engine. Ensure that the chain tension is correct and adjust it if necessary.

Preparatory work

- Raise the motorcycle with the lift stand. (☞ p. 10)

**Main work**

- Push the chain at the end of the chain sliding component upwards to measure the chain tension ❶.

**Info**

The lower chain section ❶ must be taut. Chain wear is not always even, so you should repeat this measurement at different chain positions.

Chain tension	55... 58 mm (2.17... 2.28 in)
---------------	-------------------------------

- If the chain tension does not meet specifications:
 - Adjust the chain tension. (☛ p. 104)

Finishing work

- Remove the motorcycle from the lift stand. (☛ p. 10)

13.6.6 Adjusting the chain tension**Warning**

Danger of accidents Danger caused by incorrect chain tension.

- If the chain is too taut, the components of the secondary power transmission (chain, engine sprocket, rear sprocket, bearings in the transmission and in the rear wheel) will be under additional load. In addition to premature wear, this can cause the chain or the countershaft of the transmission to break in extreme cases. If the chain is too loose, however, it may fall off the engine sprocket or rear sprocket and block the rear wheel or damage the engine. Ensure that the chain tension is correct and adjust it if necessary.

Preparatory work

- Raise the motorcycle with the lift stand. (☛ p. 10)
- Check the chain tension. (☛ p. 103)

Main work

- Loosen nut ❶.
- Loosen nuts ❷.
- Adjust the chain tension by turning adjusting screws ❸ left and right.

Guideline

Chain tension	55... 58 mm (2.17... 2.28 in)
Turn adjusting screws ❸ on the left and right so that the markings on the left and right chain adjusters are in the same position relative to the reference marks ❹. The rear wheel is then correctly aligned.	

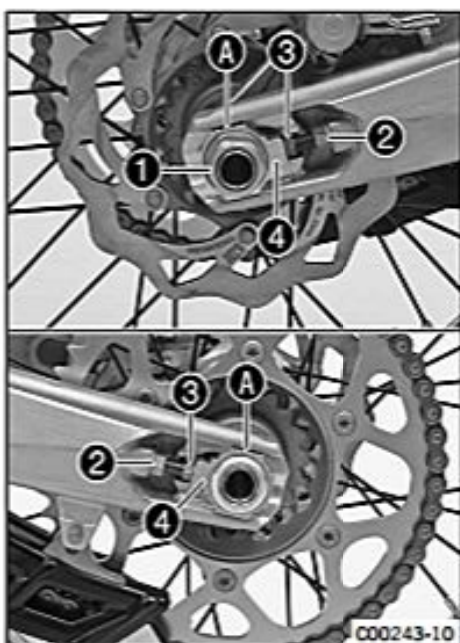
- Tighten nuts ❷.
- Make sure that chain adjusters ❹ are fitted correctly on adjusting screws ❸.
- Tighten nut ❶.

Guideline

Nut, rear wheel spindle	M25x1.5	80 Nm (59 lbf ft)
-------------------------	---------	-------------------

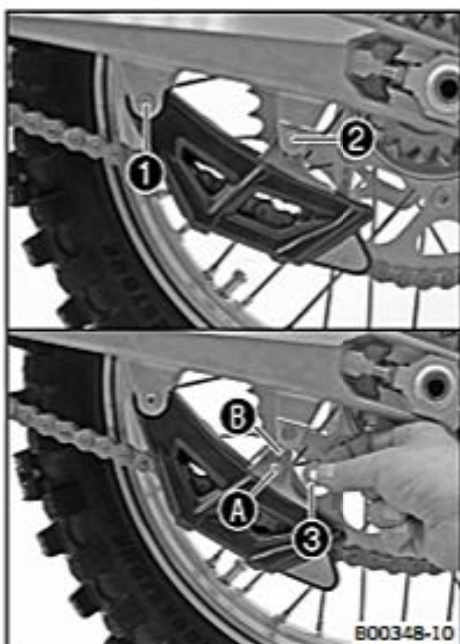
**Info**

The wide adjustment range of the chain adjusters (32 mm (1.18 in)) enables different secondary ratios with the same chain length. Chain adjusters ❸ can be turned by 180°.

**Finishing work**

- Remove the motorcycle from the lift stand. (☛ p. 10)

13.6.7 Adjusting the chain guide



- Loosen screw ❶. Remove screw ❷. Swing the chain guide down.

Condition

Number of teeth: ≤ 44 teeth

- Insert collar bushing ❸ into drill hole ❸. Position the chain guide.
- Mount and tighten screw ❷. Tighten screw ❶.

Guideline

Remaining screws, chassis	M6	10 Nm (7.4 lbf ft)
---------------------------	----	-----------------------

Condition

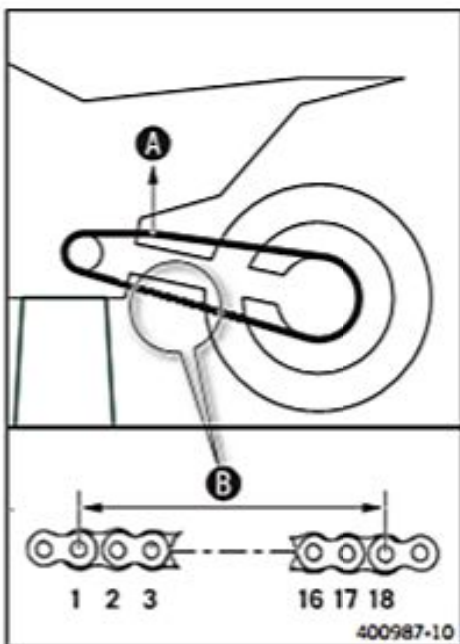
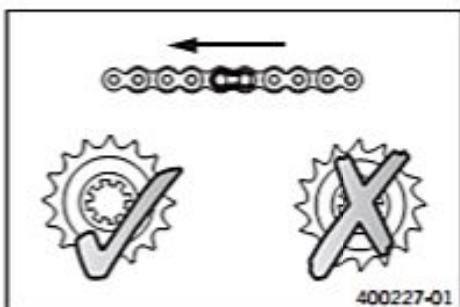
Number of teeth: ≥ 45 teeth

- Insert collar bushing ❸ into drill hole ❸. Position the chain guide.
- Mount and tighten screw ❷. Tighten screw ❶.

Guideline

Remaining screws, chassis	M6	10 Nm (7.4 lbf ft)
---------------------------	----	-----------------------

13.6.8 Checking the chain, rear sprocket, engine sprocket and chain guide



Preparatory work

- Raise the motorcycle with the lift stand. (☛ p. 10)

Main work

- Shift gear to neutral.
- Check the rear sprocket and engine sprocket for wear.
 - » If the rear sprocket and engine sprocket are worn:
 - Change the power set.



Info

The engine sprocket, rear sprocket and chain should always be replaced together.

- Pull on the upper part of the chain with the specified weight ❶.

Guideline

Weight, chain wear measurement	10... 15 kg (22... 33 lb.)
--------------------------------	----------------------------

- Measure the distance ❷ of 18 chain links in the lower chain section.



Info

Chain wear is not always even, so you should repeat this measurement at different chain positions.

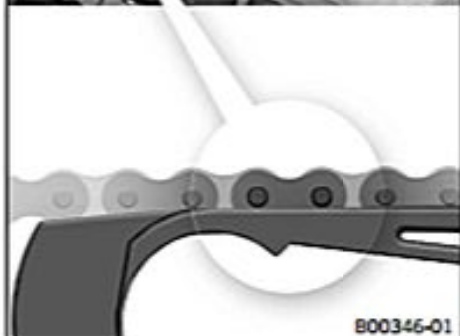
Maximum distance ❷ at the longest chain section	272 mm (10.71 in)
---	-------------------

- » If the distance ❷ is greater than the specified measurement:
 - Change the power set.



Info

When the chain is replaced, the rear sprocket and engine sprocket should also be changed.
New chains wear out faster on old, worn sprockets.



B00346-01

- Check the chain sliding guard for wear.
 - If the bottom edge of the chain bolt is in line with or below the chain sliding guard:
 - Change the chain sliding guard.
- Check that the chain sliding guard is firmly seated.
 - If the chain sliding guard is loose:
 - Tighten the chain sliding guard.

Guideline

Screw, chain sliding guard	M6	6 Nm (4.4 lbf ft)	Loctite® 243™
----------------------------	----	----------------------	---------------

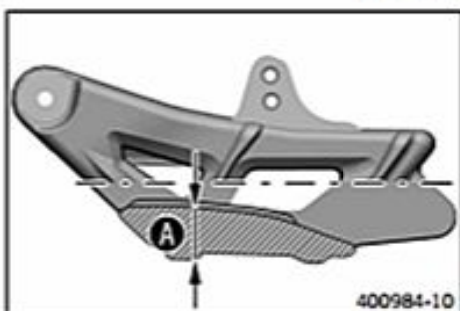


B00345-01

- Check the chain sliding piece for wear.
 - If the bottom edge of the chain bolt is in line with or below the chain sliding piece:
 - Change the chain sliding piece.
- Check that the chain sliding piece is firmly seated.
 - If the chain sliding piece is loose:
 - Tighten the chain sliding piece.

Guideline

Screw, chain sliding piece	M8	15 Nm (11.1 lbf ft)
----------------------------	----	------------------------

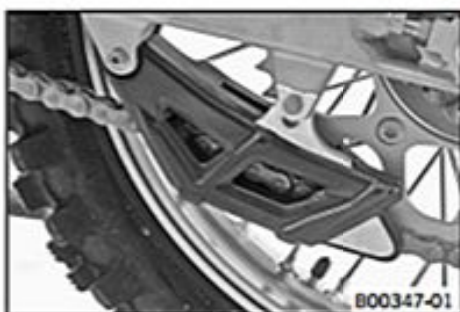


400984-10

- Measure material thickness **A** at the bottom of the chain guide.

Minimum distance A at the lowest point	12 mm (0.47 in)
---	-----------------

- If distance **A** is less than the specified measurement:
 - Change the chain guide.



B00347-01

- Check that the chain guide is firmly seated.
 - If the chain guide is loose:
 - Tighten the chain guide.

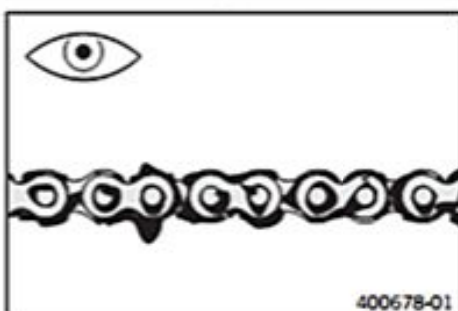
Guideline

Remaining screws, chassis	M6	10 Nm (7.4 lbf ft)
---------------------------	----	-----------------------

Finishing work

- Remove the motorcycle from the lift stand. (☛ p. 10)

13.6.9 Checking for chain dirt accumulation



- Check the chain for coarse dirt accumulation.
 - If the chain is very dirty:
 - Clean the chain. (☞ p. 107)

13.6.10 Cleaning the chain

**Warning**

Danger of accidents Oil or grease on the tires reduces their grip.

- Remove oil and grease with a suitable cleaning material.

**Warning**

Danger of accidents Reduced braking efficiency due to oil or grease on the brake discs.

- Always keep the brake discs free of oil and grease, and clean them with brake cleaner when necessary.

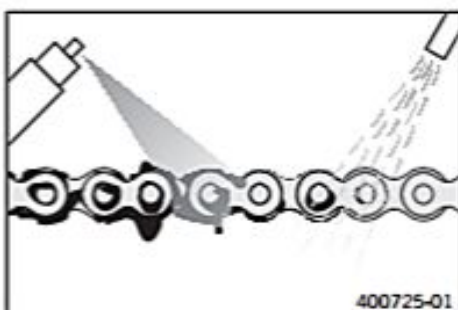
**Warning**

Environmental hazard Hazardous substances cause environmental damage.

- Oil, grease, filters, fuel, cleaners, brake fluid, etc., should be disposed of as stipulated in applicable regulations.

**Info**

The service life of the chain depends largely on its maintenance.



- Clean the chain regularly and then treat with chain spray.

Chain cleaner (☞ p. 240)

Off-road chain spray (☞ p. 241)

14.1 Changing the main fuse

**Warning**

Fire hazard The electrical system can be overloaded if the wrong fuses are used.

- Use only fuses with the prescribed amperage. Never by-pass or repair fuses.

**Info**

The main fuse protects all power consumers of the vehicle. It is located in the starter relay housing under the air filter box lid.

Preparatory work

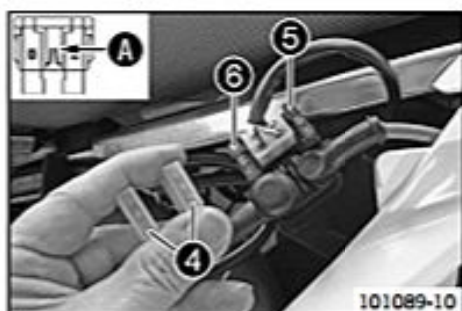
- Switch off all power consumers and switch off the engine.
- Remove the air filter box lid. (☞ p. 83)

Main work

- Remove screw ❶.



- Lift rear fairing ❷ slightly and pull starter relay ❸ out of the holder.



- Remove protection caps ❹.
- Remove the faulty main fuse ❺.

**Info**

A defective fuse can be identified by the burned-out fuse wire ❹. A reserve fuse ❻ is located in the starter relay.

- Install a new main fuse.

Fuse (58011109110) (☞ p. 216)

- Check that the electrical equipment is functioning properly.

**Tip**

Insert the spare fuse so that it is available if needed.

- Mount the protection caps.
- Mount the starter relay onto the holder and lay the cable.
- Position the rear fairing. Mount and tighten the screw.

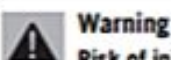
Guideline

Remaining screws, chassis	M6	10 Nm (7.4 lbf ft)
---------------------------	----	--------------------

Finishing work

- Install the air filter box lid. (☞ p. 83)

14.2 Removing the battery



Warning

Risk of injury Battery acid and battery gases cause serious chemical burns.

- Keep batteries out of the reach of children.
- Wear suitable protective clothing and goggles.
- Avoid contact with battery acid and battery gases.
- Keep sparks and open flames away from the battery. Only charge in well-ventilated rooms.
- In the event of skin contact, rinse with large amounts of water. If battery acid gets in the eyes, rinse with water for at least 15 minutes and contact a physician.

Preparatory work

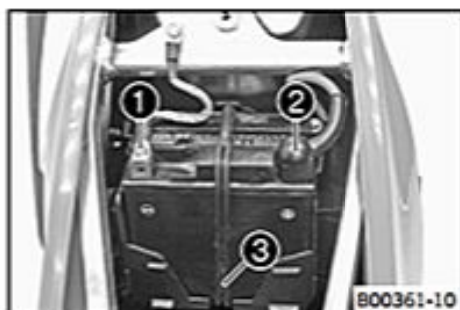
- Switch off all power consumers and switch off the engine.
- Remove the seat. (☛ p. 87)

(SX-F Factory Edition)

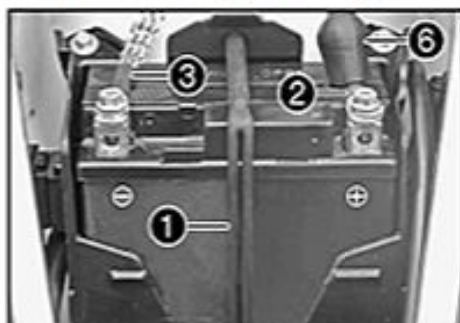
- Set the service hour counter aside.

Main work

- Disconnect negative cable ❶ of the battery.
- Pull back the positive terminal cover ❷ and disconnect the positive (plus) cable of the battery.
- Detach rubber band ❸ at the bottom.
- Lift the battery up and out.



14.3 Installing the battery



Main work

- Insert the battery into the battery compartment with the terminals facing to the front.

(All SX-F models)

Battery (YTX4L-BS) (☛ p. 216)

(XC-F)

Battery (YTX5L-BS) (☛ p. 216)

- Reconnect rubber band ❶.
- Connect positive cable ❷ and negative cable ❸.

Guideline

Screw, battery terminal	M5	2.5 Nm (1.84 lbf ft)
-------------------------	----	-------------------------



Info

Contact disks ❺ must be mounted between screws ❹ and cable sockets ❸ with the claws facing down.

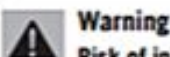
- Slide positive terminal cover ❹ over the positive terminal.

Finishing work

(SX-F Factory Edition)

- Place the service hour counter behind the rubber band.
- Mount the seat. (☛ p. 87)

14.4 Charging the battery

**Warning**

Risk of injury Battery acid and battery gases cause serious chemical burns.

- Keep batteries out of the reach of children.
- Wear suitable protective clothing and goggles.
- Avoid contact with battery acid and battery gases.
- Keep sparks and open flames away from the battery. Only charge in well-ventilated rooms.
- In the event of skin contact, rinse with large amounts of water. If battery acid gets in the eyes, rinse with water for at least 15 minutes and contact a physician.

**Warning**

Environmental hazard The battery contains elements that are harmful to the environment.

- Do not discard batteries with the household waste. Dispose of faulty batteries in an environmentally compatible manner. Give the battery to your authorized KTM dealer or dispose of it at a collection point for used batteries.

**Warning**

Environmental hazard Hazardous substances cause environmental damage.

- Oil, grease, filters, fuel, cleaners, brake fluid, etc., should be disposed of as stipulated in applicable regulations.

**Info**

Even when there is no load on the battery, it still loses power steadily.

The charging level and the method of charging are very important for the service life of the battery.

Rapid recharging with a high charging current shortens the battery's service life.

If the charging current, charging voltage and charging time are exceeded, electrolyte escapes through the safety valves. This reduces the battery capacity.

If the battery is depleted from starting the vehicle repeatedly, the battery must be charged immediately.

If the battery is left in a discharged state for an extended period, it will become over-discharged and sulfate, destroying the battery.

The battery is maintenance-free, which means that the acid level does not need to be checked.

**Preparatory work**

- Switch off all power consumers and switch off the engine.
- Remove the seat. (☛ p. 87)
- Disconnect the negative cable of the battery to avoid damage to the onboard electronics.

Main work

- Connect the battery charger to the battery. Switch on the battery charger.

Battery charger (58429074000)

You can also use the battery charger to test the open-circuit voltage and starting voltage of the battery, and to test the alternator. With this device, you cannot over-charge the battery.

**Info**

Never remove lid ❶.

Charge the battery with a maximum of 10% of the capacity specified on the battery housing ❷.

- Switch off the battery charger after charging. Disconnect the battery.

Guideline

The charge current, charge voltage and charge time must not be exceeded.

Charge the battery regularly when the motorcycle is not in use	3 months
--	----------

Finishing work

- Mount the seat. (☛ p. 87)

14.5 Checking the charging voltage



Condition

The battery must be fully functional and completely charged.

Preparatory work

- Remove the seat. (☛ p. 87)

Main work

- Pull back the positive terminal cover.
- Start the motorcycle for a check. (☛ p. 11)
- **V** Measure the voltage between the specified points.
Measuring point **Plus (+)** – Measuring point **Ground (-)**

Charging voltage

5,000 rpm	13.5... 15.0 V
-----------	----------------

- If the displayed value is less than the specified value:
 - Check the plug-in connections from the alternator to the voltage regulator.
 - Check the plug-in connections from the voltage regulator to the wiring harness.
 - Check the stator winding of the alternator. (☛ p. 209)
- If the displayed value is greater than the specified value:
 - Change the voltage regulator.

14.6 Checking the quiescent current



Preparatory work

- Switch off all power consumers and switch off the engine.
- Remove the seat. (☛ p. 87)

Main work

- Disconnect the negative cable from the battery.
- Measure the current between battery ground (-) and the negative cable.



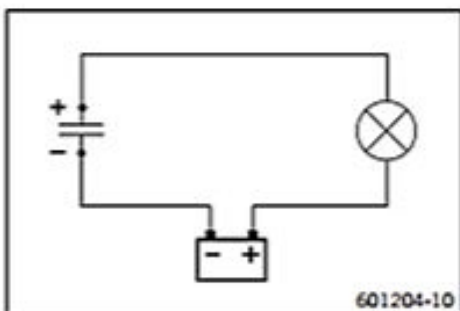
Info

The value of the quiescent current applies only to vehicles in the original state, i.e. without additional power consumers.

Maximum quiescent current	< 1.0 mA
---------------------------	----------

- If the measured value is higher than the specified value:
 - Disconnect the voltage regulator from the wiring harness and perform the measurement again.
 - Check the capacitor. (☛ p. 111)

14.7 Checking the capacitor



Condition

The battery is disconnected.

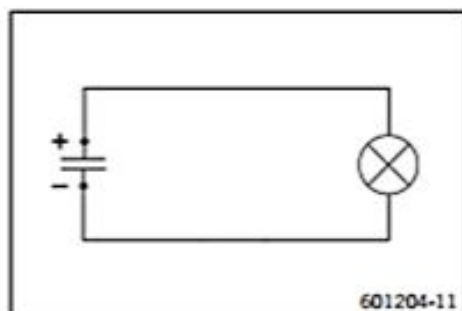
- Remove the capacitor.
- Discharge the capacitor by bridging the two contacts.
- Connect the capacitor with a 12 V test lamp on one connector and connect it to the battery as shown in the figure.



Info

As the charge of the capacitor increases, the test lamp becomes dimmer.

- The lamp lights up for: 0.5... 2.0 s
The capacitor is functional.
- The lamp lights up for: < 0.5 s
Change the capacitor.
- The lamp lights up for: > 2.0 s
Change the capacitor.



- Discharge the capacitor with a 12 V test lamp as shown in the figure.

i Info

As the charge of the capacitor decreases, the test lamp becomes dimmer.

- The lamp lights up for: 0.5... 2.0 s
The capacitor is functional.
 - The lamp lights up for: < 0.5 s
Change the capacitor.
 - The lamp lights up for: > 2.0 s
Change the capacitor.
- Install the capacitor.

14.8 Checking the starter relay

Preparatory work

- Switch off all power consumers and switch off the engine.
- Remove the seat. (☛ p. 87)
- Remove the air filter box lid. (☛ p. 83)

Main work

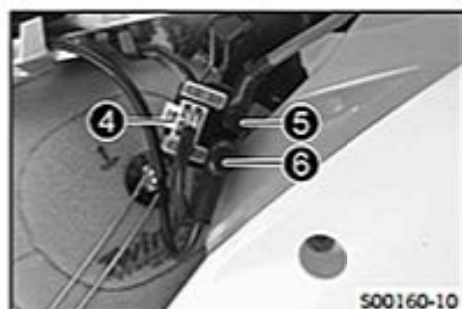
- Remove screw ❶.



- Lift rear fairing ❷ slightly and pull starter relay ❸ out of the holder.

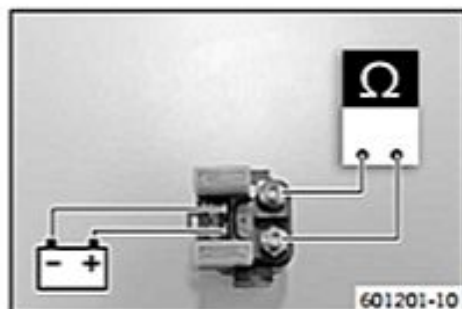


- Disconnect the negative cable of the battery.
- Pull off connector ❹.
- Pull back covers ❺ and ❻.



- Disconnect cables ❼ and ❽ on the starter relay.

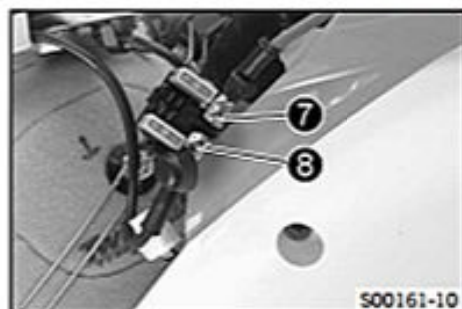




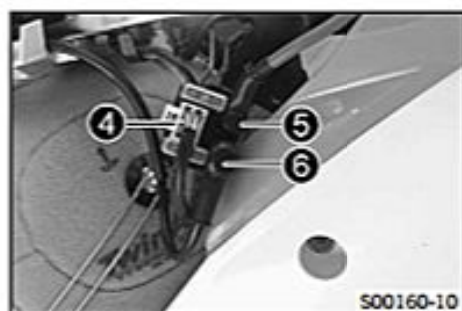
- Connect the starter relay to a 12 V power supply as shown.
- Measure the resistance between the specified points.

Resistance of open circuit	0 Ω
----------------------------	-----

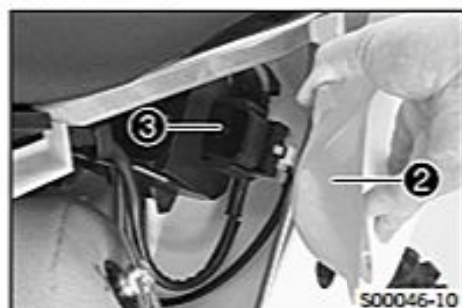
- If the value displayed does not meet specifications:
 - Change the starter relay.



- Connect cables 7 and 8 to the starter relay.



- Slide covers 5 and 6 over the cables on the starter relay.
- Pull off connector 4.
- Disconnect the negative cable of the battery.



- Mount starter relay 3 on the holder 2 and route the cable.



- Position the rear fairing. Mount and tighten screw 1.

Guideline

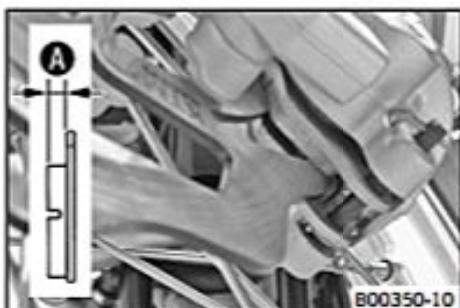
Remaining screws, chassis	M6	10 Nm (7.4 lbf ft)
---------------------------	----	--------------------

Finishing work

- Install the air filter box lid. (☛ p. 83)
- Mount the seat. (☛ p. 87)

15.1 Checking the front brake linings

- Warning**
Danger of accidents Reduced braking efficiency caused by worn brake linings.
- Change worn brake linings immediately.



- Check the brake linings for minimum thickness ❶.

Minimum thickness ❶	≥ 1 mm (≥ 0.04 in)
---------------------	--------------------

- If the minimum thickness is less than specified:
 - Change the front brake linings. (↖ p. 114)
- Check the brake linings for damage and cracking.
 - If damage or cracking is visible:
 - Change the front brake linings. (↖ p. 114)

15.2 Changing the front brake linings

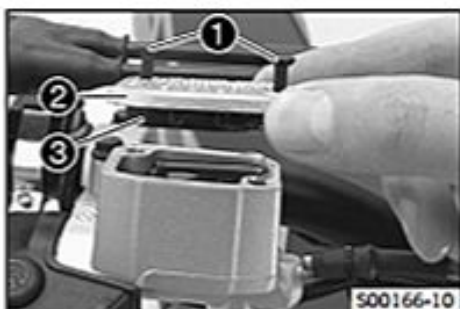
- Warning**
Danger of accident Brake system failure.
- Maintenance work and repairs must be carried out professionally.

- Warning**
Skin irritation Brake fluid can cause skin irritation on contact.
- Avoid contact with skin and eyes, and keep out of the reach of children.
 - Wear suitable protective clothing and goggles.
 - If brake fluid comes into contact with the eyes, flush the eyes thoroughly with water and consult a physician immediately.

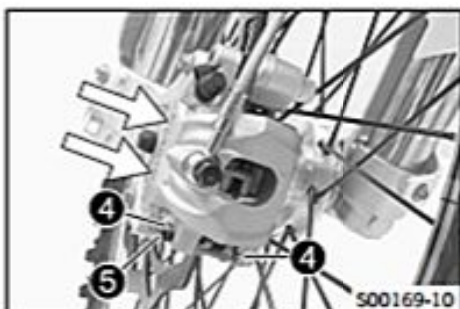
- Warning**
Danger of accidents Reduced braking efficiency due to old brake fluid.
- Change the brake fluid of the front and rear brake according to the service schedule.

- Warning**
Environmental hazard Hazardous substances cause environmental damage.
- Oil, grease, filters, fuel, cleaners, brake fluid, etc., should be disposed of as stipulated in applicable regulations.

- i Info**
 Never use DOT 5 brake fluid! It is silicone-based and purple in color. Oil seals and brake lines are not designed for DOT 5 brake fluid.
 Avoid contact between brake fluid and painted parts. Brake fluid attacks paint!
 Use only clean brake fluid from a sealed container.



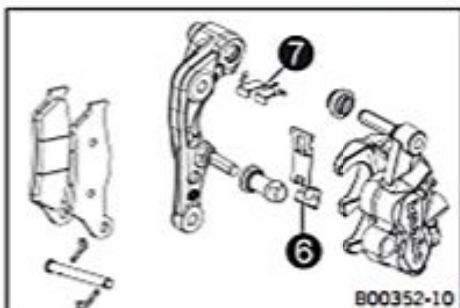
- Move the brake fluid reservoir mounted on the handlebar to a horizontal position.
- Remove screws ❶.
- Remove cover ❷ with membrane ❸.



- Manually press the brake caliper to the brake disc to push back the brake pistons. Ensure that brake fluid does not flow out of the brake fluid reservoir, extracting it by suction if it does.


Info

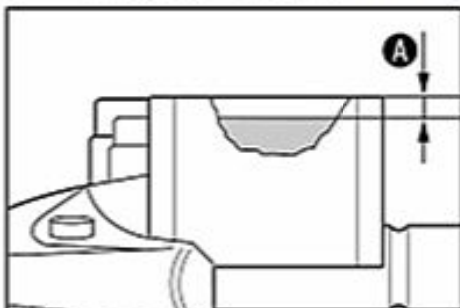
Make sure when pushing back the brake pistons that you do not press the brake caliper against the spokes.



- Remove cotter pins ④, pull out pin ⑤, and remove the brake linings.
- Clean the brake caliper and brake caliper support.
- Check that leaf spring ⑥ in the brake caliper and sliding plate ⑦ in the brake caliper support are seated correctly.



- Insert the brake linings, insert pin ⑤, and mount cotter pins ④.
- Operate the hand brake lever repeatedly until the brake linings are in contact with the brake disc and there is a pressure point.



- Add brake fluid to level ①.

Guideline

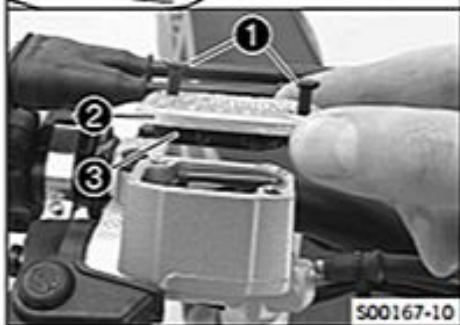
Dimension ① (brake fluid level below top edge of container)	5 mm (0.2 in)
---	---------------

Brake fluid DOT 4 / DOT 5.1 (☞ p. 238)
--

- Position cover ② with membrane ③.
- Mount and tighten screws ①.


Info

Clean up overflowed or spilled brake fluid immediately with water.



15.3 Checking the free travel of the hand brake lever


Warning

Danger of accidents Brake system failure.

- If there is no free travel on the hand brake lever, pressure builds up on the front brake circuit. The front brake can fail due to overheating. Adjust the free travel on hand brake lever according to specifications.



- Push the hand brake lever forward and check free travel **A**.

Free travel of hand brake lever	$\geq 3 \text{ mm}$ ($\geq 0.12 \text{ in}$)
---------------------------------	--

- If the free travel does not meet specifications:
 - Adjust the basic position of the hand brake lever. (☛ p. 116)

15.4 Adjusting the basic position of the hand brake lever



Preparatory work

- Check the free travel of the hand brake lever. (☛ p. 115)

Main work

- Adjust the basic setting of the hand brake lever to your hand size by turning adjusting screw **1**.

i Info

Turn the adjusting screw clockwise to increase the distance between the hand brake lever and the handlebar.
Turn the adjusting screw counterclockwise to decrease the distance between the hand brake lever and the handlebar.
The range of adjustment is limited.
Turn the adjusting screw by hand only, and do not apply any force.
Do not make any adjustments while riding!

15.5 Checking the front brake fluid level

! Warning

Danger of accidents Failure of the brake system.

- If the brake fluid level falls below the MIN mark, this indicates a leakage in the brake system or worn-out brake linings. Check the brake system and do not continue riding.

! Warning

Danger of accidents Reduced braking efficiency due to old brake fluid.

- Change the brake fluid of the front and rear brake according to the service schedule.



Preparatory work

- Check the front brake linings. (☛ p. 114)

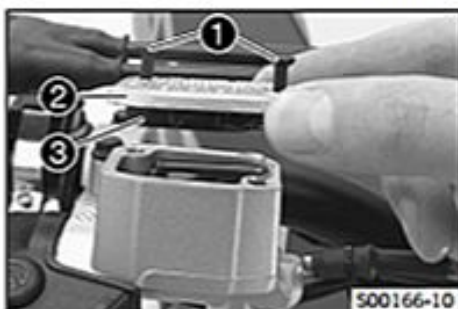
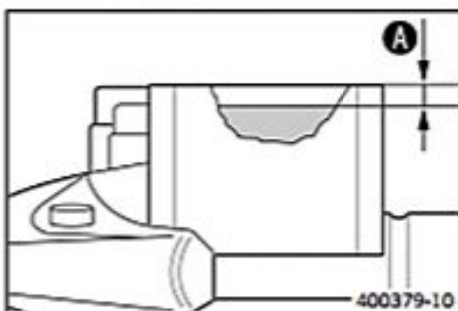
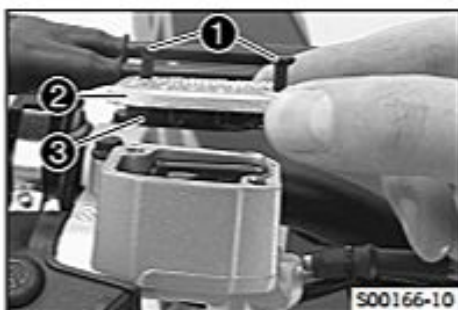
Main work

- Move the brake fluid reservoir mounted on the handlebar to a horizontal position.
- Check the brake fluid level in the viewer **1**.
 - If the brake fluid is below the MIN marking:
 - Add front brake fluid. (☛ p. 117)

15.6 Adding front brake fluid

- Warning**
Danger of accidents Failure of the brake system.
- If the brake fluid level falls below the **MIN** mark, this indicates a leakage in the brake system or worn-out brake linings. Check the brake system and do not continue riding.
- Warning**
Skin irritation Brake fluid can cause skin irritation on contact.
- Avoid contact with skin and eyes, and keep out of the reach of children.
 - Wear suitable protective clothing and goggles.
 - If brake fluid comes into contact with the eyes, flush the eyes thoroughly with water and consult a physician immediately.
- Warning**
Danger of accidents Reduced braking efficiency due to old brake fluid.
- Change the brake fluid of the front and rear brake according to the service schedule.
- Warning**
Environmental hazard Hazardous substances cause environmental damage.
- Oil, grease, filters, fuel, cleaners, brake fluid, etc., should be disposed of as stipulated in applicable regulations.

- i Info**
 Never use DOT 5 brake fluid! It is silicone-based and purple in color. Oil seals and brake lines are not designed for DOT 5 brake fluid.
 Avoid contact between brake fluid and painted parts. Brake fluid attacks paint!
 Use only clean brake fluid from a sealed container.

**Preparatory work**

- Check the front brake linings. (↔ p. 114)

Main work

- Move the brake fluid reservoir mounted on the handlebar to a horizontal position.
- Remove screws ❶.
- Remove cover ❷ with membrane ❸.

- Add brake fluid to level ❹.

Guideline

Dimension ❹ (brake fluid level below top edge of container)	5 mm (0.2 in)
---	---------------

Brake fluid DOT 4 / DOT 5.1 (↔ p. 238)
--

- Position cover ❷ with membrane ❸. Mount and tighten screws ❶.

- i Info**
 Clean up overflowed or spilt brake fluid immediately with water.

15.7 Changing the front brake fluid

**Warning****Skin irritation** Brake fluid can cause skin irritation on contact.

- Avoid contact with skin and eyes, and keep out of the reach of children.
- Wear suitable protective clothing and goggles.
- If brake fluid comes into contact with the eyes, flush the eyes thoroughly with water and consult a physician immediately.

**Warning****Environmental hazard** Hazardous substances cause environmental damage.

- Oil, grease, filters, fuel, cleaners, brake fluid, etc., should be disposed of as stipulated in applicable regulations.

**Info**

Never use DOT 5 brake fluid! It is silicone-based and purple in color. Oil seals and brake lines are not designed for DOT 5 brake fluid.

Avoid contact between brake fluid and painted parts. Brake fluid attacks paint!

Use only clean brake fluid from a sealed container.



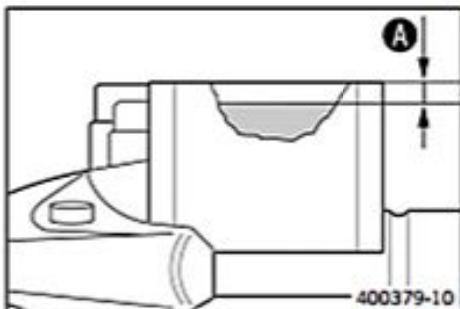
- Move the brake fluid reservoir mounted on the handlebar to a horizontal position.
- Remove screws ❶.
- Remove cover ❷ with membrane ❸.
- Draw the old brake fluid out of the brake fluid reservoir using a syringe and fill with fresh brake fluid.

Bleed syringe (50329050000) (☞ p. 243)
--

Brake fluid DOT 4 / DOT 5.1 (☞ p. 238)
--



- Pull off dust cap ❹ and connect a commercially available suction device (standard workshop equipment).
- Release bleeder screw ❺ and draw out the old brake fluid.
- During suction, always ensure that the brake fluid reservoir is filled with a sufficient amount of new brake fluid.
- Tighten the bleeder screw. Remove the suction device and mount the dust cap.



- Add brake fluid to level ❶.

Guideline

Dimension ❶ (brake fluid level below top edge of container)	5 mm (0.2 in)
---	---------------

Brake fluid DOT 4 / DOT 5.1 (☞ p. 238)
--

- Position the cover with the membrane. Mount and tighten the screws.
- Activate the hand brake lever until there is a firm pressure point.

**Info**

Clean up overflowed or spilt brake fluid immediately with water.

15.8 Checking the rear brake linings

**Warning****Danger of accidents** Reduced braking efficiency caused by worn brake linings.

- Change worn brake linings immediately.



- Check the brake linings for minimum thickness ❶.

Minimum thickness ❶	≥ 1 mm (≥ 0.04 in)
---------------------	--------------------

- If the minimum thickness is less than specified:
 - Change the rear brake linings. (☛ p. 119)
- Check the brake linings for damage and cracking.
 - If damage or cracking is visible:
 - Change the rear brake linings. (☛ p. 119)

15.9 Changing the rear brake linings

**Warning****Danger of accident** Brake system failure.

- Maintenance work and repairs must be carried out professionally.

**Warning****Skin irritation** Brake fluid can cause skin irritation on contact.

- Avoid contact with skin and eyes, and keep out of the reach of children.
- Wear suitable protective clothing and goggles.
- If brake fluid comes into contact with the eyes, flush the eyes thoroughly with water and consult a physician immediately.

**Warning****Danger of accidents** Reduced braking efficiency due to old brake fluid.

- Change the brake fluid of the front and rear brake according to the service schedule.

**Warning****Environmental hazard** Hazardous substances cause environmental damage.

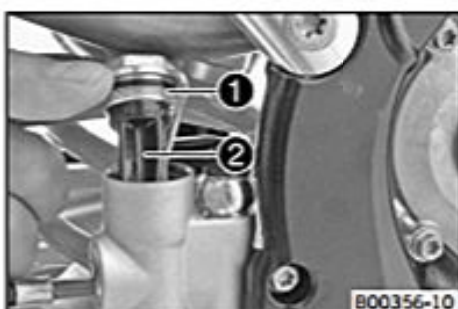
- Oil, grease, filters, fuel, cleaners, brake fluid, etc., should be disposed of as stipulated in applicable regulations.

**Info**

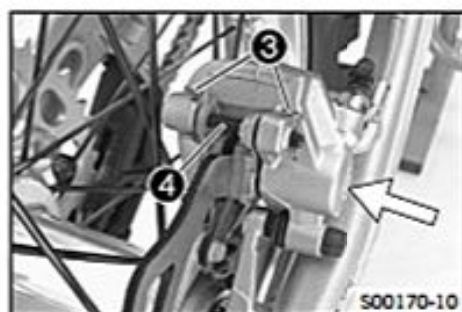
Never use DOT 5 brake fluid! It is silicone-based and purple in color. Oil seals and brake lines are not designed for DOT 5 brake fluid.

Avoid contact between brake fluid and painted parts. Brake fluid attacks paint!

Use only clean brake fluid from a sealed container.



- Stand the vehicle upright.
- Remove screw cap ❶ with membrane ❷ and the O-ring.



S00170-10

- Manually press the brake caliper to the brake disc to push back the brake piston. Ensure that brake fluid does not flow out of the brake fluid reservoir, extracting it by suction if it does.

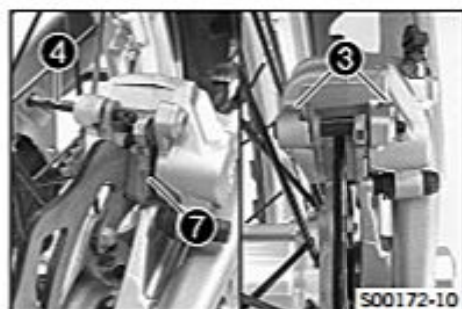
i Info
Make sure when pushing back the brake piston that you do not press the brake caliper against the spokes.



S00171-10

- Remove cotter pins ④, pull out pin ⑤, and remove the brake linings.
- Clean the brake caliper and brake caliper support.
- Check that leaf spring ⑤ in the brake caliper and sliding plate ⑥ in the brake caliper support are seated correctly.

i Info
The arrow on the leaf spring points in the rotation direction of the brake disc.

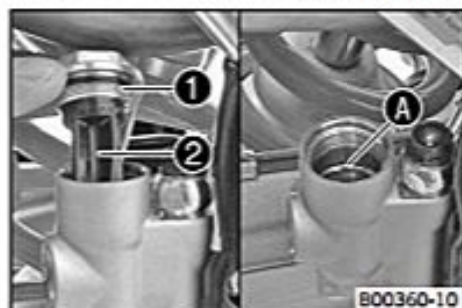


S00172-10

- Insert the brake linings, insert pin ④, and mount cotter pins ③.

i Info
Make sure that the decoupling plate ⑦ is mounted on the piston side of the brake lining.

- Operate the foot brake lever repeatedly until the brake linings are in contact with the brake disc and there is a pressure point.



B00360-10

- Add brake fluid to level ③.

Brake fluid DOT 4 / DOT 5.1 (☞ p. 238)
--

- Mount and tighten screw cap ① with membrane ② and the O-ring.

i Info
Clean up overflowed or spilt brake fluid immediately with water.

15.10 Checking the free travel of foot brake lever

Warning
Danger of accidents Brake system failure.

- If there is no free travel on the foot brake lever, pressure builds up on the rear brake circuit. The rear brake can fail due to overheating. Adjust the free travel on foot brake lever according to specifications.



C00161-10

- Disconnect spring ①.
- Move the foot brake lever back and forth between the end stop and the contact to the foot brake cylinder piston and check free travel ②.

Guideline

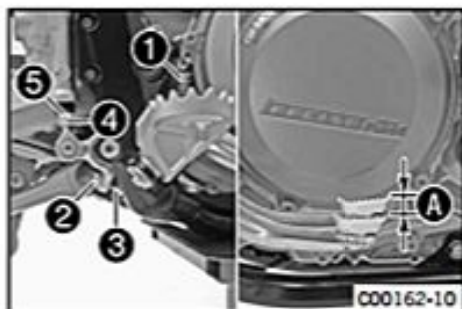
Free travel at foot brake lever	3... 5 mm (0.12... 0.2 in)
---------------------------------	----------------------------

- If the free travel does not meet specifications:
 - Adjust the basic position of the foot brake lever. (☞ p. 121)
- Reconnect spring ①.

15.11 Adjusting the basic position of the foot brake lever

Warning
Danger of accidents Brake system failure.

- If there is no free travel on the foot brake lever, pressure builds up on the rear brake circuit. The rear brake can fail due to overheating. Adjust the free travel on foot brake lever according to specifications.



- Disconnect spring ❶.
- Loosen nut ❷ and, with push rod ❸, turn it back until you have maximum free travel.
- To adjust the basic position of the foot brake lever individually, loosen nut ❹ and turn screw ❺ accordingly.

Info
 The range of adjustment is limited.

- Turn push rod ❸ accordingly until you have free travel ❶. If necessary, adjust the basic position of the foot brake lever.

Guideline

Free travel at foot brake lever	3... 5 mm (0.12... 0.2 in)
---------------------------------	----------------------------

- Hold screw ❺ and tighten nut ❷.

Guideline

Nut, foot brake lever stop	M8	20 Nm (14.8 lbf ft)
----------------------------	----	---------------------

- Hold push rod ❸ and tighten nut ❹.

Guideline

Remaining nuts, chassis	M6	10 Nm (7.4 lbf ft)
-------------------------	----	--------------------

- Reconnect spring ❶.

15.12 Checking the rear brake fluid level

Warning
Danger of accidents Brake system failure.

- If the brake fluid level drops below the specified marking or the specified value, this is an indication that the brake system is leaking or that the brake linings are completely worn down. Check the brake system and do not continue riding.

Warning
Danger of accidents Reduced braking efficiency due to old brake fluid.

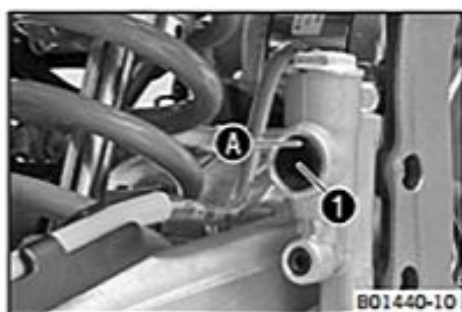
- Change the brake fluid of the front and rear brake according to the service schedule.

Preparatory work

- Check the rear brake linings. (☞ p. 119)

Main work

- Stand the vehicle upright.
- Check the brake fluid level in the viewer ❶.
 - If the brake fluid level drops below marking ❷:
 - Add rear brake fluid. (☞ p. 122)



15.13 Adding rear brake fluid

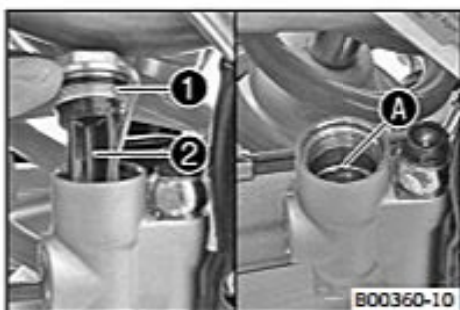
- Warning**
Danger of accidents Brake system failure.
- If the brake fluid level drops below the specified marking or the specified value, this is an indication that the brake system is leaking or that the brake linings are completely worn down. Check the brake system and do not continue riding.

- Warning**
Skin irritation Brake fluid can cause skin irritation on contact.
- Avoid contact with skin and eyes, and keep out of the reach of children.
 - Wear suitable protective clothing and goggles.
 - If brake fluid comes into contact with the eyes, flush the eyes thoroughly with water and consult a physician immediately.

- Warning**
Danger of accidents Reduced braking efficiency due to old brake fluid.
- Change the brake fluid of the front and rear brake according to the service schedule.

- Warning**
Environmental hazard Hazardous substances cause environmental damage.
- Oil, grease, filters, fuel, cleaners, brake fluid, etc., should be disposed of as stipulated in applicable regulations.

- i Info**
 Never use DOT 5 brake fluid! It is silicone-based and purple in color. Oil seals and brake lines are not designed for DOT 5 brake fluid.
 Avoid contact between brake fluid and painted parts. Brake fluid attacks paint!
 Use only clean brake fluid from a sealed container.

**Preparatory work**

- Check the rear brake linings. (↖ p. 119)

Main work

- Stand the vehicle upright.
- Remove screw cap ① with membrane ② and the O-ring.
- Add brake fluid to level ③.

Brake fluid DOT 4 / DOT 5.1 (↖ p. 238)

- Mount and tighten the screw cap with the membrane and O-ring.

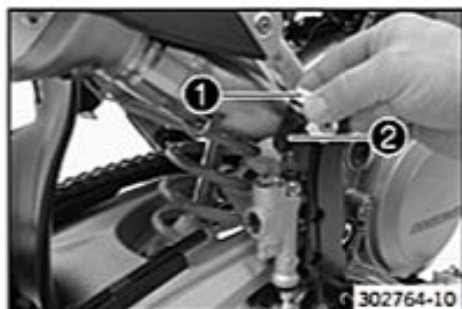
- i Info**
 Clean up overflowed or spilt brake fluid immediately with water.

15.14 Changing the rear brake fluid

- Warning**
Skin irritation Brake fluid can cause skin irritation on contact.
- Avoid contact with skin and eyes, and keep out of the reach of children.
 - Wear suitable protective clothing and goggles.
 - If brake fluid comes into contact with the eyes, flush the eyes thoroughly with water and consult a physician immediately.

- Warning**
Environmental hazard Hazardous substances cause environmental damage.
- Oil, grease, filters, fuel, cleaners, brake fluid, etc., should be disposed of as stipulated in applicable regulations.

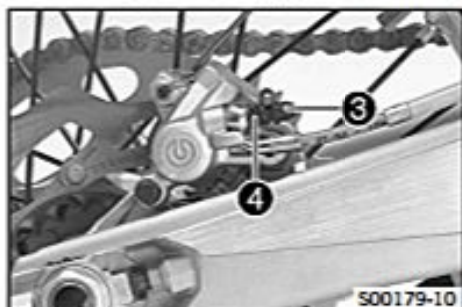
- i Info**
 Never use DOT 5 brake fluid! It is silicone-based and purple in color. Oil seals and brake lines are not designed for DOT 5 brake fluid.
 Avoid contact between brake fluid and painted parts. Brake fluid attacks paint!
 Use only clean brake fluid from a sealed container.



- Stand the vehicle upright.
- Remove screw cap ❶ with membrane ❷ and the O-ring.
- Draw the old brake fluid out of the brake fluid reservoir using a syringe and fill with fresh brake fluid.

Bleed syringe (50329050000) (☛ p. 243)
--

Brake fluid DOT 4 / DOT 5.1 (☛ p. 238)
--



- Pull off dust cap ❸ and connect a conventional suction device (workshop equipment).
- Loosen bleeder screw ❹ and extract the old brake fluid.

**Info**

During suction, always ensure that the reservoir is filled with a sufficient amount of new brake fluid.

- Tighten the bleeder screw. Remove the suction device and mount the dust cap.



- Add brake fluid to level ❺.

Brake fluid DOT 4 / DOT 5.1 (☛ p. 238)
--

- Mount the screw cap with the membrane and the O-ring.
- Activate the foot brake lever until a firm pressure point is achieved.

**Info**

Clean up overflowed or spilt brake fluid immediately with water.

16.1 Removing the engine

Preparatory work

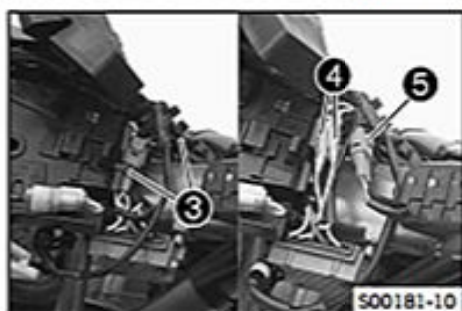
- Raise the motorcycle with the lift stand. (☞ p. 10)
- Drain the coolant. (☞ p. 202)
- Remove the seat. (☞ p. 87)
- Remove the fuel tank. (☞ p. 87)
- Remove the main silencer. (☞ p. 81)

Main work

- Disconnect negative cable ❶ of the battery.



- Pull the EFI control unit ❷ from the holder and hang it to one side.



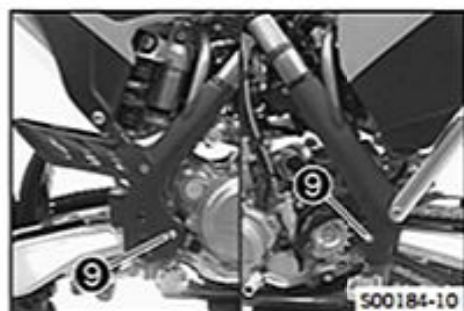
- Remove cable binders ❸.
- Disconnect plug ❹.
- Disconnect plug ❺.



- Loosen hose clip ❻.



- Remove screws ❷.
- Take off intake air temperature sensor ❸ and hang to the side.



- Remove the cable binders of the frame protector on the left and right.
- Remove screws 9.
- Remove the frame protector on the left and right.

**Info**

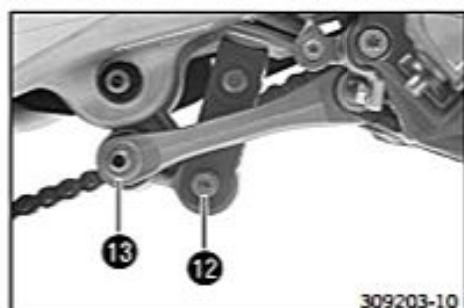
Pay attention to the holding lugs.



- Remove screw 10.
- Loosen screw 10.
- Repeat the operation on the opposite side.
- Swing up the subframe and secure it.



- Remove screw 11.
- Remove fitting 11.

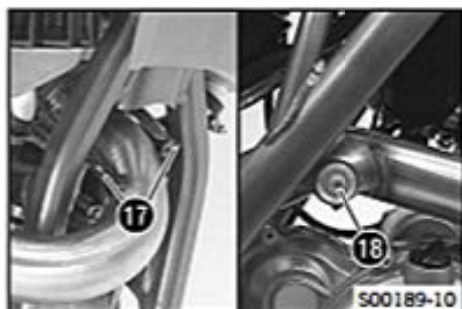


- Press angle lever 14 toward the rear.
- Press linkage lever 15 downward.



- Remove screw 16.
- Carefully remove the shock absorber upward out of the vehicle.





- Remove springs ①.

Spring hooks (50305017000) (☞ p. 242)

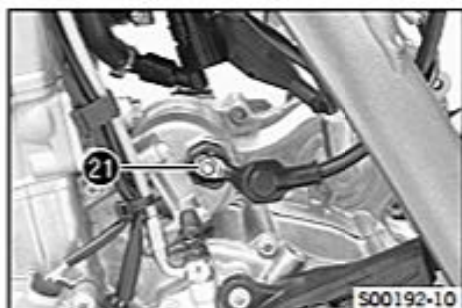
- Remove screw ②.
- Take off the exhaust manifold.



- Loosen hose clips ③.
- Remove the radiator hoses.



- Loosen hose clip ④.
- Remove the radiator hose.



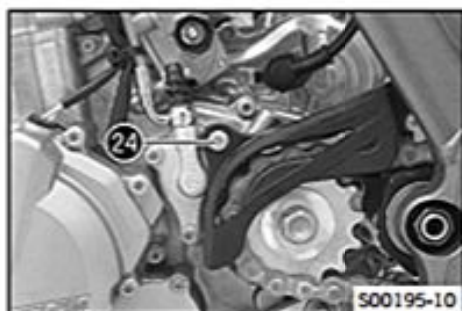
- Pull back the protection cap.
- Remove nut ⑤.



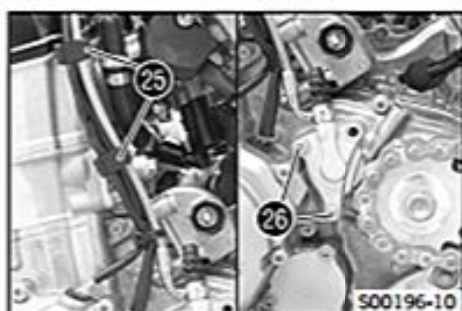
- Pull off spark plug connector ⑥.



- Remove screw ⑦.



- Remove screw 24.
- Take off the engine sprocket cover.



- Remove cable guides 25.
- Remove the cable binder.
- Remove screws 26.
- Take off the clutch slave cylinder and hang it to the side.

**Info**

Do not kink the clutch line.
Do not activate the clutch lever if the clutch slave cylinder has been removed.



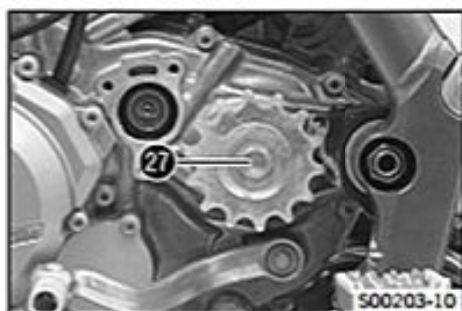
- Activate the foot brake lever.
- Loosen screw 27.

**Info**

You should have an assistant for this step.



- Remove connecting link 28 of the chain.
- Take off the chain.



- Remove screw 27.
- Take off the engine sprocket.



- Remove screw 29.
- Take off the shift lever.



- Pull back the protection cap.
- Detach connector ①.



- Loosen hose clip ①.
- Pull the throttle valve body rearward off of the cylinder head and hang it to the side.



- Remove spring ①.



- Remove the fittings of engine braces ①.
- Remove the engine braces.



- Loosen hose clip ①.
- Pull off the engine breather hose on the engine case.



- Remove nut ①.
- Remove the swingarm pivot.
- Pull the swingarm slightly toward the rear.



- Remove screws ❸.



- Lift out the engine from the side.



Info

You should have an assistant for this step. Make sure that the motorcycle is sufficiently secured against falling over. Protect the frame and attachments from damage.

16.2 Installing the engine



Main work

- Position the engine in the frame.



Info

You should have an assistant for this step. Make sure that the motorcycle is sufficiently secured against falling over. Protect the frame and attachments from damage.



- Mount screws ❶ but do not tighten yet.

Guideline

Engine carrying screw	M10	60 Nm (44.3 lbf ft)
-----------------------	-----	------------------------



- Position the swingarm.
- Mount the swingarm pivot.
- Mount and tighten nut ❷.

Guideline

Nut, swingarm pivot	M16x1.5	100 Nm (73.8 lbf ft)
---------------------	---------	-------------------------

- Tighten screws ❶.

Guideline

Engine carrying screw	M10	60 Nm (44.3 lbf ft)
-----------------------	-----	------------------------



- Mount the engine breather hose and position hose clip ④.



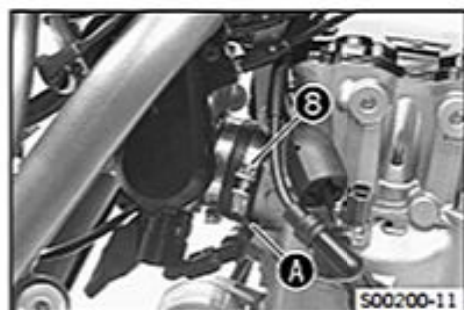
- Position the engine braces.
- Mount and tighten screws ⑤ with nuts ⑥.

Guideline

Screw, engine brace	M8	33 Nm (24.3 lbf ft)
---------------------	----	------------------------



- Mount spring ⑦.



- Position the throttle valve body.
- Tighten hose clip ⑧.
- ✓ Holding lugs ⑨ engage in the cylinder head.



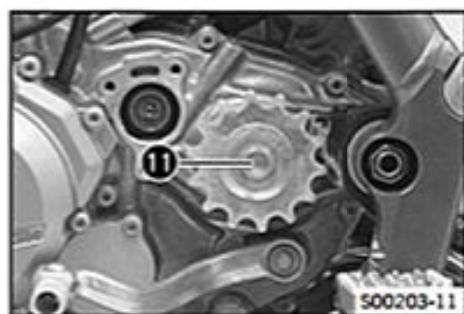
- Plug in connector ⑨.
- Mount the protection cap.



- Position the shift lever.
- Mount and tighten screw ⑩ with the washer.

Guideline

Screw, shift lever	M6	14 Nm (10.3 lbf ft)	Loctite® 243™
--------------------	----	------------------------	---------------



- Mount the engine sprocket with the collar facing the engine.
- Mount screw 11 with washer but do not tighten it yet.

Guideline

Screw, engine sprocket	M10	60 Nm (44.3 lbf ft)	Loctite® 2701™
------------------------	-----	------------------------	----------------



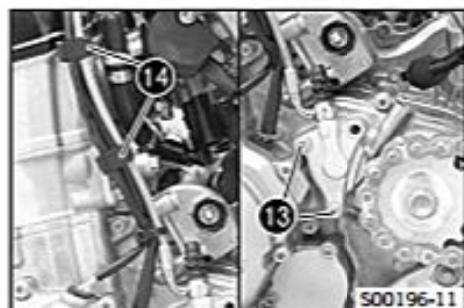
- Mount the chain.
- Connect the chain with connecting link 12.



- Activate the foot brake lever.
- Tighten screw 11.

Guideline

Screw, engine sprocket	M10	60 Nm (44.3 lbf ft)	Loctite® 2701™
------------------------	-----	------------------------	----------------

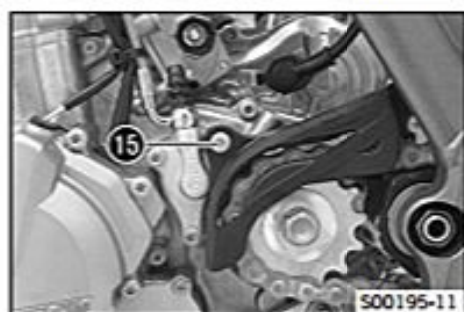


- Position the clutch slave cylinder with the gasket.
- Mount and tighten screws 13.

Guideline

Screw, clutch slave cylinder	M6	10 Nm (7.4 lbf ft)	
------------------------------	----	--------------------	--

- Position and attach the clutch line and wiring harness with cable guides 14.
- Secure the cable with a cable binder.



- Position the engine sprocket cover.
- Mount and tighten screw 15.

Guideline

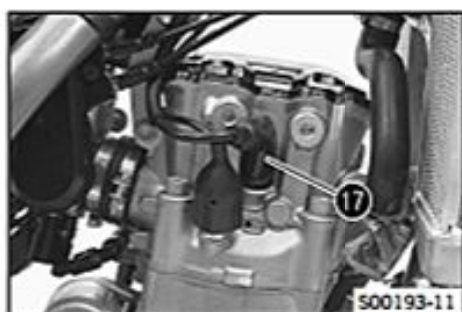
Screw, clutch slave cylinder	M6	10 Nm (7.4 lbf ft)	
------------------------------	----	--------------------	--



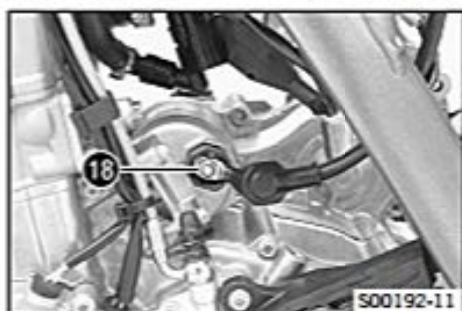
- Mount and tighten screw 16.

Guideline

Remaining screws, chassis	M8	25 Nm (18.4 lbf ft)	
---------------------------	----	------------------------	--



- Connect spark plug connector ①.



- Position the positive cable on the starter motor.
- Mount and tighten nut ②.

Guideline

Remaining nuts, chassis	M6	10 Nm (7.4 lbf ft)
-------------------------	----	--------------------

- Mount the protection cap.



- Mount the radiator hose.
- Position and tighten hose clip ③.



- Mount the radiator hoses.
- Position and tighten hose clip ④.



- Position the exhaust manifold.
- Mount springs ⑤.

Spring hooks (50305017000) (☛ p. 242)

- Tighten screw ⑥.

Guideline

Remaining screws, chassis	M8	25 Nm (18.4 lbf ft)
---------------------------	----	------------------------



- From above, position the shock absorber carefully in the vehicle.
- Mount and tighten screw ⑦.

Guideline

Screw, top shock absorber	M10	60 Nm (44.3 lbf ft)	Loctite® 2701™
---------------------------	-----	------------------------	----------------



- Position the angle lever and linkage lever.
- Mount and tighten fitting ④.

Guideline

Nut, linkage lever to angle lever	M14x1.5	80 Nm (59 lbf ft)
-----------------------------------	---------	-------------------

- Mount and tighten screw ⑤.

Guideline

Screw, bottom shock absorber	M10	60 Nm (44.3 lbf ft)	Loctite® 2701™
------------------------------	-----	---------------------	----------------

- Remove the fixation and position the subframe.

**Info**

Watch out for the intake flange.

- Mount and tighten screw ⑥.

Guideline

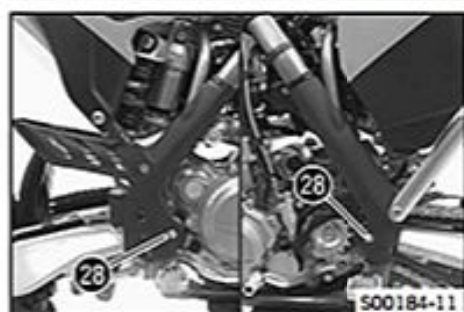
Screw, subframe	M8	35 Nm (25.8 lbf ft)	Loctite® 2701™
-----------------	----	---------------------	----------------

- Remove screw ⑦.
- Mount and tighten screw ⑧.

Guideline

Screw, subframe	M8	35 Nm (25.8 lbf ft)	Loctite® 2701™
-----------------	----	---------------------	----------------

- Repeat the operation on the opposite side.



- Position the frame protector on the left and right.

**Info**

Pay attention to the holding lugs.

- Mount and tighten screw ⑨.

Guideline

Screw, frame protector	M5	3 Nm (2.2 lbf ft)
------------------------	----	-------------------

- Attach the frame protector with a cable binder.

- Position intake air temperature sensor ⑩ and mount and tighten screws ⑪.

Guideline

Screw, intake air temperature sensor	M5	2 Nm (1.5 lbf ft)
--------------------------------------	----	-------------------



- Position and tighten hose clip ⑫.



- Plug in connector ❶ of the ignition pulse generator.
- Plug in connector ❷ of the alternator.
- Route the cable so it is not under tension and secure with cable binders ❸.



- Mount EFI control unit ❹ in the holder.



- Connect negative cable ❺ of the battery.



- Remove the filler plug ❻ and top up the engine oil.

Engine oil	1.50 l (1.59 qt.)	Engine oil (SAE 10W/50) (☞ p. 238)
------------	-------------------	------------------------------------

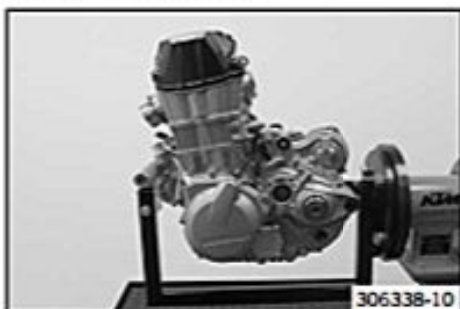
- Mount and tighten filler plug ❻.

Finishing work

- Install the main silencer. (☞ p. 81)
- Install the fuel tank. (☞ p. 88)
- Mount the seat. (☞ p. 87)
- Refill the coolant. (☞ p. 203)
- Remove the motorcycle from the lift stand. (☞ p. 10)
- Take a short test ride.
- Read out the fault memory using the KTM diagnostics tool.
- Execute the initialization run. (☞ p. 212)
- Check the engine for leakage.
- Check the engine oil level. (☞ p. 204)
- Check the coolant level. (☞ p. 201)

16.3 Engine disassembly

16.3.1 Preparations



- Mount the special tool on the engine assembly stand.

Engine bracket (78029002000) (☛ p. 248)

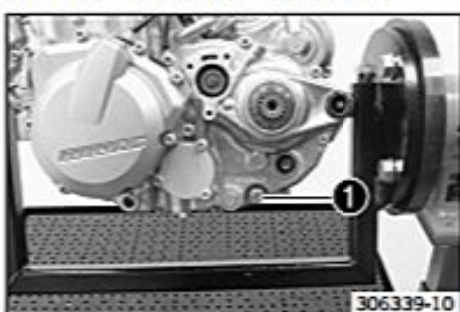
Engine assembly stand (61229001000) (☛ p. 245)

- Mount the engine on the special tool.

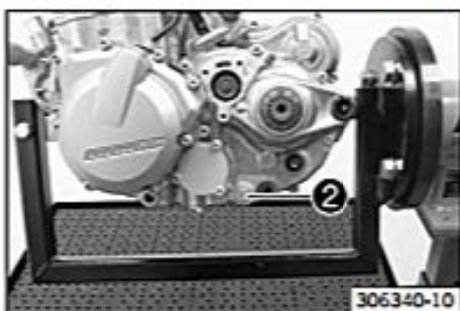
**Info**

Have an assistant help you or use a motorized hoist.

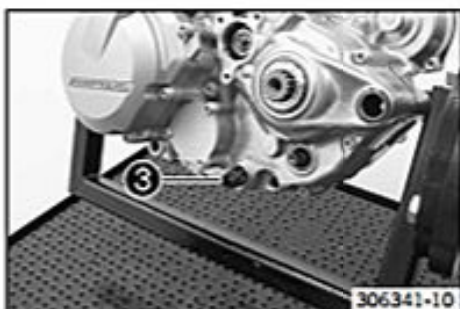
16.3.2 Draining the engine oil



- Remove oil drain plug ❶ with the magnet and seal ring.



- Remove screw plug ❷.
- Completely drain the engine oil.

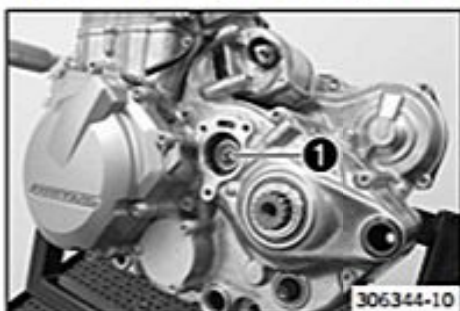


- Remove the long oil screen ❸.



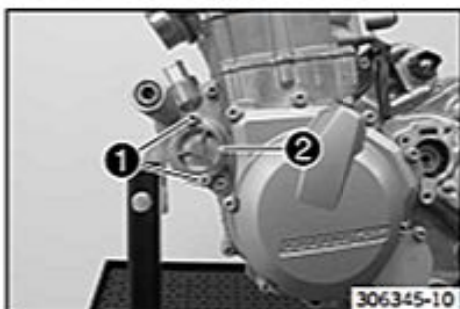
- Remove screw plug ❹ with the short oil screen.

16.3.3 Removing the clutch push rod



- Remove clutch push rod ❶.

16.3.4 Removing the oil filter



- Remove screws ❶.
- Remove the oil filter cover ❷ with the O-ring.



- Pull oil filter ❸ out of the oil filter housing.

Circlip pliers reverse (51012011000) (☞ p. 243)

16.3.5 Removing the starter motor



- Remove screws ❶ and take off the starter motor.

16.3.6 Removing the spark plug



- Remove the spark plug using the special tool.

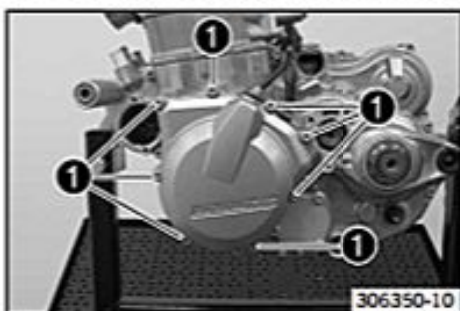
Spark plug wrench (75029172000) (☞ p. 247)

16.3.7 Removing the valve cover

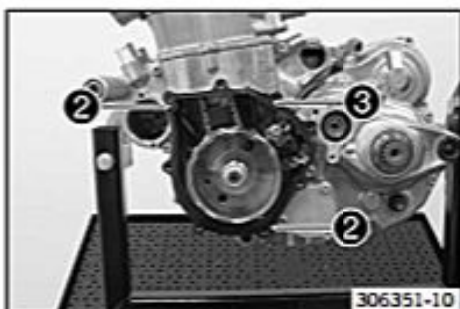


- Remove screws ❶.
- Take off the valve cover with the valve cover seal.

16.3.8 Removing the alternator cover

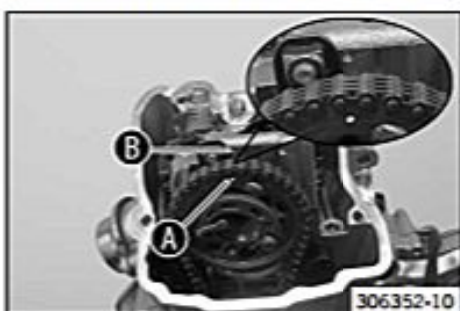


- Remove screws ❶.
- Take off the alternator cover.



- Remove locating pins ❷.
- Take off the alternator cover gasket ❸.

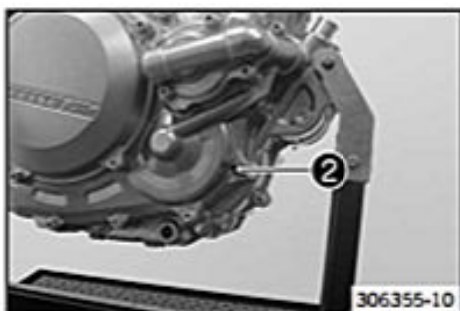
16.3.9 Positioning the engine at ignition top dead center



- Align camshaft marking ❶ with marking ❷ on the cylinder head.



- Remove screw ❶.



- Screw in special tool ②.

Locking screw (113080802) (☛ p. 242)

16.3.10 Removing the timing chain tensioner

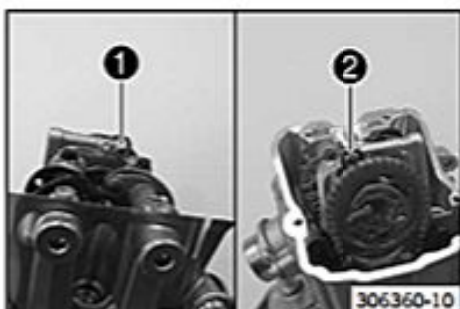


- Remove screw ① with the washer and spring.



- Remove screws ②.
- Take off the chain adjuster with the gasket.

16.3.11 Removing the camshaft

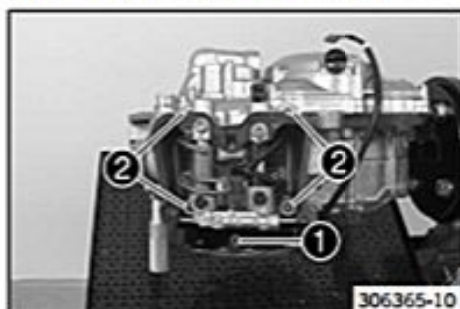


- Remove screw ①. Remove the camshaft support plate ②.



- Pull the camshaft out of the bearing seats. Take the timing chain off the camshaft gear. Remove the camshaft.

16.3.12 Removing the cylinder head



- Remove screw 1.
- Unscrew screws 2 in a crisscross pattern and remove.
- Remove the cylinder head.



- Take off dowels 3.
- Remove cylinder head gasket 4.

16.3.13 Removing the piston



- Push the cylinder upward.

i Info

Only push the cylinder as far up as necessary to take the piston pin out.

- Remove the piston pin retainer 1.
- Remove the piston pin.
- Take off the cylinder and piston.
- Push the piston upward out of the cylinder.

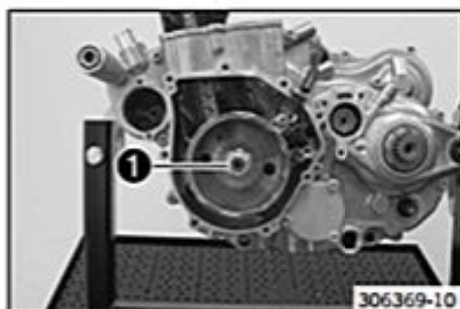
i Info

If no further work is to be performed on the cylinder and piston, the piston can remain in the cylinder.

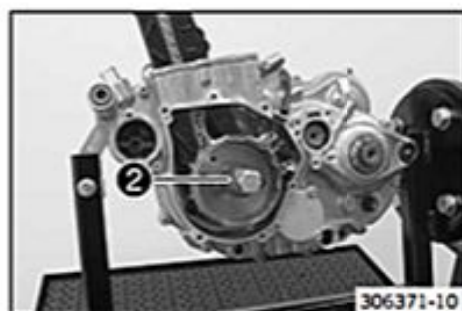
- Take off dowels 2 and cylinder base gasket 3.



16.3.14 Removing the rotor



- Remove nut 1 with the spring washer.

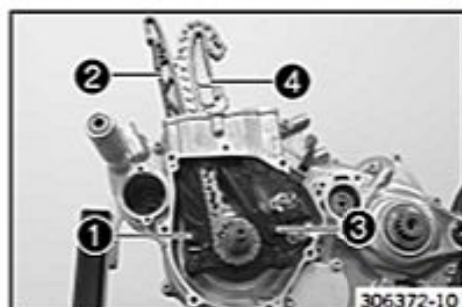


- Mount special tool ② on the rotor.

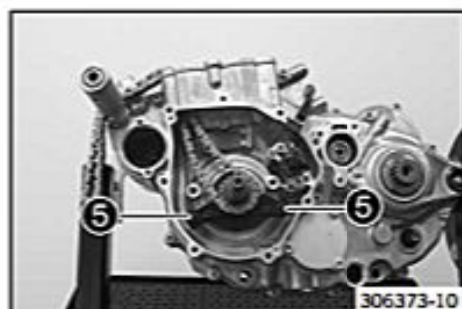
Extractor (58012009000) (☛ p. 243)

- Hold the special tool and pull off the rotor by turning in the screw.
- Remove the spring washer.

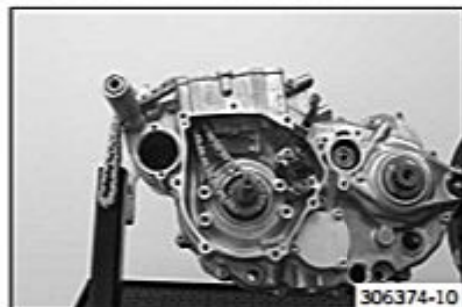
16.3.15 Removing the timing chain



- Remove screw ①.
- Take off timing chain guide rail ② toward the top.
- Remove screw ③.
- Remove timing chain tensioning rail ④ toward the top.



- Remove screws ⑤.
- Remove the timing chain securing guide.

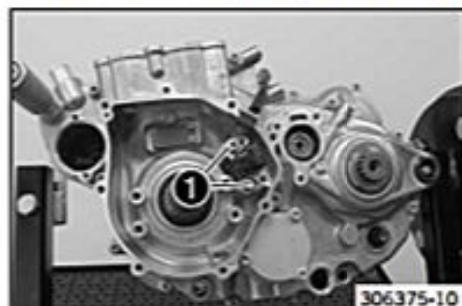


- Take off the timing chain.

i Info

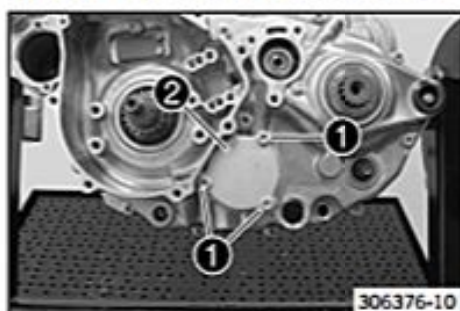
If the timing chain is going to be used again, mark the direction of travel.

16.3.16 Removing the ignition pulse generator

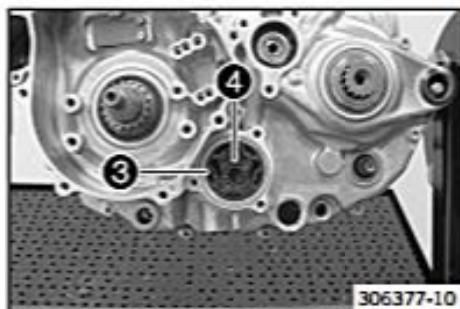


- Remove screws ①.
- Pull the cable sleeve out of the engine case.
- Take off the crankshaft position sensor.

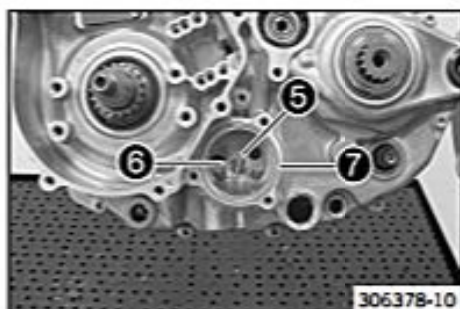
16.3.17 Removing the suction pump



- Remove screws 1.
- Take off oil pump cover 2 of the suction pump.

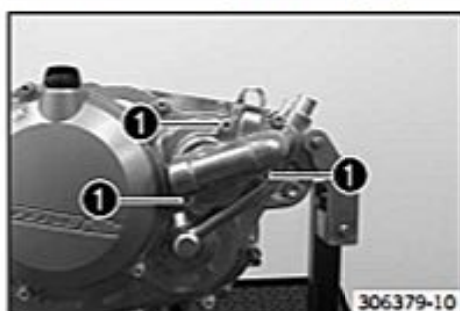


- Remove external rotor 3 and internal rotor 4.



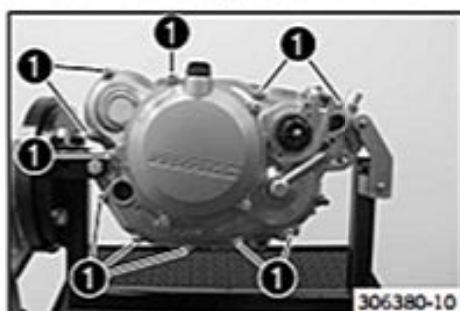
- Take off pin 5.
- Remove pin 6 upward.
- Remove O-ring 7.

16.3.18 Removing the water pump cover



- Remove screws 1. Take off the water pump cover.
- Take off the water pump cover seal.

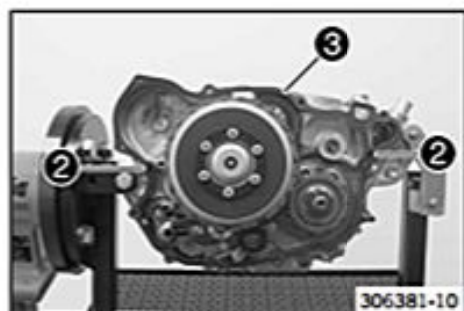
16.3.19 Removing the clutch cover



- Remove screws 1.
- Take off the clutch cover.

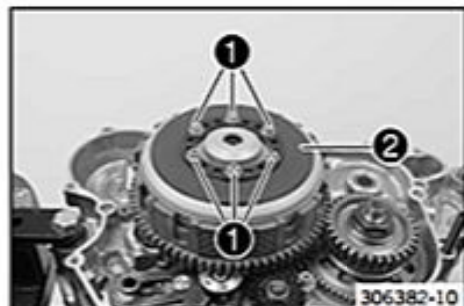
**Info**

If work is to be performed on the water pump, unscrew the nut of the water pump impeller.



- Remove dowels ②.
- Take off clutch cover gasket ③.

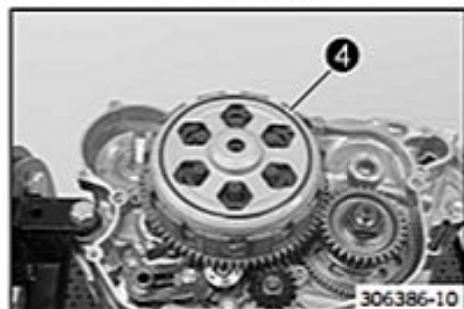
16.3.20 Removing the clutch discs



- Remove screws ①.
- Take off spring retainer ②.



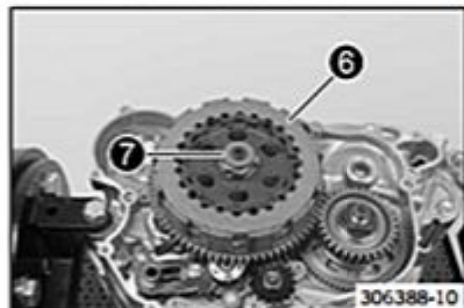
- Take off spring washer ③.



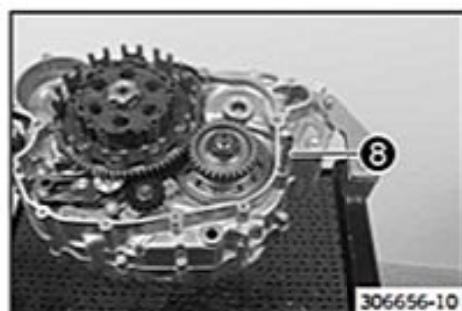
- Take off pretension ring ④.



- Take off pressure cap ⑤.



- Completely remove clutch disc pack ⑥.
- Remove clutch pressure piece ⑦.



- Remove special tool ⑧.

Locking screw (113080802) (☞ p. 242)

16.3.21 Removing the outer clutch hub

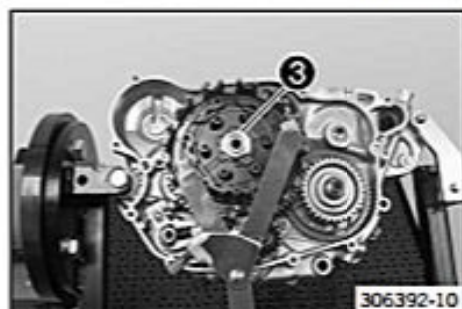


- Lock the outer clutch hub and primary gear using special tool ①.

Gear quadrant (80029004000) (☞ p. 249)

- Remove nut ②.

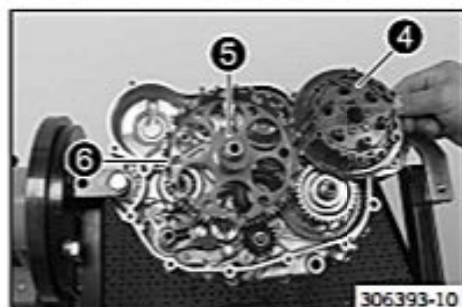
i Info
Left-handed thread.



- Bend up the lock washer.
- Hold the inner clutch hub with the special tool.

Clutch holder (51129003000) (☞ p. 243)

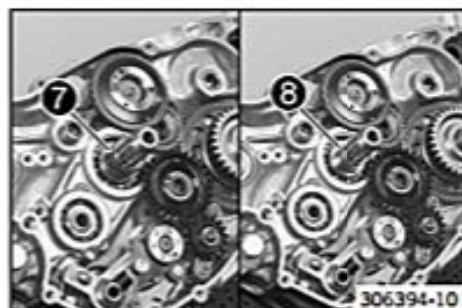
- Remove nut ③ with the lock washer.



- Take off inner clutch hub ④ and washer ⑤.

i Info
The washer usually sticks to the inner clutch hub.

- Take off ⑥.



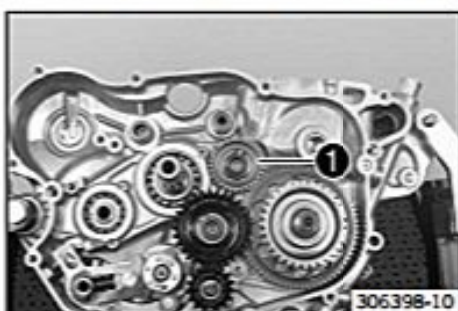
- Take off both needle bearings ⑦ and collar bushing ⑧.

16.3.22 Removing the torque limiter



- Remove screw ❶ with the washer.
- Take off the torque limiter.

16.3.23 Removing the starter idler gear



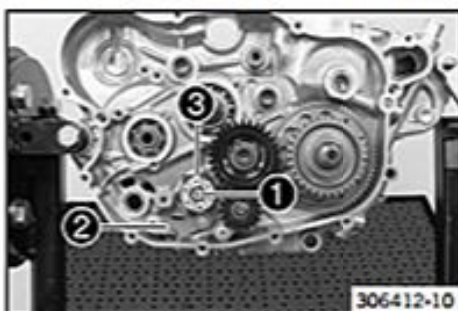
- Remove the lock ring and washer.
- Take off starter idler gear ❶.

16.3.24 Removing the shift shaft



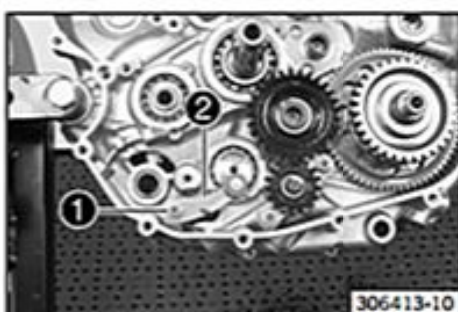
- Push sliding plate ❶ away from the shift drum locating unit.
- Remove shift shaft ❷ with the washer.

16.3.25 Removing the shift drum locating unit



- Remove screw ❶.
- Push away locking lever ❷ from shift drum locating unit ❸ and remove the shift drum locating unit.
- Relieve tension from the locking lever.

16.3.26 Removing the locking lever



- Unscrew ❶ and remove together with locking lever ❷, washer, sleeve and spring.

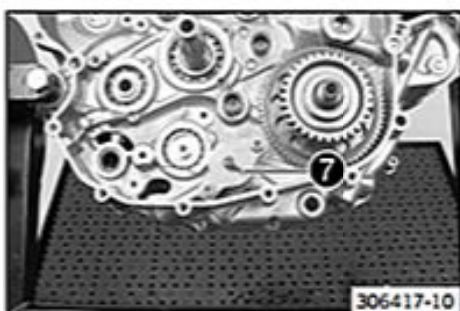
16.3.27 Removing the force pump



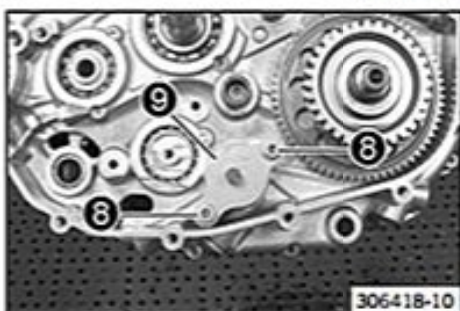
- Remove lock ring ①.
- Take off washer ②.
- Remove oil pump idler gear ③.



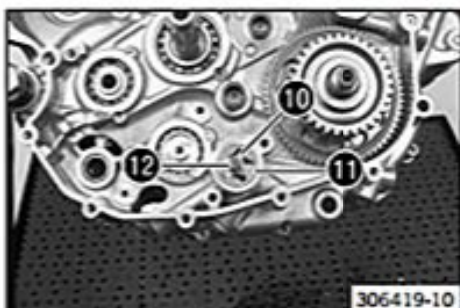
- Remove lock washer ④.
- Take off washer ⑤.
- Take off oil pump gear wheel ⑥.



- Remove pin ⑦.

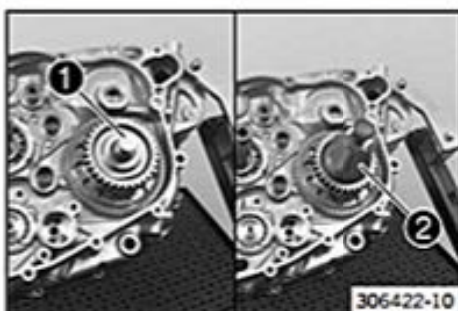


- Remove screws ⑧.
- Take off oil pump cover ⑨.



- Remove internal rotor ⑩ and external rotor ⑪.
- Remove the pin.
- Push oil pump shaft ⑫ inward and take it out of the engine from the ignition side.

16.3.28 Removing the primary gear



- Insert special tool ❶ in the crankshaft.

Protection cover (75029090000) (☞ p. 247)

- Install special tool ❷.

Extractor (75029021000) (☞ p. 246)

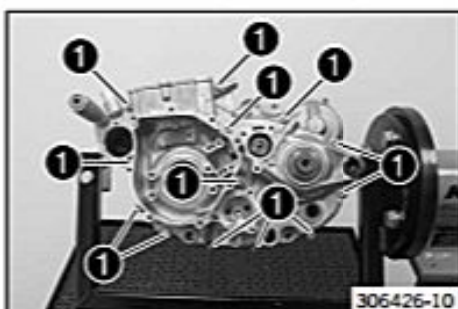
- Hold it using the special tool and pull off the primary gear by turning the screw in.
- Remove the special tools.

16.3.29 Removing the freewheel gear

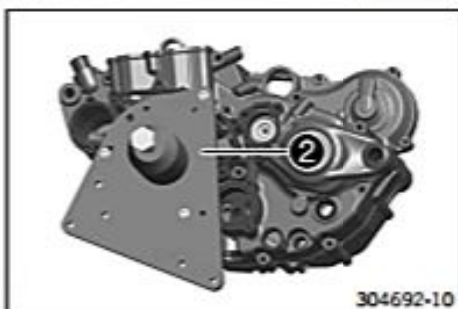


- Remove the spring washer ❶.
- Take off free-wheel gear ❷.

16.3.30 Removing the left engine case section



- Remove screws ❶.



- Mount special tool ❷ with the appropriate screws.

Case separating tool (90129048000) (☞ p. 250)

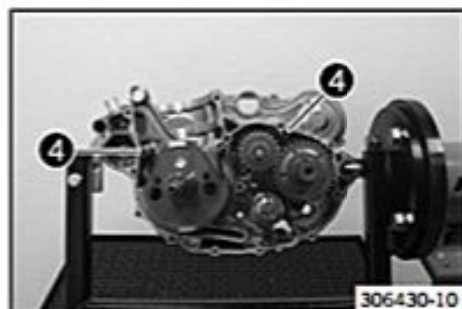
i Info
Use the drill hole marked with 781.

- Tilt the left section of the engine case upward and remove the screw connections of the engine fixing arm.
- Take off the section of the engine case.

i Info
Do not subject the section of the engine case to any stress.

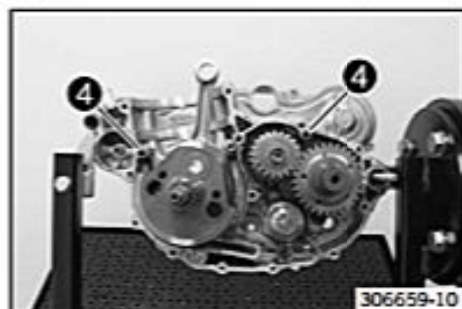
- Remove the special tool.
- Take off the left section of the engine case.
- Remove spacer ❸.





(SX-F EU)

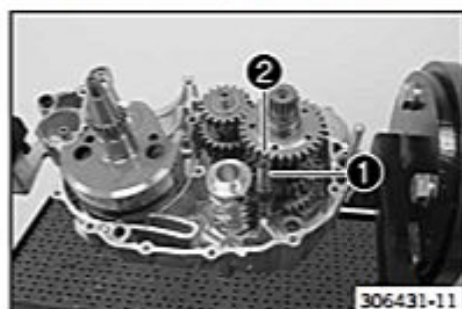
- Remove dowels ④.



(SX-F USA, SX-F Factory Edition, XC-F)

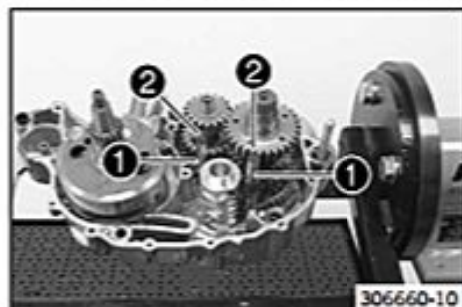
- Remove dowels ④.

16.3.31 Removing the shift rails



(SX-F EU)

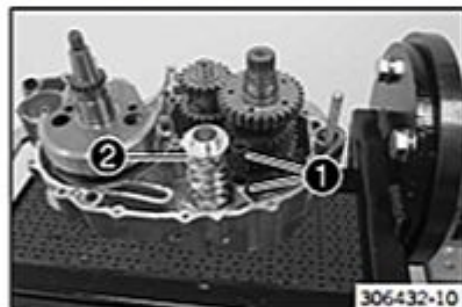
- Remove shift rail ① together with upper spring ② and the lower spring ③.



(SX-F USA, SX-F Factory Edition, XC-F)

- Remove shift rails ① together with upper springs ② and lower springs ③.

16.3.32 Removing the shift drum



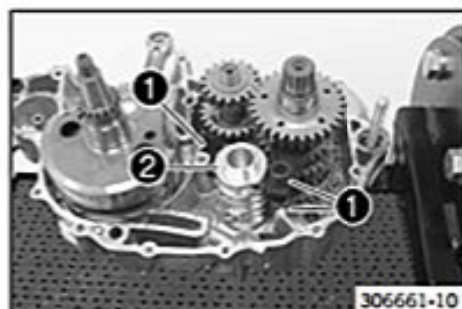
(SX-F EU)

- Swing shift forks ① to one side.

**Info**

Do not misplace the shift rollers.

- Remove shift drum ②.



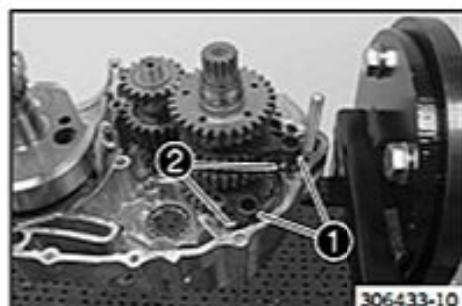
(SX-F USA, SX-F Factory Edition, XC-F)

- Swing shift forks ① to one side.

**Info**

Do not misplace the shift rollers.

- Remove shift drum ②.

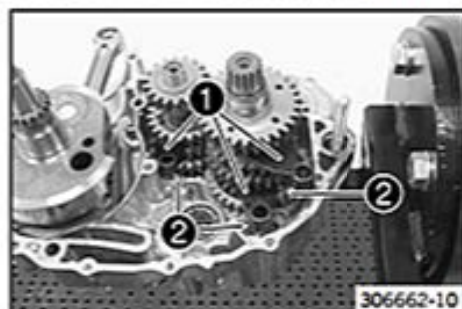
16.3.33 Removing the shift forks

(SX-F EU)

- Take shift forks ① out of the shift grooves.

**Info**

Do not misplace shift rollers ②.

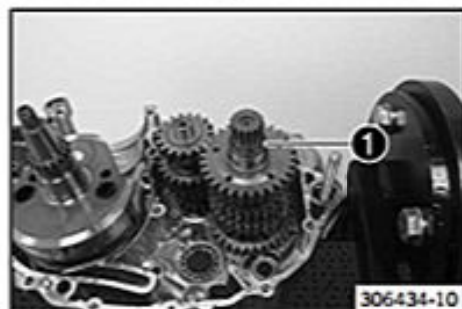


(SX-F USA, SX-F Factory Edition, XC-F)

- Take shift forks ① out of the shift grooves.

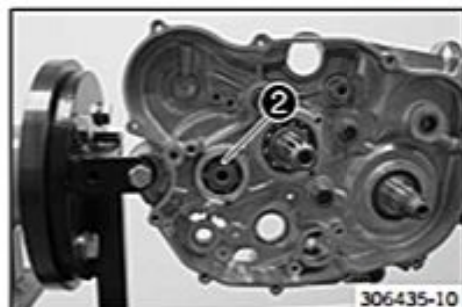
**Info**

Do not misplace shift rollers ②.

16.3.34 Removing the transmission shafts

(SX-F EU)

- Remove O-ring ①.



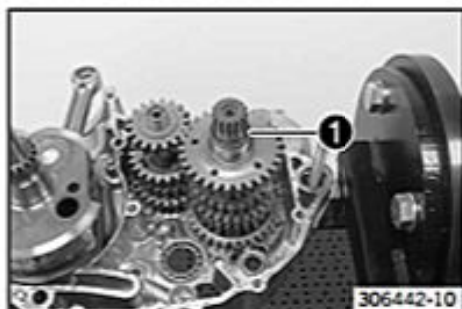
- Position the engine upright.
- Remove lock ring ②.



- Pull both transmission shafts out of the bearing seats together.

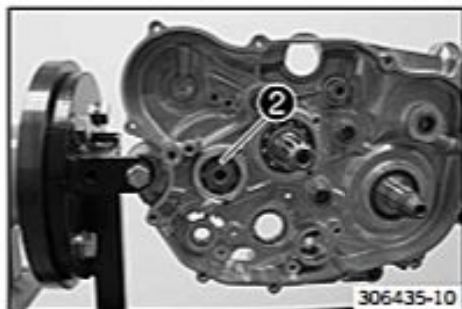
**Info**

Make sure not to misplace the washers.

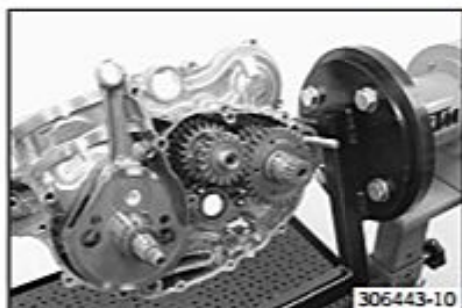


(SX-F USA, SX-F Factory Edition, XC-F)

- Remove O-ring ①.



- Position the engine upright.
- Remove lock ring ②.

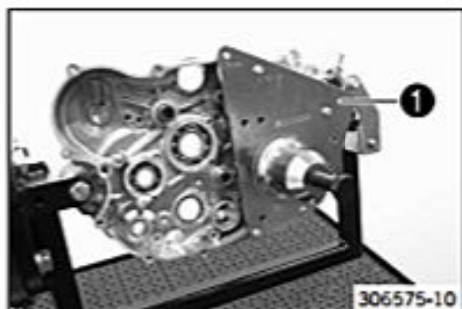


- Pull both transmission shafts out of the bearing seats together.

**Info**

Make sure not to misplace the washers.

16.3.35 Removing the crankshaft



- Attach the special tool to the crankshaft.

Protection cover (75029090000) (☞ p. 247)

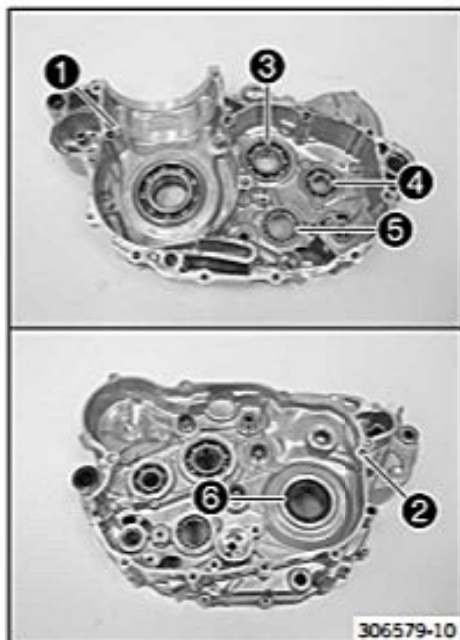
- Mount special tool ① onto the engine case with suitable screws.

Removal tool (78029049100) (☞ p. 248)

- Press the crankshaft out of the bearing seat.
- Take out crankshaft .
- Remove the special tools.
- Take off the right section of the engine case.

16.4 Work on individual parts

16.4.1 Work on the right section of the engine case



Preparatory work

- Remove the oil pressure regulator valve. (☛ p. 152)

Main work

- Remove all remaining dowels.
- Remove oil nozzles ① and ②.
- Remove the bearing retainer of main shaft bearing ③, of countershaft bearing ④ and of shift drum bearing ⑤.
- Remove any sealing mass remnants and clean the engine case section thoroughly.
- Warm the engine case section in an oven.

Guideline

150 °C (302 °F)

- Knock the engine case section against a level wooden plate. This will cause the bearings to drop out of the bearing seats.



Info

Any bearings that remain in the engine case section must be removed using a suitable tool.

- Press out shaft seal ring ⑥ of the crankshaft from the inside to the outside.



Info

Do not press the shaft seal ring from the outside toward the inside, as there is a small collar on the inside.

- Warm the engine case section again.

Guideline

150 °C (302 °F)

- Insert the new cold bearings into the bearing seats of the hot engine case section and, if necessary, use a suitable press drift to push the bearing from the inside to the outside, all the way to the stop or so it is flush.



Info

When pressing the bearing in, ensure that the engine case section is level to prevent damage.

Only press the bearings in via the outer bearing race; otherwise, the bearings will be damaged when they are pressed in.

- After the engine case section has cooled, check that the bearings are firmly seated.



Info

If the bearings are not firmly seated after cooling, it is likely that they will rotate in the engine case when warm. In this case, the engine case must be renewed.

- Press in the shaft seal ring from the outside toward the inside, with the open side facing outward.
- Position all bearing locks. Mount and tighten the screws.

Guideline

Screw, bearing retainer	M5	6 Nm (4.4 lbf ft)	Loctite® 2701™
-------------------------	----	----------------------	----------------

- Mount and tighten oil nozzle ①.

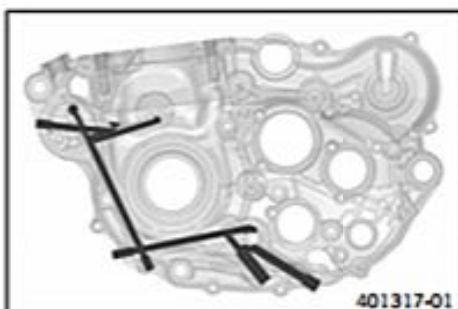
Guideline

Oil nozzle, piston cooling	M5	2 Nm (1.5 lbf ft)	Loctite® 243™
----------------------------	----	----------------------	---------------

- Mount and tighten oil nozzle ②.

Guideline

Oil nozzle for conrod bearing lubrication	M6x0.75	4 Nm (3 lbf ft)	
---	---------	-----------------	--



- Blow compressed air through all oil channels and check that they are clear.

Finishing work

- Install the oil pressure regulator valve. (☛ p. 153)

16.4.2 Work on the left section of the engine case



- Remove all remaining dowels.
- Remove screw ①.
- Remove oil spray tube ②.
- Remove screws ③.
- Remove membrane support plate ④ and the membrane.
- Remove shaft seal ring ⑤ of the countershaft and shaft seal ring ⑥ of the shift shaft.

i Info

Shaft seal ring ⑤ of the crankshaft can only be removed after the crankshaft bearing is removed because of a smaller collar on the outside.



- Remove screws ④.
- Remove membrane support plate ⑤ and the membrane.
- Remove any sealing mass remnants and clean the engine case section thoroughly.
- Warm the engine case section in an oven.

Guideline

150 °C (302 °F)

- Knock the engine case section against a level wooden plate. This will cause the bearings to drop out of the bearing seats.

i Info

Any bearings that remain in the engine case section must be removed using a suitable tool.

- Press shaft seal ring ⑥ of the crankshaft from the inside to the outside.
- Warm the engine case section again.

Guideline

150 °C (302 °F)

- Insert the new cold bearings into the bearing seats of the hot engine case section and, if necessary, use a suitable press drift to push the bearing all the way to the stop or so that it is flush.

i Info

When pressing the bearing in, ensure that the engine case section is level to prevent damage.

Only press the bearings in via the outer bearing race; otherwise, the bearings will be damaged when they are pressed in.

- After the engine case section has cooled, check that the bearings are firmly seated.

i Info

If the bearings are not firmly seated after cooling, it is likely that they will rotate in the engine case when warm. In this case, the engine case must be renewed.

- Press the shaft seal ring ① of the crankshaft from the outside to the inside with the open side facing out.

**Info**

The shaft seal ring must be flush on the outside.

- Press in the shaft seal ring ② of the countershaft and shaft seal ring ③ of the shift shaft with the open side facing inward until it is flush.
- Position membrane support plate ④ together with the membrane.
- Mount and tighten screws ⑤.

Guideline

Screw, engine case	M3	3 Nm (2.2 lbf ft)	Loctite® 648™
--------------------	----	----------------------	---------------

- Position membrane support plate ④ together with the membrane.
- Mount and tighten screws ⑤.

Guideline

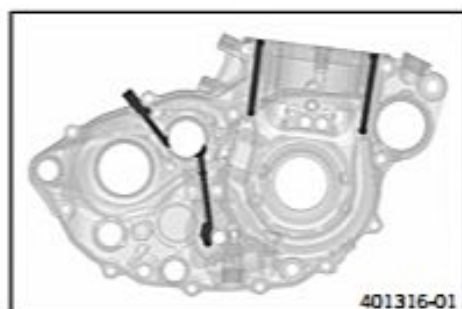
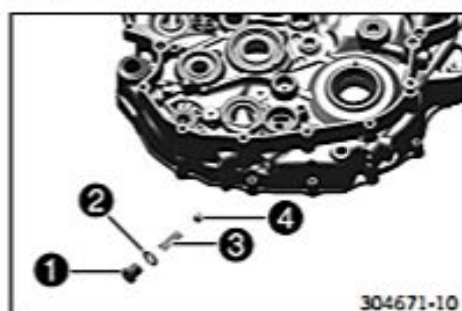
Screw, engine case	M3	3 Nm (2.2 lbf ft)	Loctite® 648™
--------------------	----	----------------------	---------------

- Position oil spray tube ⑥.
- Mount and tighten screw ⑦.

Guideline

Screw, oil spray tube	M4	5 Nm (3.7 lbf ft)	Loctite® 243™
-----------------------	----	----------------------	---------------

- Mount the dowels.
- Blow compressed air through all oil channels and check that they are clear.

**16.4.3 Removing the oil pressure regulator valve**

- Remove screw plug ① with sealing washer ②.
- Remove pressure spring ③ and ball ④.

16.4.4 Checking spring length of oil pressure regulator valve**Preparatory work**

- Remove the oil pressure regulator valve. (↖ p. 152)

Main work

- Measure the spring length of the oil pressure regulator valve.

Oil pressure regulator valve	
Minimum length of preload spring	24.5 mm (0.965 in)

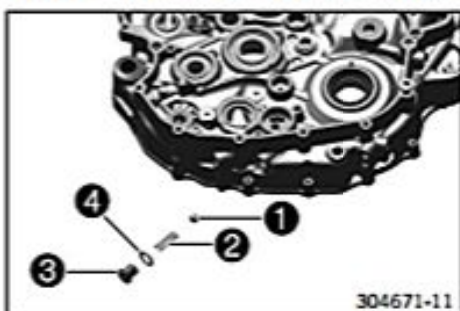
- * If the measured value does not meet specifications:
 - Change the spring.



Finishing work

- Install the oil pressure regulator valve. (☛ p. 153)

16.4.5 Installing the oil pressure regulator valve



- Install ball ① and pressure spring ②.
- Mount and tighten plug ③ with sealing washer ④.

Guideline

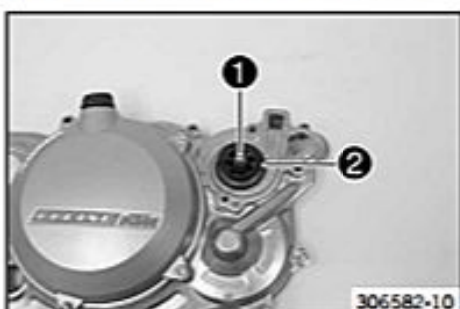
Plug, oil pressure regulator valve	M12x1.5	20 Nm (14.8 lbf ft)
------------------------------------	---------	------------------------

16.4.6 Changing the crankshaft seal ring in the clutch cover



- Remove crankshaft seal ring ①.
- Press the new crankshaft seal ring into the clutch cover with the open side facing inward until it is flush.
- Grease the sealing lip.

16.4.7 Removing the water pump



- Remove nut ①.
- Remove water pump impeller ②.

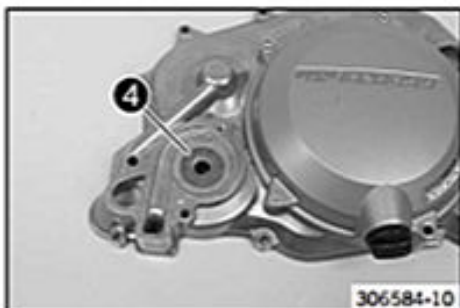


Info

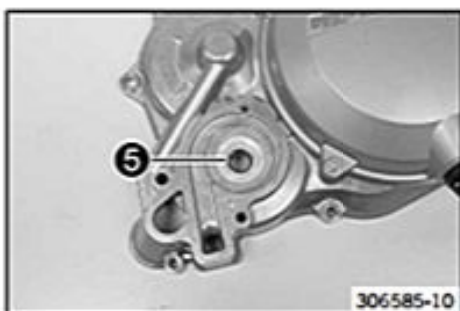
If the water pump impeller cannot be detached, then the water pump shaft can be pressed out toward the inside.



- Remove balancer shaft ③.



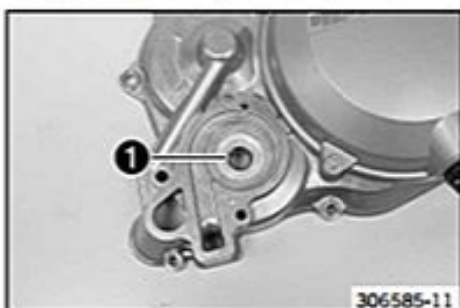
- Remove shaft seal ring ④.



- Press out water pump bearing ⑤ toward the inside with an appropriate tool.

**Info**

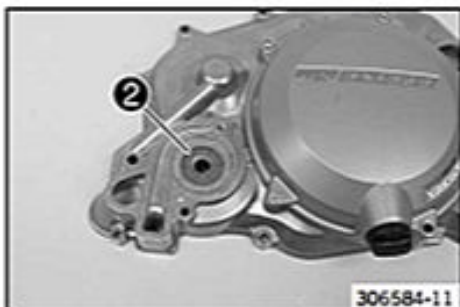
Provide suitable support for the clutch cover while pressing out.

16.4.8 Installing the water pump

- Press water pump shaft bearing ① in until it is flush using the appropriate tool.

**Info**

Support the clutch cover sufficiently when pressing in.



- Press shaft seal ring ② all the way in.



- Mount special tool ③ on the water pump shaft.

Mounting sleeve (90129005000) (☞ p. 249)



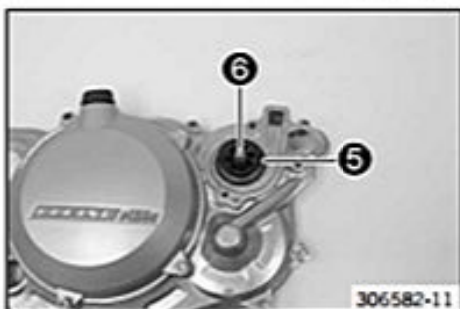
- Mount balancer shaft ④.

**Info**

Be careful not to damage the shaft seal rings.

- Remove the special tool.

Mounting sleeve (90129005000) (☞ p. 249)



- Mount water pump impeller ⑥.
- Mount and tighten nut ⑤.

Guideline

Nut, water-pump wheel	M6	8 Nm (5.9 lbf ft)	Loctite® 243™
-----------------------	----	----------------------	---------------

16.4.9 Removing the timing chain sprocket



- Warm up the timing chain sprocket ❶ with a blow-dryer.
- Pull off the timing chain sprocket with the special tool.

Puller, 2-arm (60029033000) (☛ p. 245)

**Info**

The timing chain sprocket is usually damaged by the disassembly and must be replaced.

16.4.10 Installing the timing chain sprocket



- i** **Info**
Never clamp the crankshaft with a crankshaft journal in the bench vise and try to hammer on the timing chain sprocket. In such a case, the crank webs will be distorted rendering the crankshaft unserviceable.

- Warm up the new timing chain sprocket and immediately push it onto the crankshaft.

Guideline

180 °C (356 °F)

16.4.11 Changing the connecting rod, conrod bearing, and crank pin

**Main work**

- Position the crankshaft with special tool ❶ in the press.

Separator plate (78929009000) (☛ p. 249)

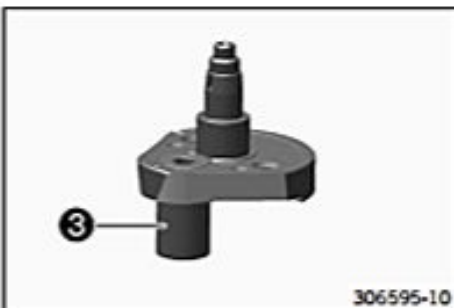
- Press the crank pin out of the upper crank web with special tool ❷.

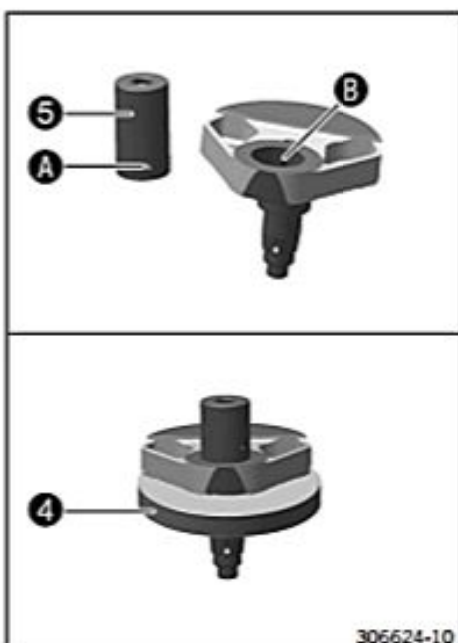
Pressing device for crankshaft, complete (75029047000) (☛ p. 246)

**Info**

Hold the lower crank web.

- Take off the connecting rod and bearing.
- Press crank pin ❸ out of the lower crank web.





- Place the crank web onto special tool ④.

Insert for crankshaft pressing tool (78929008000) (☞ p. 249)

**Info**

The special tool must be positioned with the flat surface facing downward.

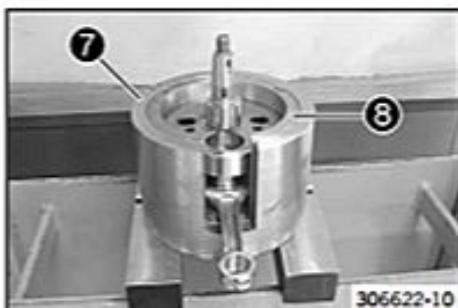
- Press the new crank pin ⑤ all the way in.
 - ✓ Oil channel ⑤ is aligned with oil channel ⑥.
 - ✗ If the oil channels are not correctly aligned, the conrod bearing will not be supplied with oil.
- Blow compressed air through the oil channels to check that they are clear.



- Mount the new connecting rod ⑥.

**Info**

Lubricate the bearing thoroughly.

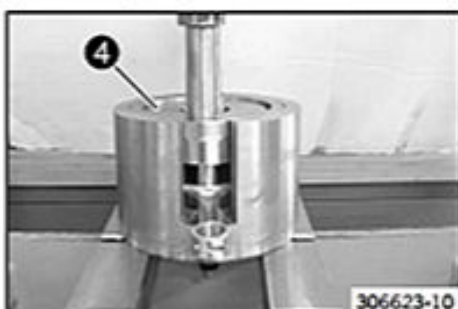


- Position special tools ⑦ and ⑧ on the press.

Pressing device for crankshaft, complete (75029047000) (☞ p. 246)

Insert for crankshaft pressing tool (78929008000) (☞ p. 249)

- Place the crank web in with the connecting rod and the bearing. Position the second crank web.



- Position special tool ④ with the heel at the bottom.

Insert for crankshaft pressing tool (78929008000) (☞ p. 249)

- Press the upper crank web in as far as possible.

**Info**

The press mandrel must be applied above the crank pin.

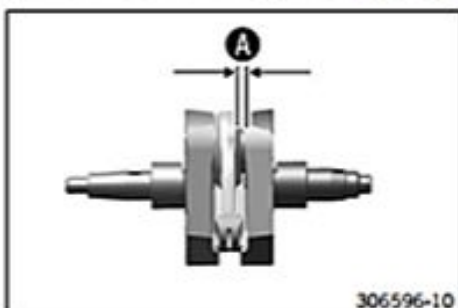
- Take the crankshaft out of the special tool, and check the connecting rod for freedom of movement.

- Measure axial play ① between the connecting rod and the crank webs using the special tool.

Feeler gauge (59029041100) (☞ p. 244)

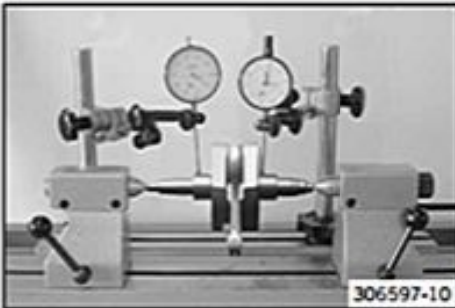
Connecting rod - end play of lower conrod bearing	0.20... 0.45 mm (0.0079... 0.0177 in)
---	---------------------------------------

- If the measured value is less than the specification:
 - Correct until it complies with the specified value.

**Finishing work**

- Check the crankshaft run-out at bearing pin. (☞ p. 157)

16.4.12 Checking crankshaft run-out at bearing pin



- Position the crankshaft on a roller block.
- Turn the crankshaft slowly.
- Check the crankshaft run-out on both bearing pins.

Crankshaft - run-out on bearing pin	$\leq 0.16 \text{ mm}$ ($\leq 0.0063 \text{ in}$)
-------------------------------------	---

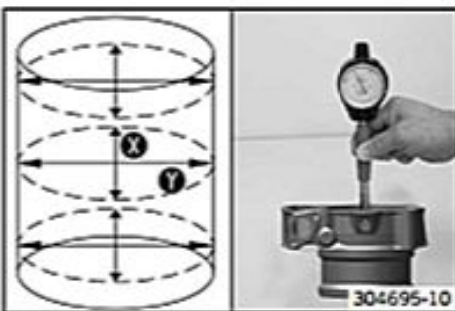
- If the crankshaft run-out at the bearing pin is larger than the specification:
 - Align the crankshaft.

16.4.13 Cylinder - Nikasil® coating



Nikasil® is a surface protection layer for a coating procedure developed by Mahle. The name is derived from the two materials used in this procedure - a layer of nickel into which is embedded the particularly hard silicone carbide. The most important advantages of the **Nikasil®** coating are very good heat conductivity, resulting in much improved performance, low wear, and a lightweight cylinder.

16.4.14 Checking/measuring the cylinder



- Check the cylinder bearing surface for damage.
 - If the cylinder bearing surface is damaged:
 - Change the cylinder and piston.
- Measure the cylinder diameter at several locations on the **X**- and **Y**-axes using a micrometer to identify oval wear.

Guideline

Cylinder - drill hole diameter	
Size I	95... 95.012 mm (3.74... 3.74062 in)
Size II	95.013... 95.025 mm (3.74066... 3.74113 in)



- The cylinder size **1** is labeled on the side of the cylinder.



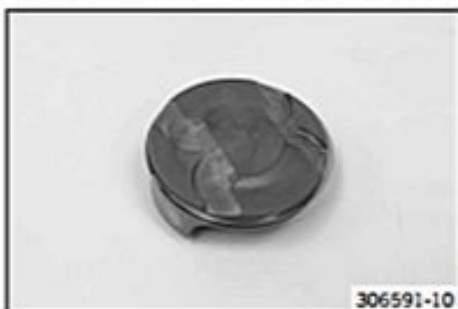
- Using a straightedge and the special tool, check the sealing area of the cylinder head for distortion.

Feeler gauge (59029041100) (☞ p. 244)

Cylinder/cylinder head - sealing area distortion	$\leq 0.1 \text{ mm}$ ($\leq 0.004 \text{ in}$)
--	---

- If the measured value does not meet specifications:
 - Change the cylinder.

16.4.15 Checking/measuring the piston



- Check the piston sliding surface for damage.
 - If the piston sliding surface is damaged:
 - Replace the piston and, if necessary, the cylinder.
- Check that the piston rings move easily in the piston ring grooves.
 - If the piston ring is stiff:
 - Clean the piston ring groove.

**Tip**

An old piston ring can be used to clean the piston ring groove.

- Check the piston rings for damage.
 - If the piston ring is damaged:
 - Replace the piston ring.

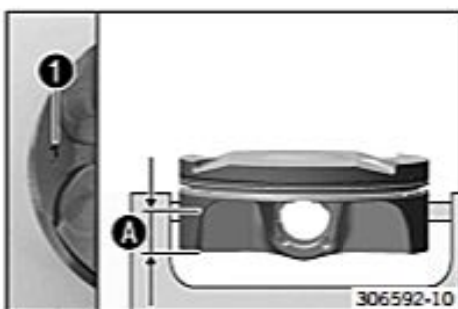
**Info**

Mount the piston ring with the marking facing upward.

- Check the piston pins for discoloration or signs of wear.
 - If the piston pin shows severe discoloration/signs of wear:
 - Replace the piston pin.
- Place the piston pin in the connecting rod and check the seating for play.
 - If the piston pin seating has excessive play:
 - Replace the connecting rod and piston pin.
- Measure the piston at the piston skirt, parallel to the gudgeon pin, at a distance of ①.

Guideline

Distance ①	7 mm (0.28 in)
Piston - diameter	
Size I	94.93... 94.96 mm (3.7374... 3.7386 in)
Size II	94.94... 94.97 mm (3.7378... 3.739 in)

**Info**

Piston dimensions ① are marked on the piston head.

16.4.16 Checking the piston ring end gap



- Remove the piston ring from the piston.
- Place the piston ring in the cylinder and align it with the piston.

Guideline

Under the upper edge of the cylinder	10 mm (0.39 in)
--------------------------------------	-----------------

- Measure the end gap with special tool ①.

Guideline

Piston ring end gap	
Compression ring	≤ 1 mm (≤ 0.04 in)
Oil scraper ring	≤ 1.2 mm (≤ 0.047 in)

Feeler gauge (59029041100) (☞ p. 244)

- If the end gap is more than the specified value:
 - Check/measure the cylinder. (☞ p. 157)
- If the cylinder wear is within the tolerance range:
 - Replace the piston ring.
- Mount the piston ring with the marking facing upward.

16.4.17 Measuring the piston/cylinder mounting clearance



- Check/measure the cylinder. (☛ p. 157)
- Check/measure the piston. (☛ p. 158)
- The smallest piston/cylinder mounting clearance equals the smallest cylinder bore diameter minus the largest piston diameter. The largest piston/cylinder mounting clearance equals the largest cylinder bore diameter minus the smallest piston diameter.

Guideline

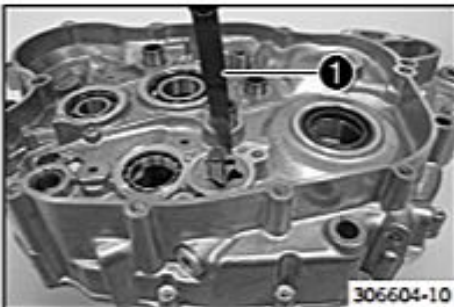
Piston/cylinder - mounting clearance	
Size I	0.040... 0.082 mm (0.00157... 0.00323 in)
Size II	0.043... 0.085 mm (0.00169... 0.00335 in)
Wear limit	0.120 mm (0.00472 in)

16.4.18 Checking the oil pumps



Info

The following steps apply to both oil pumps.



- Use special tool ❶ to measure the play between the external rotor and the engine case.

Feeler gauge (59029041100) (☛ p. 244)

Oil pump

External rotor/engine case clearance	≤ 0.20 mm (≤ 0.0079 in)
--------------------------------------	-------------------------

- If the measured value does not meet specifications:
 - Change the oil pump and, if necessary, the engine case.
- Use special tool ❶ to measure the play between the external rotor and the internal rotor.

Feeler gauge (59029041100) (☛ p. 244)

Oil pump

External rotor/internal rotor clearance	≤ 0.20 mm (≤ 0.0079 in)
---	-------------------------

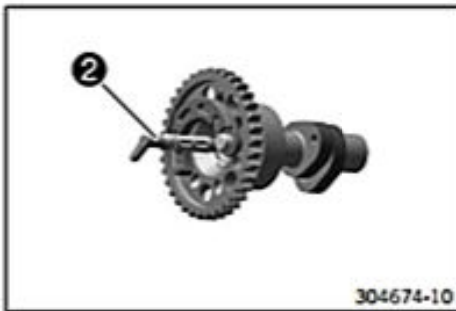
- If the measured value does not meet specifications:
 - Replace the oil pump.



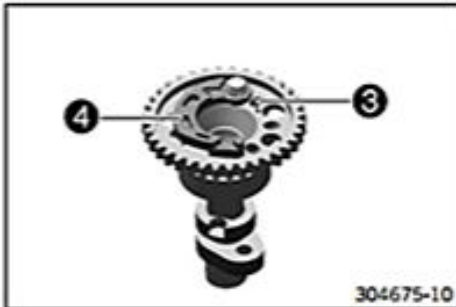
16.4.19 Disassembling the autodecompressor



- Take lock ring ❶ from the autodecompression shaft and dispose of it.



- Pull autodecompression shaft ② out of the camshaft.

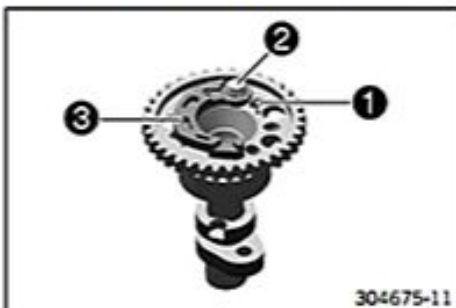


- Release and remove autodecompression spring ③.

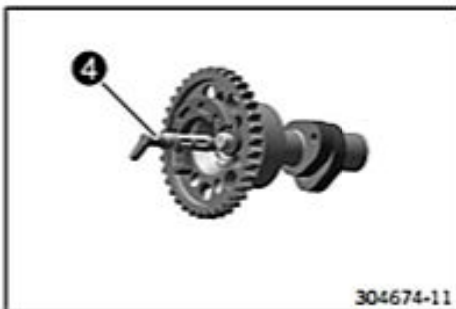
i Info

Autodecompression weight ④ cannot be taken off.

16.4.20 Assembling the autodecompressor



- Insert long flange ① of the autodecompression spring in the hole, push the autodecompression spring over bearing bolt ② and hook it into autodecompression weight ③.



- Mount autodecompression shaft ④ in the camshaft.



- Mount new lock ring ⑤.
- Perform a function check.
 - » The autodecompression spring does not turn the autodecompression shaft back to the stop:
 - Pre-tension the autodecompression spring more or replace it.

16.4.21 Checking camshaft

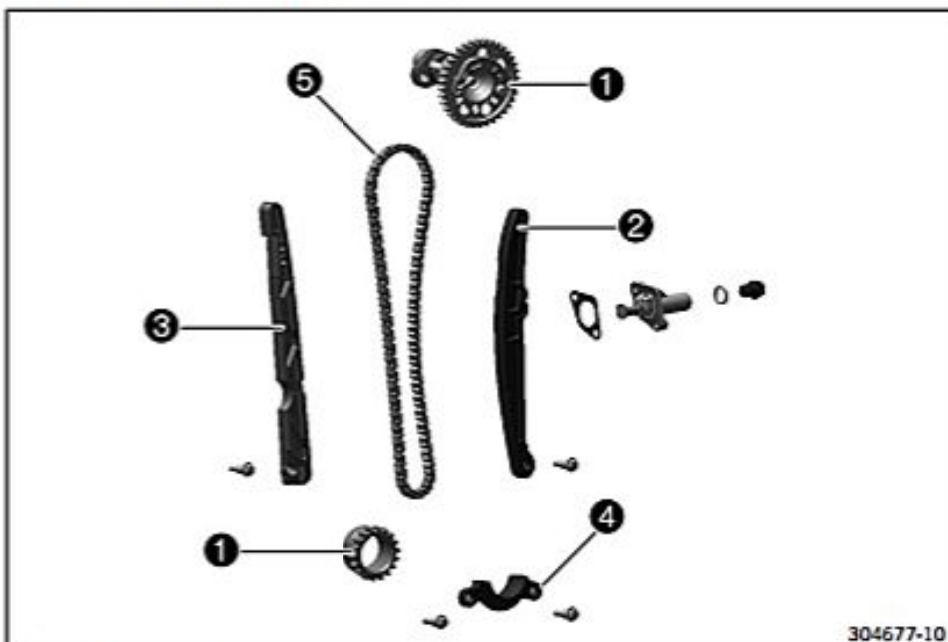


- Check the camshaft for damage and wear.
 - If there is damage or wear:
 - Change the camshaft.
 - If the camshaft surface is damaged, check the oil supply of the camshaft and the rocker arm.
- Measure the cams of the camshaft.

Camshaft - cam height	
Exhaust	33.10... 33.30 mm (1.3031... 1.311 in)
Intake	33.90... 34.10 mm (1.3346... 1.3425 in)

- If the measured value does not meet specifications:
 - Change the camshaft.

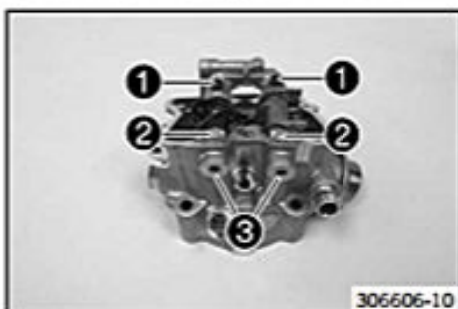
16.4.22 Checking the timing assembly



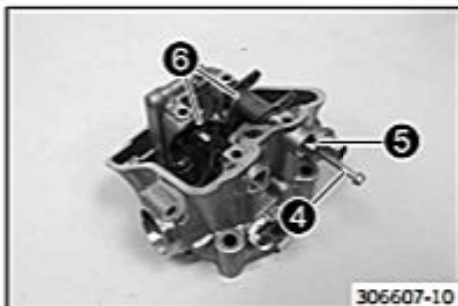
- Clean all parts well.
- Check the timing chain gear/timing chain sprocket ❶ for damage and wear.
 - If there is damage or wear:
 - Change the camshaft/timing chain sprocket.
- Check the timing chain tensioning rail ❷ for damage and wear.
 - If there is damage or wear:
 - Replace the timing chain tensioning rail.
- Check the timing chain guide rail ❸ for damage and wear.
 - If there is damage or wear:
 - Replace the timing chain guide rail.
- Check the timing chain securing guide ❹ for damage and wear.
 - If there is damage or wear:
 - Replace the timing chain securing guide.
- Check timing chain ❺ for damage and wear.
 - If there is damage or wear:
 - Replace the timing chain.
- Check the timing chain links for smooth operation. Let the timing chain hang down freely.
 - The chain links no longer align in a straight line:

- Replace the timing chain.

16.4.23 Removing the rocker arm



- Remove screws ❶ and ❷ of the rocker arm shafts.
- Remove plugs ❸ with the O-rings.



- Screw appropriate screw ❹ into the rocker arm shafts. Pull out rocker arm shafts ❺.
- Take off rocker arm ❻.

16.4.24 Removing the valves

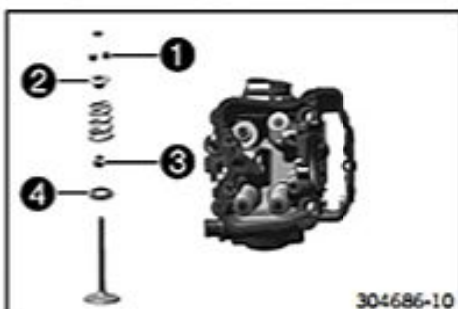


- Take the shims out of the valve spring retainers and lay them to one side according to their normal built-in position.
- Pretension the valve springs using the special tool.

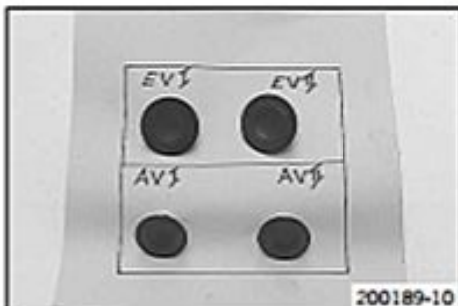
Valve spring compressor (59029019000) (☛ p. 244)

Valve spring mounting device (78029060000) (☛ p. 248)

- Remove valve keys ❶ and relax the valve springs.



- Remove valve spring retainer ❷ and the valve spring.
- Pull the valve out of the valve guide from below and remove valve stem seal ❸ and valve spring seat ❹.



- Mark the valves according to their normal built-in position.



Info

Place the valve into a box according to the installation position and label the box.

16.4.25 Changing camshaft bearing

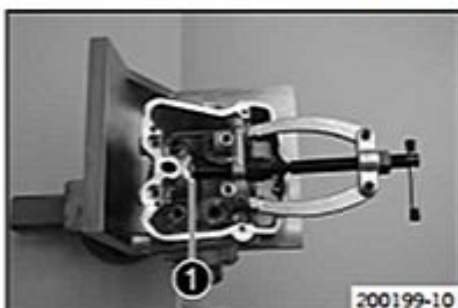


- Mount the cylinder head.

Clamping plate (75029050000) (☞ p. 246)

- Remove the large camshaft bearing using the special tool.

Push-out drift (75029051000) (☞ p. 247)



- Remove the small camshaft bearing ① using the special tool.

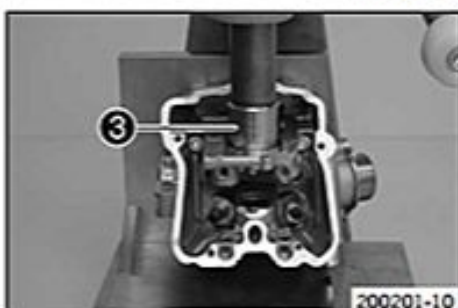
Bearing puller (15112017000) (☞ p. 242)

Insert for bearing puller (15112018100) (☞ p. 242)



- Press the small camshaft bearing in until flush using the special tool ②.

Push-in drift (75029044020) (☞ p. 246)



- Press the large camshaft bearing in until flush using special tool ③.

Push-in drift (75029044010) (☞ p. 246)

16.4.26 Checking the valves



Info

The valve shaft is hard-chrome plated; wear generally appears at the valve guide.



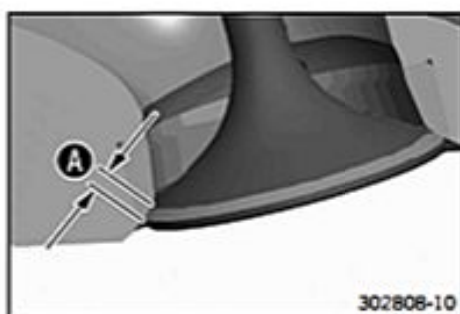
- Check the run-out at the valve plate.

Valve

Run-out at valve plate

≤ 0.05 mm (≤ 0.002 in)

- If the measured value does not meet specifications:
 - Change the valve.



- Check sealing seat ❶ on the valve.

Valve	
Intake sealing seat width	2.00 mm (0.0787 in)

Valve	
Exhaust sealing seat width	2.00 mm (0.0787 in)

- If the sealing area is not in the center of the valve seat or deviates from the specified value:
 - Rework the valve seat.

16.4.27 Checking valve springs



- Check the valve springs for breakage and wear (visual check).
 - If the valve spring is broken or worn:
 - Change the valve spring.
- Measure the length of the valve springs.

Valve spring	
Intake minimum length (without valve spring seat)	40.7 mm (1.602 in)

Valve spring	
Exhaust minimum length (without valve spring seat)	40.7 mm (1.602 in)

- If the measured value does not meet specifications:
 - Change the valve spring.

16.4.28 Checking valve spring seat



- Check the valve spring seat for breakage and wear (visual check).
 - If the valve spring seat is broken or worn:
 - Change the valve spring seat.
- Measure the thickness of the valve spring seat.

Valve spring	
Valve spring seat	1.8 mm (0.071 in)

- If the measured value does not meet specifications:
 - Change the valve spring seat.

16.4.29 Checking the cylinder head



- Check exhaust valve guides ❶ using the special tool.

Limit plug gauge (77029026000) (☞ p. 247)

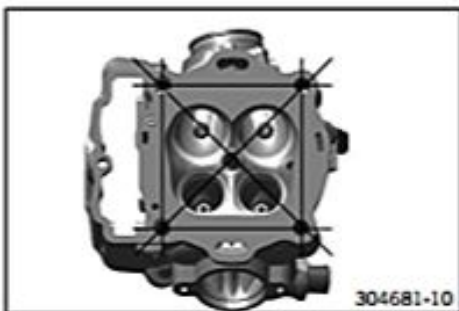
- If the special tool is easy to insert in the valve guide:
 - Change the valve guide and valve.

- Check intake valve guides ❷ using the special tool.

Limit plug gauge (59029026006) (☞ p. 244)

- If the special tool is easy to insert in the valve guide:
 - Change the valve guide and valve.

- Check the sealing area of the spark plug thread and the valve seats from damage and cracking.
 - If there is damage or cracking:
 - Change the cylinder head.



- Using a straightedge and the special tool, check the sealing area of the cylinder for distortion.

Feeler gauge (59029041100) (☞ p. 244)

Cylinder/cylinder head - sealing area distortion	≤ 0.1 mm (≤ 0.004 in)
--	-----------------------

- If the measured value does not meet specifications:
 - Change the cylinder head.



- Check sealing seat **A** of the valves.

Valve	
Intake sealing seat width	2.00 mm (0.0787 in)

Valve	
Exhaust sealing seat width	2.00 mm (0.0787 in)

- If the measured value does not meet specifications:
 - Rework the valve seat.

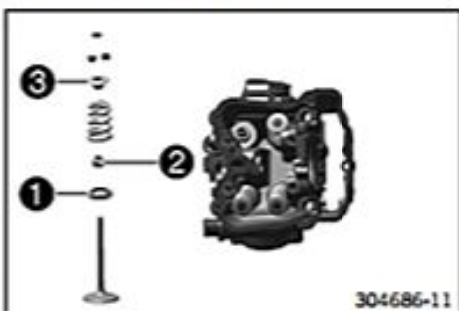
- Blow compressed air through all oil channels and check that they are clear.

16.4.30 Checking the rocker arm shafts



- Check the rocker arm shafts for damage and wear.
 - If there is damage or wear:
 - Change the rocker arm shafts.

16.4.31 Installing the valves



- Position valve spring seats **3**. Install new valve stem seals **1**.
- Mount the valves according to their normal built-in position.
- Mount the springs and spring retainers **2**.



- Pretension the valve springs using the special tool.

Valve spring compressor (59029019000) (☞ p. 244)

Valve spring mounting device (78029060000) (☞ p. 248)



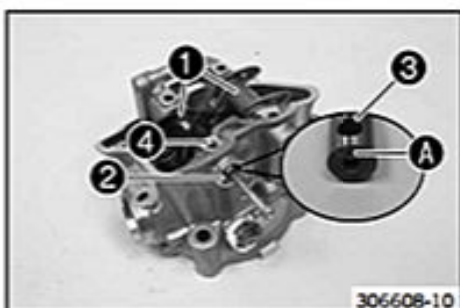
- Mount the valve keys.

**Info**

When mounting the valve keys, check that they are seated correctly; preferably, fix the valve keys to the valve with a little grease.

- Place shims into the valve spring retainers according to the installation position.

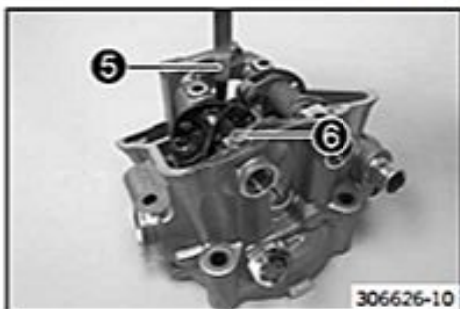
16.4.32 Installing the rocker arm



- Position rocker arm ① and mount rocker arm shaft ②.
- ✓ The rocker arm shaft with marking ③ is installed on the intake side.
- ✓ Markings ④ face upward.

**Info**

Make sure that the tapped hole of the rocker arm shaft is positioned facing outwards.
Align drill holes ④ of the rocker arm shafts with drill holes ④ of the cylinder head.



- Use special tool ⑤ to set the distance of the intake rocker arm.

Guideline

Rocker arm - axial play	0.10 mm (0.0039 in)
Feeler gauge (59029041100) (☛ p. 244)	

- Press the rocker arm shaft of the intake side all the way into the cylinder head.
- Mount and tighten screw ⑥.

Guideline

Screw, rocker arm bearing	M7	15 Nm (11.1 lbf ft)
---------------------------	----	------------------------

- Remove special tool ⑤.

Feeler gauge (59029041100) (☛ p. 244)

- Repeat these operations on the rocker arm of the exhaust side.
- Mount and tighten screws ⑦.

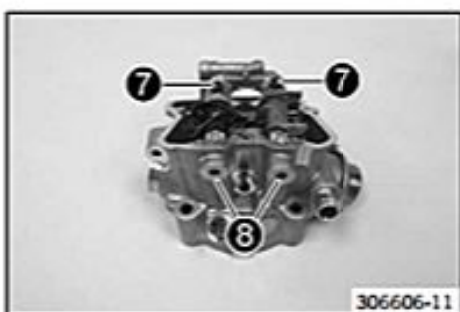
Guideline

Screw, rocker arm bearing	M7	15 Nm (11.1 lbf ft)
---------------------------	----	------------------------

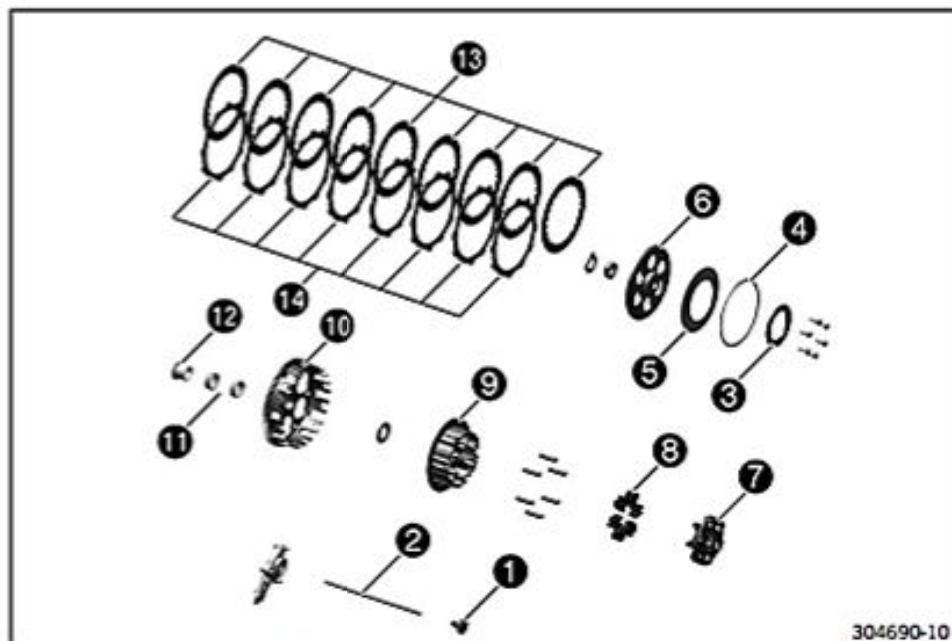
- Mount and tighten screw plugs ⑧ with the O-ring.

Guideline

Screw plug, rocker arm	M18x1.5	30 Nm (22.1 lbf ft)
------------------------	---------	------------------------



16.4.33 Checking the clutch



304690-10

- Check pressure piece ① for damage and wear.
 - If there is damage or wear:
 - Change the pressure piece.
- Place push rod ② on a level surface and check for run-out.
 - If there is run-out:
 - Change the push rod.
- Check spring retainer ③ for damage and wear.
 - If there is damage or wear:
 - Change the spring retainer.
- Check pretension ring ④ for damage and wear.
 - If there is damage or wear:
 - Change the pretension ring.
- Check spring washer ⑤ for damage and wear.
 - If there is damage or wear:
 - Change the spring washer.
- Check the thrust face of pressure cap ⑥ for damage and wear.
 - If there is damage or wear:
 - Change the pressure cap.
- Check clutch center ⑦ for damage and wear.
 - If there is damage or wear:
 - Change the clutch center.
- Check damping rubber ⑧ for damage and wear.
 - If there is damage or wear:
 - Change the damping rubbers.
- Check the inner clutch hub ⑨ for damage and wear.
 - If there is damage or wear:
 - Change the inner clutch hub.
- Check the contact surfaces of the clutch facing disks in outer clutch hub ⑩ for damage and wear.
 - If there is damage or wear:
 - Change the clutch facing discs and the clutch basket.
- Check needle bearings ⑪ and collar bushing ⑫ for damage and wear.
 - If there is damage or wear:
 - Change the needle bearings and collar bushing.

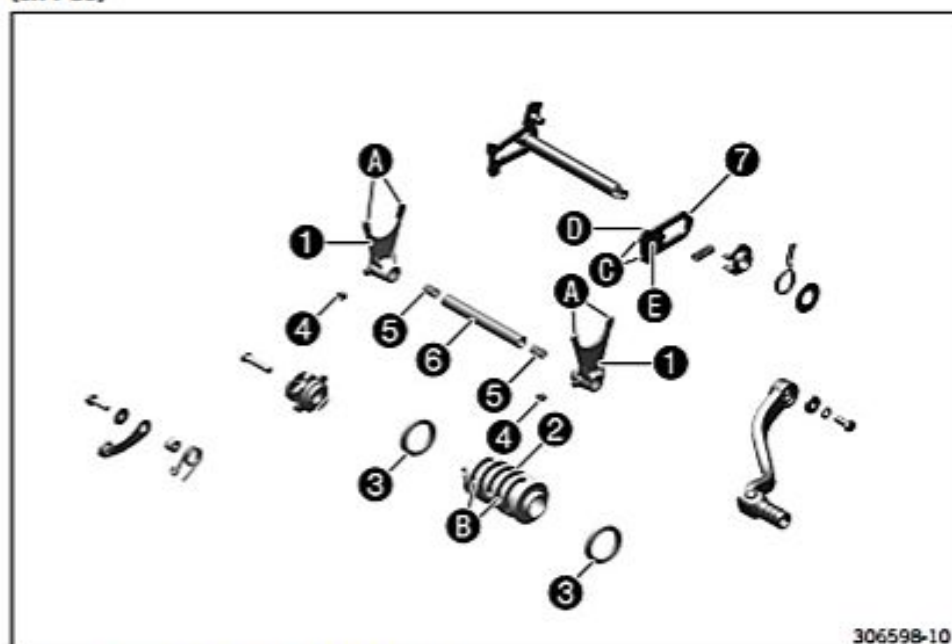
- Check the intermediate clutch discs ❶ for damage and wear.
 - If the intermediate clutch discs are not level and have pittings:
 - Change all intermediate clutch discs.
- Check clutch facing discs ❷ for discoloration and scoring.
 - If there is discoloration or scoring:
 - Change all clutch facing discs.
- Check the thickness of clutch facing discs ❷.

Clutch facing disc - thickness	≥ 1.9 mm (≥ 0.075 in)
--------------------------------	-----------------------

- If the clutch facing disc does not meet specifications:
 - Change all clutch facing discs.

16.4.34 Checking the shift mechanism

(SX-F EU)



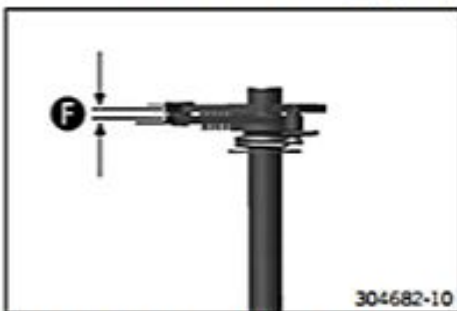
306598-10

- Check shift forks ❶ at leaf ❸ for wear.

Shift fork	
Thickness at leaf	4.85... 4.95 mm (0.1909... 0.1949 in)

- If the measured value does not meet specifications:
 - Change the shift fork.
- Check shift grooves ❸ of shift drum ❷ for wear.
 - If the shift groove is worn:
 - Change the shift drum.
- Check the seat of the shift drum in bearing ❹.
 - If the shift drum is not correctly seated:
 - Change the shift drum and/or bearing.
- Check bearing ❹ for stiffness and wear.
 - If the bearing does not move easily or is worn:
 - Change the bearing.
- Check shift rollers ❺ for surface damage and cracking.
 - If the shift roller exhibits surface damage or cracking:
 - Change the shift drum.
- Check springs ❻ of the shift rails for damage and wear.
 - If the spring is damaged or worn:
 - Change the spring of the shift rail.
- Check shift rails ❼ on a flat surface for run-out.

- If there is run-out:
 - Change the shift rail.
- Check the shift rails for scoring, seizure marks, and stiffness in the shift fork.
 - If the shift rail has scoring, seizure marks, or does not move easily in the shift fork:
 - Change the shift rail.
- Check sliding plate **F** for wear on contact areas **G**.
 - If the sliding plate is worn:
 - Change the sliding plate.
- Check return surface **H** on the sliding plate for wear.
 - If there is severe grooving:
 - Change the sliding plate.
- Check guide bolts **I** for firm seating and wear.
 - If the guide bolts are loose or worn:
 - Change the sliding plate.
- Preassemble the shift shaft. (☞ p. 170)

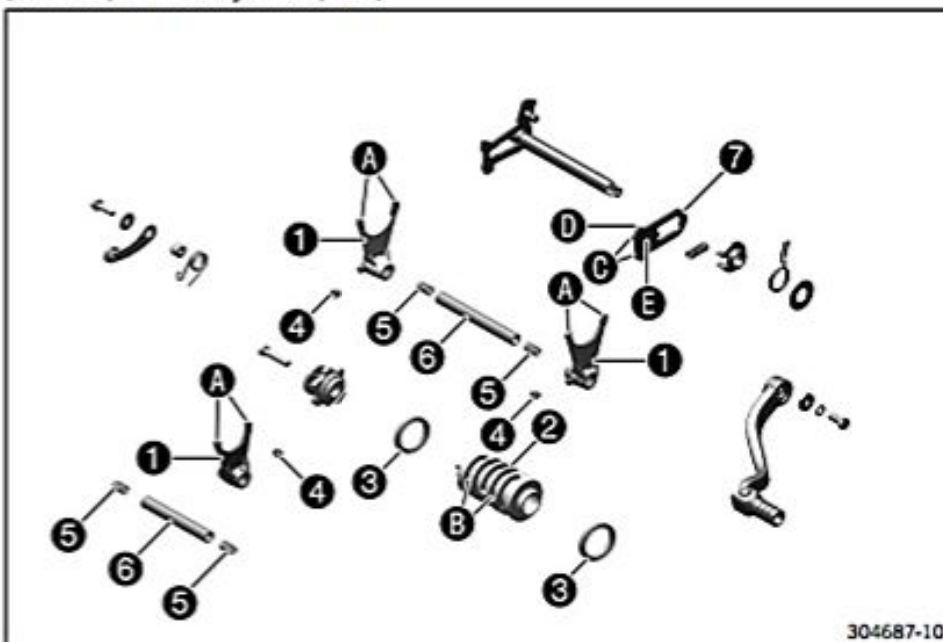


- Check clearance **H** between the sliding plate and the shift quadrant.

Shift shaft - play in sliding plate/shift quadrant	0.4... 0.8 mm (0.016... 0.031 in)
--	-----------------------------------

- If the measured value does not meet specifications:
 - Change the sliding plate.

(SX-F USA, SX-F Factory Edition, XC-F)

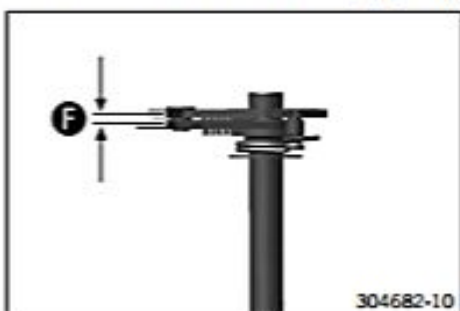


- Check shift forks **1** at leaf **A** for wear.

Shift fork	
Thickness at leaf	4.85... 4.95 mm (0.1909... 0.1949 in)

- If the measured value does not meet specifications:
 - Change the shift fork.
- Check shift grooves **C** of shift drum **2** for wear.
 - If the shift groove is worn:
 - Change the shift drum.
- Check the seat of the shift drum in bearing **3**.
 - If the shift drum is not correctly seated:

- Change the shift drum and/or bearing.
- Check bearing ⑤ for stiffness and wear.
 - If the bearing does not move easily or is worn:
 - Change the bearing.
- Check shift rollers ⑥ for surface damage and cracking.
 - If the shift roller exhibits surface damage or cracking:
 - Change the shift drum.
- Check springs ⑦ of the shift rails for damage and wear.
 - If the spring is damaged or worn:
 - Change the spring of the shift rail.
- Check shift rails ⑧ on a flat surface for run-out.
 - If there is run-out:
 - Change the shift rail.
- Check the shift rails for scoring, seizure marks, and stiffness in the shift fork.
 - If the shift rail has scoring, seizure marks, or does not move easily in the shift fork:
 - Change the shift rail.
- Check sliding plate ⑨ for wear on contact areas ⑩.
 - If the sliding plate is worn:
 - Change the sliding plate.
- Check return surface ⑪ on the sliding plate for wear.
 - If there is severe grooving:
 - Change the sliding plate.
- Check guide bolts ⑫ for firm seating and wear.
 - If the guide bolts are loose or worn:
 - Change the sliding plate.
- Preassemble the shift shaft. (☛ p. 170)



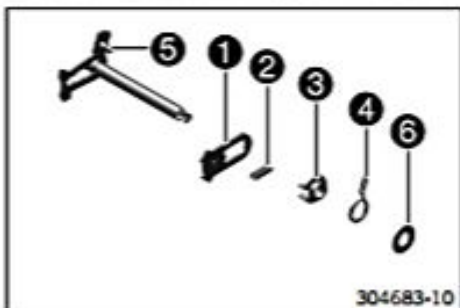
304682-10

- Check clearance ⑬ between the sliding plate and the shift quadrant.

Shift shaft - play in sliding plate/shift quadrant	0.4... 0.8 mm (0.016... 0.031 in)
--	-----------------------------------

- If the measured value does not meet specifications:
 - Change the sliding plate.

16.4.35 Preassembling the shift shaft



304683-10

- Secure the short end of the shift shaft in the bench vise.

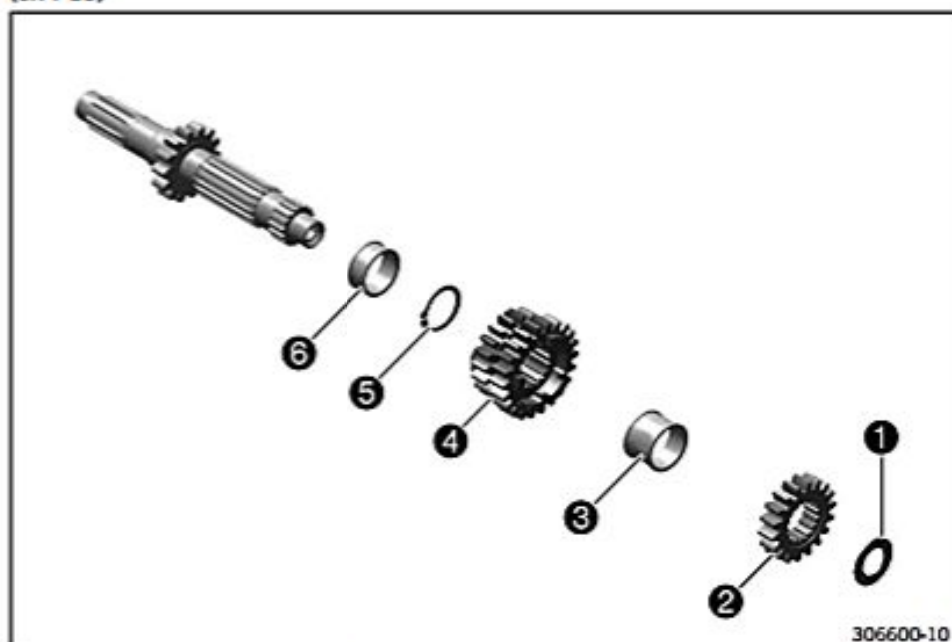
Guideline

Use soft jaws.

- Mount sliding plate ① with the guide pin facing downward and put the guide pin on the shift quadrant.
- Mount pressure spring ⑤.
- Slide on spring guide ③, push return spring ④, with the offset end facing upward, over the spring guide and lift the offset end over abutment bolt ⑥.
- Mount stop disk ⑥.

16.4.36 Disassembling the main shaft

(SX-F EU)



306600-10

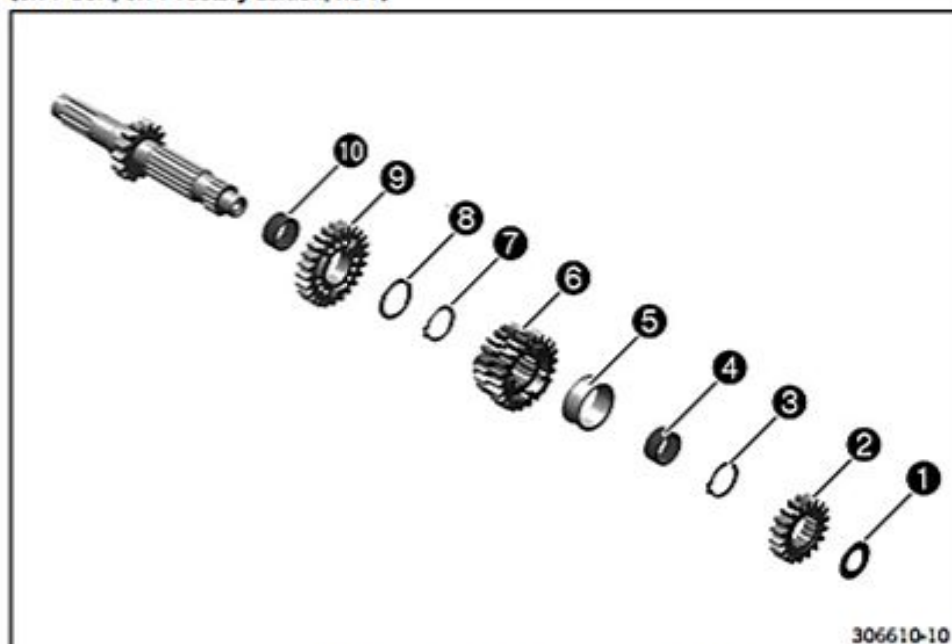
- Secure the main shaft with the toothed end facing downward in the vise.

Guideline

Use soft jaws.

- Remove stop disk ① and 2nd-gear fixed gear ②.
- Remove distance sleeve ③.
- Remove 3rd/4th-gear sliding gear ④.
- Remove lock ring ⑤.
- Remove distance sleeve ⑥.

(SX-F USA, SX-F Factory Edition, XC-F)



306610-10

- Secure the main shaft with the toothed end facing downward in the vise.

Guideline

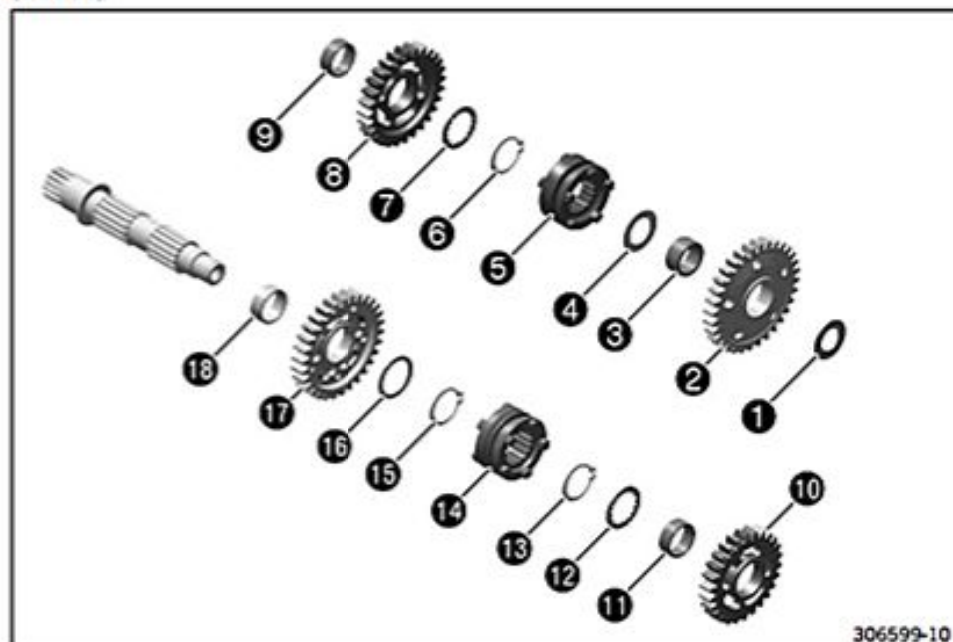
Use soft jaws.

- Remove stop disk ① and 2nd-gear fixed gear ②.
- Remove lock ring ③.

- Remove needle bearing ⑨ and distance sleeve ⑩.
- Remove 3rd/4th-gear sliding gear ⑪.
- Remove lock ring ⑫ and stop disk ⑬.
- Remove 5th-gear idler gear ⑭.
- Remove needle bearing ⑮.

16.4.37 Disassembling the countershaft

(SX-F EU)



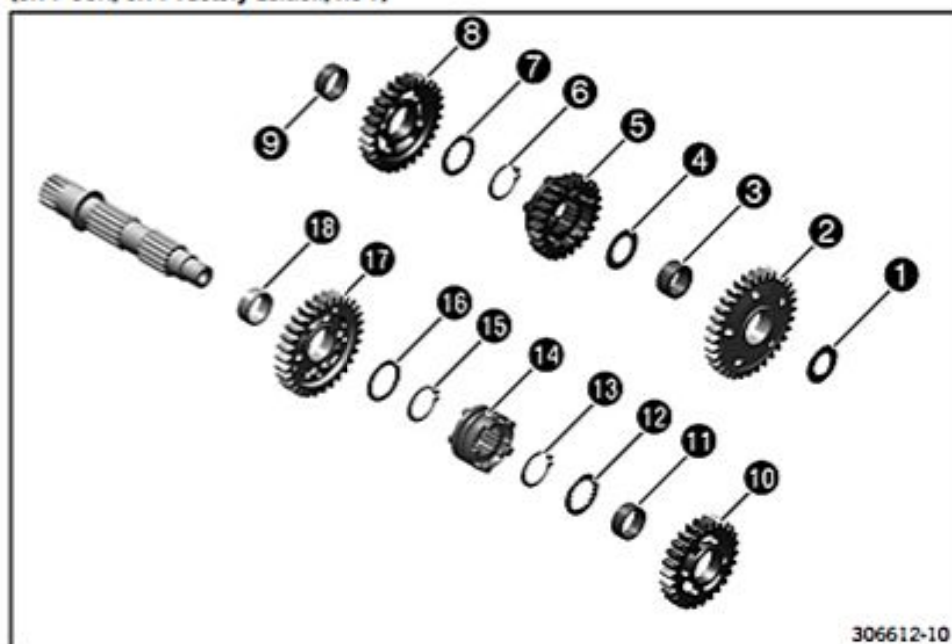
- Fix the countershaft in the vice with the toothed end facing downward.

Guideline

Use soft jaws

- Remove stop disk ① and 1st-gear idler gear ②.
- Remove needle bearing ③ and stop disk ④.
- Remove 1st/3rd-gear shift collar ⑤ and lock ring ⑥.
- Remove stop disk ⑦ and 3rd-gear idler gear ⑧.
- Remove needle bearing ⑨ and 4th-gear idler gear ⑩.
- Remove needle bearing ⑪ and stop disk ⑫.
- Remove lock ring ⑬ and 2nd/4th gear shift collar ⑭.
- Remove lock ring ⑮ and stop disk ⑯.
- Remove 2nd-gear idler gear ⑰ and needle bearing ⑱.

(SX-F USA, SX-F Factory Edition, XC-F)



- Fix the countershaft in the vice with the toothed end facing downward.

Guideline

Use soft jaws

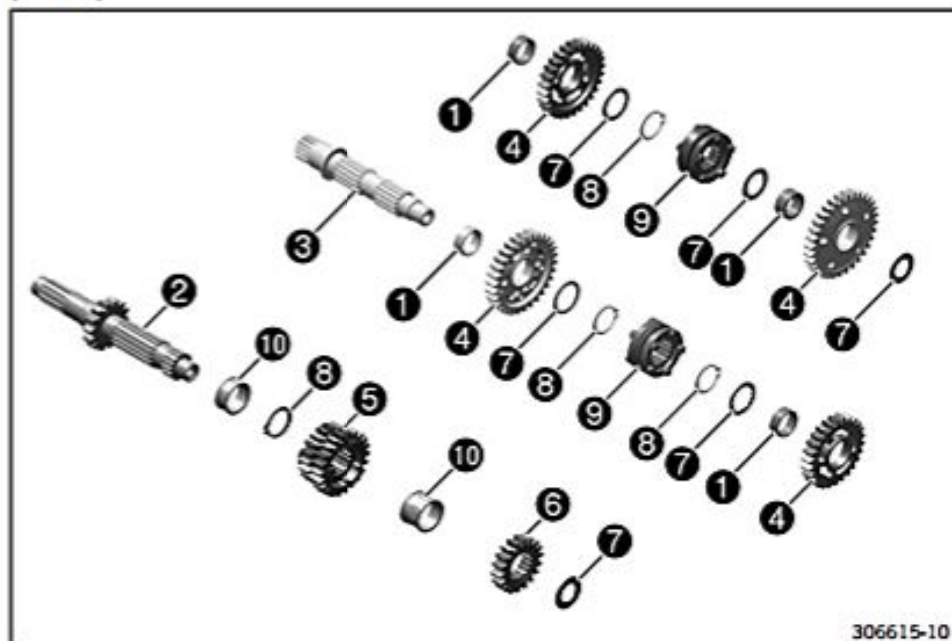
- Remove stop disk ① and 1st-gear idler gear ②.
- Remove needle bearing ③ and stop disk ④.
- Remove 5th-gear sliding gear ⑤ and lock ring ⑥.
- Remove stop disk ⑦ and 3rd-gear idler gear ⑧.
- Remove needle bearing ⑨ and 4th-gear idler gear ⑩.
- Remove needle bearing ⑪ and stop disk ⑫.
- Remove lock ring ⑬ and 2nd/4th gear shift collar ⑭.
- Remove lock ring ⑮ and stop disk ⑯.
- Remove 2nd-gear idler gear ⑰ and needle bearing ⑱.

16.4.38 Checking the transmission

Condition

The transmission has been disassembled.

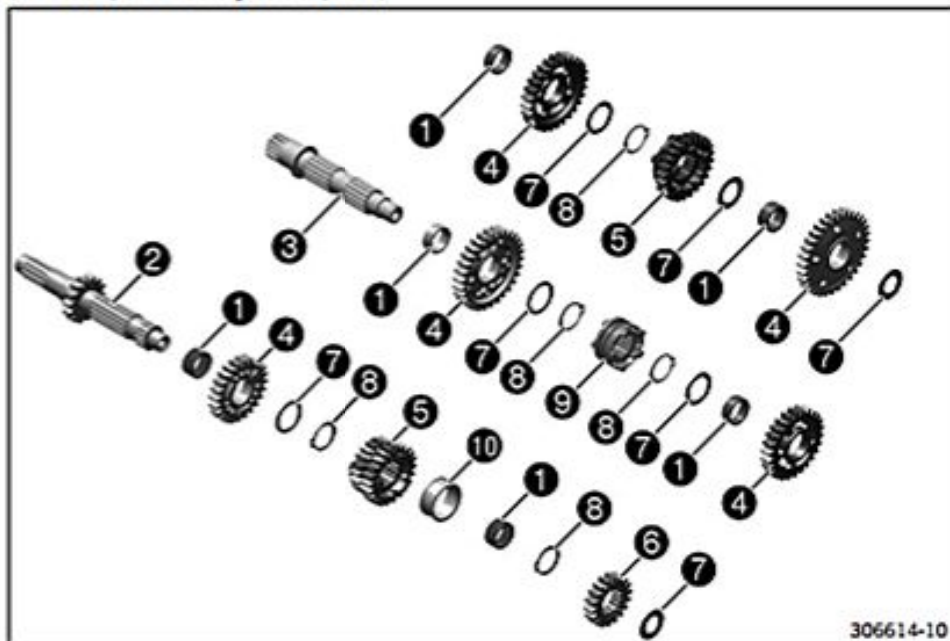
(SX-F EU)



- Check needle bearings ① for damage and wear.
 - If there is damage or wear:
 - Change the needle bearings.
- Check the pivot points of main shaft ② and countershaft ③ for damage and wear.
 - If there is damage or wear:
 - Change the main shaft and/or countershaft.
- Check the tooth profiles of main shaft ② and countershaft ③ for damage and wear.
 - If there is damage or wear:
 - Change the main shaft and/or countershaft.
- Check the pivot points of idler gears ④ for damage and wear.
 - If there is damage or wear:
 - Change the gear wheel pair.
- Check the shift dogs of idler gears ④, of shift collars ⑤, and of sliding gear ⑥ for damage and wear.
 - If there is damage or wear:
 - Change the gear wheel pair or shift collar.
- Check the tooth faces of idler gears ④, of sliding gear ⑥, and of fixed gear ⑦ for damage and wear.
 - If there is damage or wear:
 - Change the gear wheel pair.
- Check the tooth profiles of sliding gear ⑥ for damage and wear.
 - If there is damage or wear:
 - Change the gear wheel pair.
- Check sliding gear ⑥ for smooth operation in the profile of main shaft ②.
 - If the sliding gear does not move freely:
 - Change the sliding gear or the main shaft.
- Check shift collars ⑤ for damage and wear.
 - If there is damage or wear:
 - Change the shift collars.
- Check shift collars ⑤ for smooth operation in the profile of the countershaft ③.
 - If the shift collar is stiff:
 - Change the shift collar or countershaft.
- Check stop disks ⑧ for damage and wear.
 - If there is damage or wear:
 - Change the stop disks.
- Use new lock rings ⑨ with every repair.

- Check distance sleeves ① for damage and wear.
 - If there is damage or wear:
 - Change the distance sleeves.

(SX-F USA, SX-F Factory Edition, XC-F)



- Check needle bearings ① for damage and wear.
 - If there is damage or wear:
 - Change the needle bearings.
- Check the pivot points of main shaft ② and countershaft ③ for damage and wear.
 - If there is damage or wear:
 - Change the main shaft and/or countershaft.
- Check the tooth profiles of main shaft ② and countershaft ③ for damage and wear.
 - If there is damage or wear:
 - Change the main shaft and/or countershaft.
- Check the pivot points of idler gears ④ for damage and wear.
 - If there is damage or wear:
 - Change the gear wheel pair.
- Check the shift dogs of idler gears ④ and sliding gears ⑤ for damage and wear.
 - If there is damage or wear:
 - Change the gear wheel pair.
- Check the tooth faces of idler gears ④, sliding gears ⑤, and fixed gear ⑥ for damage and wear.
 - If there is damage or wear:
 - Change the gear wheel pair.
- Check the tooth profiles of sliding gears ⑤ for damage and wear.
 - If there is damage or wear:
 - Change the gear wheel pair.
- Check sliding gear ⑤ for smooth operation in the profile of main shaft ②.
 - If the sliding gear does not move freely:
 - Change the sliding gear or the main shaft.
- Check shift collar ⑦ for damage and wear.
 - If there is damage or wear:
 - Change the shift collar.
- Check sliding gear ⑤ and shift collar ⑦ for smooth operation in the profile of countershaft ③.
 - If the sliding gear or shift collar is stiff:
 - Change the sliding gear, shift collar, or countershaft.
- Check stop disks ⑧ for damage and wear.

- If there is damage or wear:
 - Change the stop disks.
- Use new lock rings ② with every repair.
- Check distance sleeves ① for damage and wear.
 - If there is damage or wear:
 - Change the distance sleeves.

16.4.39 Assembling the main shaft



Info

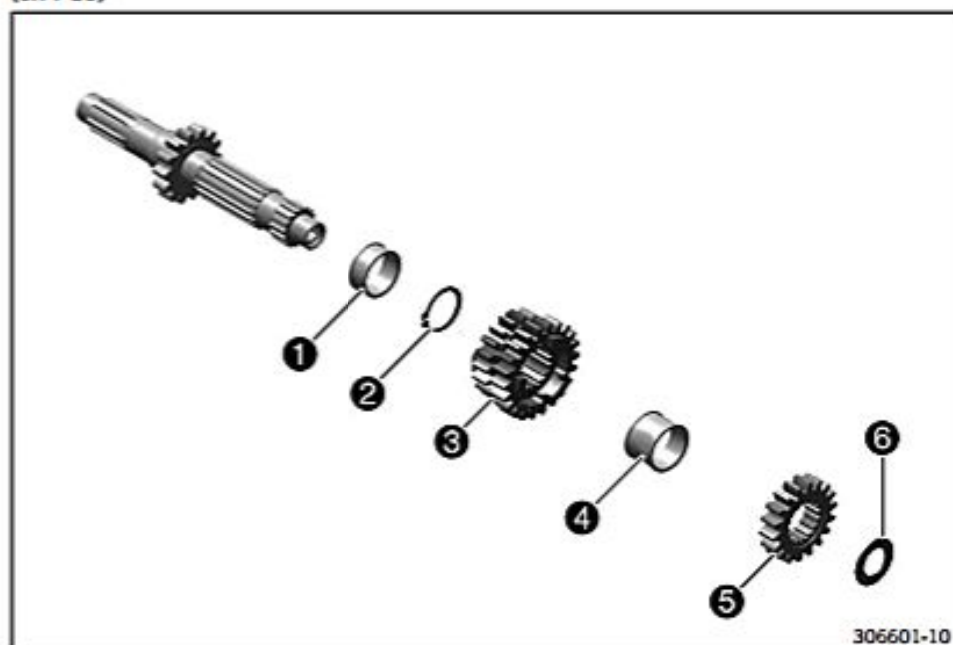
Use new lock rings with every repair.

Preparatory work

- Carefully grease all parts before assembling.
- Check the transmission. (☛ p. 173)

Main work

(SX-F EU)



306601-10

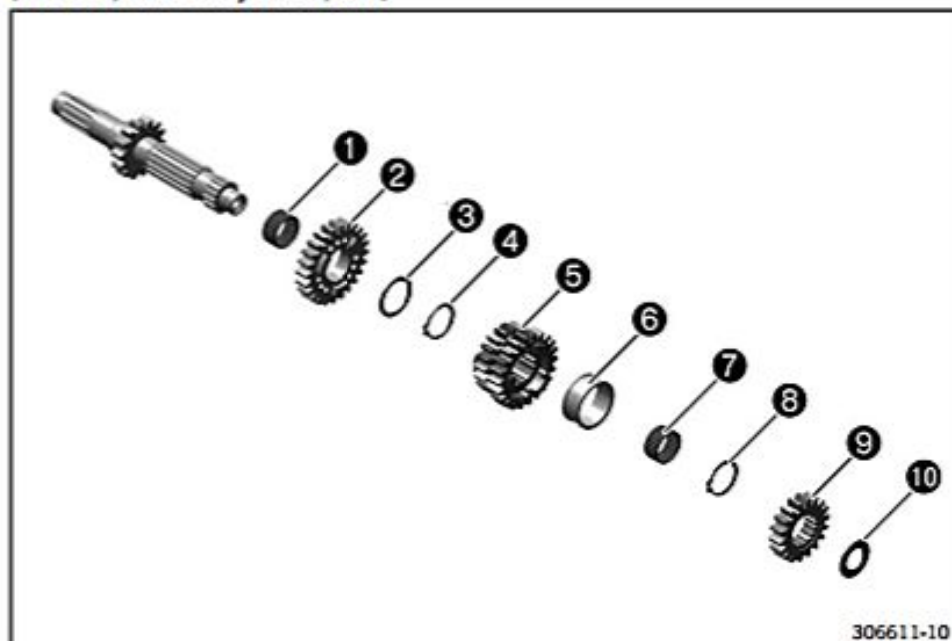
- Secure the main shaft with the toothed end facing downward in the vise.

Guideline

Use soft jaws

- Mount distance sleeve ① and lock ring ②.
- Mount 3rd/4th-gear sliding gear ③ with the small gear wheel facing downward.
- Mount distance sleeve ④.
- Attach 2nd-gear fixed gear ⑤ with the collar facing downward and stop disk ⑥.
- Finally, check all gear wheels for smooth operation.

(SX-F USA, SX-F Factory Edition, XC-F)



306611-10

- Secure the main shaft with the toothed end facing downward in the vise.

Guideline

Use soft jaws

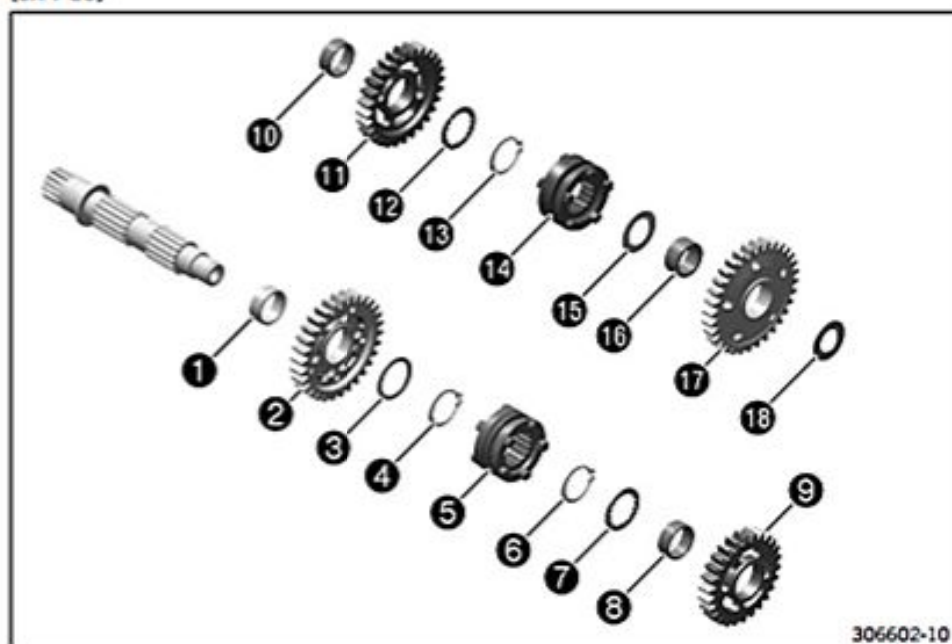
- Mount needle bearing ①, attach 5th-gear idler gear ② with the shift dogs facing upward.
- Mount stop disk ③ and lock ring ④.
- Mount 3rd/4th-gear sliding gear ⑤ with the small gear wheel facing downward.
- Mount distance sleeve ⑥ and needle bearing ⑦.
- Mount lock ring ⑧.
- Mount 2nd-gear fixed gear ⑨ with the collar facing downward and stop disk ⑩.
- Finally, check all gear wheels for smooth operation.

16.4.40 Assembling the countershaft**Info**

Use new lock rings with every repair.

Preparatory work

- Carefully grease all parts before assembling.
- Check the transmission. (☛ p. 173)

Main work
(SX-F EU)

306602-10

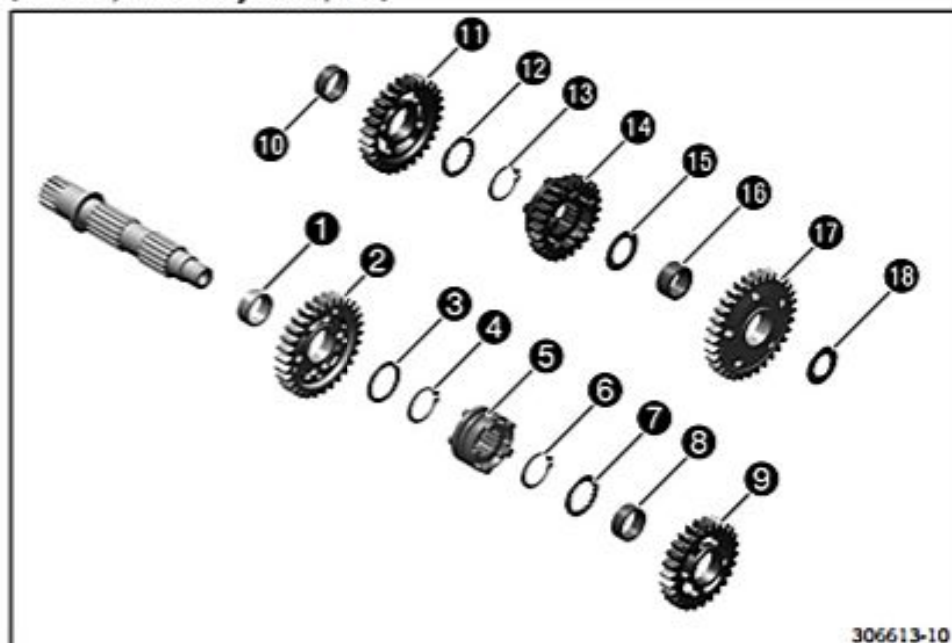
- Fix the countershaft in the vice with the toothed end facing downward.

Guideline

Use soft jaws

- Mount needle bearing ② and 2nd-gear idler gear ③ onto the countershaft with the protruding collar facing downward.
- Mount stop disk ④ and lock ring ⑤.
- Mount 2nd/4th gear shift collar ⑥ with the shift groove facing up.
- Mount lock ring ⑦ and stop disk ⑧.
- Mount needle bearing ⑨ and the 4th-gear idler gear ⑩ with the collar facing up.
- Mount needle bearing ⑪ and the 3rd-gear idler gear ⑫ with the collar facing down.
- Mount stop disk ⑬ and lock ring ⑭.
- Mount the 1st/3rd-gear shift collar ⑮ with the shift groove facing downward and stop disk ⑯.
- Mount needle bearing ⑰, 1st-gear idler gear ⑱ with the recess facing down and stop disk ⑲.
- Finally, check all gear wheels for smooth operation.

(SX-F USA, SX-F Factory Edition, XC-F)



306613-10

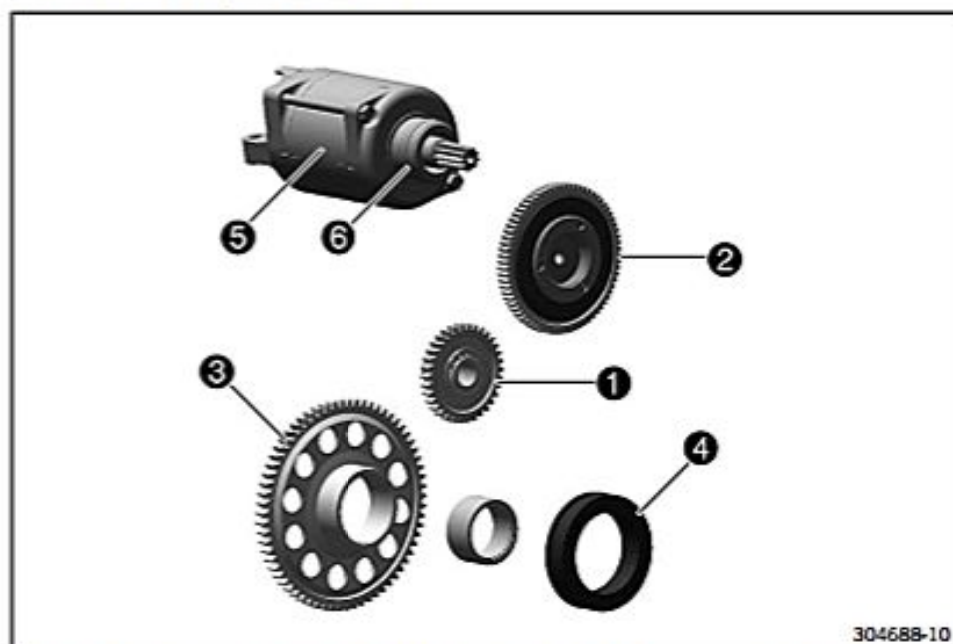
- Fix the countershaft in the vice with the toothed end facing downward.

Guideline

Use soft jaws

- Mount needle bearing ① and 2nd-gear idler gear ② onto the countershaft with the protruding collar facing downward.
- Mount stop disk ③ and lock ring ④.
- Mount 2nd/4th gear shift collar ⑤ with the shift groove facing up.
- Mount lock ring ⑥ and stop disk ⑦.
- Mount needle bearing ⑧ and the 4th-gear idler gear ⑨ with the collar facing up.
- Mount needle bearing ⑩ and the 3rd-gear idler gear ⑪ with the collar facing down.
- Mount stop disk ⑫ and lock ring ⑬.
- Mount the 5th-gear sliding gear ⑭ with the shift groove facing down and stop disk ⑮.
- Mount needle bearing ⑯, 1st-gear idler gear ⑰ with the recess facing down and stop disk ⑱.
- Finally, check all gear wheels for smooth operation.

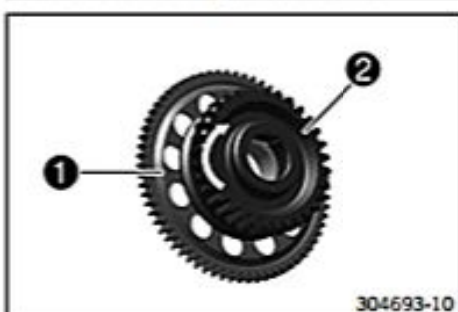
16.4.41 Checking the starter drive



304688-10

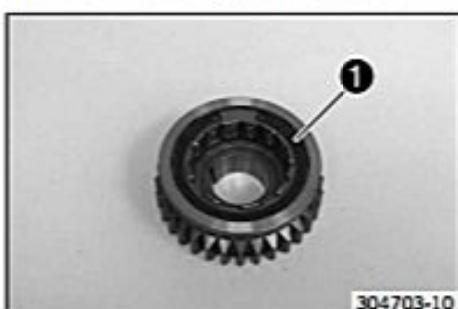
- Check the gear mesh and bearing of starter idler gear ① for damage and wear.
 - If there is damage or wear:
 - Change the starter idler gear.
- Check the gear mesh and bearing of torque limiter ② for damage and wear.
 - If there is damage or wear:
 - Change the torque limiter.
- Check the gear mesh and bearing of freewheel gear ③ for damage and wear.
 - If there is damage or wear:
 - Change the freewheel gear or bearing.
- Check freewheel ④ for damage and wear when it is disassembled.
 - If there is damage or wear:
 - Change the freewheel.
- Check the gear mesh of starter motor ⑤ for damage and wear.
 - If there is damage or wear:
 - Change the starter motor.
- Change the O-ring ⑥ of the starter motor.
- Connect the negative cable of a 12 volt power supply to the housing of the starter motor. Connect the positive cable of the power supply briefly with connector of the starter motor.
 - If the starter motor does not turn when the circuit is closed:
 - Change the starter motor.

16.4.42 Checking the freewheel

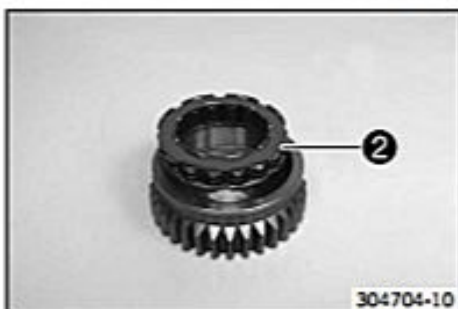


- Insert freewheel gear ① into primary gear ②, turning the primary gear clockwise; do not wedge!
- Check the locking action of freewheel gear ①.
 - If the primary gear does not turn clockwise or if it does not lock counterclockwise:
 - Remove the freewheel. (↖ p. 180)
 - Turn the freewheel 180°.
 - Install the freewheel. (↖ p. 180)

16.4.43 Removing the freewheel



- Press expansion ring ① together with suitable pliers and take off.



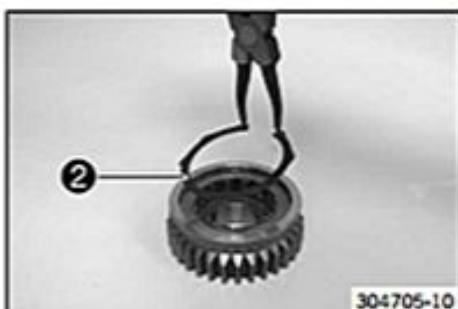
- Take the freewheel ② out of the primary gear.

16.4.44 Installing the freewheel

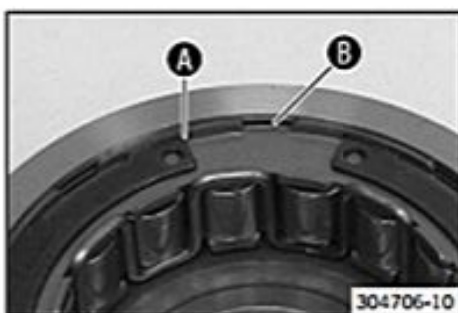


- Thoroughly oil all parts.
- Push the freewheel ① into the primary gear.

i Info
Note the direction of rotation.



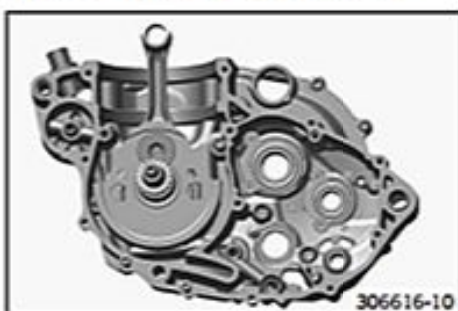
- Mount spreader ring ②.



- Ensure that all lugs of the spreader ring pass through slots **A** of the freewheel and engage in groove **B** of the primary gear.

16.5 Engine assembly

16.5.1 Installing the crankshaft



- Tighten the right section of the engine case in the engine assembly stand.
- Heat the crankshaft bearing.

Guideline

80 °C (176 °F)



Info

Do not damage the seal ring.

- Mount the special tool on the clutch end of the crankshaft.

Mounting sleeve (78029005000) (☞ p. 248)

- Push the crankshaft all the way into the bearing seat of the right section of the engine case.
- Remove the special tool.

16.5.2 Installing the transmission shafts



(SX-F EU)

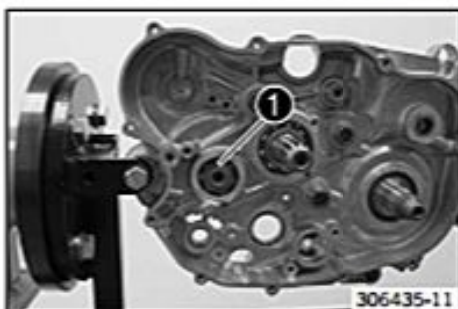
- Lubricate all bearings.
- Slide both transmission shafts into the bearing seats.



Info

Make sure not to misplace the washers.

- Mount lock ring **1**.



(SX-F USA, SX-F Factory Edition, XC-F)

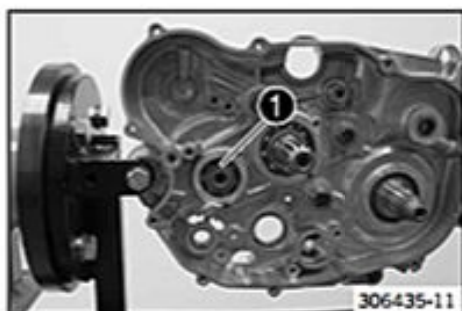
- Lubricate all bearings.
- Slide both transmission shafts into the bearing seats.



Info

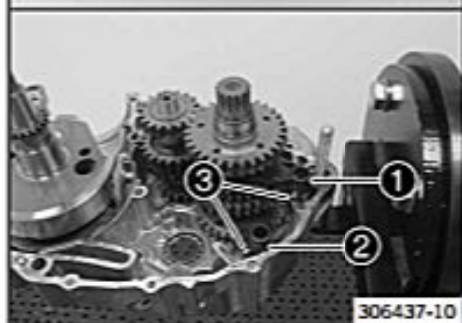
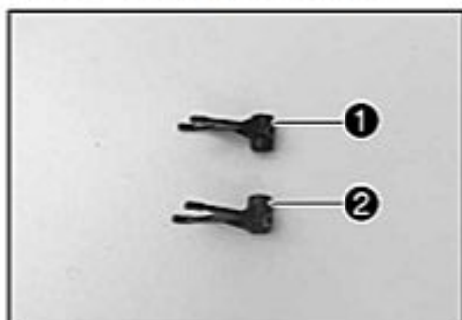
Make sure not to misplace the washers.





- Mount lock ring ❶.

16.5.3 Installing the shift forks



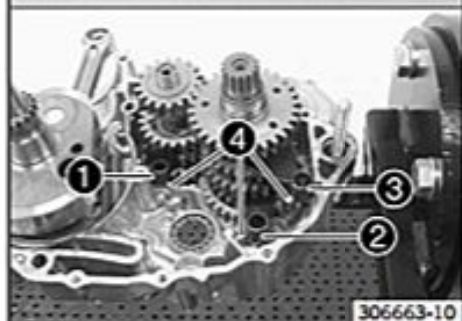
(SX-F EU)

- Lubricate all parts thoroughly.
- Mount shift fork ❶ in the upper shift groove of the countershaft.
- Mount shift fork ❷ in the lower shift groove of the countershaft.
- Slide on shift rollers ❸.



Info

Fix the shift rollers in the shift forks with grease.



(SX-F USA, SX-F Factory Edition, XC-F)

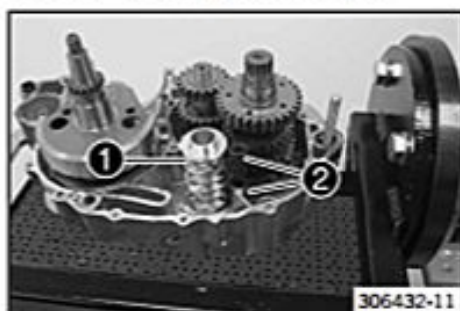
- Lubricate all parts thoroughly.
- Mount shift fork ❶ in the upper shift groove of the main shaft.
- Mount shift fork ❷ in the lower shift groove of the countershaft.
- Mount shift fork ❸ in the upper shift groove of the countershaft.
- Mount shift rollers ❹.



Info

Fix the shift rollers in the shift forks with grease.

16.5.4 Installing the shift drum



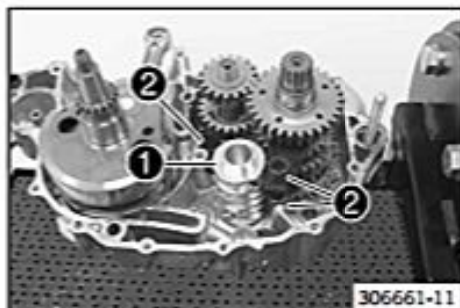
(SX-F EU)

- Push shift drum ❶ into the bearing seat.
- Put shift forks ❷ in the shift drum.



Info

Do not misplace the shift rollers.



(SX-F USA, SX-F Factory Edition, XC-F)

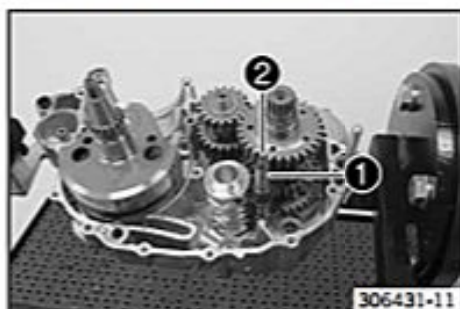
- Push shift drum ❶ into the bearing seat.
- Put shift forks ❷ in the shift drum.



Info

Do not misplace the shift rollers.

16.5.5 Installing the shift rails



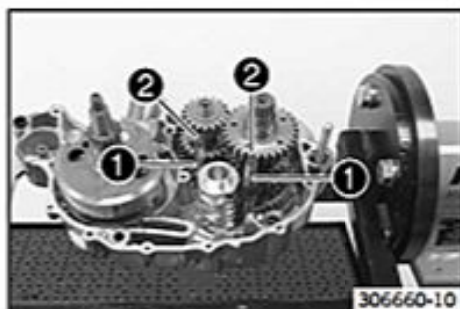
(SX-F EU)

- Install shift rail ❶ together with upper spring ❷ and the lower spring.



Info

Fix the springs in the shift rail with grease.



(SX-F USA, SX-F Factory Edition, XC-F)

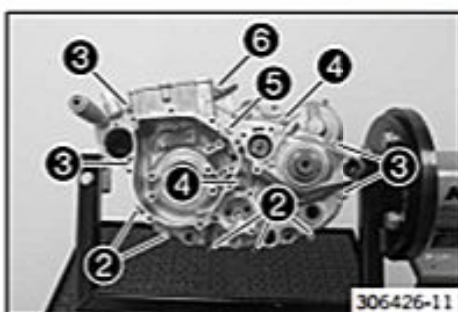
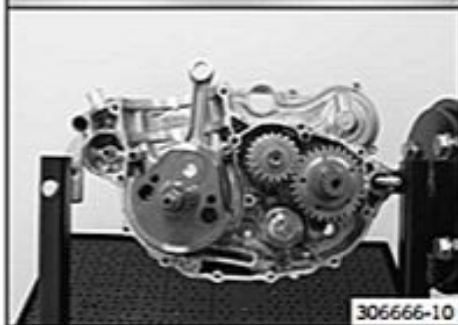
- Install shift rails ❶ together with upper springs ❷ and lower springs.



Info

Fix the springs in the shift rails with grease.

16.5.6 Installing the left engine case

**(SX-F EU)**

- Mount dowels ① onto the left section of the engine case.
- Grease the sealing surfaces. Apply the sealing compound to the left section of the engine case.

Loctite® 5910

**Info**

To prevent sealing compound from entering into the oil channels, dowels ① must be mounted first.

(SX-F USA, SX-F Factory Edition, XC-F)

- Mount dowels ① onto the left section of the engine case.
- Grease the sealing surfaces. Apply the sealing compound to the left section of the engine case.

Loctite® 5910

**Info**

To prevent sealing compound from entering into the oil channels, dowels ① must be mounted first.

- Mount the left engine casing. If necessary, strike it lightly with a rubber mallet.

**Info**

Do not use the screws to pull the two sections of the engine case together.

- Mount screws ② but do not tighten them yet.

Guideline

Screw, engine case	M6x40	10 Nm (7.4 lbf ft)
--------------------	-------	--------------------

- Mount screws ③ but do not tighten them yet.

Guideline

Screw, engine case	M6x60	10 Nm (7.4 lbf ft)
--------------------	-------	--------------------

- Mount screws ④ but do not tighten them yet.

Guideline

Screw, engine case	M6x75	10 Nm (7.4 lbf ft)
--------------------	-------	--------------------

- Mount screw ⑤ but do not tighten yet.

Guideline

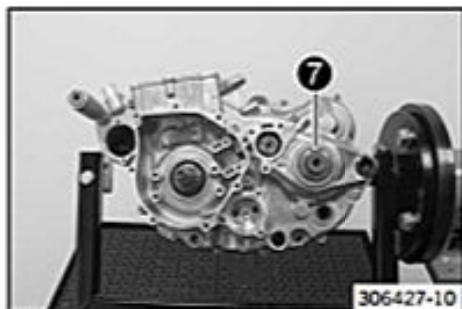
Screw, engine case	M6x80	10 Nm (7.4 lbf ft)
--------------------	-------	--------------------

- Mount screw ⑦ and tighten all screws in a crisscross pattern.

Guideline

Screw, engine case	M6x85	10 Nm (7.4 lbf ft)
--------------------	-------	--------------------

- Mount the O-ring on the countershaft.
- Lightly grease and mount spacer ⑦.

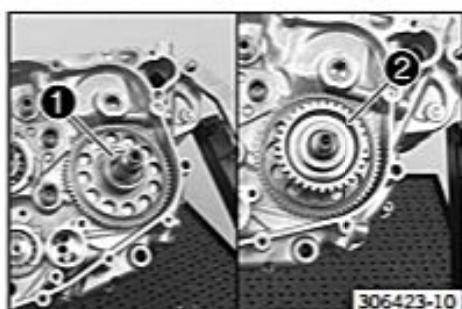


16.5.7 Installing the freewheel gear



- Mount freewheel gear ①.

16.5.8 Installing the primary gear



- Mount spring washer ①.
- Degrease the cone and thinly apply thread locker to it.

Loctite® 648™

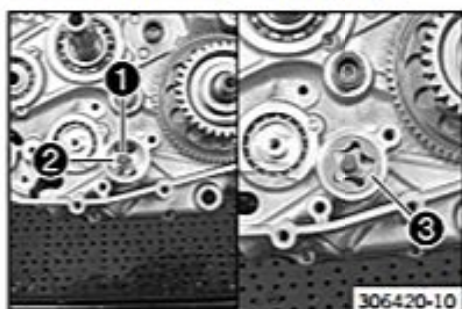
- Mount primary gear ②.



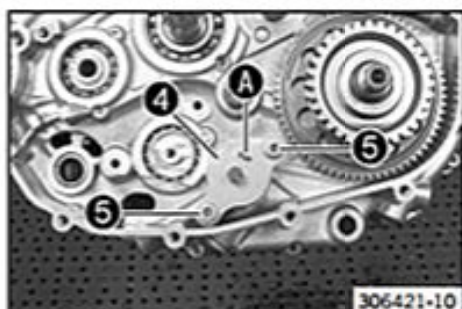
Info

Turn the freewheel gear to ease engagement.

16.5.9 Installing the force pump



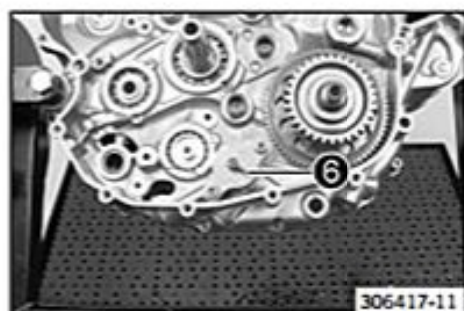
- Oil the oil pump shaft, internal rotor and external rotor before assembly.
- Mount oil pump shaft ①.
- Mount pin ②.
- Mount the internal rotor with the recess facing inward.
- Mount external rotor ③ with the bevel facing inward.



- Position oil pump cover ④.
- ✓ The Top marking ④ faces up.
- Mount and tighten screws ⑤.

Guideline

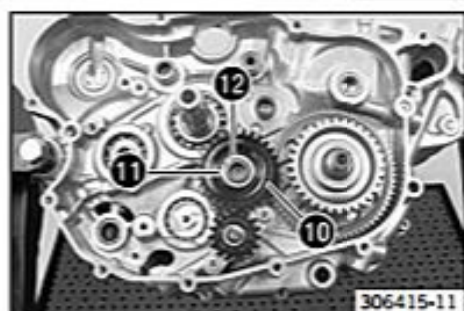
Screw, pressure pump cover	M6	10 Nm (7.4 lbf ft)	Loctite® 243™
----------------------------	----	--------------------	---------------



- Insert pin ⑥.

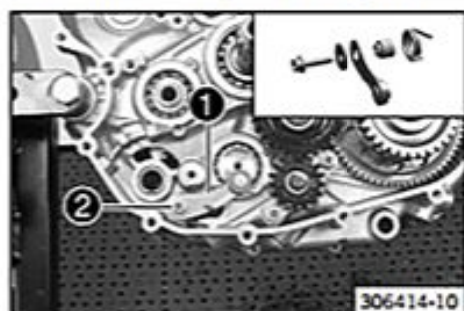


- Position oil pump gear wheel ⑦.
- Position washers ⑧.
- Mount lock washer ⑨.



- Mount oil pump idler gear ⑩.
- Mount washer ⑪ and lock ring ⑫.
- Crank the oil pump gear wheels and ensure that they can move easily.

16.5.10 Installing the locking lever

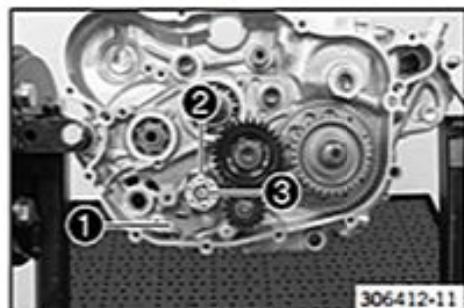


- Mount locking lever ① with the washer, sleeve and spring.
- Mount and tighten screw ②.

Guideline

Screw, locking lever	M5	6 Nm (4.4 lbf ft)	Loctite® 243™
----------------------	----	----------------------	---------------

16.5.11 Installing the shift drum locating unit



- Push away locking lever ① from the shift drum locating unit and position the shift drum locating unit ②.

i Info

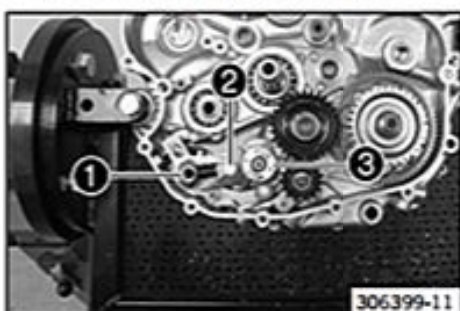
The flat areas of the shift drum locating unit are not symmetric.

- Relieve tension from the locking lever.
- Mount and tighten screw ③.

Guideline

Screw, shift drum locating	M6	10 Nm (7.4 lbf ft)	Loctite® 243™
----------------------------	----	-----------------------	---------------

16.5.12 Installing the shift shaft



- Slide shift shaft ❶ with the washer into the bearing seat.
- Push sliding plate ❷ away from the shift drum locating unit and insert the shift shaft all the way.
- Let the sliding plate engage in the shift drum locating unit ❸.
- Shift through the transmission.

16.5.13 Installing the starter idler gear



- Slide on starter idler gear ❶ with the collar facing the engine case.
- Position the washer and mount the lock ring.

16.5.14 Installing the torque limiter

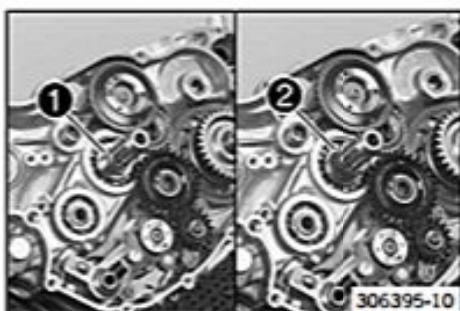


- Position the washer.
- Mount the torque limiter.
- Mount and tighten screw ❶ with the washer.

Guideline

Screw, bearing bolt, torque limiter	M6	10 Nm (7.4 lbf ft)	Loctite® 243™
-------------------------------------	----	-----------------------	---------------

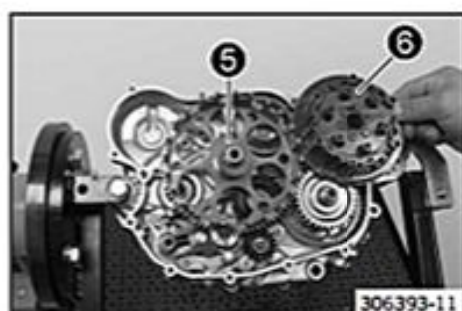
16.5.15 Installing the outer clutch hub



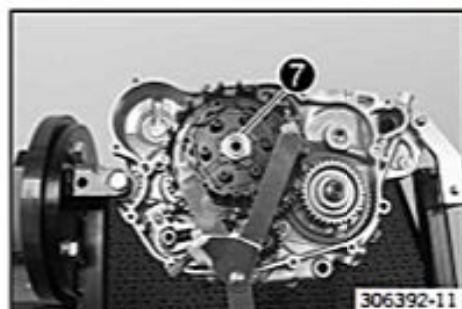
- Mount collar bushing ❶ and both needle bearings ❷.



- Slide the outer clutch hub ❸ onto the gearbox main shaft.
- Turn oil pump gear wheel ❹ until the gear teeth of the clutch basket engage.



- Slide on washer ⑤ and inner clutch hub ⑥.



- Position the new lock washer and mount nut ⑦. Tighten the nut, holding the inner clutch hub with a special tool.

Guideline

Nut, inner clutch hub	M18x1.5	80 Nm (59 lbf ft)
-----------------------	---------	-------------------

Clutch holder (51129003000) (☛ p. 243)

- Secure the nut with the lock washer.



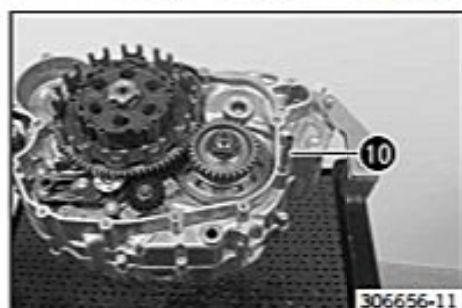
- Lock the outer clutch hub and primary gear using special tool ⑧.

Gear quadrant (80029004000) (☛ p. 249)

- Mount and tighten nut ⑨.

Guideline

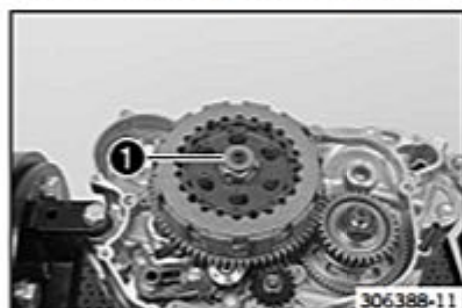
Nut, primary gear	M20LHx1.5	100 Nm (73.8 lbf ft)	Loctite® 648™
-------------------	-----------	-------------------------	---------------



- Set the crankshaft to top dead center and lock it with special tool ⑩.

Locking screw (113080802) (☛ p. 242)

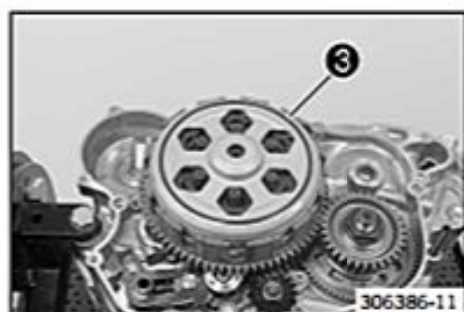
16.5.16 Installing the clutch discs



- Thoroughly oil the clutch facing discs.
- Beginning with an intermediate clutch disc, alternately insert all other clutch facing discs and intermediate clutch discs into the outer clutch hub.
- Mount pressure piece ①.



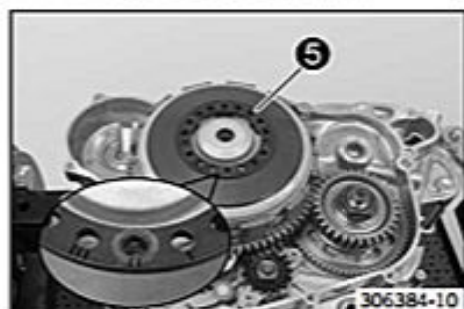
- Position pressure cap ②.



- Mount pretension ring ③ with the **Top** marking facing up.



- Position spring washer ④.



- Position spring retainer ⑤ with the **I** marking.



- Install the screws ⑥ and tighten them diagonally.

Guideline

Screw, clutch spring retainer	M5	6 Nm (4.4 lbf ft)
-------------------------------	----	-------------------



- Using a straightedge and the special tool, check the spring washer for distortion.

Feeler gauge (59029041100) (☛ p. 244)

Spring washer distortion	0... 0.10 mm (0... 0.0039 in)
--------------------------	-------------------------------

- If the specified value is not reached:
 - Remove screws ⑥ and mount spring retainer with marking **II**.
- Using a straightedge and the special tool, check the spring washer for distortion.

Feeler gauge (59029041100) (☛ p. 244)

Spring washer distortion	0... 0.10 mm (0... 0.0039 in)
--------------------------	-------------------------------

- If the specified value is not reached:
 - Remove screws ⑥ and mount spring retainer with marking **III**.
- Using a straightedge and the special tool, check the spring washer for distortion.

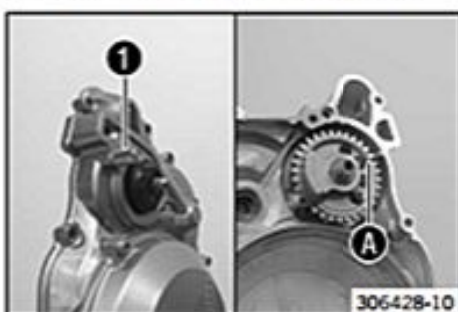
Feeler gauge (59029041100) (☛ p. 244)

Spring washer distortion	0... 0.10 mm (0... 0.0039 in)
--------------------------	-------------------------------

- If the specified value is not reached:
 - Change the clutch facing discs.



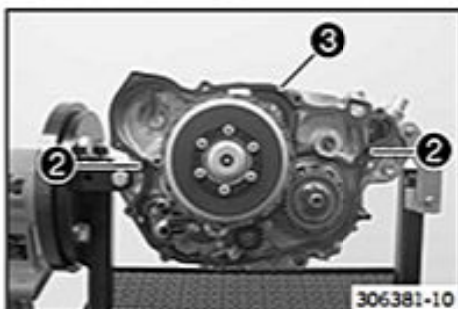
16.5.17 Installing the clutch cover



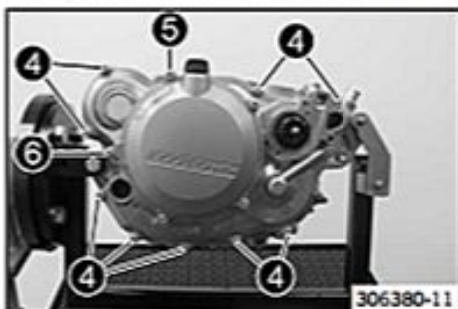
- Position the balancer shaft with special tool ❶.

Fixing drift (78129032000) (☞ p. 249)

- ✓ Marking ❶ and the special tool are aligned.



- Mount dowels ❷ and position the clutch cover gasket ❸.



- Mount the clutch cover.
- Mount screws ❹ but do not tighten them yet.

Guideline

Screw, clutch cover	M6x25	10 Nm (7.4 lbf ft)
---------------------	-------	--------------------

- Mount screw ❺ but do not tighten yet.

Guideline

Screw, clutch cover	M6x55	10 Nm (7.4 lbf ft)
---------------------	-------	--------------------

- Mount screw ❻ and tighten all screws in a crisscross pattern.

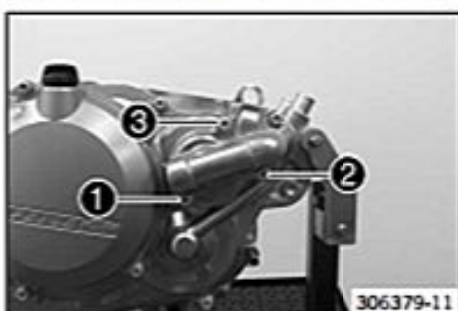
Guideline

Screw, clutch cover	M6x30	10 Nm (7.4 lbf ft)
---------------------	-------	--------------------

- Remove the special tool.

Fixing drift (78129032000) (☞ p. 249)

16.5.18 Installing the water pump cover



- Put the water pump cover seal in place.
- Mount the water pump cover.
- Mount screw ❶ with the sealing washer but do not tighten yet.

Guideline

Screw, water pump cover	M6x25	10 Nm (7.4 lbf ft)
-------------------------	-------	--------------------

- Mount screw ❷ but do not tighten yet.

Guideline

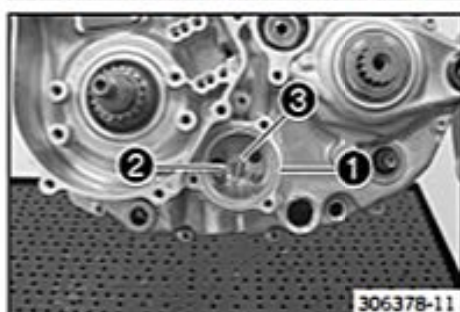
Screw, water pump cover	M6x25	10 Nm (7.4 lbf ft)
-------------------------	-------	--------------------

- Mount screw ❸ and tighten all screws in a crisscross pattern.

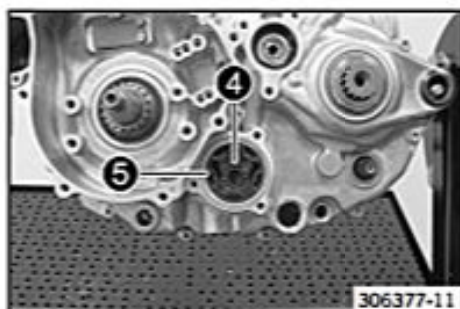
Guideline

Screw, water pump cover	M6x55	10 Nm (7.4 lbf ft)
-------------------------	-------	--------------------

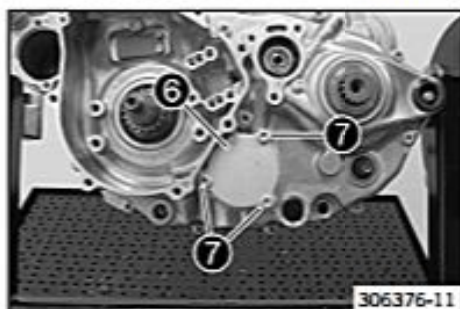
16.5.19 Installing the suction pump



- Oil the internal rotor and external rotor before mounting.
- Insert O-ring ①.
- Position pin ② into the oil pump shaft from above.
- Position pin ③.



- Mount internal rotor ④ and external rotor ⑤.
- ✓ The rounded sides of the external rotor face the engine case.



- Position oil pump cover ⑥. Mount and tighten screws ⑦.

Guideline

Screw, suction pump cover	M5	6 Nm (4.4 lbf ft)	Loctite® 243™
---------------------------	----	----------------------	---------------

16.5.20 Installing the ignition pulse generator



- Position the ignition pulse generator.



Info

Use the middle drill hole pair.

- Mount and tighten screws ①.

Guideline

Screw, crankshaft position sensor	M5	6 Nm (4.4 lbf ft)	Loctite® 243™
-----------------------------------	----	----------------------	---------------

- Position the cable and insert the cable sleeve into the engine case.

16.5.21 Installing the timing chain

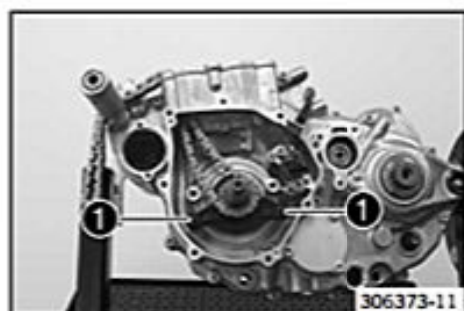


- Thread in the timing chain and place it over the timing chain sprocket.



Info

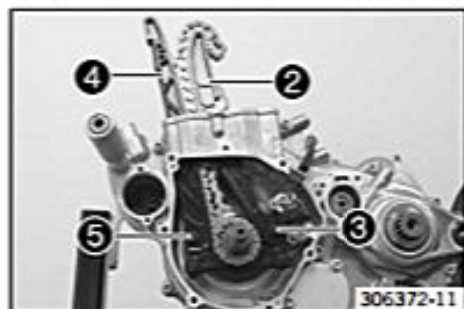
If the timing chain was used before, ensure it is running in the correct direction.



- Position the timing chain securing guide.
- Mount and tighten screws ❶.

Guideline

Screw, timing chain securing guide	M6	10 Nm (7.4 lbf ft)	Loctite® 243™
------------------------------------	----	-----------------------	---------------



- Thread in the timing chain tensioning rail ❷ from above.
- Mount and tighten screw ❸.

Guideline

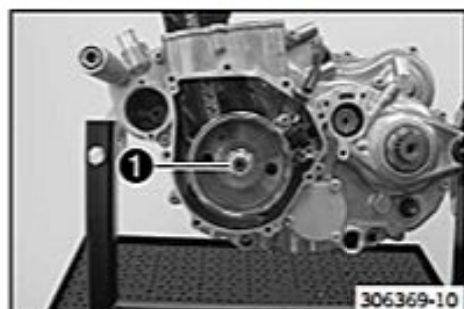
Screw, timing chain tensioning rail	M6	10 Nm (7.4 lbf ft)	Loctite® 243™
-------------------------------------	----	-----------------------	---------------

- Slip in the timing chain guide rail ❹ from above.
- Mount and tighten screw ❺.

Guideline

Screw, timing chain guide rail	M6	10 Nm (7.4 lbf ft)	Loctite® 243™
--------------------------------	----	-----------------------	---------------

16.5.22 Installing the rotor



- Mount the spring washer.
- Mount the rotor.
- Mount and tighten nut ❶ with the spring washer.

Guideline

Nut, rotor	M12x1	60 Nm (44.3 lbf ft)	Thread, oiled with engine oil/cone degreased
------------	-------	------------------------	--

16.5.23 Installing the piston



- Move the joints of the compression ring and oil scraper ring so they are offset by 180°.
- Place the oiled piston on the cylinder.
- Compress the piston rings using the special tool.

Piston ring mounting tool (60029015000) (☞ p. 244)
--



- Tap lightly on the piston ring mounting tool from above with a plastic hammer so that it lies flush with the cylinder.
- ✓ The special tool must press the piston rings together properly and lie flush with the cylinder.



- Carefully tap the piston into the cylinder using the handle of the hammer.
- ✓ The piston rings should not catch or they will be damaged.



- Mount dowels ① and put cylinder base gasket ② in place.



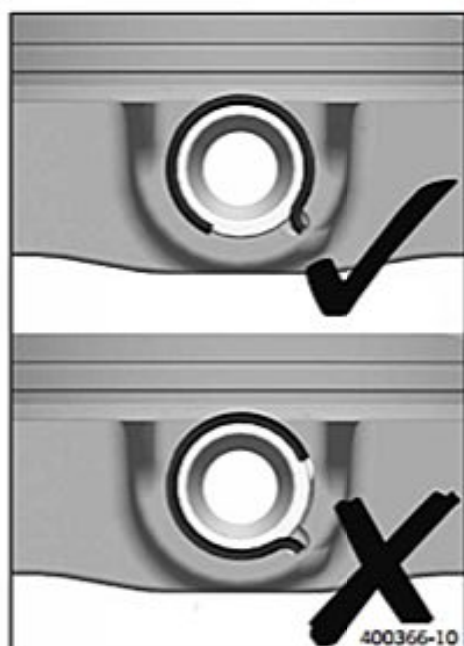
- Ensure that piston mark ③ faces toward the exhaust side.



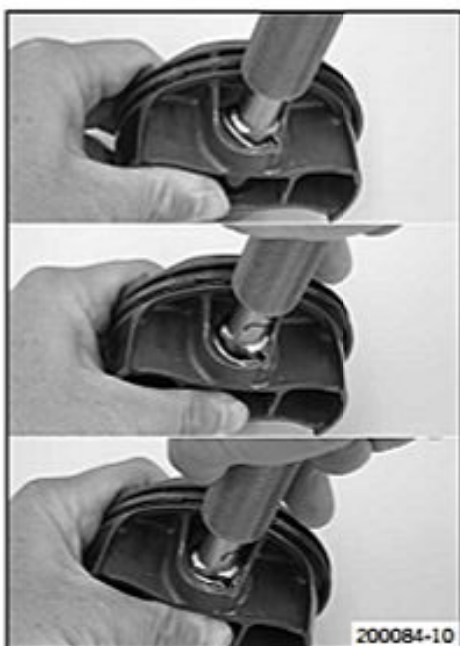
- Cover the engine housing opening with a cloth.
- Feed the timing chain through the timing chain shaft and mount the piston pin.

**Info**

In order to present them more clearly, the following steps are shown with a removed piston.



- Position the piston pin retainer.



200084-10

- Insert the special tool and press it forcefully to the piston.
- Turn the special tool counterclockwise, thereby pushing the piston pin retainer into the groove.

Insert for piston pin retainer (77329030100) (☞ p. 248)

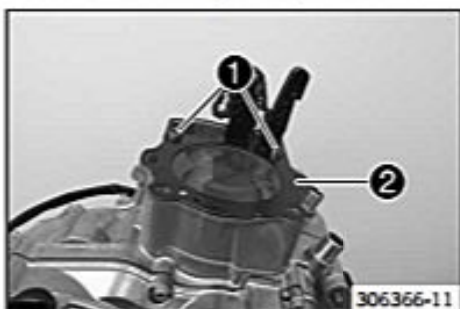
- Ensure that the piston pin retainer is seated properly on both sides.



306367-11

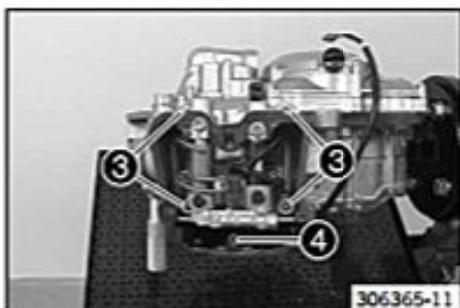
- Remove the cloth. Keep the timing chain taut.
- Carefully push the cylinder down, letting the dowels engage.

16.5.24 Installing the cylinder head



306366-11

- Mount dowels ❶ and put cylinder base gasket ❷ in place.



306365-11

- Put the cylinder head in place.
- Mount screws ❸ with the washers and tighten them in a crisscross pattern.

Guideline

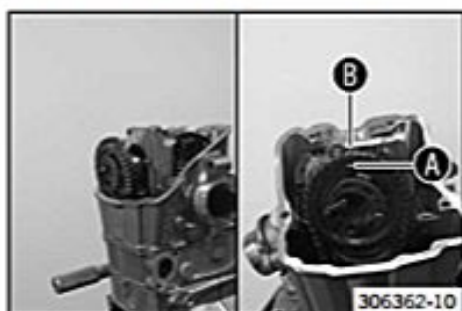
Screw, cylinder head	M10x1.25	Step 1	Lubricated with engine oil
		10 Nm (7.4 lbf ft)	
		Step 2	
		30 Nm (22.1 lbf ft)	
		Step 3	
		50 Nm (36.9 lbf ft)	

- Mount and tighten screw ❹.

Guideline

Screw, cylinder head	M6	10 Nm (7.4 lbf ft)
----------------------	----	--------------------

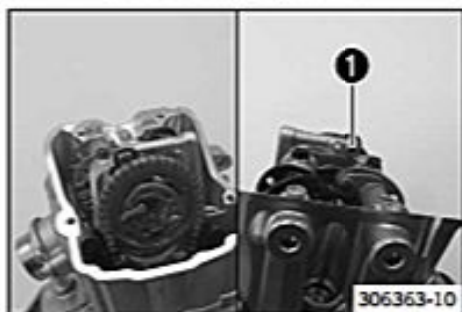
16.5.25 Installing the camshaft



- Place the timing chain over the camshaft gear.
- Push the camshaft into the bearing seats.
- ✓ The camshaft ❶ and cylinder head ❷ markings are lined up with each other.

**Info**

Ensure that the crankshaft is at top dead center (TDC).

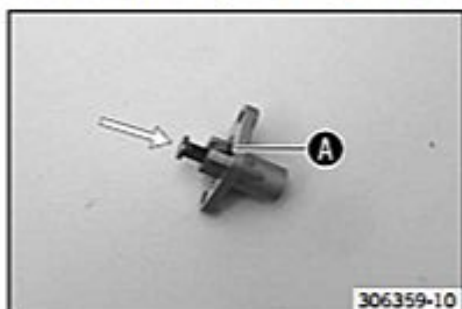


- Position the camshaft support plate.
- Mount and tighten screw ❶.

Guideline

Screw, camshaft support plate	M6	10 Nm (7.4 lbf ft)	Loctite® 243™
-------------------------------	----	-----------------------	---------------

16.5.26 Installing the timing chain tensioner



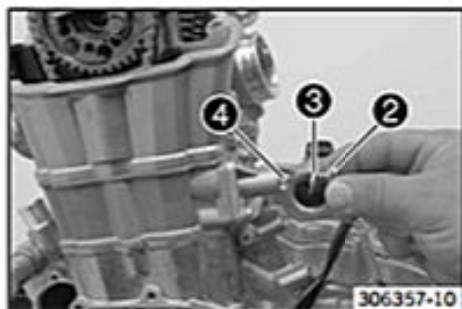
- Activate release ❶ and push the timing chain tensioner all the way back.



- Position the timing chain tensioner with the gasket.
- Mount and tighten screws ❶.

Guideline

Screw, timing chain tensioner	M6	10 Nm (7.4 lbf ft)
-------------------------------	----	--------------------

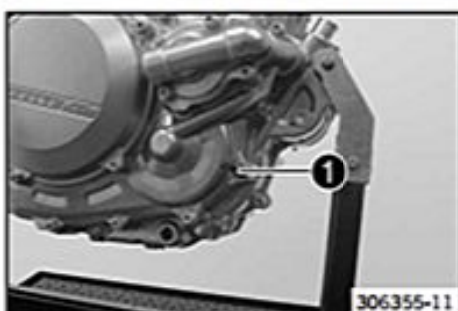


- Mount and tighten screw plug ❷ with washer ❸ and spring ❹.

Guideline

Plug, timing chain tensioner	M8	8 Nm (5.9 lbf ft)
------------------------------	----	-------------------

16.5.27 Checking the valve clearance



- Remove special tool ❶.

Locking screw (113080802) (☞ p. 242)

- Crank over the engine repeatedly.
- Position the engine at ignition top dead center. (☞ p. 137)



- Check the valve clearance at all valves between the valve and rocker arm.
- Guideline

Valve clearance	
Intake at: 20 °C (68 °F)	0.10... 0.15 mm (0.0039... 0.0059 in)
Exhaust at: 20 °C (68 °F)	0.12... 0.17 mm (0.0047... 0.0067 in)

Feeler gauge (59029041100) (☞ p. 244)

- If the valve clearance does not meet specifications:
 - Adjust the valve clearance. (☞ p. 196)

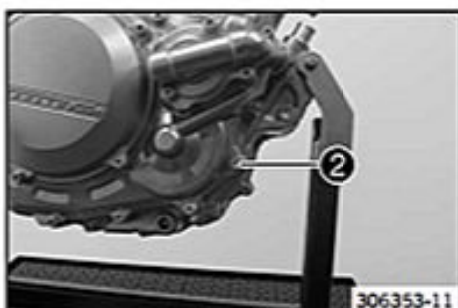
- Remove the special tool.

Locking screw (113080802) (☞ p. 242)

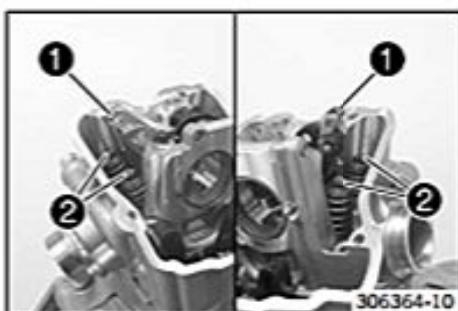
- Mount and tighten screw ❷.

Guideline

Screw plug, crankshaft location	M8	10 Nm (7.4 lbf ft)
---------------------------------	----	--------------------

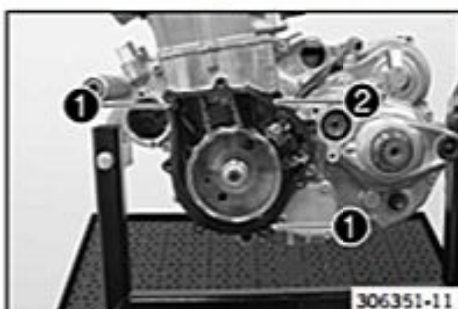


16.5.28 Adjusting the valve clearance

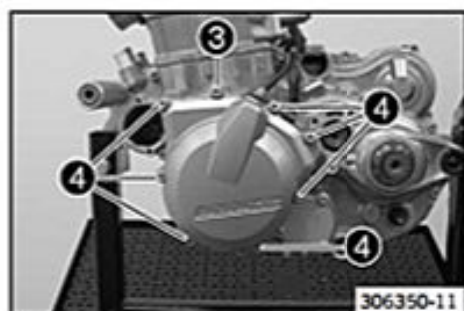


- Remove the timing chain tensioner. (☞ p. 138)
- Remove the camshaft. (☞ p. 138)
- Raise rocker arm ❶ on the outside.
- Remove shims ❷ and set down in the position in which they were installed.
- Correct the shims according to the findings from checking the valve clearance.
- Insert suitable shims.
- Install the camshaft. (☞ p. 195)
- Install the timing chain tensioner. (☞ p. 195)
- Check the valve clearance. (☞ p. 196)

16.5.29 Installing the alternator cover



- Mount locating pins ❶.
- Position alternator cover gasket ❷.



- Position the alternator cover.
- Mount screw ③ with washer but do not tighten it yet.

Guideline

Screw, alternator cover	M6x25	10 Nm (7.4 lbf ft)
-------------------------	-------	--------------------

- Mount screws ④ and tighten all screws in a crisscross pattern.

Guideline

Screw, alternator cover	M6x25	10 Nm (7.4 lbf ft)
-------------------------	-------	--------------------

16.5.30 Installing the valve cover



- Position the valve cover seal.
- Position the valve cover.
- Mount and tighten screws ①.

Guideline

Screw, valve cover	M6	10 Nm (7.4 lbf ft)
--------------------	----	--------------------

16.5.31 Installing the spark plug



- Mount and tighten the spark plug with the special tool.

Guideline

Spark plug	M12x1.25	15... 20 Nm (11.1... 14.8 lbf ft)
------------	----------	---

Spark plug wrench (75029172000) (☛ p. 247)

16.5.32 Installing the starter motor



- Grease the O-ring.
- Mount the starter motor.

Long-life grease (☛ p. 240)

- Mount and tighten screws ①.

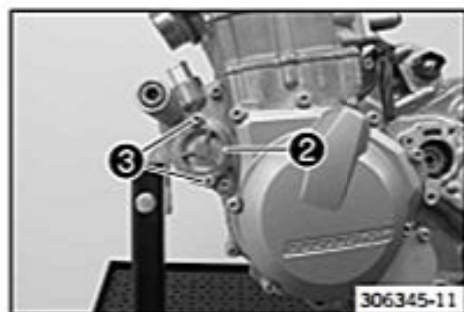
Guideline

Screw, starter motor	M6	10 Nm (7.4 lbf ft)
----------------------	----	--------------------

16.5.33 Installing the oil filter



- Tilt the motorcycle to one side and fill the oil filter housing to about 1/3 full with engine oil.
- Insert oil filter ① into the oil filter housing.



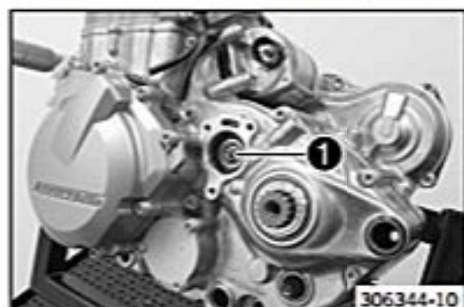
306345-11

- Oil the O-ring of the oil filter cover.
- Mount oil filter cover ②.
- Mount and tighten screws ③.

Guideline

Screw, oil filter cover	M5	6 Nm (4.4 lbf ft)
-------------------------	----	-------------------

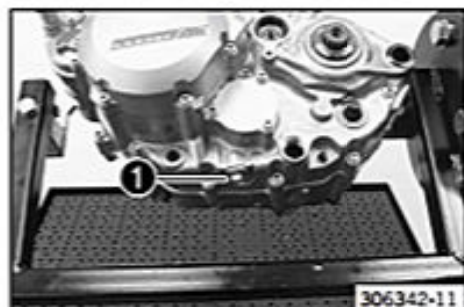
16.5.34 Installing the clutch push rod



306344-10

- Mount clutch push rod ①.

16.5.35 Installing the oil screens

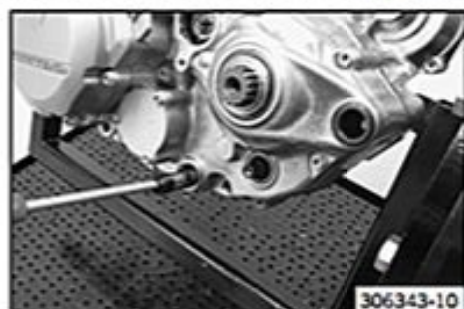


306342-11

- Mount and tighten screw plug ① with the short oil screen and the O-ring.

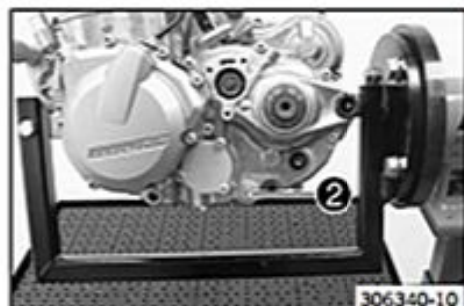
Guideline

Screw plug, oil screen	M20x1.5	15 Nm (11.1 lbf ft)
------------------------	---------	------------------------



306343-10

- Place the long oil screen with the O-rings onto a pin wrench.
- Push the pin wrench through the opening into the drill hole of the opposite engine case wall and push the oil screen as far as possible into the engine case.

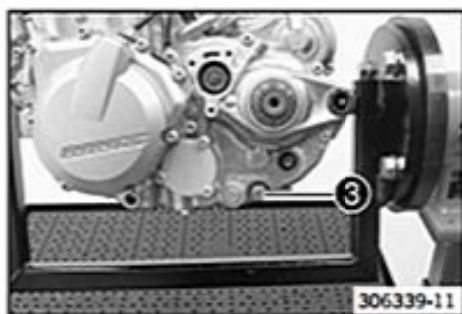


306340-10

- Mount and tighten screw plug ② with the O-ring.

Guideline

Screw plug, oil screen	M20x1.5	15 Nm (11.1 lbf ft)
------------------------	---------	------------------------



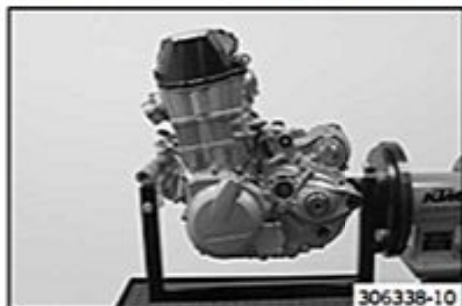
306339-11

- Mount and tighten the oil drain plug ③ with the magnet and the new seal ring.

Guideline

Oil drain plug with magnet	M12x1.5	20 Nm (14.8 lbf ft)
----------------------------	---------	------------------------

16.5.36 Removing the engine from the engine assembly stand



306338-10

- Remove the screw connection from the special tool.

Engine bracket (78029002000) (☛ p. 248)

- Remove the engine from the engine assembly stand.



Info

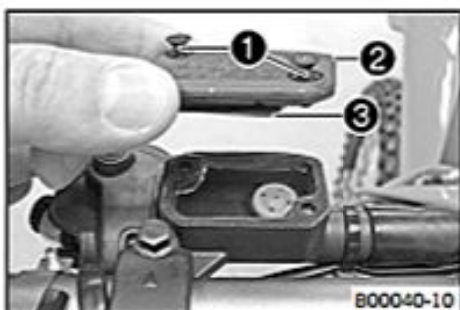
Have an assistant help you or use a motorized hoist.

17.1 Checking/correcting the fluid level of the hydraulic clutch



Info

The fluid level rises with increased wear of the clutch lining discs.



- Move the clutch fluid reservoir mounted on the handlebar to a horizontal position.
- Remove screws ①.
- Remove cover ② with membrane ③.
- Check the fluid level.

Fluid level below container rim	4 mm (0.16 in)
---------------------------------	----------------

- If the fluid level does not meet specifications:
 - Correct the fluid level of the hydraulic clutch.

Brake fluid DOT 4 / DOT 5.1 (☞ p. 238)
--

- Position the cover with the membrane. Mount and tighten the screws.

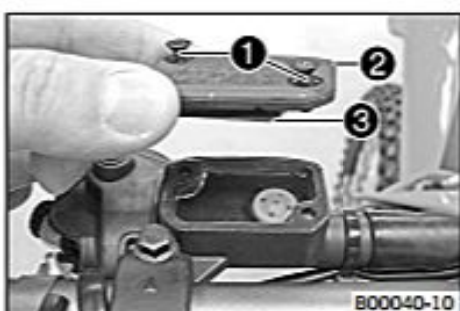
17.2 Changing the hydraulic clutch fluid



Warning

Environmental hazard Hazardous substances cause environmental damage.

- Oil, grease, filters, fuel, cleaners, brake fluid, etc., should be disposed of as stipulated in applicable regulations.



- Move the clutch fluid reservoir mounted on the handlebar to a horizontal position.
- Remove screws ①.
- Remove cover ② with membrane ③.

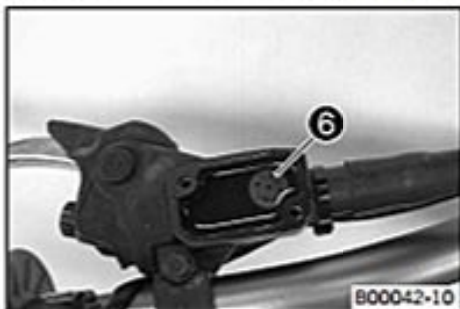


- Fill bleeding syringe ④ with the appropriate hydraulic fluid.

Bleed syringe (50329050000) (☞ p. 243)
--

Brake fluid DOT 4 / DOT 5.1 (☞ p. 238)
--

- On the clutch slave cylinder, remove bleeder screw ⑤ and mount bleeding syringe ④.



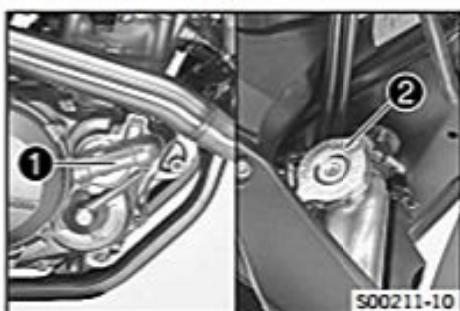
- Inject the liquid into the system until it escapes from hole ⑥ of the master cylinder without bubbles.
- To prevent overflow, drain fluid occasionally from the master cylinder reservoir.
- Remove the bleeding syringe. Mount and tighten screws bleeder screw.
- Correct the fluid level of the hydraulic clutch.

Guideline

Fluid level below container rim	4 mm (0.16 in)
---------------------------------	----------------

- Position the cover with the membrane. Mount and tighten the screws.

18.1 Cooling system



Water pump ❶ in the engine circulates the coolant.

The pressure resulting from the warming of the cooling system is regulated by a valve in radiator cap ❷. This ensures that operating the vehicle at the specified coolant temperature will not result in a risk of malfunctions.

120 °C (248 °F)

Cooling is effected by the air stream.

The lower the speed, the less the cooling effect. Dirty cooling fins also reduce the cooling effect.

18.2 Checking the antifreeze and coolant level



Warning

Danger of scalding During motorcycle operation, the coolant gets very hot and is under pressure.

- Do not remove the radiator cap, radiator hoses or other cooling system components when the engine is hot. Allow the engine and cooling system to cool down. In case of scalding, rinse immediately with lukewarm water.



Warning

Danger of poisoning Coolant is poisonous and a health hazard.

- Coolant must not come into contact with the skin, eyes, or clothing. If contact occurs with the eyes, rinse with water immediately and contact a physician. Immediately clean contaminated areas on the skin with soap and water. If coolant is swallowed, contact a physician immediately. Change clothing that is contaminated with coolant. Keep coolant out of reach of children.

Condition

The engine is cold.

- Stand the motorcycle upright on a horizontal surface.
- Remove the radiator cap.
- Check antifreeze of coolant.

-25... -45 °C (-13... -49 °F)

- If the antifreeze of the coolant does not meet specifications:
 - Correct the antifreeze of the coolant.
- Check the coolant level in the radiator.

Coolant level ❶ above radiator fins. 10 mm (0.39 in)

- If the coolant level does not meet specifications:
 - Correct the coolant level.

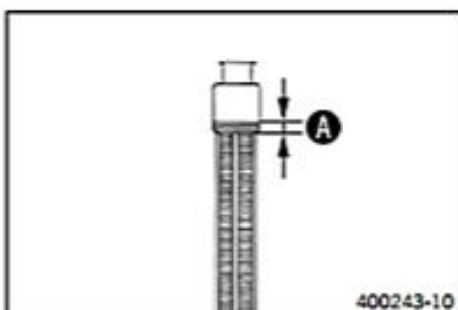
Alternative 1

Coolant (☛ p. 238)

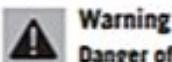
Alternative 2

Coolant (mixed ready to use) (☛ p. 238)

- Mount the radiator cap.



18.3 Checking the coolant level



Warning

Danger of scalding During motorcycle operation, the coolant gets very hot and is under pressure.

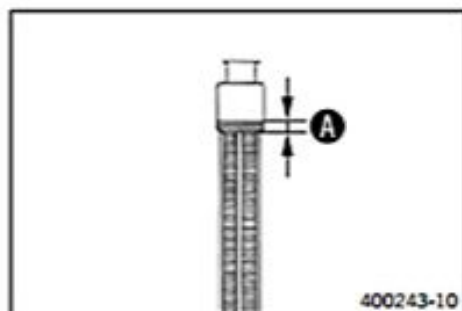
- Do not remove the radiator cap, radiator hoses or other cooling system components when the engine is hot. Allow the engine and cooling system to cool down. In case of scalding, rinse immediately with lukewarm water.



Warning

Danger of poisoning Coolant is poisonous and a health hazard.

- Coolant must not come into contact with the skin, eyes, or clothing. If contact occurs with the eyes, rinse with water immediately and contact a physician. Immediately clean contaminated areas on the skin with soap and water. If coolant is swallowed, contact a physician immediately. Change clothing that is contaminated with coolant. Keep coolant out of reach of children.



400243-10

Condition

The engine is cold.

- Stand the motorcycle upright on a horizontal surface.
- Remove the radiator cap.
- Check the coolant level in the radiator.

Coolant level A above radiator fins.	10 mm (0.39 in)
---	-----------------

- If the coolant level does not meet specifications:

- Correct the coolant level.

Alternative 1

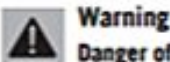
Coolant (☛ p. 238)

Alternative 2

Coolant (mixed ready to use) (☛ p. 238)

- Mount the radiator cap.

18.4 Draining the coolant


Warning
Danger of scalding During motorcycle operation, the coolant gets very hot and is under pressure.

- Do not remove the radiator cap, radiator hoses or other cooling system components when the engine is hot. Allow the engine and cooling system to cool down. In case of scalding, rinse immediately with lukewarm water.


Warning
Danger of poisoning Coolant is poisonous and a health hazard.

- Coolant must not come into contact with the skin, eyes, or clothing. If contact occurs with the eyes, rinse with water immediately and contact a physician. Immediately clean contaminated areas on the skin with soap and water. If coolant is swallowed, contact a physician immediately. Change clothing that is contaminated with coolant. Keep coolant out of reach of children.



C00159-10

Condition

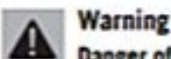
The engine is cold.

- Stand the motorcycle upright.
- Place a suitable container under the water pump cover.
- Remove screw **1**. Take off radiator cap **2**.
- Completely drain the coolant.
- Mount screw **1** with a new seal ring and tighten it.

Guideline

Screw, water pump cover	M6	10 Nm (7.4 lbf ft)
-------------------------	----	--------------------

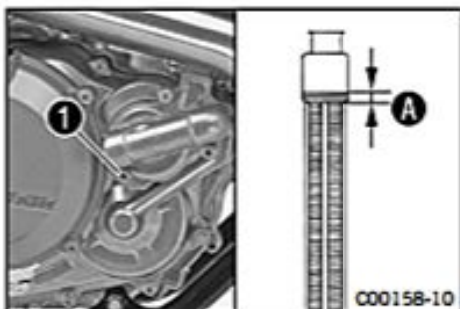
18.5 Refilling coolant



Warning

Danger of poisoning Coolant is poisonous and a health hazard.

- Coolant must not come into contact with the skin, eyes, or clothing. If contact occurs with the eyes, rinse with water immediately and contact a physician. Immediately clean contaminated areas on the skin with soap and water. If coolant is swallowed, contact a physician immediately. Change clothing that is contaminated with coolant. Keep coolant out of reach of children.



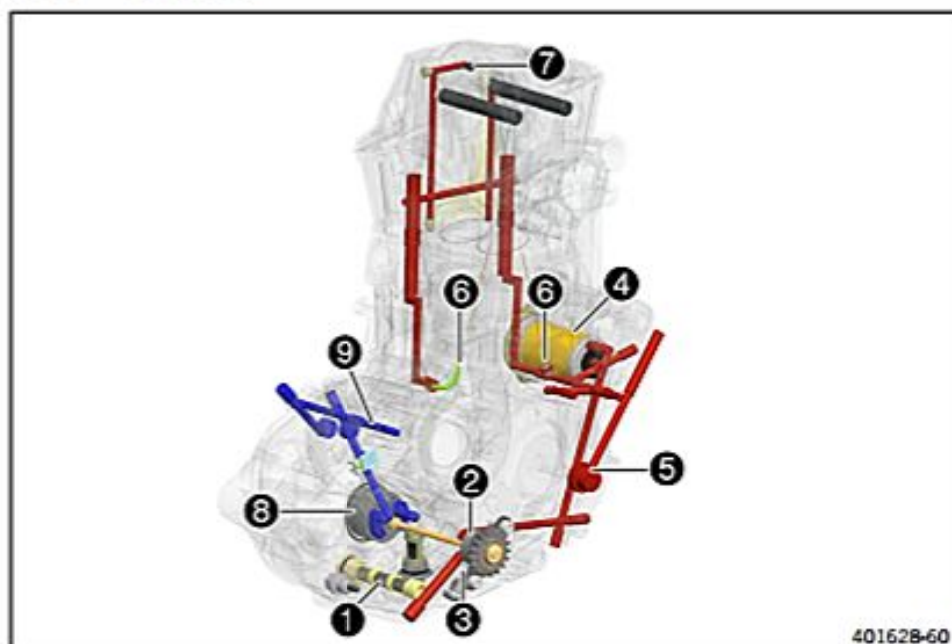
- Make sure that screw ❶ is tightened.
- Position the motorcycle upright.
- Pour coolant in up to measurement ❷ above the radiator fins.

Guideline

Dimension ❷ over the radiator fins	10 mm (0.39 in)
Coolant	1.20 l (1.27 qt.)
	Coolant (☛ p. 238) Coolant (mixed ready to use) (☛ p. 238)

- Mount the radiator cap.
- Take a short test ride.
- Check the coolant level. (☛ p. 201)

19.1 Oil circuit



40162B-60

- | | |
|---|---|
| 1 | Oil screen |
| 2 | Force pump |
| 3 | Oil pressure regulator valve |
| 4 | Oil filter |
| 5 | Oil nozzle for conrod bearing lubrication |
| 6 | Oil nozzle, piston cooling |
| 7 | Oil nozzle for cam follower lubrication |
| 8 | Suction pump |
| 9 | Oil channel, transmission lubrication |

19.2 Checking the engine oil level

Condition

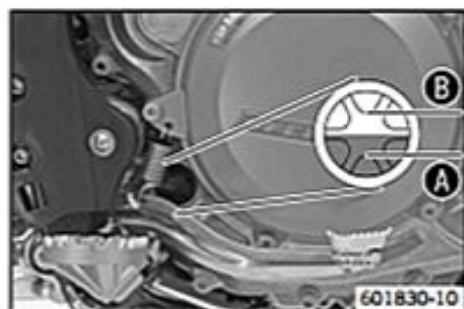
The engine is at operating temperature.

Preparatory work

- Stand the motorcycle upright on a horizontal surface.

Main work

- Check the engine oil level.



601830-10



Info

After switching off the engine, wait one minute before checking the level.

The engine oil level is between **A** and **B**.

- If the engine oil level is below marking **A**:
 - Add engine oil. (↪ p. 207)
- If the engine oil level is at marking **B** or above:
 - Correct the engine oil level.

19.3 Changing the engine oil and oil filter, cleaning the oil screens

Warning

Danger of scalding Engine oil and gear oil get very hot when the motorcycle is ridden.

- Wear appropriate protective clothing and safety gloves. In case of burns, rinse immediately with lukewarm water.

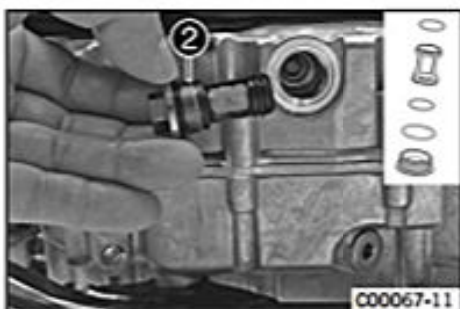
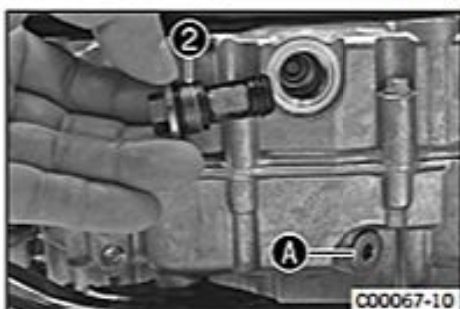
Warning

Environmental hazard Hazardous substances cause environmental damage.

- Oil, grease, filters, fuel, cleaners, brake fluid, etc., should be disposed of as stipulated in applicable regulations.

Info

Drain the engine oil only when the engine is warm.



Preparatory work

- Park the motorcycle on a level surface.

Main work

- Place a suitable container under the engine.
- Remove the oil drain plug (1) with the magnet and seal ring.

- Remove screw plug (2) with the short oil screen and the O-rings.

Info

Do not remove screw (3).

- Remove screw plug (3) with the long oil screen (4) and the O-rings.
- Completely drain the engine oil.
- Thoroughly clean the parts and sealing surfaces.

- Mount and tighten screw plug (2) with the short oil screen and the O-rings.

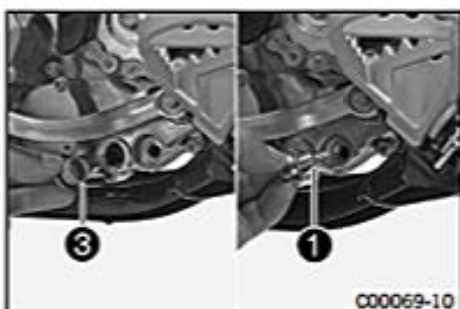
Guideline

Screw plug, oil screen	M20x1.5	15 Nm (11.1 lbf ft)
------------------------	---------	------------------------



C00236-10

- Place the long oil screen ④ with the O-rings onto a pin wrench.
- Push the pin wrench through the opening into the drill hole of the opposite engine case wall and push the engine oil screen as far as possible into the engine case.



C00069-10

- Mount and tighten screw plug ③ with the O-ring.

Guideline

Screw plug, oil screen	M20x1.5	15 Nm (11.1 lbf ft)
------------------------	---------	------------------------

- Mount and tighten the oil drain plug ① with the magnet and a new seal ring.

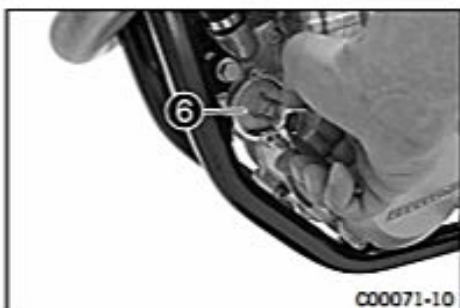
Guideline

Oil drain plug with magnet	M12x1.5	20 Nm (14.8 lbf ft)
----------------------------	---------	------------------------



C00070-10

- Remove screws ⑤. Remove the oil filter cover with the O-ring.

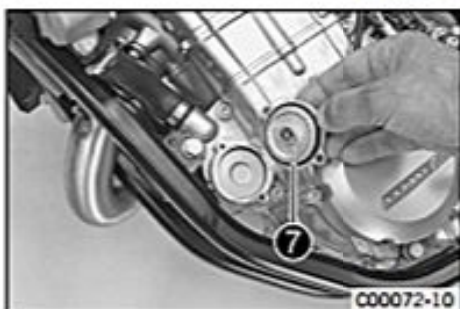


C00071-10

- Pull oil filter ⑥ out of the oil filter housing.

Circlip pliers reverse (51012011000) (☛ p. 243)

- Completely drain the engine oil.
- Thoroughly clean the parts and sealing area.



C00072-10

- Lay the motorcycle on its side and fill the oil filter housing to about 1/3 full with engine oil.
- Insert the oil filter into the oil filter housing.
- Lubricate the O-ring of the oil filter cover and mount it with the oil filter cover ⑦.
- Mount and tighten the screws.

Guideline

Screw, oil filter cover	M5	6 Nm (4.4 lbf ft)
-------------------------	----	-------------------

- Stand the motorcycle upright.



601828-10

- Remove the oil filler plug ⑧ with the O-ring from the clutch cover and fill up with engine oil.

Engine oil	1.50 l (1.59 qt.)	Engine oil (SAE 10W/50) (☛ p. 238)
------------	-------------------	------------------------------------


Info

Too little engine oil or poor-quality engine oil results in premature wear to the engine.

- Install and tighten the oil filler plug with the O-ring.



Danger

Danger of poisoning Exhaust gases are toxic and inhaling them may result in unconsciousness and/or death.

- When running the engine, always make sure there is sufficient ventilation, and do not start or run the engine in an enclosed space without an effective exhaust extraction system.

- Start the engine and check that it is oil-tight.

Finishing work

- Check the engine oil level. (☛ p. 204)

19.4 Adding engine oil



Info

Too little engine oil or poor-quality engine oil results in premature wear to the engine.



- Remove the oil filler plug ❶ with the O-ring from the clutch cover.
- Add the same engine oil that was used when the motor was changed.

Engine oil (SAE 10W/50) (☛ p. 238)



Info

For optimal performance of the engine oil, do not mix different types of engine oil.
If appropriate, change the engine oil.

- Install and tighten the oil filler plug with O-ring.



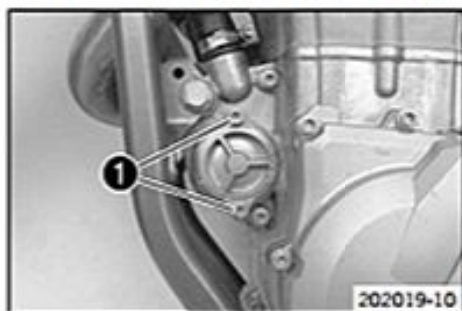
Danger

Danger of poisoning Exhaust gases are toxic and inhaling them may result in unconsciousness and/or death.

- When running the engine, always make sure there is sufficient ventilation, and do not start or run the engine in an enclosed space without an effective exhaust extraction system.

- Start the engine and check that it is oil-tight.

19.5 Checking the engine oil pressure



Main work

- Place a suitable container under the engine.
- Remove screws ❶. Remove the oil filter cover with the O-ring.
- Remove the oil filter.

Circlip pliers reverse (51012011000) (☛ p. 243)



- Position special tool ❷ with the O-ring. Mount and tighten the screws.

Guideline

Screw, oil filter cover	M5	6 Nm (4.4 lbf ft)
-------------------------	----	-------------------

Oil pressure adapter (75029094000) (☛ p. 247)

- Connect the pressure tester without the t-plate to the special tool.

Pressure testing tool (61029094000) (☛ p. 245)

- Check the engine oil level. (☛ p. 204)

**Danger**

Danger of poisoning Exhaust gases are toxic and inhaling them may result in unconsciousness and/or death.

- When running the engine, always make sure there is sufficient ventilation, and do not start or run the engine in an enclosed space without an effective exhaust extraction system.

- Start the engine and let it warm up.
- Check the engine oil pressure.

Engine oil pressure	
Engine oil temperature: 80 °C (176 °F) Engine speed: 1,600 rpm	0.9 bar (13 psi)
Engine oil temperature: 80 °C (176 °F) Engine speed: 6,000 rpm	2.5 bar (36 psi)

- If the measured value is less than the specification:
 - Check the oil pump for wear. Check all oil channels for free flow.
- Switch off the engine.

**Warning**

Danger of burns Some vehicle components get very hot when the machine is driven.

- Wear appropriate protective clothing and safety gloves. In case of burns, rinse immediately with lukewarm water.

- Remove the special tools.
- Grease the O-ring of the oil filter cover. Mount the oil filter cover.
- Mount and tighten the screws.

Guideline

Screw, oil filter cover	M5	6 Nm (4.4 lbf ft)
-------------------------	----	-------------------

Finishing work

- Check the engine oil level. (☛ p. 204)

20.1 Ignition coil - checking the secondary winding

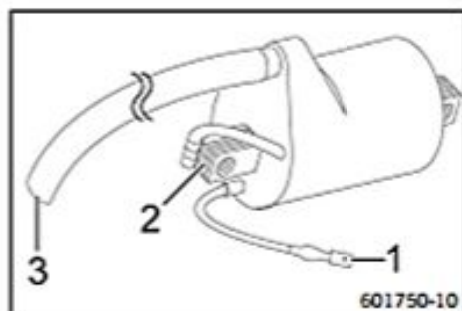
Condition

Ignition coil cylinder 1 is disconnected.

Spark plug connector cylinder 1 has been removed.

Ignition coil cylinder 1 - check the secondary winding resistance

- Ω Measure the resistance between the specified points.
- Ignition coil cylinder 1 pin 2 (-) – Ignition coil cylinder 1 pin 3



601750-10

Ignition coil	
Secondary winding resistance at: 20 °C (68 °F)	11.075... 15.525 k Ω

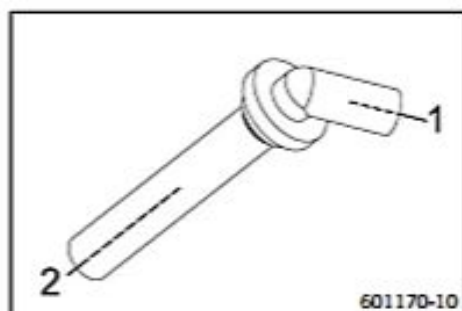
- If the displayed value does not correspond to specifications:
 - Change the ignition coil.

20.2 Checking the spark plug connector

Condition

Spark plug connector cylinder 1 has been removed.

- Ω Measure the resistance between the specified points.
- Measuring point 1 – Measuring point 2



601170-10

Spark plug connector	
Resistance at: 20 °C (68 °F)	3.75... 6.25 k Ω

- If the specification is not reached:
 - Change the spark plug connector.

20.3 Alternator - checking stator winding

Condition

The alternator is disconnected.



601168-10

Stator winding - checking the resistance

- Ω Measure the resistance between the specified points.
- Alternator, connector CR pin 1 – Alternator, connector CR pin 1

Alternator	
Resistance of stator winding at: 20 °C (68 °F)	1.19... 1.61 Ω

- If the displayed value does meet specifications:
 - Change the stator.



601168-10



601169-10

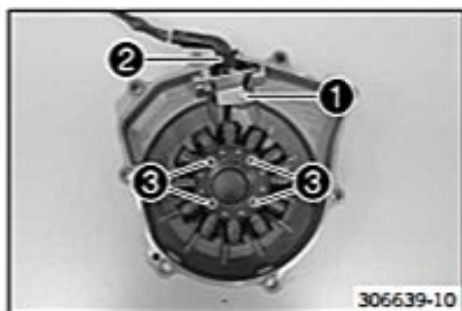
Stator winding - check the short circuit to ground (terminal 31)

- Ω Measure the resistance between the specified points.
- Alternator, connector CR pin 1 – Measuring point Ground (-)

Resistance	$\infty \Omega$
------------	-----------------

- If the displayed value does meet specifications:
 - Change the stator.

20.4 Removing the stator

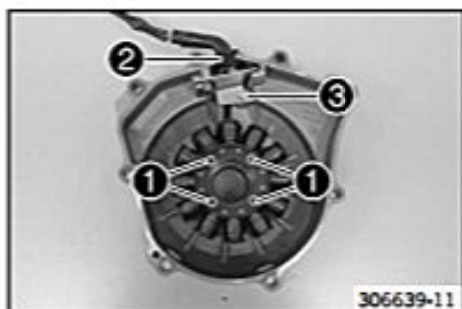


Condition

The alternator cover has been removed.

- Remove screw ❶ and take off the cable holder.
- Remove cable support sleeve ❷ from the alternator case.
- Remove screws ❸.
- Take the stator out of the alternator cover.

20.5 Installing the stator



- Position the stator in the alternator cover.
- Mount and tighten screws ❶.

Guideline

Screw, stator	M4	4 Nm (3 lbf ft)	Loctite® 648™
---------------	----	--------------------	---------------

- Position cable support sleeve ❷ in the alternator case.
- Position the cable holder. Mount and tighten screw ❸.

Guideline

Screw, cable holder in alternator cover	M4	4 Nm (3 lbf ft)	Loctite® 243™
---	----	--------------------	---------------

21.1 Checking the starter motor

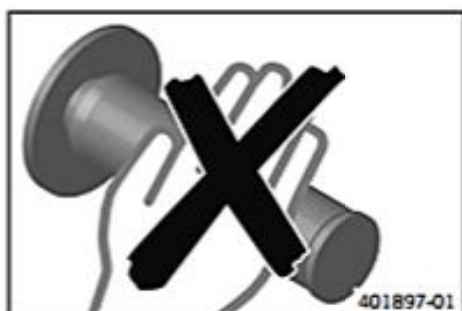


Condition

The starter motor has been removed.

- Connect the negative cable of a 12 volt power supply to the housing of the starter motor. Connect the positive cable of the power supply briefly with connector ❶ of the starter motor.
 - » If the starter motor does not turn when the circuit is closed:
 - Change the starter motor.

22.1 Executing the initialization run



Condition

The diagnostic tool is connected and running.

- Execute "Engine electronics" > "Functions" > "Deleting adaptation values".
 - ✓ The adaptation values are deleted.
- Select "Engine electronics" > "Measured values" > "Engine coolant temperature sensor (TW1)".
 - ✓ The coolant temperature is displayed during the initialization run.



Danger

Danger of poisoning Exhaust gases are toxic and inhaling them may result in unconsciousness and/or death.

- When running the engine, always make sure there is sufficient ventilation, and do not start or run the engine in an enclosed space without an effective exhaust extraction system.

- Start the engine without operating the throttle grip.

Guideline

Coolant temperature	< 25 °C (< 77 °F)
---------------------	-------------------

- Let the engine idle until it reaches the specified temperature.

Guideline

Coolant temperature	80... 90 °C (176... 194 °F)
---------------------	-----------------------------



Info

Do not operate the throttle grip during the initialization process.

- As soon as the specified temperature is reached, switch off the ignition.



Info

If the initialization is not completed or the initialization process is interrupted, the entire process must be restarted.

22.2 Adjusting the idle speed



- Run the engine until warm.
- Set the desired idle speed by turning the idle speed adjusting screw ❶.

Guideline

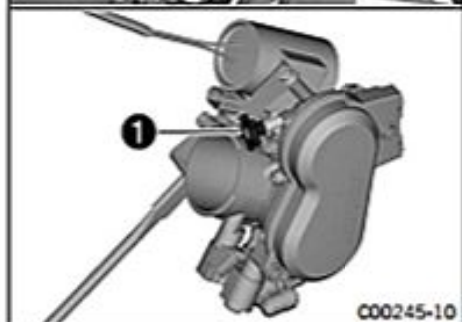
Idle speed	2,250... 2,350 rpm
------------	--------------------

Tachometer (45129075000) (☛ p. 242)



Info

Turn counterclockwise to decrease the idle speed.
Turn clockwise to increase the idle speed.



C00245-10

23.1 Engine	
Design	1-cylinder 4-stroke engine, water-cooled
Displacement	449.3 cm ³ (27.418 cu in)
Stroke	63.4 mm (2.496 in)
Bore	95 mm (3.74 in)
Compression ratio	12.6:1
Idle speed	2,250... 2,350 rpm
Control	OHC, 4 valves controlled via rocker arm
Valve diameter, intake	40 mm (1.57 in)
Valve diameter, exhaust	33 mm (1.3 in)
Valve clearance	
Intake at: 20 °C (68 °F)	0.10... 0.15 mm (0.0039... 0.0059 in)
Exhaust at: 20 °C (68 °F)	0.12... 0.17 mm (0.0047... 0.0067 in)
Crankshaft bearing	2 grooved ball bearings
Conrod bearing	Slide bearing
Piston pin bearing	Not a bearing bush - DLC-plated piston pins
Pistons	Forged light alloy
Piston rings	1 compression ring, 1 oil scraper ring
Engine lubrication	Pressure circulation lubrication with two Eaton pumps
Primary transmission	32:76
Clutch	Multidisc clutch in oil bath/hydraulically activated
Gearbox (SX-F EU)	4-gear, claw shifted
Gearbox (SX-F USA, SX-F Factory Edition, XC-F)	5-gear, claw shifted
Transmission ratio (SX-F EU)	
1st gear	16:32
2nd gear	18:30
3rd gear	20:28
4th gear	22:26
Transmission ratio (SX-F USA, SX-F Factory Edition, XC-F)	
1st gear	16:32
2nd gear	18:30
3rd gear	20:28
4th gear	22:26
5th gear	24:24
Alternator	12 V, 75 W
Ignition	Contactless controlled fully electronic ignition with digital ignition adjustment
Spark plug	NGK LKAR8AI-9
Spark plug electrode gap	0.9 mm (0.035 in)
Cooling	Water cooling, permanent circulation of coolant by water pump
Starting aid	Electric starter

23.2 Engine tolerance, wear limits

Camshaft - cam height	
Exhaust	33.10... 33.30 mm (1.3031... 1.311 in)
Intake	33.90... 34.10 mm (1.3346... 1.3425 in)
Valve spring	
Intake minimum length (without valve spring seat)	40.7 mm (1.602 in)
Exhaust minimum length (without valve spring seat)	40.7 mm (1.602 in)
Valve spring seat	1.8 mm (0.071 in)
Cylinder/cylinder head - sealing area distortion	≤ 0.1 mm (≤ 0.004 in)
Piston - diameter	

Size I	94.93... 94.96 mm (3.7374... 3.7386 in)
Size II	94.94... 94.97 mm (3.7378... 3.739 in)
Cylinder - drill hole diameter	
Size I	95... 95.012 mm (3.74... 3.74062 in)
Size II	95.013... 95.025 mm (3.74066... 3.74113 in)
Piston/cylinder - mounting clearance	
Size I	0.040... 0.082 mm (0.00157... 0.00323 in)
Size II	0.043... 0.085 mm (0.00169... 0.00335 in)
Wear limit	0.120 mm (0.00472 in)
Piston ring end gap	
Compression ring	≤ 1 mm (≤ 0.04 in)
Oil scraper ring	≤ 1.2 mm (≤ 0.047 in)
Connecting rod - end play of lower conrod bearing	0.20... 0.45 mm (0.0079... 0.0177 in)
Crankshaft - run-out on bearing pin	≤ 0.16 mm (≤ 0.0063 in)
Clutch facing disc - thickness	≥ 1.9 mm (≥ 0.075 in)
Thrust surface, clutch facing discs in outer clutch hub	≤ 0.5 mm (≤ 0.02 in)
Oil pressure regulator valve	
Minimum length of preload spring	24.5 mm (0.965 in)
Shift shaft - play in sliding plate/shift quadrant	0.4... 0.8 mm (0.016... 0.031 in)

23.3 Engine tightening torques

Screw, engine case	M3	3 Nm (2.2 lbf ft)	Loctite® 648™
Screw, cable holder in alternator cover	M4	4 Nm (3 lbf ft)	Loctite® 243™
Screw, oil spray tube	M4	5 Nm (3.7 lbf ft)	Loctite® 243™
Screw, stator	M4	4 Nm (3 lbf ft)	Loctite® 648™
Oil nozzle, piston cooling	M5	2 Nm (1.5 lbf ft)	Loctite® 243™
Oil nozzle, rocker arm lubrication	M5	2 Nm (1.5 lbf ft)	Loctite® 243™
Screw, bearing retainer	M5	6 Nm (4.4 lbf ft)	Loctite® 2701™
Screw, clutch spring retainer	M5	6 Nm (4.4 lbf ft)	-
Screw, crankshaft position sensor	M5	6 Nm (4.4 lbf ft)	Loctite® 243™
Screw, locking lever	M5	6 Nm (4.4 lbf ft)	Loctite® 243™
Screw, oil filter cover	M5	6 Nm (4.4 lbf ft)	-
Screw, suction pump cover	M5	6 Nm (4.4 lbf ft)	Loctite® 243™
Nut, water-pump wheel	M6	8 Nm (5.9 lbf ft)	Loctite® 243™
Screw, alternator cover	M6x25	10 Nm (7.4 lbf ft)	-
Screw, bearing bolt, torque limiter	M6	10 Nm (7.4 lbf ft)	Loctite® 243™
Screw, camshaft support plate	M6	10 Nm (7.4 lbf ft)	Loctite® 243™
Screw, clutch cover	M6	10 Nm (7.4 lbf ft)	-
Screw, clutch slave cylinder	M6	10 Nm (7.4 lbf ft)	-
Screw, cylinder head	M6	10 Nm (7.4 lbf ft)	-
Screw, engine case	M6	10 Nm (7.4 lbf ft)	-
Screw, exhaust flange	M6	10 Nm (7.4 lbf ft)	Loctite® 243™
Screw, pressure pump cover	M6	10 Nm (7.4 lbf ft)	Loctite® 243™
Screw, shift drum locating	M6	10 Nm (7.4 lbf ft)	Loctite® 243™
Screw, shift lever	M6	14 Nm (10.3 lbf ft)	Loctite® 243™
Screw, starter motor	M6	10 Nm (7.4 lbf ft)	-
Screw, timing chain guide rail	M6	10 Nm (7.4 lbf ft)	Loctite® 243™
Screw, timing chain securing guide	M6	10 Nm (7.4 lbf ft)	Loctite® 243™
Screw, timing chain tensioner	M6	10 Nm (7.4 lbf ft)	-
Screw, timing chain tensioning rail	M6	10 Nm (7.4 lbf ft)	Loctite® 243™
Screw, valve cover	M6	10 Nm (7.4 lbf ft)	-

Screw, water pump cover	M6	10 Nm (7.4 lbf ft)	–
Oil nozzle for conrod bearing lubrication	M6x0.75	4 Nm (3 lbf ft)	–
Plug, oil channel	M7	9 Nm (6.6 lbf ft)	Loctite® 243™
Screw, rocker arm bearing	M7	15 Nm (11.1 lbf ft)	–
Plug, timing chain tensioner	M8	8 Nm (5.9 lbf ft)	–
Screw plug, crankshaft location	M8	10 Nm (7.4 lbf ft)	–
Plug, oil channel	M10	15 Nm (11.1 lbf ft)	Loctite® 243™
Screw, engine sprocket	M10	60 Nm (44.3 lbf ft)	Loctite® 2701™
Screw, cylinder head	M10x1.25	Step 1 10 Nm (7.4 lbf ft) Step 2 30 Nm (22.1 lbf ft) Step 3 50 Nm (36.9 lbf ft)	Lubricated with engine oil
Nut, rotor	M12x1	60 Nm (44.3 lbf ft)	Thread, oiled with engine oil/cone degreased
Spark plug	M12x1.25	15... 20 Nm (11.1... 14.8 lbf ft)	–
Engine coolant temperature sensor	M12x1.5	12 Nm (8.9 lbf ft)	–
Oil drain plug with magnet	M12x1.5	20 Nm (14.8 lbf ft)	–
Plug, oil pressure regulator valve	M12x1.5	20 Nm (14.8 lbf ft)	–
Nut, inner clutch hub	M18x1.5	80 Nm (59 lbf ft)	–
Screw plug, rocker arm	M18x1.5	30 Nm (22.1 lbf ft)	–
Nut, primary gear	M20LHx1.5	100 Nm (73.8 lbf ft)	Loctite® 648™
Screw plug, oil screen	M20x1.5	15 Nm (11.1 lbf ft)	–

23.4 Capacities

23.4.1 Engine oil

Engine oil	1.50 l (1.59 qt.)	Engine oil (SAE 10W/50) (☛ p. 238)
------------	-------------------	------------------------------------

23.4.2 Coolant

Coolant	1.20 l (1.27 qt.)	Coolant (☛ p. 238)
		Coolant (mixed ready to use) (☛ p. 238)

23.4.3 Fuel

Total fuel tank capacity, approx. (All SX-F models)	7.5 l (1.98 US gal)	Super unleaded (ROZ 95/RON 95/PON 91) (☛ p. 239)
Total fuel tank capacity, approx. (XC-F)	9 l (2.4 US gal)	Super unleaded (ROZ 95/RON 95/PON 91) (☛ p. 239)
Fuel reserve, approx. (XC-F)	1.5 l (1.6 qt.)	

23.5 Chassis

Frame	Central tube frame made of chrome molybdenum steel tubing	
Fork (All SX-F EU models)	WP Suspension Up Side Down 4860 MXMA CC	
Suspension travel		
Front	300 mm (11.81 in)	
Suspension travel (All SX-F EU models)		
Rear	330 mm (12.99 in)	
Suspension travel (All USA models)		
Rear	317 mm (12.48 in)	
Fork offset	22 mm (0.87 in)	

Shock absorber	WP Suspension 5018 BAVP DCC
Brake system	Disc brakes, brake calipers on floating bearings
Brake discs - diameter	
Front	260 mm (10.24 in)
Rear	220 mm (8.66 in)
Brake discs - wear limit	
Front	2.5 mm (0.098 in)
Rear	3.5 mm (0.138 in)
Tire air pressure off road	
Front	1.0 bar (15 psi)
Rear	1.0 bar (15 psi)
Secondary ratio (SX-F USA, SX-F EU, XC-F)	14:50
Secondary ratio (SX-F Factory Edition)	14:52
Chain	5/8 x 1/4"
Rear sprockets available	38, 40, 42, 45, 48, 49, 50, 51, 52
Steering head angle	63.5°
Wheelbase	1,495±10 mm (58.86±0.39 in)
Seat height, unloaded	992 mm (39.06 in)
Ground clearance, unloaded	375 mm (14.76 in)
Weight without fuel, approx. (All SX-F models)	106.2 kg (234.1 lb.)
Weight without fuel, approx. (XC-F)	109.6 kg (241.6 lb.)
Maximum permissible front axle load	145 kg (320 lb.)
Maximum permissible rear axle load	190 kg (419 lb.)
Maximum permissible overall weight	335 kg (739 lb.)

23.6 Electrical system

Battery (All SX-F models)	YTX4L-BS	Battery voltage: 12 V Nominal capacity: 3 Ah Maintenance-free
Battery (XC-F)	YTX5L-BS	Battery voltage: 12 V Nominal capacity: 4 Ah Maintenance-free
Fuse	58011109110	10 A
Fl warning lamp	LED	
Remaining indicator lamps (XC-F)	W2.3W/socket W2x4.6d	12 V 2.3 W

23.7 Tires

Validity	Front tires	Rear tires
(All SX-F EU models)	80/100 - 21 M/C 51M TT Pirelli SCORPION MX Midsoft 32	110/90 - 19 62M TT Pirelli SCORPION MX Midsoft 32
(All USA models)	80/100 - 21 M/C 51M TT Dunlop GEOMAX MX 51 F	110/90 - 19 62M TT Dunlop GEOMAX MX 51 F
Additional information is available in the Service section under: http://www.ktm.com		

23.8 Fork**23.8.1 All SX-F EU models**

Fork part number	14.18.7M.09	
Fork	WP Suspension Up Side Down 4860 MXMA CC	
Compression damping		
Comfort	14 clicks	
Standard	12 clicks	
Sport	10 clicks	
Rebound damping		
Comfort	14 clicks	
Standard	12 clicks	
Sport	10 clicks	
Spring length with preload spacer(s)	497 mm (19.57 in)	
Spring rate		
Weight of rider: 65... 75 kg (143... 165 lb.)	4.8 N/mm (27.4 lb/in)	
Weight of rider: 75... 85 kg (165... 187 lb.)	5.0 N/mm (28.6 lb/in)	
Weight of rider: 85... 95 kg (187... 209 lb.)	5.2 N/mm (29.7 lb/in)	
Gas pressure	1.2 bar (17 psi)	
Fork length	940 mm (37.01 in)	
Oil capacity per cartridge	195 ml (6.59 fl. oz.)	Fork oil (SAE 4) (48601166S1) (☛ p. 238)
Oil capacity fork leg without cartridge	390 ml (13.19 fl. oz.)	Fork oil (SAE 4) (48601166S1) (☛ p. 238)

23.8.2 All SX-F USA models

Fork part number	14.18.7M.59	
Fork	WP Suspension Up Side Down 4860 MXMA CC	
Compression damping		
Comfort	14 clicks	
Standard	12 clicks	
Sport	10 clicks	
Rebound damping		
Comfort	14 clicks	
Standard	12 clicks	
Sport	10 clicks	
Spring length with preload spacer(s)	494 mm (19.45 in)	
Spring rate		
Weight of rider: 65... 75 kg (143... 165 lb.)	4.8 N/mm (27.4 lb/in)	
Weight of rider: 75... 85 kg (165... 187 lb.)	5.0 N/mm (28.6 lb/in)	
Weight of rider: 85... 95 kg (187... 209 lb.)	5.2 N/mm (29.7 lb/in)	
Gas pressure	1.2 bar (17 psi)	
Fork length	940 mm (37.01 in)	
Oil capacity per cartridge	195 ml (6.59 fl. oz.)	Fork oil (SAE 4) (48601166S1) (☛ p. 238)
Oil capacity fork leg without cartridge	390 ml (13.19 fl. oz.)	Fork oil (SAE 4) (48601166S1) (☛ p. 238)

23.8.3 XC-F

Fork part number	14.18.7M.77	
Fork	WP Suspension Up Side Down 4860 MXMA CC	
Compression damping		
Comfort	14 clicks	

Standard	12 clicks	
Sport	10 clicks	
Rebound damping		
Comfort	14 clicks	
Standard	12 clicks	
Sport	10 clicks	
Spring length with preload spacer(s)	492 mm (19.37 in)	
Spring rate		
Weight of rider: 65... 75 kg (143... 165 lb.)	4.4 N/mm (25.1 lb/in)	
Weight of rider: 75... 85 kg (165... 187 lb.)	4.6 N/mm (26.3 lb/in)	
Weight of rider: 85... 95 kg (187... 209 lb.)	4.8 N/mm (27.4 lb/in)	
Gas pressure	1.2 bar (17 psi)	
Fork length	940 mm (37.01 in)	
Oil capacity per cartridge	195 ml (6.59 fl. oz.)	Fork oil (SAE 4) (48601166S1) (☛ p. 238)
Oil capacity fork leg without cartridge	380 ml (12.85 fl. oz.)	Fork oil (SAE 4) (48601166S1) (☛ p. 238)

23.9 Shock absorber

23.9.1 All SX-F EU models

Shock absorber part number	18.18.7M.09	
Shock absorber	WP Suspension 5018 BAVP DCC	
Compression damping, low-speed		
Comfort	17 clicks	
Standard	15 clicks	
Sport	13 clicks	
Compression damping, high-speed		
Comfort	2.5 turns	
Standard	2 turns	
Sport	1.5 turns	
Rebound damping		
Comfort	17 clicks	
Standard	15 clicks	
Sport	13 clicks	
Spring preload	14 mm (0.55 in)	
Spring rate		
Weight of rider: 65... 75 kg (143... 165 lb.)	54 N/mm (308 lb/in)	
Weight of rider: 75... 85 kg (165... 187 lb.)	57 N/mm (325 lb/in)	
Weight of rider: 85... 95 kg (187... 209 lb.)	60 N/mm (343 lb/in)	
Spring length	260 mm (10.24 in)	
Gas pressure	10 bar (145 psi)	
Static sag	30 mm (1.18 in)	
Riding sag	90 mm (3.54 in)	
Fitted length	490 mm (19.29 in)	
Shock absorber oil	Shock absorber oil (SAE 2.5) (50180342S1) (☛ p. 238)	

23.9.2 All SX-F USA models

Shock absorber part number	18.18.7M.57	
Shock absorber	WP Suspension 5018 BAVP DCC	
Compression damping, low-speed		
Comfort	17 clicks	

Standard	15 clicks
Sport	13 clicks
Compression damping, high-speed	
Comfort	2.5 turns
Standard	2 turns
Sport	1.5 turns
Rebound damping	
Comfort	17 clicks
Standard	15 clicks
Sport	13 clicks
Spring preload	12 mm (0.47 in)
Spring rate	
Weight of rider: 65... 75 kg (143... 165 lb.)	54 N/mm (308 lb/in)
Weight of rider: 75... 85 kg (165... 187 lb.)	57 N/mm (325 lb/in)
Weight of rider: 85... 95 kg (187... 209 lb.)	60 N/mm (343 lb/in)
Spring length	260 mm (10.24 in)
Gas pressure	10 bar (145 psi)
Static sag	30 mm (1.18 in)
Riding sag	100 mm (3.94 in)
Fitted length	486 mm (19.13 in)
Shock absorber oil	Shock absorber oil (SAE 2.5) (50180342S1) (☛ p. 238)

23.9.3 XC-F

Shock absorber part number	18.18.7M.77
Shock absorber	WP Suspension 5018 BAVP DCC
Compression damping, low-speed	
Comfort	17 clicks
Standard	15 clicks
Sport	13 clicks
Compression damping, high-speed	
Comfort	2.5 turns
Standard	2 turns
Sport	1.5 turns
Rebound damping	
Comfort	17 clicks
Standard	15 clicks
Sport	13 clicks
Spring preload	12 mm (0.47 in)
Spring rate	
Weight of rider: 65... 75 kg (143... 165 lb.)	54 N/mm (308 lb/in)
Weight of rider: 75... 85 kg (165... 187 lb.)	57 N/mm (325 lb/in)
Weight of rider: 85... 95 kg (187... 209 lb.)	60 N/mm (343 lb/in)
Spring length	260 mm (10.24 in)
Gas pressure	10 bar (145 psi)
Static sag	30 mm (1.18 in)
Riding sag	100 mm (3.94 in)
Fitted length	486 mm (19.13 in)
Shock absorber oil	Shock absorber oil (SAE 2.5) (50180342S1) (☛ p. 238)

23.10 Chassis tightening torques

Screw, air filter box lid	EJOT PT® K60x20-Z	3 Nm (2.2 lbf ft)	-
Screw, fuel pump	EJOT	3 Nm (2.2 lbf ft)	-
Screw, pressure regulator	EJOT PT®	3 Nm (2.2 lbf ft)	-
Spoke nipple, front wheel	M4.5	5... 6 Nm (3.7... 4.4 lbf ft)	-
Spoke nipple, rear wheel	M4.5	5... 6 Nm (3.7... 4.4 lbf ft)	-
Screw, battery terminal	M5	2.5 Nm (1.84 lbf ft)	-
Screw, frame protector	M5	3 Nm (2.2 lbf ft)	-
Screw, intake air temperature sensor	M5	2 Nm (1.5 lbf ft)	-
Screw, shock absorber adjusting ring	M5	5 Nm (3.7 lbf ft)	-
Nut, cable on starter motor	M6	4 Nm (3 lbf ft)	-
Remaining nuts, chassis	M6	10 Nm (7.4 lbf ft)	-
Remaining screws, chassis	M6	10 Nm (7.4 lbf ft)	-
Screw, ball joint of push rod on foot brake cylinder	M6	10 Nm (7.4 lbf ft)	Loctite® 243™
Screw, chain sliding guard	M6	6 Nm (4.4 lbf ft)	Loctite® 243™
Screw, front brake disc	M6	14 Nm (10.3 lbf ft)	Loctite® 243™
Screw, rear brake disc	M6	14 Nm (10.3 lbf ft)	Loctite® 243™
Screw, throttle grip	M6	3 Nm (2.2 lbf ft)	-
Fuel connection on fuel tank	M8	10 Nm (7.4 lbf ft)	-
Nut, foot brake lever stop	M8	20 Nm (14.8 lbf ft)	-
Nut, rear sprocket screw	M8	35 Nm (25.8 lbf ft)	Loctite® 2701™
Nut, rim lock	M8	10 Nm (7.4 lbf ft)	-
Remaining nuts, chassis	M8	25 Nm (18.4 lbf ft)	-
Remaining screws, chassis	M8	25 Nm (18.4 lbf ft)	-
Screw, bottom triple clamp	M8	12 Nm (8.9 lbf ft)	-
Screw, chain sliding piece	M8	15 Nm (11.1 lbf ft)	-
Screw, engine brace	M8	33 Nm (24.3 lbf ft)	-
Screw, fork stub	M8	15 Nm (11.1 lbf ft)	-
Screw, front brake caliper	M8	25 Nm (18.4 lbf ft)	Loctite® 243™
Screw, handlebar clamp	M8	20 Nm (14.8 lbf ft)	-
Screw, subframe	M8	35 Nm (25.8 lbf ft)	Loctite® 2701™
Screw, top steering stem	M8	17 Nm (12.5 lbf ft)	Loctite® 243™
Screw, top triple clamp	M8	17 Nm (12.5 lbf ft)	-
Fuel connection on fuel tank	M8x1.25	10 Nm (7.4 lbf ft)	-
Engine carrying screw	M10	60 Nm (44.3 lbf ft)	-
Remaining nuts, chassis	M10	45 Nm (33.2 lbf ft)	-
Remaining screws, chassis	M10	45 Nm (33.2 lbf ft)	-
Screw, bottom shock absorber	M10	60 Nm (44.3 lbf ft)	Loctite® 2701™
Screw, handlebar support	M10	40 Nm (29.5 lbf ft)	Loctite® 243™
Screw, top shock absorber	M10	60 Nm (44.3 lbf ft)	Loctite® 2701™
Nut, fuel pump	M12	15 Nm (11.1 lbf ft)	-
Nut, seat fixing	M12x1	20 Nm (14.8 lbf ft)	-
Nut, fuel pump fixation	M12x1.75	15 Nm (11.1 lbf ft)	-
Nut, frame to linkage lever	M14x1.5	80 Nm (59 lbf ft)	-
Nut, linkage lever on swingarm	M14x1.5	80 Nm (59 lbf ft)	-
Nut, linkage lever to angle lever	M14x1.5	80 Nm (59 lbf ft)	-
Nut, swingarm pivot	M16x1.5	100 Nm (73.8 lbf ft)	-
Screw, top steering head	M20x1.5	12 Nm (8.9 lbf ft)	-
Screw-in nozzles, cooling system	M20x1.5	12 Nm (8.9 lbf ft)	Loctite® 243™
Screw, front wheel spindle	M24x1.5	45 Nm (33.2 lbf ft)	-
Nut, rear wheel spindle	M25x1.5	80 Nm (59 lbf ft)	-

24.1 Cleaning the motorcycle

Note

Material damage Damage and destruction of components by high-pressure cleaning equipment.

- When cleaning the vehicle with a pressure cleaner, do not point the water jet directly onto electrical components, connectors, cables, bearings, etc. Maintain a minimum distance of 60 cm between the nozzle of the pressure cleaner and the component. Excessive pressure can cause malfunctions or destroy these parts.

Warning

Environmental hazard Hazardous substances cause environmental damage.

- Oil, grease, filters, fuel, cleaners, brake fluid, etc., should be disposed of as stipulated in applicable regulations.

Info

If you clean the motorcycle regularly, its value and appearance will be maintained over a long period. Avoid direct sunshine on the motorcycle during cleaning.



- Close off the exhaust system to prevent water from entering.
- First remove coarse dirt particles with a gentle spray of water.
- Spray very dirty areas with a normal motorcycle cleaner and then clean with a paintbrush.

Motorcycle cleaner (☛ p. 241)

Info

Use warm water containing normal motorcycle cleaner and a soft sponge. Never apply motorcycle cleaner to the dry vehicle; always rinse with water first.

- After rinsing the motorcycle with a gentle spray of water, allow it to dry thoroughly.
- Remove the plug from the exhaust system.



Warning

Danger of accidents Reduced braking efficiency due to a wet or dirty brake system.

- Clean or dry a dirty or wet brake system by riding and braking gently.

- After cleaning, ride a short distance until the engine reaches operating temperature.

Info

The heat produced causes water at inaccessible locations in the engine and the brake system to evaporate.

- After the motorcycle has cooled off, lubricate all moving parts and bearings.
- Clean the chain. (☛ p. 107)
- Treat bare metal parts (except for brake discs and the exhaust system) with a corrosion inhibitor.

Cleaning and preserving materials for metal, rubber and plastic (☛ p. 240)

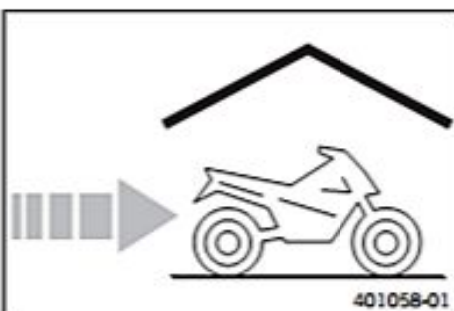
- Treat all plastic parts and powder-coated parts with a mild cleaning and care agent.

Paint cleaner and polish for high-gloss and matte finishes, bare metal and plastic surfaces (☛ p. 241)

25.1 Storage

- Warning**
Danger of poisoning Fuel is poisonous and a health hazard.
- Fuel must not come into contact with the skin, eyes, or clothing. Do not breathe in the fuel vapors. If contact occurs with the eyes, rinse with water immediately and contact a physician. Immediately clean contaminated areas on the skin with soap and water. If fuel is swallowed, contact a physician immediately. Change clothing that is contaminated with fuel. Store fuel properly in a suitable canister and keep away from children.

- Info**
 If you want to garage the motorcycle for a longer period, take the following steps.
 Before storing the motorcycle, check all parts for function and wear. If service, repairs or replacements are necessary, you should do this during the storage period (less workshop overload). In this way, you can avoid long workshop waiting times at the start of the new season.



- When refueling for the last time before taking the motorcycle out of service, add fuel additive.

Fuel additive (☞ p. 240)

- Refuel.
- Clean the motorcycle. (☞ p. 221)
- Change the engine oil and oil filter and clean the oil screens. (☞ p. 205)
- Check the antifreeze and coolant level. (☞ p. 201)
- Check the tire air pressure. (☞ p. 98)
- Remove the battery. (☞ p. 109)
- Charge the battery. (☞ p. 110)

Guideline

Storage temperature of battery without direct sunlight	0... 35 °C (32... 95 °F)
--	--------------------------

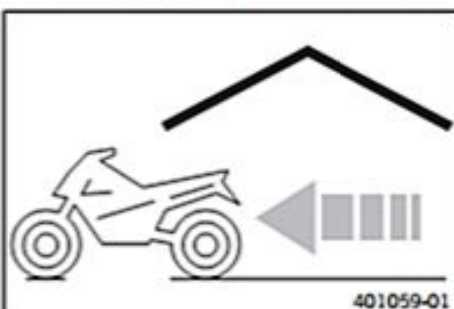
- Store the vehicle in a dry location that is not subject to large fluctuations in temperature.

- Info**
 KTM recommends raising the motorcycle.

- Raise the motorcycle with the lift stand. (☞ p. 10)
- Cover the vehicle with a tarp or a cover that is permeable to air.

- Info**
 Do not use non-porous materials since they prevent humidity from escaping, thus causing corrosion.
 Avoid running the engine for a short time only. Since the engine cannot warm up properly, the water vapor produced during combustion condenses and causes valves and exhaust system to rust.

25.2 Preparing for use after storage



- Install the battery. (☞ p. 109)
- Remove the motorcycle from the lift stand. (☞ p. 10)
- Perform checks and maintenance work when preparing the vehicle for use.
- Make a test ride.

26.1 Service schedule

	Every 30 operating hours - corresponds to about 210 liters of fuel (55.5 US gal)	Every 20 operating hours - corresponds to about 140 liters of fuel (37 US gal)	Every 10 operating hours - corresponds to about 70 liters of fuel (18.5 US gal) / after every race	Once after 1 operating hour - corresponds to about 7 liters of fuel (1.8 US gal)
Read out the fault memory using the KTM diagnostics tool.	○	●	●	●
Check and charge the battery.		●	●	●
Check the front brake linings. (☛ p. 114)		●	●	●
Check the rear brake linings. (☛ p. 119)		●	●	●
Check the brake discs. (☛ p. 98)		●	●	●
Check the brake lines for damage and leakage.		●	●	●
Check the rear brake fluid level. (☛ p. 121)		●	●	●
Check the free travel of the foot brake lever. (☛ p. 120)		●	●	●
Check the frame and swingarm.		●	●	●
Check the swingarm bearing.			●	
Check the shock absorber linkage. (☛ p. 62)		●	●	●
Conduct a minor fork service. (☛ p. 16)		●	●	●
Conduct a major fork service. (☛ p. 15)				●
Check the tire condition. (☛ p. 98)	○	●	●	●
Check the tire air pressure. (☛ p. 98)	○	●	●	●
Check the wheel bearing for play.		●	●	●
Check the wheel hubs.		●	●	●
Check the rim run-out.	○	●	●	●
Check the spoke tension. (☛ p. 99)	○	●	●	●
Check the chain, rear sprocket, engine sprocket and chain guide. (☛ p. 105)		●	●	●
Check the chain tension. (☛ p. 103)	○	●	●	●
Grease all moving parts (e.g., hand lever, chain, ...) and check for smooth operation.		●	●	●
Check/correct the fluid level of the hydraulic clutch. (☛ p. 200)		●	●	●
Check the front brake fluid level. (☛ p. 116)		●	●	●
Check the free travel of the hand brake lever. (☛ p. 115)		●	●	●
Check the steering head bearing play. (☛ p. 51)	○	●	●	●
Check the valve clearance.	○			●
Check the clutch.			●	
Change the engine oil and oil filter and clean the oil screens. (☛ p. 205)	○	●	●	●
Check all hoses (e. g. fuel, cooling, bleeding, drainage) and sleeves for tearing, leaks and incorrect routing.	○	●	●	●
Check the antifreeze and coolant level. (☛ p. 201)	○	●	●	●
Check the cables for damage and routing without sharp bends.		●	●	●
Check that the cables are undamaged, routed without sharp bends and set correctly.	○	●	●	●
Clean the air filter and air filter box. (☛ p. 84)		●	●	●
Change the glass fiber yarn filling of the main silencer. (☛ p. 81)			●	
Check the screws and nuts for tightness.	○	●	●	●
Change the fuel screen. (☛ p. 94)	○	●	●	●
Check the fuel pressure. (☛ p. 89)		●	●	●
Check idle.	○	●	●	●
Final check: Check the vehicle for safe operation and take a test ride.	○	●	●	●
Read out the fault memory using the KTM diagnostics tool after a test ride.	○	●	●	●
Make the service entry in KTM DEALER.NET and in the service record.	○	●	●	●

○ One-time interval

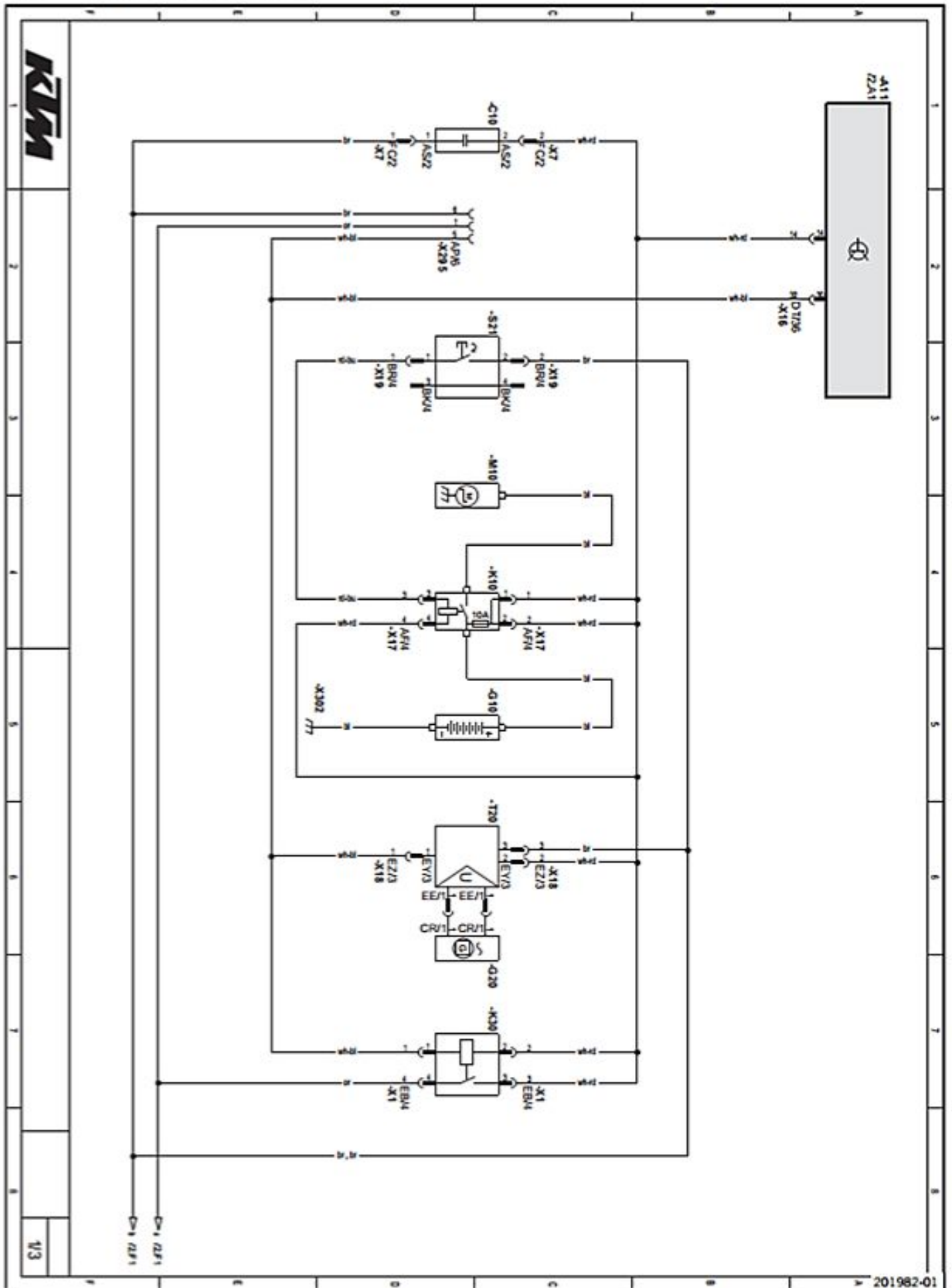
● Periodic interval

26.2 Service work (as additional order)

				Annually
	Every 100 operating hours - corresponds to about 700 liters of fuel (185 US gal)			
	Every 50 operating hours - corresponds to about 350 liters of fuel (92.5 US gal)			
	Every 40 operating hours - corresponds to about 280 liters of fuel (74 US gal)			
	Once after 20 operating hours			
Change the front brake fluid. (☛ p. 118)				•
Change the rear brake fluid. (☛ p. 122)				•
Change the hydraulic clutch fluid. (☛ p. 200)				•
Grease the steering head bearing. (☛ p. 49)				•
Service the shock absorber. (☛ p. 64)	○	•		
Change the spark plug and spark plug connector.				•
Change the piston.			•	•
Check/measure the cylinder.			•	•
Check the cylinder head.			•	•
Change the valves, valve springs and valve spring seats.				•
Check the camshaft and rocker arm.			•	•
Change the connecting rod, conrod bearing, and crank pin.				•
Change the shaft seal rings of the water pump.			•	•
Check the transmission and shift mechanism.				•
Check the oil pressure regulator valve.				•
Change the suction pump.				•
Check the pressure pump and lubrication system.				•
Replace the timing chain.				•
Check the timing assembly.			•	•
Change all engine bearings.				•

- One-time interval
- Periodic interval

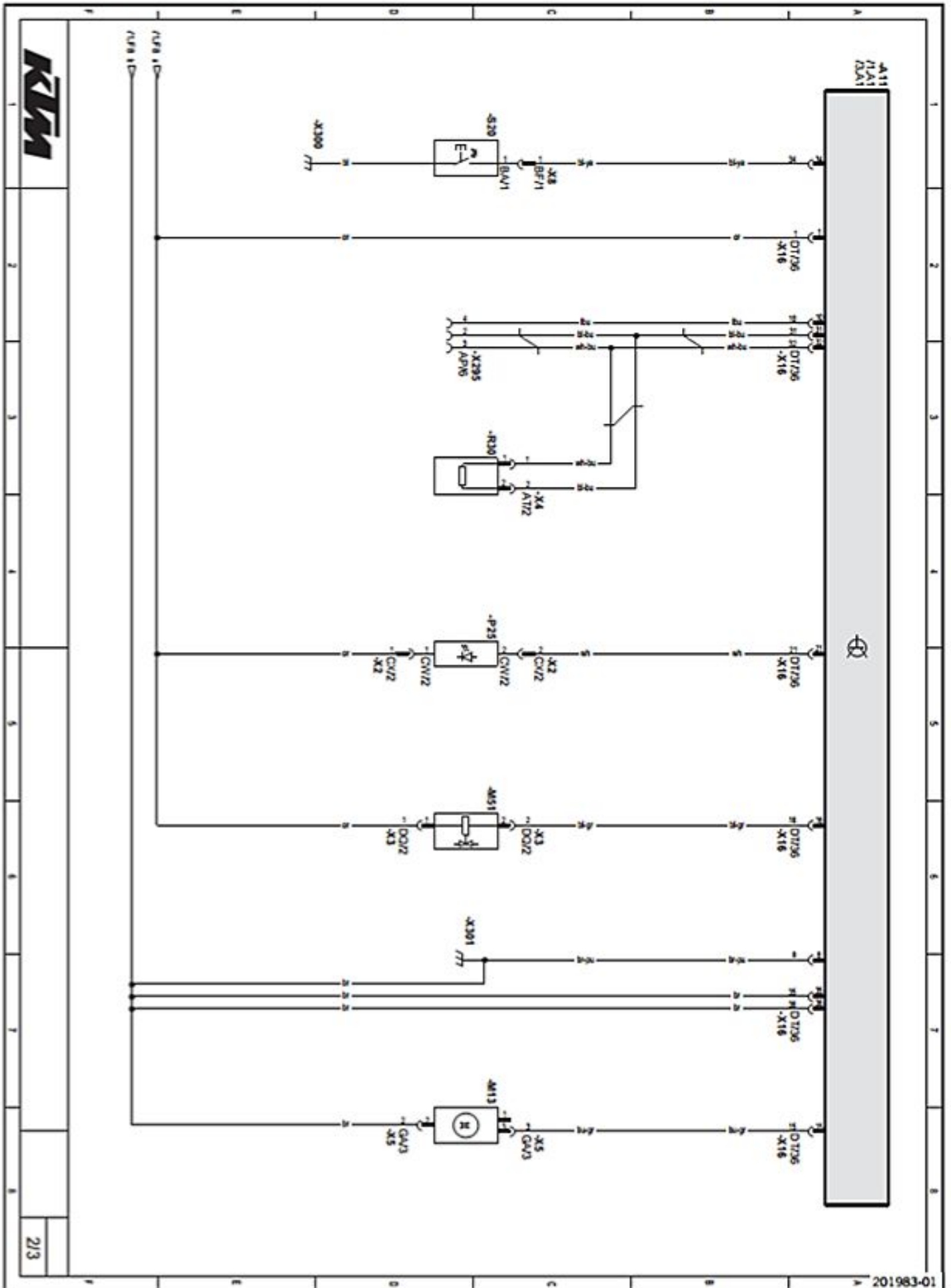
27.1 Page 1 of 3 (All SX-F models)



Components:

A11	EFI control unit
C10	Capacitor
G10	Battery
G20	Alternator
K10	Starter relay with main fuse
K30	Power relay
M10	Starter motor
T20	Voltage regulator
S21	Electric starter button
X295	Diagnostics connector

27.2 Page 2 of 3 (All SX-F models)



Components:

A11	EFI control unit
-----	------------------

M13	Fuel pump
-----	-----------

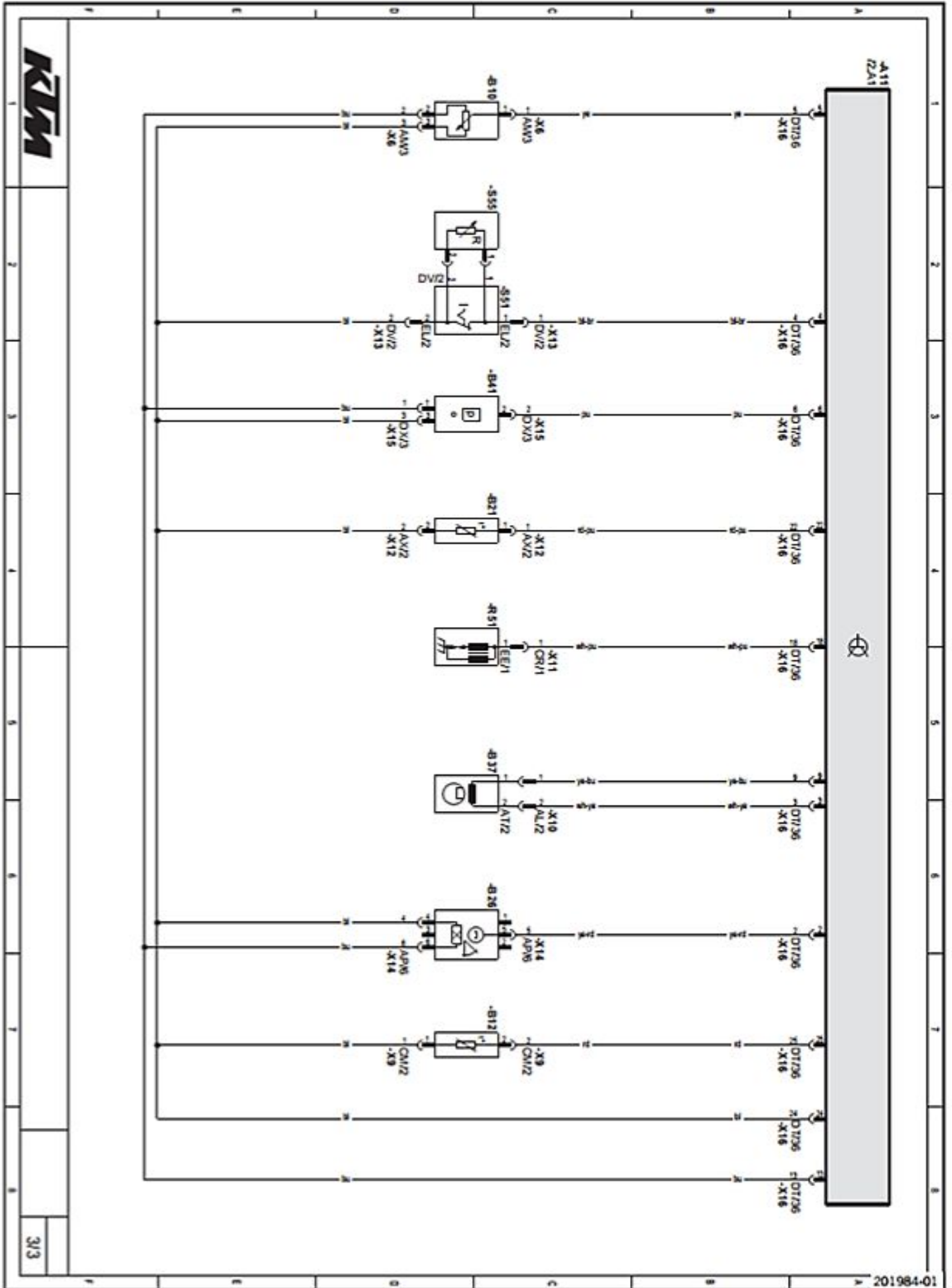
M51	Injector (cylinder 1)
-----	-----------------------

P25	FI warning lamp (MIL)
-----	---------------------------------------

R30	CAN-Bus terminating resistor
-----	------------------------------

S20	Kill switch
-----	-------------

X295	Diagnostics connector
------	-----------------------

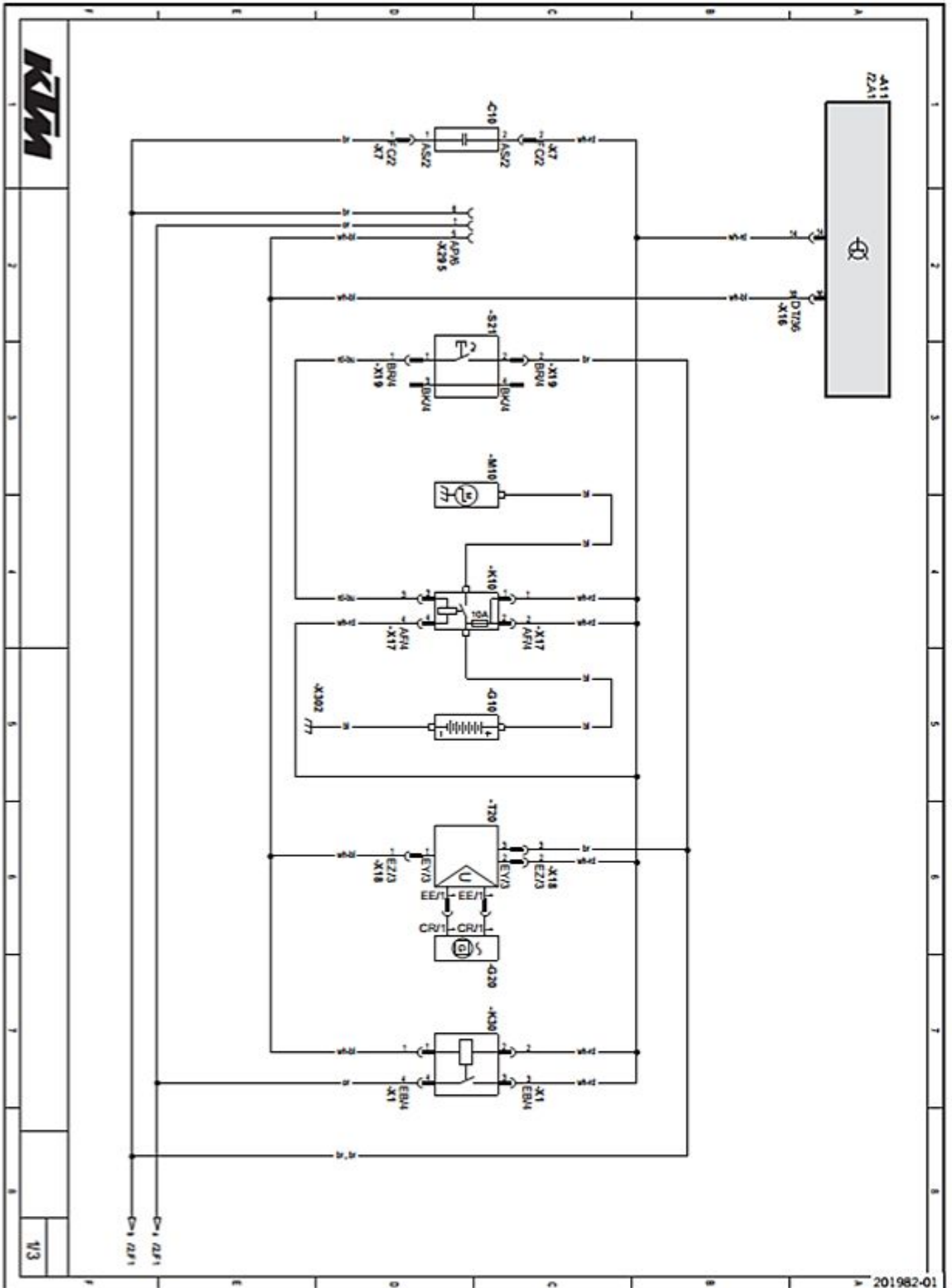


Components:

A11	EFI control unit
B10	Throttle position sensor circuit A
B12	Intake air temperature sensor
B21	Engine coolant temperature sensor (cylinder 1)
B26	Rollover sensor
B37	Crankshaft position sensor
B41	Manifold absolute pressure sensor (cylinder 1)
R51	Ignition coil (cylinder 1)
S51	Map-Select switch for riding operation (optional)
S55	Map-Select switch (optional)

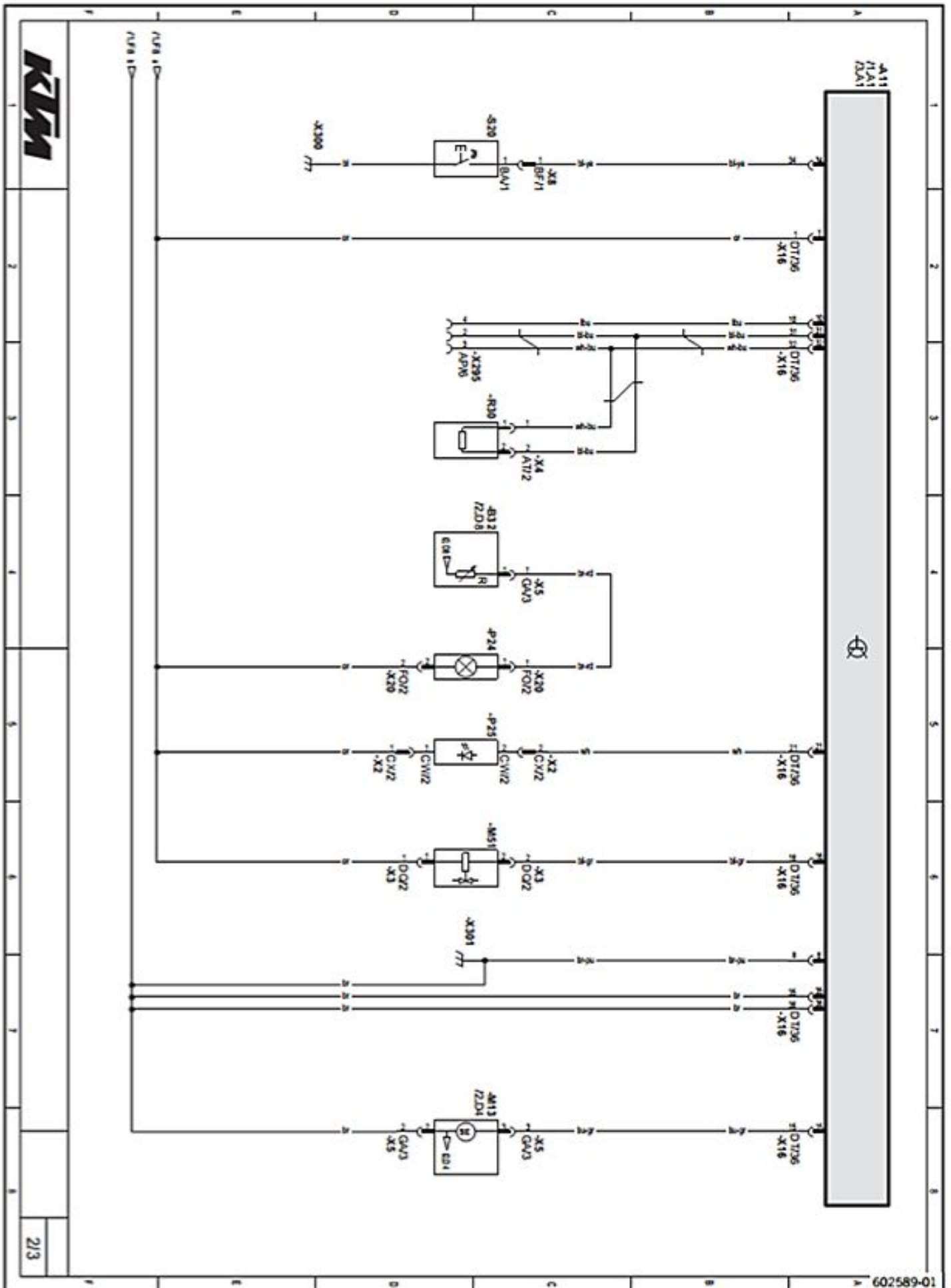
Cable colors:

bl	Black
br	Brown
bu	Blue
gn	Green
gr	Gray
lbu	Light blue
or	Orange
pk	Pink
pu	Violet
rd	Red
wh	White
ye	Yellow



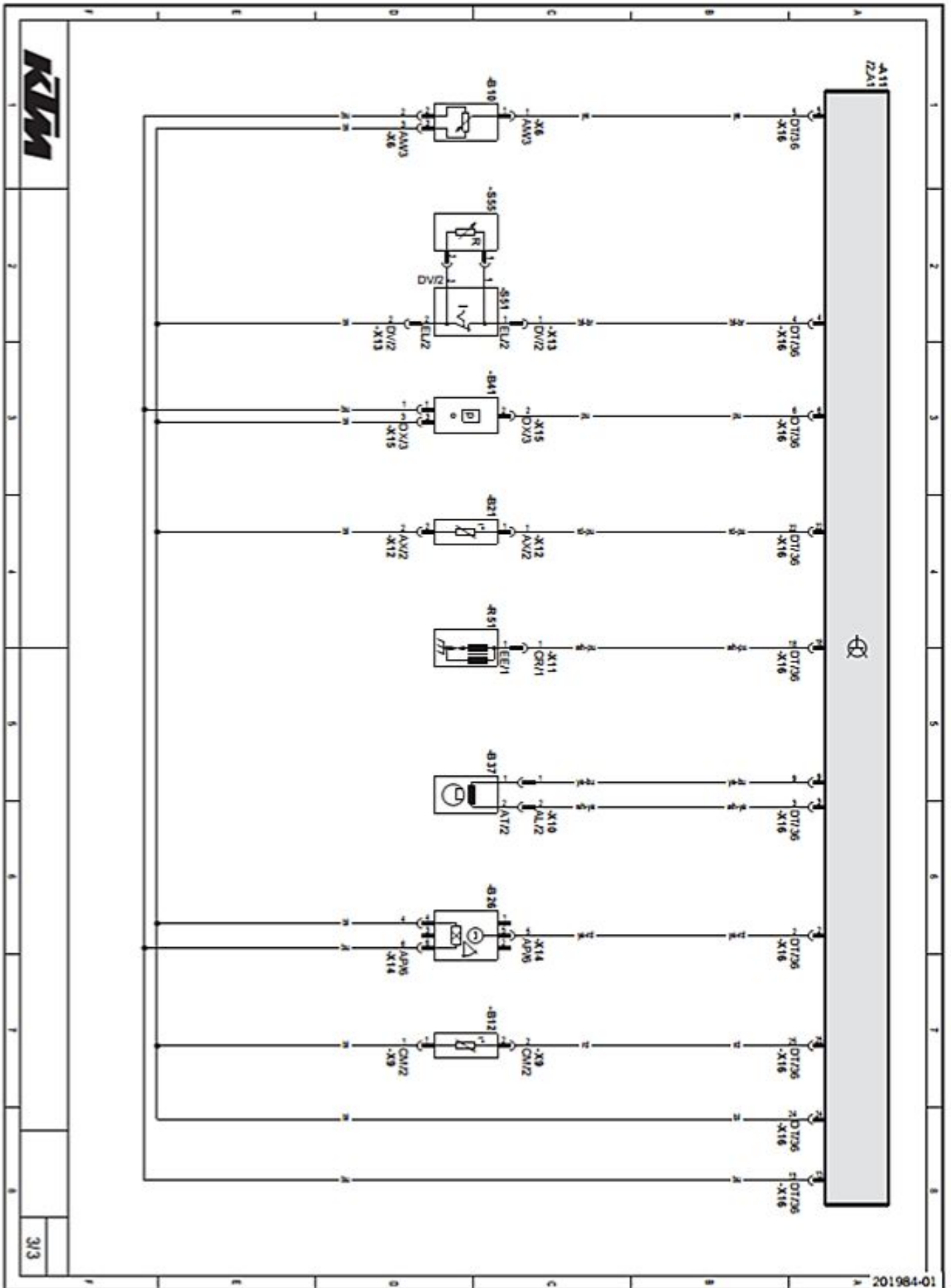
Components:

A11	EFI control unit
C10	Capacitor
G10	Battery
G20	Alternator
K10	Starter relay with main fuse
K30	Power relay
M10	Starter motor
T20	Voltage regulator
S21	Electric starter button
X295	Diagnostics connector



Components:

A11	EFI control unit
B32	Fuel level indicator
M13	Fuel pump
M51	Injector (cylinder 1)
P24	Low fuel warning lamp
P25	FI warning lamp (MIL)
R30	CAN-bus terminating resistor
S20	Kill switch
X295	Diagnostics connector



Components:

A11	EFI control unit
B10	Throttle position sensor circuit A
B12	Intake air temperature sensor
B21	Engine coolant temperature sensor (cylinder 1)
B26	Rollover sensor
B37	Crankshaft position sensor
B41	Manifold absolute pressure sensor (cylinder 1)
R51	Ignition coil (cylinder 1)
S51	Map switch for riding operation (optional)
S55	Map-Select switch (optional)

Cable colors:

bl	Black
br	Brown
bu	Blue
gn	Green
gr	Gray
lbu	Light blue
or	Orange
pk	Pink
pu	Violet
rd	Red
wh	White
ye	Yellow

Brake fluid DOT 4 / DOT 5.1**According to**

- DOT

Guideline

- Use only brake fluid that complies with the specified standard (see specifications on the container) and that possesses the corresponding properties. KTM recommends **Castrol** and **Motorex®** products.

Supplier**Castrol**

- RESPONSE BRAKE FLUID SUPER DOT 4

Motorex®

- Brake Fluid DOT 5.1

Coolant**Guideline**

- Use only suitable coolant (also in countries with high temperatures). Use of low-quality antifreeze can lead to corrosion and foaming. KTM recommends **Motorex®** products.

Mixture ratio

Antifreeze protection: -25... -45 °C (-13... -49 °F)	50 % corrosion inhibitor/antifreeze 50 % distilled water
--	---

Coolant (mixed ready to use)

Antifreeze	-40 °C (-40 °F)
------------	-----------------

Supplier**Motorex®**

- COOLANT G48

Engine oil (SAE 10W/50)**According to**

- JASO T903 MA (☛ p. 256)
- SAE (☛ p. 256) (SAE 10W/50)

Guideline

- Use only engine oils that comply with the specified standards (see specifications on the container) and that possess the corresponding properties. KTM recommends **Motorex®** products.

Synthetic engine oil

Supplier**Motorex®**

- Cross Power 4T

Fork oil (SAE 4) (48601166S1)**According to**

- SAE (☛ p. 256) (SAE 4)

Guideline

- Use only oils that comply with the specified standards (see specifications on the container) and that possess the corresponding properties.

Shock absorber oil (SAE 2.5) (50180342S1)**According to**

- SAE (☛ p. 256) (SAE 2.5)

Guideline

- Use only oils that comply with the specified standards (see specifications on the container) and that possess the corresponding properties.

Super unleaded (ROZ 95/RON 95/PON 91)

According to

- DIN EN 228 (ROZ 95/RON 95/PON 91)

Guideline

- Only use unleaded super fuel that matches or is equivalent to the specified fuel grade.
- Fuel with an ethanol content of up to 10 % (E10 fuel) is safe to use.



Info

Do not use fuel containing methanol (e. g. M15, M85, M100) or more than 10 % ethanol (e. g. E15, E25, E85, E100).

Air filter cleaner

Guideline

- KTM recommends **Motorex®** products.

Supplier**Motorex®**

- Twin Air Dirt Bio Remover

Chain cleaner

Guideline

- KTM recommends **Motorex®** products.

Supplier**Motorex®**

- Chain Clean

Cleaning and preserving materials for metal, rubber and plastic

Guideline

- KTM recommends **Motorex®** products.

Supplier**Motorex®**

- Protect & Shine

Fuel additive

Guideline

- KTM recommends **Motorex®** products.

Supplier**Motorex®**

- Fuel Stabilizer

High viscosity grease

Guideline

- KTM recommends **SKF®** products.

Supplier**SKF®**

- LGHB 2

Long-life grease

Guideline

- KTM recommends **Motorex®** products.

Supplier**Motorex®**

- Bike Grease 2000

Lubricant (T158)

Guideline

- KTM recommends **Lubcon®** products.

Supplier**Lubcon®**

- Turmogrease® PP 300

Lubricant (T511)

Guideline

- KTM recommends **Lubcon®** products.

Supplier**Lubcon®**

- Turmsilon® GTI 300 P

Lubricant (T625)

Guideline

- KTM recommends **Molykote®** products.

Supplier

Molykote®

- 33 Medium

Lubricant (T152)

Guideline

- KTM recommends **Bel-Ray®** products.

Supplier

Bel-Ray®

- **Molyube® Anti-Seize**

Lubricant (T159)

Guideline

- KTM recommends **Bel-Ray®** products.

Supplier

Bel-Ray®

- **MC-11®**

Motorcycle cleaner

Guideline

- KTM recommends **Motorex®** products.

Supplier

Motorex®

- **Moto Clean 900**

Off-road chain spray

Guideline

- KTM recommends **Motorex®** products.

Supplier

Motorex®

- **Chainlube Offroad**

Oil for foam air filter

Guideline

- KTM recommends **Motorex®** products.

Supplier

Motorex®

- **Twin Air Liquid Bio Power**

Paint cleaner and polish for high-gloss and matte finishes, bare metal and plastic surfaces

Guideline

- KTM recommends **Motorex®** products.

Supplier

Motorex®

- **Clean & Polish**

Universal oil spray

Guideline

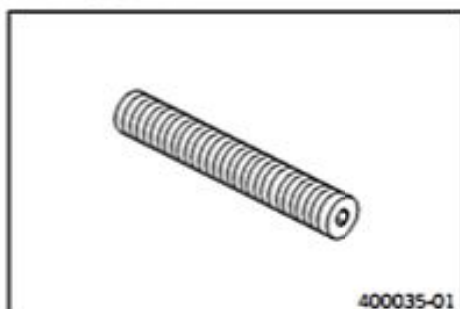
- KTM recommends **Motorex®** products.

Supplier

Motorex®

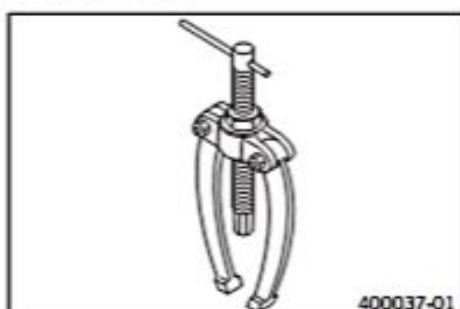
- **Joker 440 Synthetic**

Locking screw



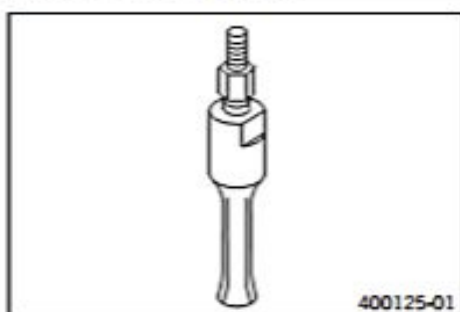
Art. no.: 113080802

Bearing puller



Art. no.: 15112017000

Insert for bearing puller

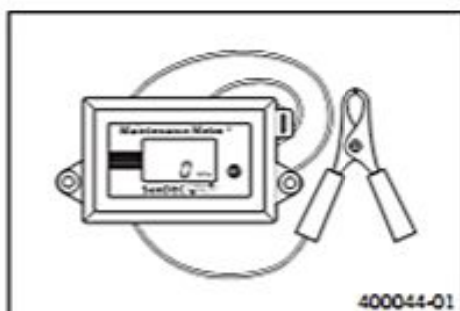


Art. no.: 15112018100

Feature

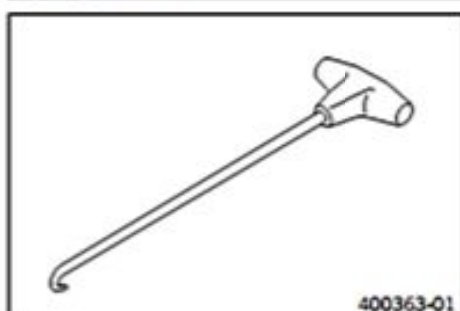
18... 23 mm (0.71... 0.91 in)

Tachometer



Art. no.: 45129075000

Spring hooks



Art. no.: 50305017000

Bleed syringe



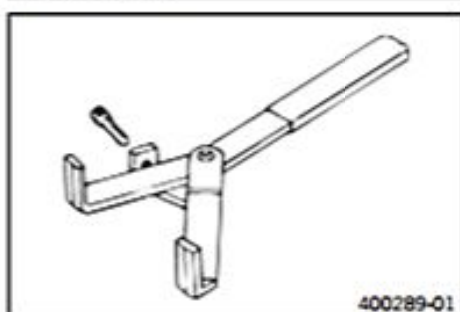
Art. no.: 50329050000

Circlip pliers reverse



Art. no.: 51012011000

Clutch holder



Art. no.: 51129003000

Lift stand



Art. no.: 54829055000

Extractor



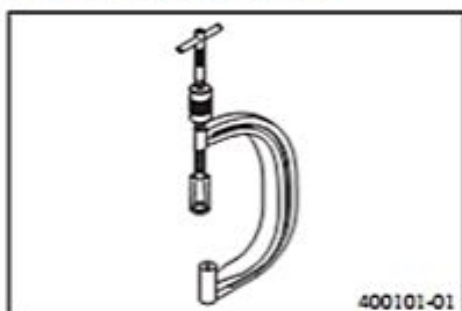
Art. no.: 58012009000

Torque wrench with various accessories in set



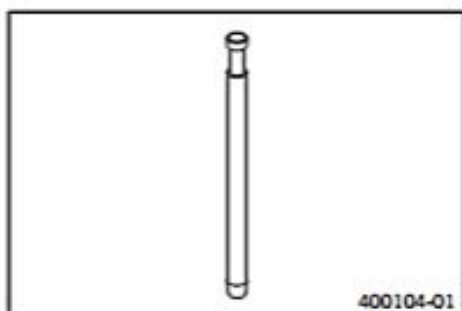
Art. no.: 58429094000

Valve spring compressor



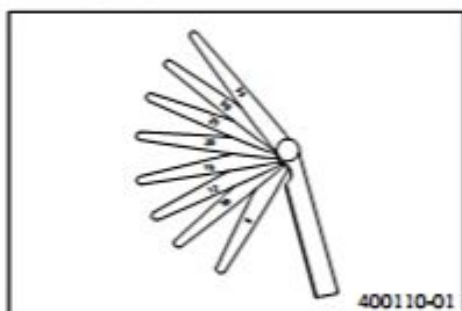
Art. no.: 59029019000

Limit plug gauge



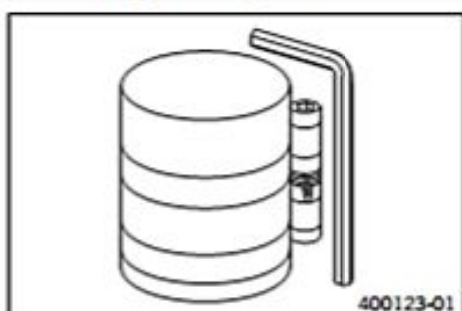
Art. no.: 59029026006

Feeler gauge



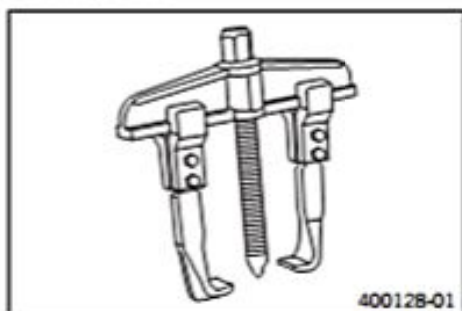
Art. no.: 59029041100

Piston ring mounting tool



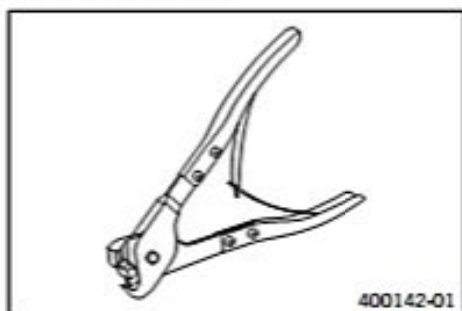
Art. no.: 60029015000

Puller, 2-arm



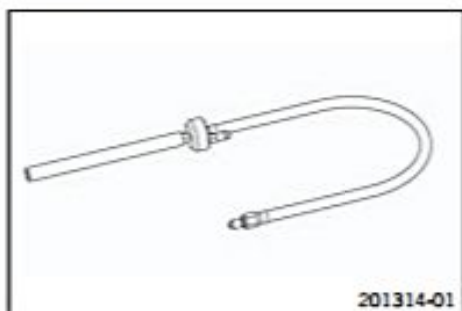
Art. no.: 60029033000

Hose clamp pliers



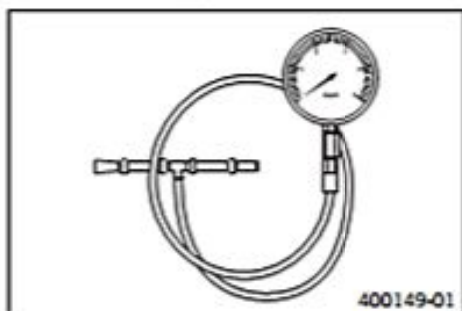
Art. no.: 60029057000

Testing hose



Art. no.: 61029093000

Pressure testing tool



Art. no.: 61029094000

Engine assembly stand



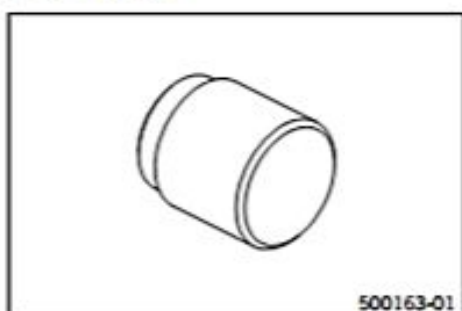
Art. no.: 61229001000

Extractor



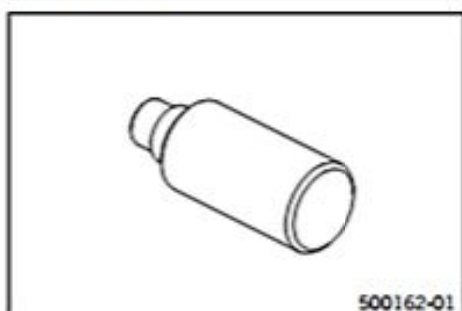
Art. no.: 75029021000

Push-in drift



Art. no.: 75029044010

Push-in drift



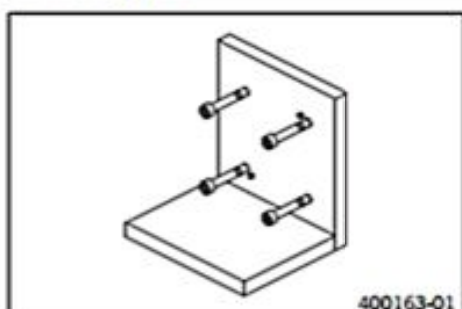
Art. no.: 75029044020

Pressing device for crankshaft, complete



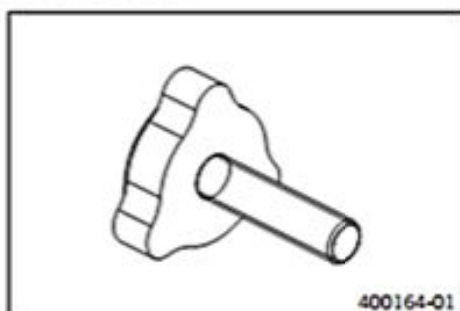
Art. no.: 75029047000

Clamping plate



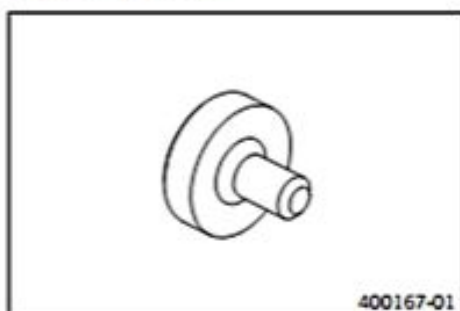
Art. no.: 75029050000

Push-out drift



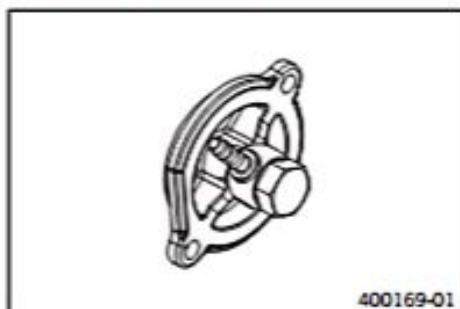
Art. no.: 75029051000

Protection cover



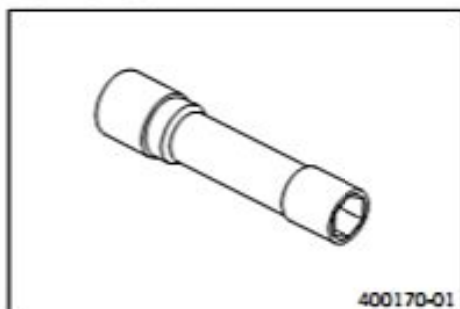
Art. no.: 75029090000

Oil pressure adapter



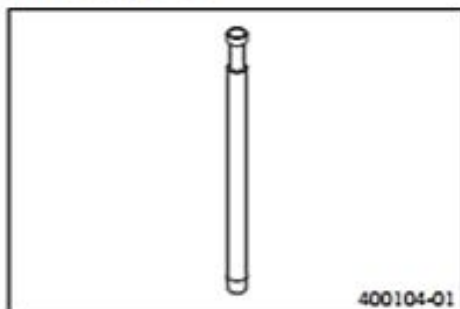
Art. no.: 75029094000

Spark plug wrench



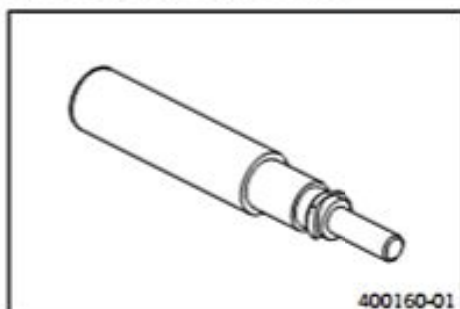
Art. no.: 75029172000

Limit plug gauge



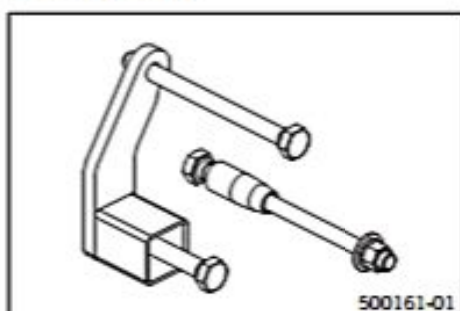
Art. no.: 77029026000

Insert for piston pin retainer



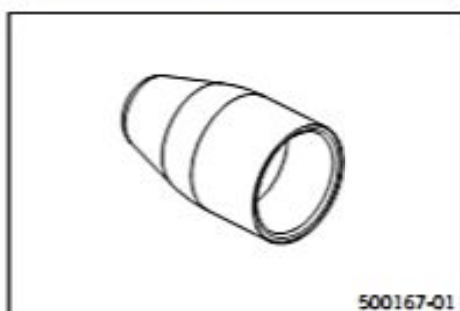
Art. no.: 77329030100

Engine bracket



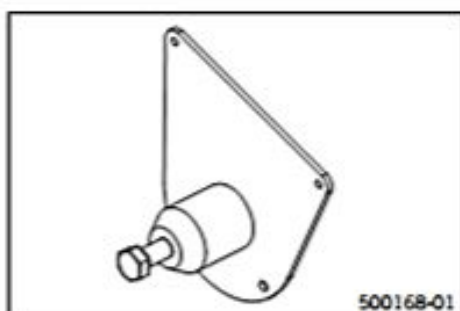
Art. no.: 78029002000

Mounting sleeve



Art. no.: 78029005000

Removal tool



Art. no.: 78029049100

Valve spring mounting device



Art. no.: 78029060000

Fixing drift



Art. no.: 78129032000

Insert for crankshaft pressing tool



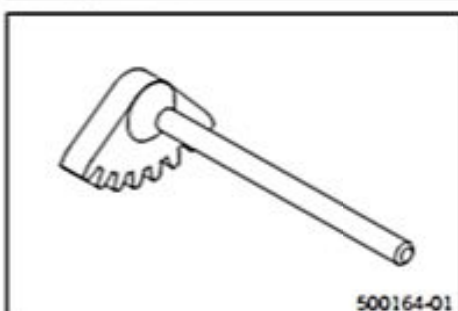
Art. no.: 78929008000

Separator plate



Art. no.: 78929009000

Gear quadrant



Art. no.: 80029004000

Mounting sleeve



Art. no.: 90129005000

Case separating tool



Art. no.: 90129048000

Pin wrench



Art. no.: T103

Hook wrench



Art. no.: T106S

Depth micrometer



Art. no.: T107S

Pin



Art. no.: T120

Mounting sleeve



Art. no.: T1204

Calibration pin



Art. no.: T1205

Pressing tool



Art. no.: T1206

Pressing tool



Art. no.: T1207S

Mounting sleeve



Art. no.: T1215

Disassembly tool



Art. no.: T1216

Vacuum pump



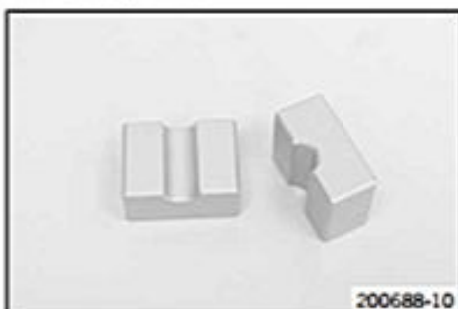
Art. no.: T1240S

Protecting sleeve



Art. no.: T1401

Clamping stand



Art. no.: T14016S

Ring wrench



Art. no.: T14017

Nitrogen charging tool



Art. no.: T14019

Support tool



Art. no.: T14020

Calibrating unit



Art. no.: T14021

Mounting tool



Art. no.: T14022

Threaded bushing



Art. no.: T14023

Mounting sleeve



Art. no.: T14029

200855-10

Assembly tool



Art. no.: T1402S

200634-10

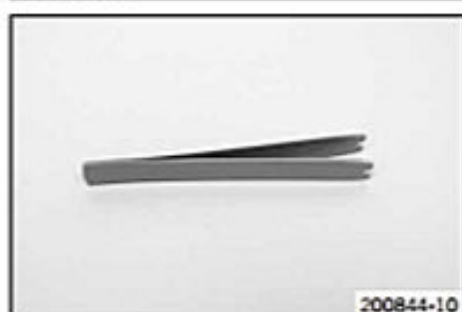
Filling adapter



Art. no.: T14030

200886-10

Tweezers



Art. no.: T14033

200844-10

Clamping stand



Art. no.: T1403S

200637-10

Press drift



Art. no.: T1504

200789-10

Assembly tool



Art. no.: T150S

200791-10

Nitrogen filling tool



Art. no.: T170S1

300574-10

JASO T903 MA

Different technical development directions required a new specification for 4-stroke motorcycles – the JASO T903 MA Standard. Earlier, engine oils from the automobile industry were used for 4-stroke motorcycles because there was no separate motorcycle specification. Whereas long service intervals are demanded for automobile engines, high performance at high engine speeds are in the foreground for motorcycle engines. In most motorcycles, the gearbox and the clutch are lubricated with the same oil as the engine. The JASO MA Standard meets these special requirements.

SAE

The SAE viscosity classes were defined by the Society of Automotive Engineers and are used for classifying oils according to their viscosity. The viscosity describes only one property of oil and says nothing about quality.

A	
Accessories	8
Air filter	
cleaning	84
installing	84
removing	83
Air filter box	
cleaning	84
sealing	85
Air filter box lid	
installing	83
removing	83
securing	85
Alternator	
stator winding, checking	209
Antifreeze	
checking	201
Assembling the engine	
crankshaft, installing	181
valve clearance, checking	196
Auxiliary substances	8
B	
Battery	
charging	110
installing	109
removing	109
Brake disc	
front brake, installing	101
front brake, removing	101
rear brake, installing	103
rear brake, removing	103
Brake discs	
checking	98
Brake fluid	
front brake, adding	117
front brake, changing	118
rear brake, adding	122
rear brake, changing	122
Brake fluid level	
front brake, checking	116
rear brake, checking	121
Brake linings	
front brake, changing	114
front brake, checking	114
rear brake, changing	119
rear brake, checking	119
C	
Capacitor	
checking	111
Capacity	
coolant	203, 215
engine oil	134, 206, 215
fuel	215
Cartridge	
fork legs, assembling	35
fork legs, disassembling	19
Chain	
checking	105
cleaning	107
Chain guide	
adjusting	105
checking	105
Chain tension	
adjusting	104
checking	103
Charging voltage	
checking	111
Chassis number	9
Clutch	
checking/correcting the fluid level	200
fluid, changing	200
Clutch lever	
basic position, adjusting	53
Compression damping	
fork, adjusting	12
Compression damping, high-speed	
shock absorber, adjusting	56
Compression damping, low-speed	
shock absorber, adjusting	56
Conducting major fork service	15
Conducting minor fork service	16
Coolant	
draining	202
refilling	203
Coolant level	
checking	201
Cooling system	201
Cylinder - Nikasil® coating	157
E	
Engine	
installing	129
removing	124
Engine - work on individual parts	
autodecompressor, assembling	160
autodecompressor, disassembling	159
camshaft bearing, changing	163
camshaft, checking	161
clutch, checking	167
connecting rod, conrod bearing, and crank pin, changing	155
countershaft, assembling	177
countershaft, disassembling	172
crankshaft run-out at the bearing pin, checking	157
crankshaft seal ring in clutch cover, changing	153
cylinder - Nikasil® coating	157
cylinder head, checking	164
cylinder, checking/measuring	157
freewheel, checking	180
freewheel, installing	180
freewheel, removing	180
left engine case section	151
main shaft, assembling	176
main shaft, disassembling	171

- oil pressure regulator valve, installing 153
 - oil pressure regulator valve, removing 152
 - oil pumps, checking 159
 - piston ring end gap, checking 158
 - piston, checking/measuring 158
 - piston/cylinder, determining the mounting clearance .. 159
 - right engine case section 150
 - rocker arm shafts, checking 165
 - rocker arm, installing 166
 - rocker arm, removing 162
 - shift mechanism, checking 168
 - shift shaft, preassembling 170
 - spring length of oil pressure regulator valve, checking . 152
 - starter drive, checking 179
 - timing assembly, checking 161
 - timing chain sprocket, installing 155
 - timing chain sprocket, removing 155
 - transmission, checking 173
 - valve spring seat, checking 164
 - valve springs, checking 164
 - valves, checking 163
 - valves, installing 165
 - valves, removing 162
 - water pump, installing 154
 - water pump, removing 153
- Engine assembly**
- alternator cover, installing 196
 - camshaft, installing 195
 - clutch cover, installing 190
 - clutch discs, installing 188
 - clutch push rod, installing 198
 - cylinder head, installing 194
 - engine, removing from engine assembly stand 199
 - force pump, installing 185
 - freewheel gear, installing 185
 - ignition pulse generator, installing 191
 - left engine case, installing 184
 - locking lever, installing 186
 - oil filter, installing 197
 - oil screens, installing 198
 - outer clutch hub, installing 187
 - piston, installing 192
 - primary gear, installing 185
 - rotor, installing 192
 - shift drum locating unit, installing 186
 - shift drum, installing 183
 - shift forks, installing 182
 - shift rails, installing 183
 - shift shaft, installing 187
 - spark plug, installing 197
 - starter idler gear, installing 187
 - starter motor, installing 197
 - suction pump, installing 191
 - timing chain tensioner, installing 195
 - timing chain, installing 191
 - torque limiter, installing 187
 - transmission shafts, installing 181
 - valve clearance, adjusting 196
 - valve cover, installing 197
 - water pump cover, installing 190
- Engine disassembly**
- alternator cover, removing 137
 - camshaft, removing 138
 - clutch cover, removing 141
 - clutch discs, removing 142
 - clutch push rod, removing 136
 - crankshaft, removing 149
 - cylinder head, removing 139
 - engine oil, draining 135
 - engine, positioning at ignition top dead center 137
 - force pump, removing 145
 - freewheel gear, removing 146
 - ignition pulse generator, removing 140
 - left section of the engine case, removing 146
 - locking lever, removing 144
 - oil filter, removing 136
 - outer clutch hub, removing 143
 - piston, removing 139
 - preparations 135
 - primary gear, removing 146
 - rotor, removing 139
 - shift drum locating unit, removing 144
 - shift drum, removing 147
 - shift forks, removing 148
 - shift rails, removing 147
 - shift shaft, removing 144
 - spark plug, removing 136
 - starter idler gear, removing 144
 - starter motor, removing 136
 - suction pump, removing 141
 - timing chain tensioner, removing 138
 - timing chain, removing 140
 - torque limiter, removing 144
 - transmission shafts, removing 148
 - valve cover, removing 137
 - water pump cover, removing 141
- Engine number** 9
- Engine oil**
- adding 207
 - changing 205
- Engine oil level**
- checking 204
- Engine oil pressure**
- checking 207
- Engine sprocket**
- checking 105
- F**
- Figures** 8
- Filler cap**
- closing 86
 - opening 86
- Foot brake lever**
- basic position, adjusting 121
 - free travel, checking 120
- Fork legs**
- assembling 37, 40, 44
 - bleeding 13
 - cartridge, assembling 35
 - cartridge, bleeding and filling 47

- cartridge, disassembling 19
- cartridge, filling with nitrogen 48
- checking 24-25, 27
- compression damping, adjusting 12
- disassembling 16
- dust boots, cleaning 13
- installing 14
- major fork service, conducting 15
- minor fork service, checking 28-29, 31
- minor fork service, conducting 16
- pilot bushing, changing 32
- piston rod, assembling 34
- piston rod, disassembling 21
- rebound damping, adjusting 12
- removing 14
- screw cap with membrane holder, assembling 33
- screw cap with membrane holder, disassembling 22
- screw sleeve, assembling 33
- screw sleeve, disassembling 23
- Fork protector**
 - installing 15
 - removing 15
- Front fender**
 - installing 96
 - removing 96
- Front wheel**
 - installing 100
 - removing 99
- Fuel filter**
 - changing 92
- Fuel pressure**
 - checking 89
- Fuel pump**
 - changing 90
- Fuel screen**
 - changing 94
- Fuel tank**
 - installing 88
 - removing 87
- Fuse**
 - main fuse, changing 108
- H**
- Hand brake lever**
 - basic position, adjusting 116
 - free travel, checking 115
- Handlebar position**
 - adjusting 53
- I**
- Idle speed**
 - adjusting 212
- Ignition coil**
 - secondary winding, checking 209
- Initialization run**
 - executing 212
- L**
- Lower triple clamp**
 - installing 50
 - removing 49
- M**
- Main fuse**
 - changing 108
- Main silencer**
 - glass fiber yarn filling, changing 81
 - installing 81
 - removing 81
- Manifold**
 - installing 80
 - removing 80
- Motorcycle**
 - cleaning 221
 - raising with lift stand 10
 - removing from lift stand 10
- O**
- Oil circuit** 204
- Oil filter**
 - changing 205
- Oil pressure regulator valve**
 - installing 153
 - removing 152
 - spring length, checking 152
- Oil screens**
 - cleaning 205
- Operating substances** 8
- P**
- Piston rod**
 - fork legs, assembling 34
 - fork legs, disassembling 21
- Play in throttle cable**
 - adjusting 54
- Preparing for use**
 - after storage 222
- Q**
- Quiescent current**
 - checking 111
- R**
- Rear sprocket**
 - checking 105
- Rear wheel**
 - installing 102
 - removing 102
- Rebound damping**
 - fork, adjusting 12
 - shock absorber, adjusting 57
- Riding sag**
 - adjusting 59
- S**
- Screw cap with membrane holder**
 - fork legs, assembling 33

fork legs, disassembling	22	Storage	222
Screw sleeve		T	
fork legs, assembling	33	Technical data	
fork legs, disassembling	23	capacities	215
Seat		chassis	215
mounting	87	chassis tightening torques	220
removing	87	electrical system	216
Service schedule	223-224	engine	213
Servicing the shock absorber	64	engine - tolerance, wear limits	213
Shock absorber		engine tightening torques	214
compression damping, high-speed, adjusting	56	fork	217
compression damping, low-speed, adjusting	56	shock absorber	218
damper, assembling	73	tires	216
damper, bleeding and filling	75	Throttle cable play	
damper, checking	68	checking	54
damper, disassembling	65	Throttle cable routing	
damper, filling with nitrogen	77	checking	54
heim joint, installing	70	Tire air pressure	
heim joint, removing	69	checking	98
installing	61	Tire condition	
pilot bushing, changing	68	checking	98
piston rod, assembling	71	Type label	9
piston rod, disassembling	66	W	
rebound damping, adjusting	57	Warranty	8
removing	60	Wiring diagram	226-237
riding sag, checking	58	page 1 of 3	226, 232
seal ring retainer, assembling	71	page 2 of 3	228, 234
seal ring retainer, disassembling	67	page 3 of 3	230, 236
shock absorber, servicing	64	Work rules	7
spring preload, adjusting	59		
spring, installing	78-79		
spring, removing	64		
static sag, checking	58		
Shock absorber linkage			
checking	62		
Spare parts	8		
Spark plug connector			
checking	209		
Spoke tension			
checking	99		
Start number plate			
installing	97		
removing	96		
Starter motor			
checking	211		
Starter relay			
checking	112		
Starting	11		
for checking	11		
Stator			
installing	210		
removing	210		
Steering head bearing			
greasing	49		
Steering head bearing play			
adjusting	52		
checking	51		



3206145en

06/2013



KTM